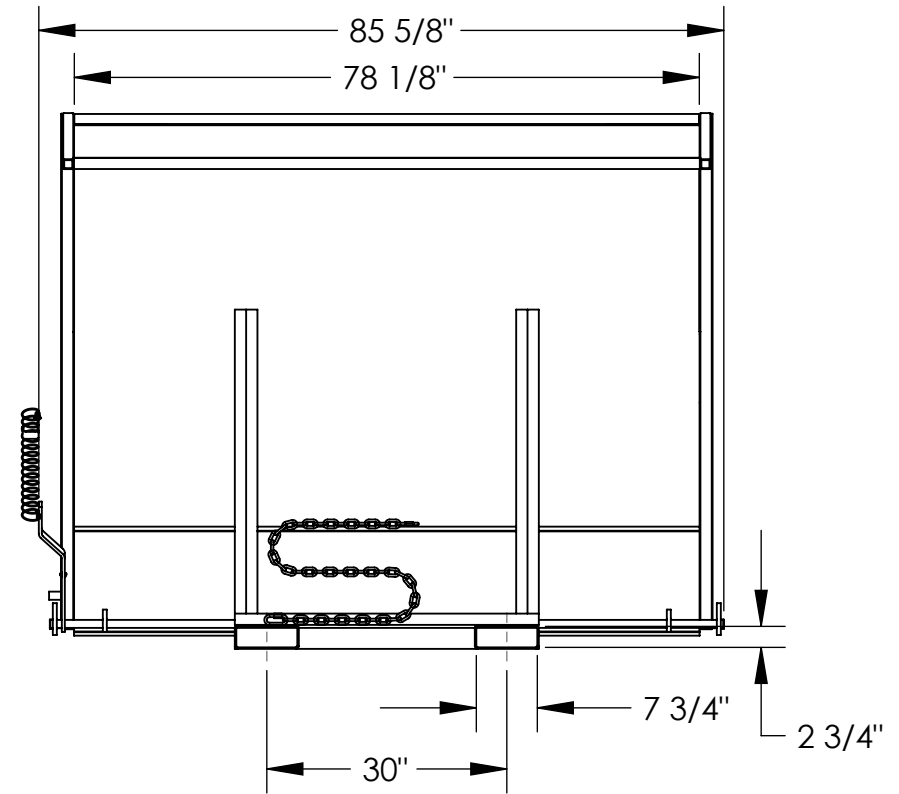
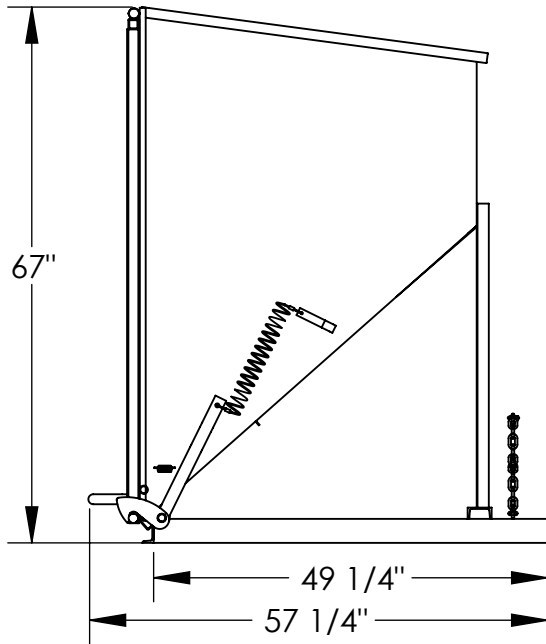


STEEL CHUTE HOPPER - C-HOP-300

APPROX WEIGHT: 794.87 lbs.
DOES NOT INCLUDE WEIGHT OF POWER OR PACKAGING!!!

*** ANY ADDITIONS, DELETIONS, OR OMISSIONS MUST BE CORRECTED ON THIS DRAWING AS THIS DRAWING WILL BE CONSIDERED ALL INCLUSIVE ***

ALL GRAPHICS PROVIDED ARE FOR REFERENCE ONLY. IF CERTAIN DIMENSIONS ARE CRITICAL PLEASE VERIFY THOSE DIMENSIONS WITH YOUR SALESPERSON



STANDARD FEATURES

- CAPACITY: 2,000 LBS.
- VOLUME: 3 CUBIC YARDS
- OVERALL WIDTH: 85 5/8"
- OVERALL LENGTH: 57 1/4"
- OVERALL HEIGHT: 67"
- FORK POCKETS ARE 7 3/4" W x 2 3/4" H USABLE
- ON 30" CENTERS AND ARE 49 1/4" LONG
- PULL CABLE RELEASE
- AUTOMATIC DOOR RETURN AND LATCH
- SAFTY CHAIN TO SECURE TO TRUCK
- PAINTED BLUE

SPECIAL FEATURES

NONE

NEVER EXCEED LOAD CENTER RATING PER FORK TRUCK MANUFACTURER'S GUIDELINES.
DO NOT USE THIS FORK TRUCK ATTACHMENT IF LOAD WILL EXCEED FORK TRUCK MANUFACTURER'S LOAD CENTER RATING.

APPROVAL	I, THE UNDERSIGNED, AGREE THAT THE PRODUCT AS REPRESENTED SATISFIES DESIGN AND DIMENSION REQUIREMENTS. I ALSO ACKNOWLEDGE MY DUTY TO CONFIRM PRODUCT AND INSTALLATION COMPLIANCE WITH ALL APPLICABLE FEDERAL, STATE AND LOCAL REGULATIONS AND STANDARDS.	
	ALL SPECIAL UNITS ARE NON-RETURNABLE [] As drawn [] As marked	
Signed: _____		Date: _____
LEAD TIME WILL START UPON RECEIPT OF SIGNED APPROVAL DRAWING		

DISTRIBUTOR'S NAME:		P.O.#
		X
		W.O.#
		X
DRAWN BY:	DATE:	SCALE: 1:24
X	XX/XX/XX	
REFERENCE:	QUOTE #	FILE NAME:
X	X	37-007-046