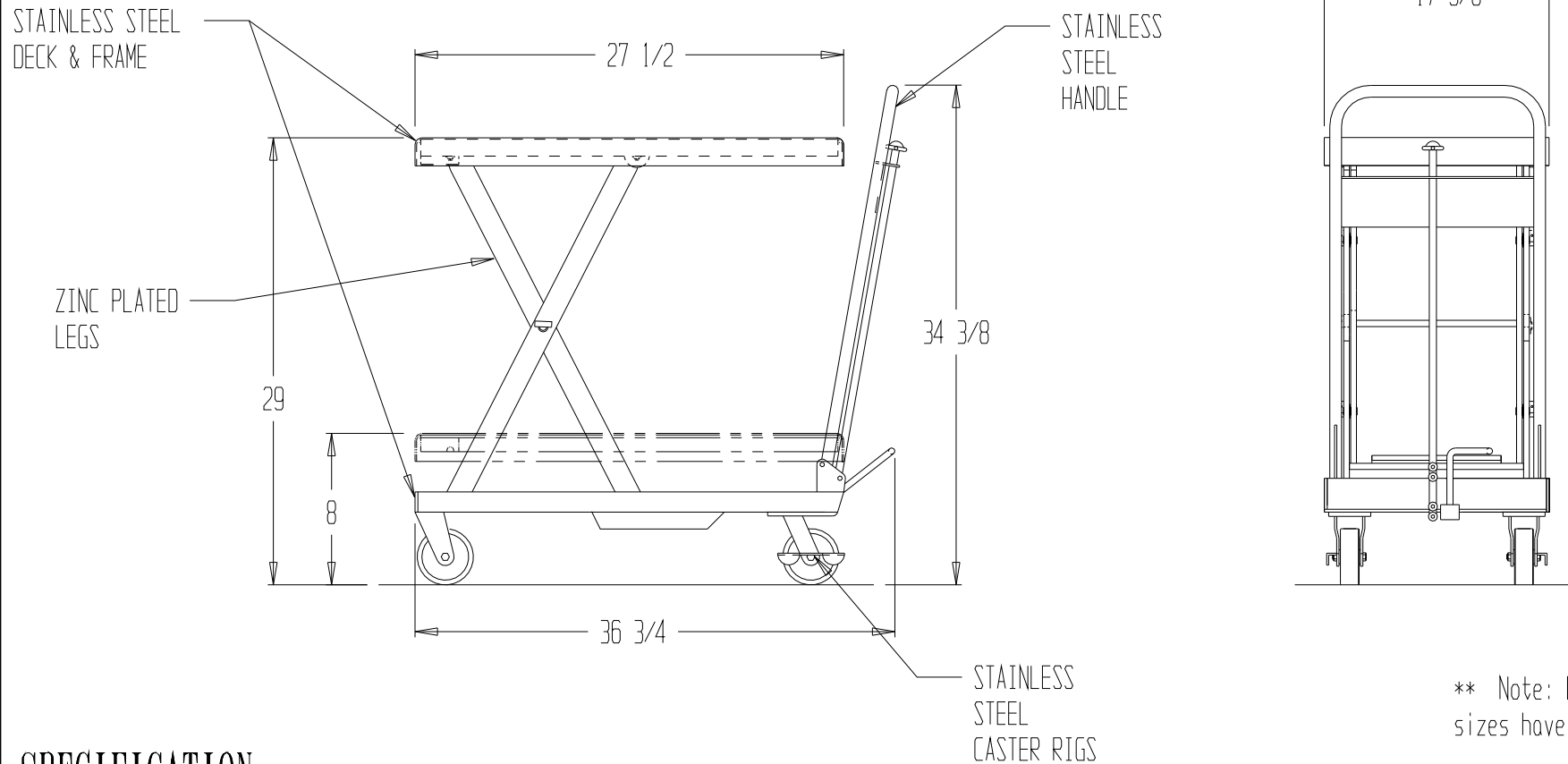


# HYDRAULIC ELEVATING CART - CART-400-PSS

\*SCISSOR LEGS, CASTERS, FOOT PUMP, & HYDRAULIC COMPONENTS ARE NOT STAINLESS STEEL\*



\*\* Note: Over all dimensions & deck sizes have a +/- 1/4" tolerance. \*\*

## SPECIFICATION:

MODEL NUMBER CART-400-PSS  
 PLATFORM IS 17 5/8" WIDE x 27 1/2" LONG  
 LOWERED HEIGHT IS 8" / RAISED HEIGHT IS 29"  
 CAPACITY IS 400 POUNDS (EVENLY DISTRIBUTED)  
 20 PUMPS TO COMPLETELY RAISE (SINGLE SPEED FOOT PUMP)  
 TWO 4" x 1 1/4" SWIVEL & TWO 4" x 1 1/4" RIGID CASTERS  
 ALL STEEL CONSTRUCTION (ASTM A-36 MINIMUM)

Any additions, deletions or omissions must be corrected on this drawing, as this drawing will be considered all inclusive.

All graphics provided are for reference only. If certain dimensions are critical please verify those dimensions with your salesperson

**A** I, THE UNDERSIGNED, AGREE THAT THE PRODUCT AS REPRESENTED  
**P** SATISFIES DESIGN & DIMENSION REQUIREMENTS. I ALSO ACKNOWLEDGE  
**R** MY DUTY TO CONFIRM PRODUCT & INSTALLATION COMPLIANCE WITH ALL  
**O** APPLICABLE FEDERAL, STATE AND LOCAL REGULATIONS & STANDARDS.  
**V** **ALL SPECIAL UNITS ARE NON-RETURNABLE**  
**A** [ ] As drawn [ ] As marked  
**L** Signed: \_\_\_\_\_ Date: \_\_\_\_\_  
 LEAD TIME WILL START UPON RECEIPT OF SIGNED APPROVAL DRAWING

DISTRIBUTOR'S NAME:		P.O.#: _
		W.O.#: _
DRAWN BY: CA	DATE: 10/09/2013	SALES: _
REFERENCE: -	SCALE: _	DRWG./FILE NAME:
QUOTED LEADTIME: _	QUOTE #: _	CART-400-PSS

## SPECIAL FEATURES

NONE