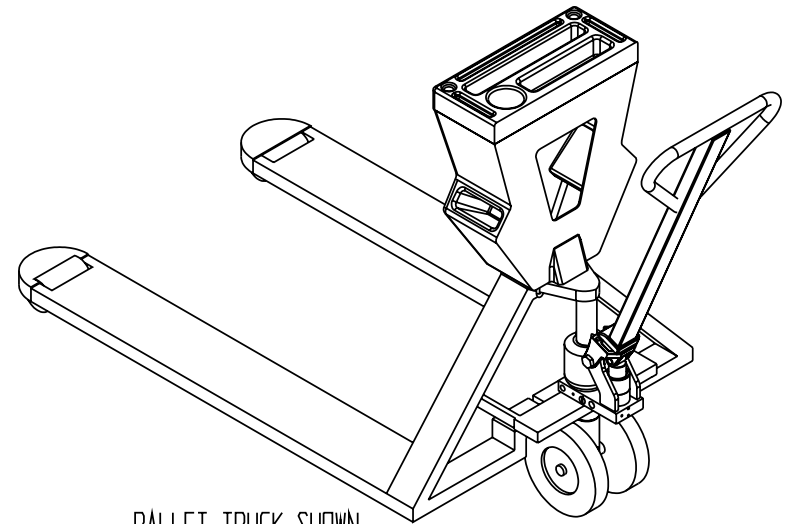
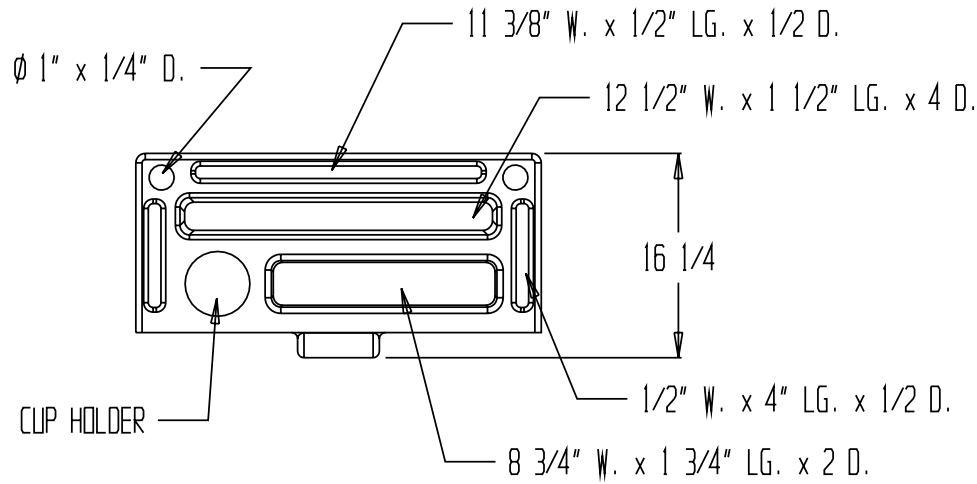


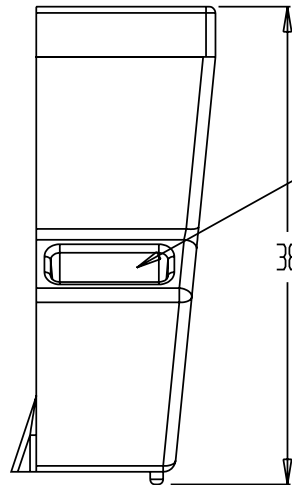
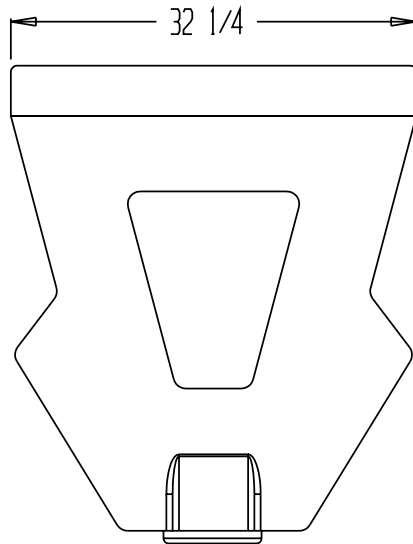
**SPECIAL UNITS ARE NON-RETURNABLE
 *AVAILABLE AT ADDITIONAL COSTS

PALLET CADDY, P-CADDY



PALLET TRUCK SHOWN
 FOR REFERENCE ONLY

LEAD TIME WILL START UPON
 RECEIPT OF SIGNED APPROVAL
 DRAWING



STANDARD FEATURES

MODEL NUMBER: P-CADDY
 OVERALL WIDTH: $32 \ 1/4"$
 OVERALL HEIGHT: 38"
 OVERALL DEPTH: $16 \ 1/4"$

SPECIAL FEATURES

NONE

APPROVAL

I, the undersigned, hereby approve this print
 As drawn As marked
 This includes my approval of design & dimensions.
 Signed: _____
 Date: _____

**Any additions, deletions or omissions must
 be corrected on this drawing, as this drawing
 will be considered all inclusive.**

*** ALL GRAPHICS PROVIDED ARE FOR REFERENCE ONLY.
 IF CERTAIN DIMENSIONS ARE CRITICAL PLEASE VERIFY
 THOSE DIMENSIONS WITH YOUR SALESPERSON. ***