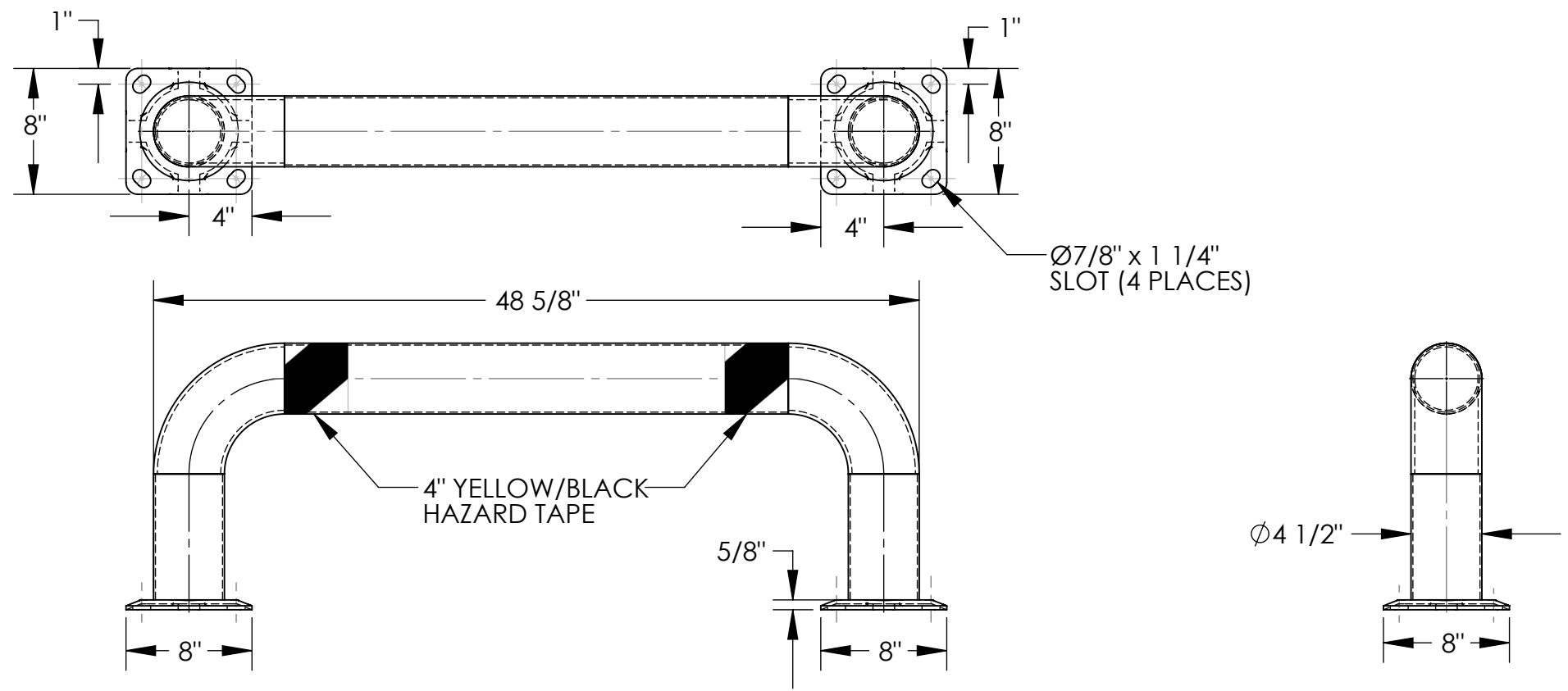


# LOW PROFILE MACHINE GUARD - LPRO-SS-48-16-4 APPROX WEIGHT IS: 48.96 lbs.

\*\*\* ANY ADDITIONS, DELETIONS, OR OMISSIONS MUST BE CORRECTED ON THIS DRAWING AS THIS IS FOR REFERENCE ONLY. IF CERTAIN DIMENSIONS ARE CRITICAL PLEASE VERIFY THOSE DIMENSIONS



## STANDARD FEATURES

MODEL NUMBER IS LPRO-SS-48-16-4  
 MACHINE GUARD HEIGHT: 16 15/16 +/- 1/4"  
 MACHINE GUARD LENGTH: 48 5/8"  
 MACHINE GUARD PIPE DIA: 4 1/2"  
 COMES EQUIPPED WITH A LAG DOWN BRACKET  
 MATERIAL / FINISH: STAINLESS STEEL  
 4" YELLOW AND BLACK HAZARD TAPE

WELDING MEETS AWS  
 WARNING: CHECK APPLICABLE  
 STATE AND LOCAL LAWS  
 FOR YOUR AREA

## SPECIAL FEATURES

NONE

ALL SPECIAL UNITS  
 ARE NON-RETURNABLE

I, the undersigned, hereby approve this print.  
 This includes my approval of design & dimensions

[ ] As drawn [ ] As marked

Signed: \_\_\_\_\_ Date: \_\_\_\_\_

LEAD TIME WILL START UPON RECEIPT  
 OF SIGNED APPROVAL DRAWING

DRAWN BY: ND			DATE: 6/2/05	SCALE: 1:10	P.O.# X
REFERENCE: X			QUOTE # X		W.O.# X
					SALES: X
					FILE NAME: 23-007-060-001