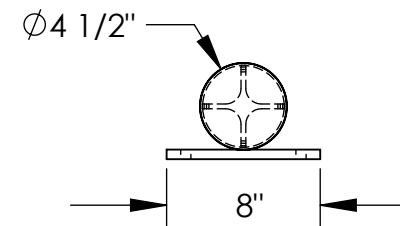
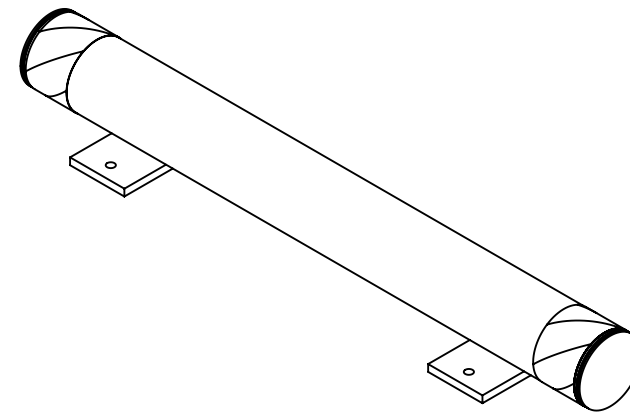
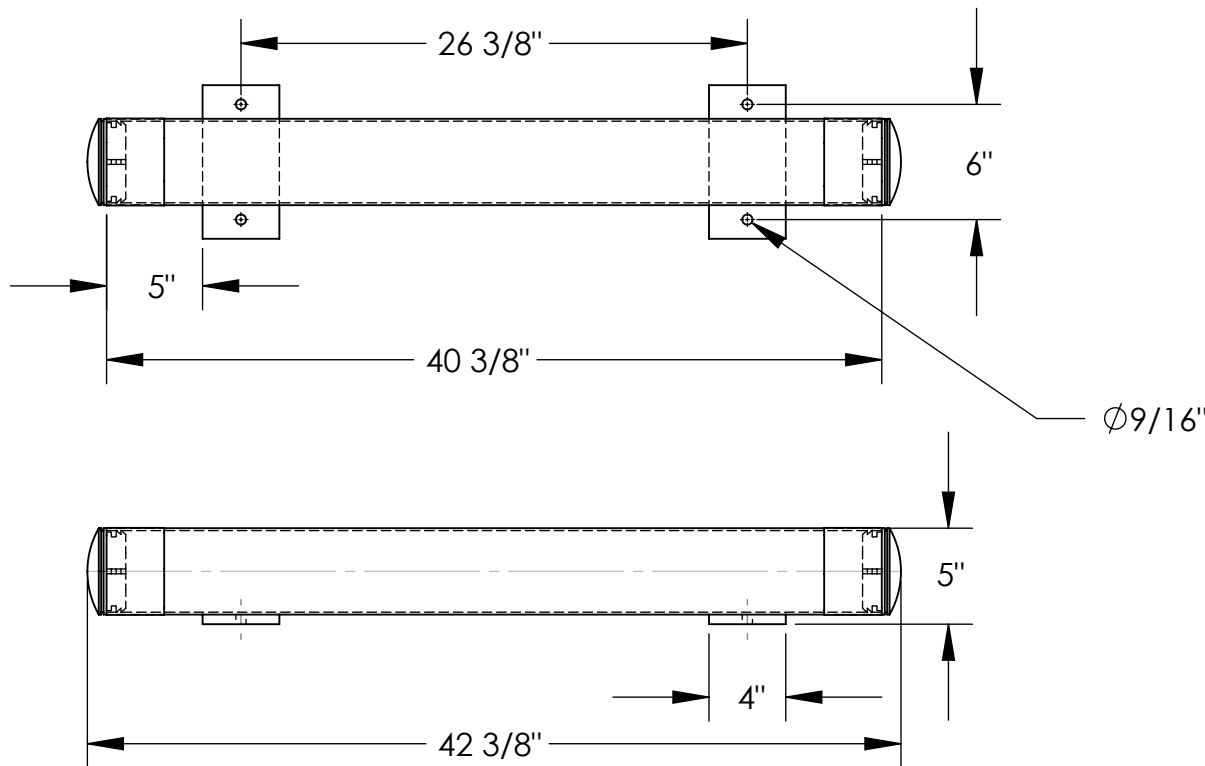


FLOOR STOP BOLLARD- FSBOL-42

APPROX WEIGHT: 29.43 lbs.
 DOES NOT INCLUDE WEIGHT OF POWER OR PACKAGING!!!

*** ANY ADDITIONS, DELETIONS, OR OMISSIONS MUST BE CORRECTED ON THIS DRAWING AS THIS DRAWING WILL BE CONSIDERED ALL INCLUSIVE ***

ALL GRAPHICS PROVIDED ARE FOR REFERENCE ONLY. IF CERTAIN DIMENSIONS ARE CRITICAL PLEASE VERIFY THOSE DIMENSIONS WITH YOUR SALESPERSON



DIMENSION TOLERANCE $\pm 1/4"$

STANDARD FEATURES

- MODEL NUMBER IS: FSBOL-42
- OVERALL LENGTH IS: 42 3/8"
- OVERALL WIDTH IS: 8"
- OVERALL HEIGHT IS: 5"
- PIPE DIAMETER IS: 4 1/2"
- PAINTED SAFETY YELLOW FOR HIGH VISIBILITY
- SAFETY BLACK AND YELLOW TAPE
- REMOVABLE END CAPS

SPECIAL FEATURES

NONE

APPROVAL	I, THE UNDERSIGNED, AGREE THAT THE PRODUCT AS REPRESENTED SATISFIES DESIGN AND DIMENSION REQUIREMENTS. I ALSO ACKNOWLEDGE MY DUTY TO CONFIRM PRODUCT AND INSTALLATION COMPLIANCE WITH ALL APPLICABLE FEDERAL, STATE AND LOCAL REGULATIONS AND STANDARDS.	
	ALL SPECIAL UNITS ARE NON-RETURNABLE <input type="checkbox"/> As drawn <input type="checkbox"/> As marked	
Signed: _____		Date: _____
LEAD TIME WILL START UPON RECEIPT OF SIGNED APPROVAL DRAWING		

DISTRIBUTOR'S NAME:		P.O.#	X
		W.O.#	X
DRAWN BY:	TJM	DATE:	03/10/08
REFERENCE:	X	SCALE:	1:10
QUOTED LEAD TIME:	X	QUOTE #	X
			FILE NAME:
			23-007-240