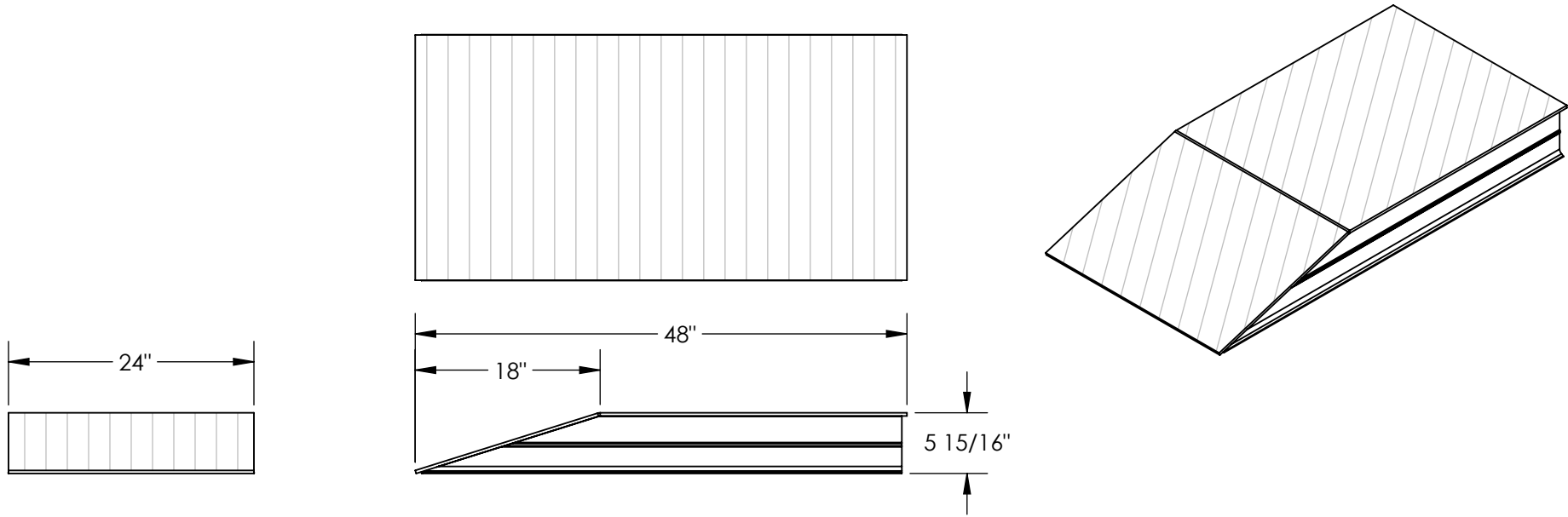


# ALUMINUM WHEEL RISER - ATWR-24-6-48

APPROX WEIGHT: 60.32 lbs.  
 DOES NOT INCLUDE WEIGHT OF POWER OR PACKAGING!!!

\*\*\* ANY ADDITIONS, DELETIONS, OR OMISSIONS MUST BE CORRECTED ON THIS DRAWING AS THIS DRAWING WILL BE CONSIDERED ALL INCLUSIVE \*\*\*

ALL GRAPHICS PROVIDED ARE FOR REFERENCE ONLY. IF CERTAIN DIMENSIONS ARE CRITICAL PLEASE VERIFY THOSE DIMENSIONS WITH YOUR SALESPERSON



## STANDARD FEATURES

- MODEL NUMBER IS ATWR-24-6-48
- OVERALL WIDTH IS 24"
- OVERALL LENGTH IS 48"
- OVERALL HEIGHT IS 5 15/16"
- ANGLED APPROACH LENGTH IS 18"
- MAX UNIFORM CAPACITY IS 30,000 LBS PER PAIR
- ALL WELDED ALUMINUM CONSTRUCTION
- HEAVY DUTY ALUMINUM TREAD PLATE TOP SURFACES

## SPECIAL FEATURES

NONE

<b>A P P R O V A L</b>	I, THE UNDERSIGNED, AGREE THAT THE PRODUCT AS REPRESENTED SATISFIES DESIGN AND DIMENSION REQUIREMENTS. I ALSO ACKNOWLEDGE MY DUTY TO CONFIRM PRODUCT AND INSTALLATION COMPLIANCE WITH ALL APPLICABLE FEDERAL, STATE AND LOCAL REGULATIONS AND STANDARDS.	
	<b>ALL SPECIAL UNITS ARE NON-RETURNABLE</b> <input type="checkbox"/> As drawn <input type="checkbox"/> As marked	
Signed: _____		Date: _____
<b>LEAD TIME WILL START UPON RECEIPT OF SIGNED APPROVAL DRAWING</b>		

DISTRIBUTOR'S NAME:		P.O.# X
DRAWN BY:		W.O.# X
DATE: 9/24/13	SALES: X	
REFERENCE: X	SCALE: 1:16	FILE NAME:
QUOTED LEAD TIME: X	QUOTE # X	18-007-158