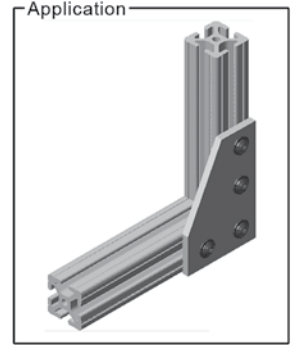
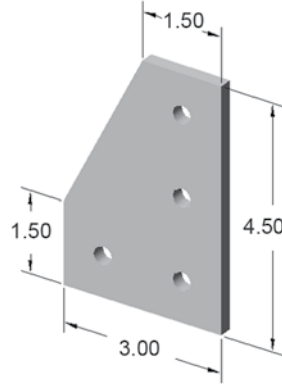
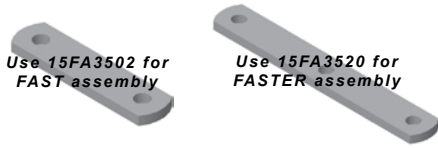


15JP4505

4 HOLE 90° JOINING PLATE



Part weight: .265 lbs

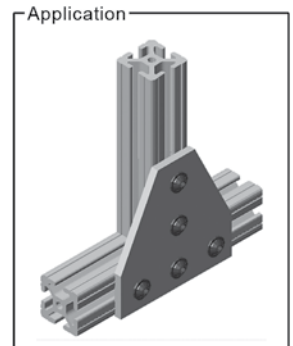
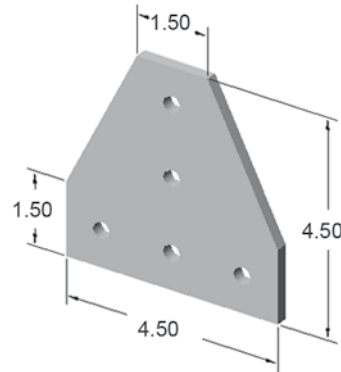
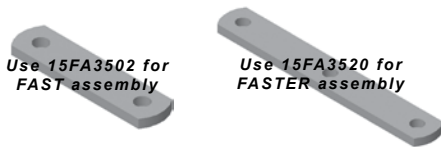
RECOMMENDED HARDWARE

QTY	DESCRIPTION	PART NO.
4	5/16-18 x 5/8 FBHSCS	13FA3331
4	5/16-18 ECONOMY T-NUT	15FA3501

See pages 30-36 for additional fasteners & T-nuts

15JP4506

5 HOLE TEE JOINING PLATE



Part weight: .370 lbs

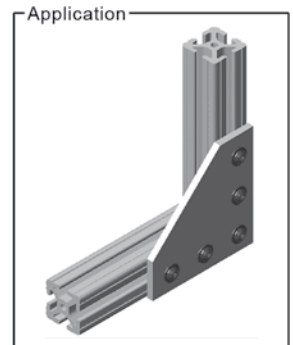
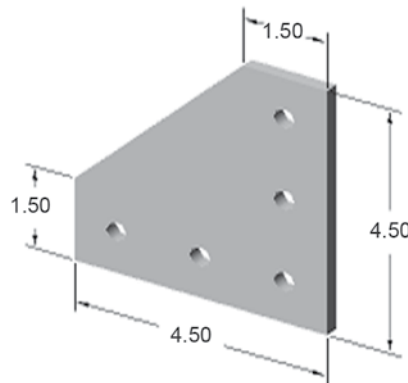
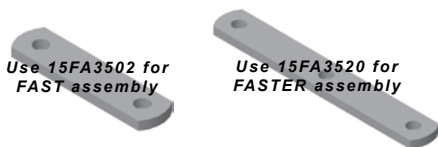
RECOMMENDED HARDWARE

QTY	DESCRIPTION	PART NO.
5	5/16-18 x 5/8 FBHSCS	13FA3331
5	5/16-18 ECONOMY T-NUT	15FA3501

See pages 30-36 for additional fasteners & T-nuts

15JP4507

5 HOLE 90° JOINING PLATE



Part weight: .375 lbs

RECOMMENDED HARDWARE

QTY	DESCRIPTION	PART NO.
5	5/16-18 x 5/8 FBHSCS	13FA3331
5	5/16-18 ECONOMY T-NUT	15FA3501

See pages 30-36 for additional fasteners & T-nuts