

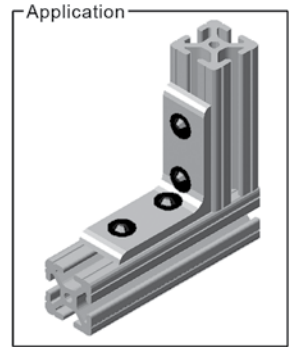
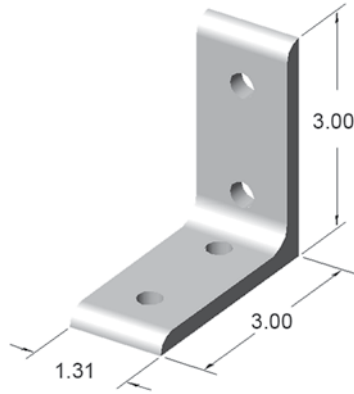


15CB4804

4 HOLE INSIDE CORNER BRACKET



Use 15FA3502 for FAST assembly



Part weight: .170 lbs

RECOMMENDED HARDWARE

QTY	DESCRIPTION	PART NO.
4	5/16-18 x 5/8 FBHSCS	13FA3331
4	5/16-18 ECONOMY T-NUT	15FA3501

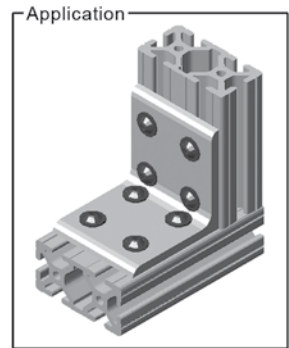
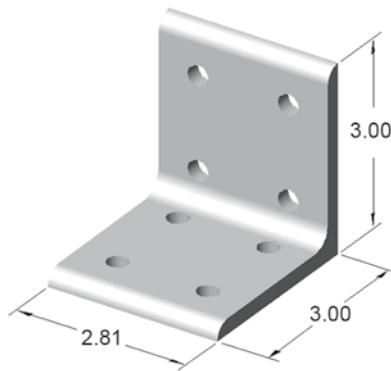
See pages 30-36 for additional fasteners & T-nuts

15CB4805

8 HOLE INSIDE CORNER BRACKET



Use 15FA3502 for FAST assembly



Part weight: .365 lbs

RECOMMENDED HARDWARE

QTY	DESCRIPTION	PART NO.
8	5/16-18 x 5/8 FBHSCS	13FA3331
8	5/16-18 ECONOMY T-NUT	15FA3501

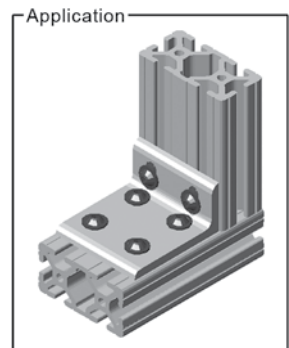
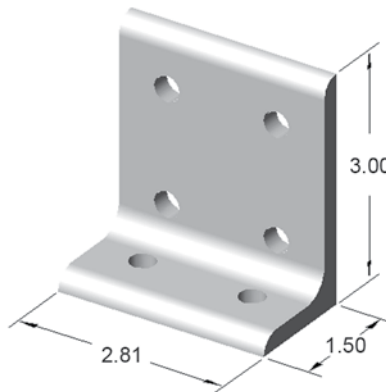
See pages 30-36 for additional fasteners & T-nuts

15CB4806

6 HOLE INSIDE CORNER BRACKET



Use 15FA3502 for FAST assembly



Part weight: .285 lbs

RECOMMENDED HARDWARE

QTY	DESCRIPTION	PART NO.
6	5/16-18 x 5/8 FBHSCS	13FA3331
6	5/16-18 ECONOMY T-NUT	15FA3501

See pages 30-.36 for additional fasteners & T-nuts