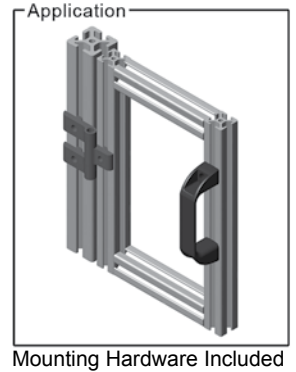
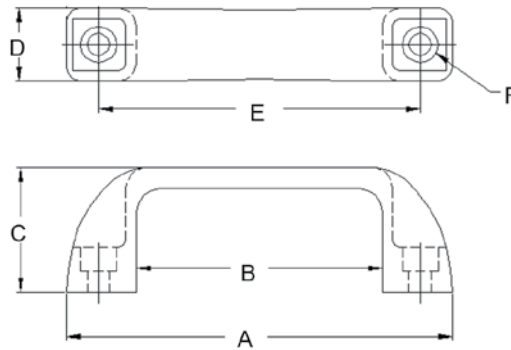




Door Handles



- Black glass-fiber reinforced technopolymer
- Bolts directly to t-slot frame or panels
- Chemical resistant
- Lightweight



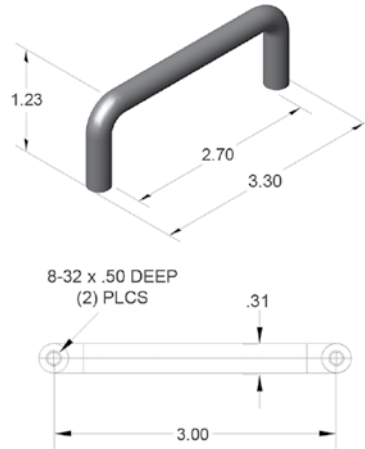
Plastic Door Handles

PART NO.	DESCRIPTION	A	B	C	D	E	F (HARDWARE)
13AC7300*	SMALL DOOR HANDLE	4.41	2.95	1.41	0.83	3.68	1/4" SHCS
13AC7301**	MEDIUM DOOR HANDLE	5.47	3.79	1.61	1.02	4.61	5/16" SHCS
13AC7302**	LARGE DOOR HANDLE	8.03	6.25	1.97	1.10	7.05	5/16" SHCS

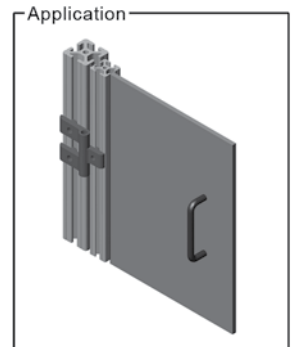
*10 Series only **15 Series only

13AC7305*

STEEL DOOR HANDLE

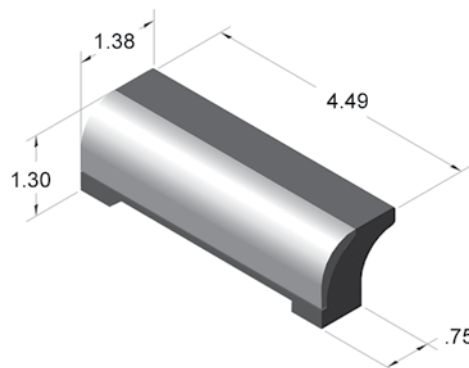


- Hardware included
- For use with plastic panels
- Economical
- Lightweight

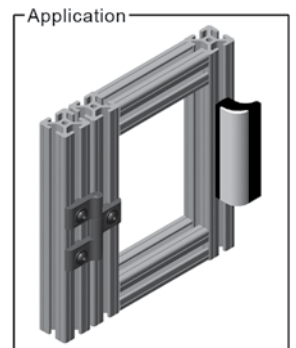


13AC7327*

GUARD SAFETY DOOR HANDLE



- Drilled and countersunk for 1/4" FHSCS
- Safety yellow cap snaps over screws
- Clean, flush appearance



elesa