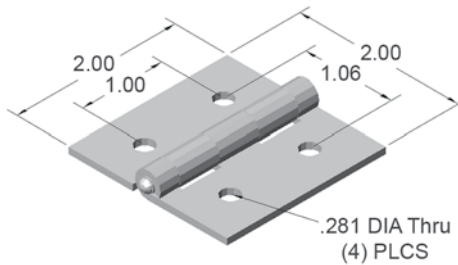




10HI8216

ALUMINUM BUTT HINGE

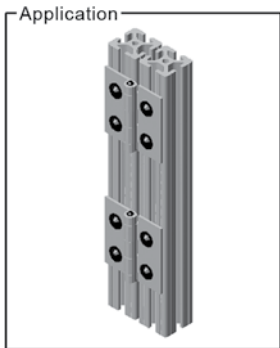


- 50 lb. load capacity per hinge
- Clear anodized aluminum hinge with steel pin

RECOMMENDED HARDWARE

QTY	DESCRIPTION	PART NO.
4	1/4-20 x 3/8 FBHSCS	13FA3308
2	1/4-20 DOUBLE T-NUT	10FA3122

See pages 154-157 for additional fasteners & T-nuts

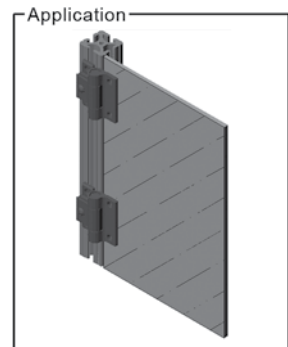
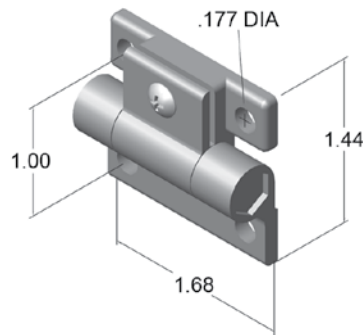


10HI8215

PLASTIC ADJUSTABLE HINGE



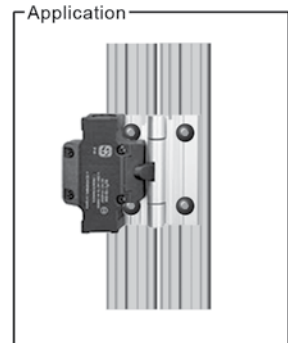
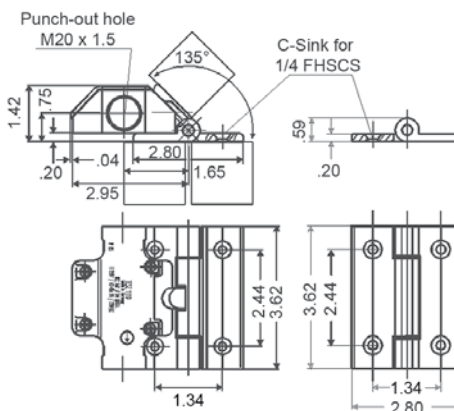
Not to be used to hinge two extrusions together



- Use to hang an unframed panel on extrusion frame
- Hardware included for mounting
- Black acetal plastic with polycarbonate pin

10HI8260*

SCHMERSAL HINGED INTERLOCK SWITCH



- Hardware included for mounting
- Tamper-resistant
- "Positive-Break" NC contacts
- Rugged construction
- Splashproof design

SCHMERSAL
Turning Workplaces into Safeplaces