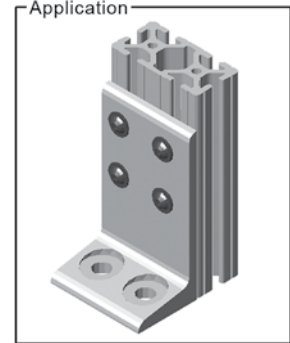
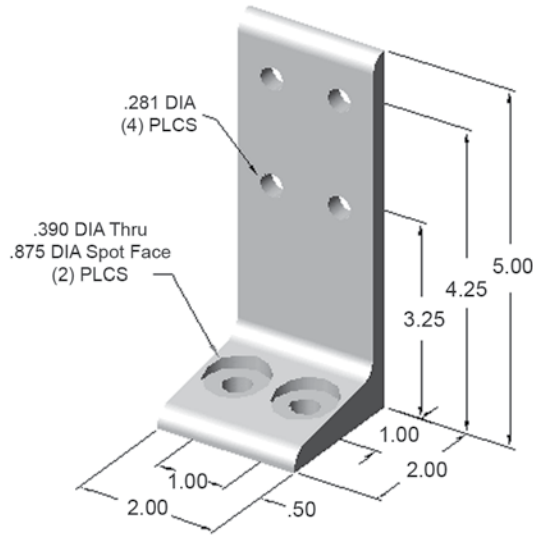




### 10FF5612

2.0" FLOOR MOUNT FOOT



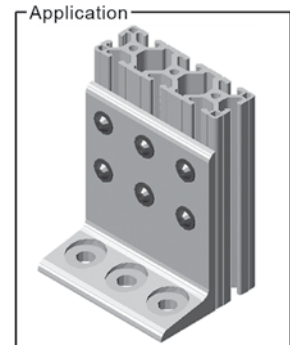
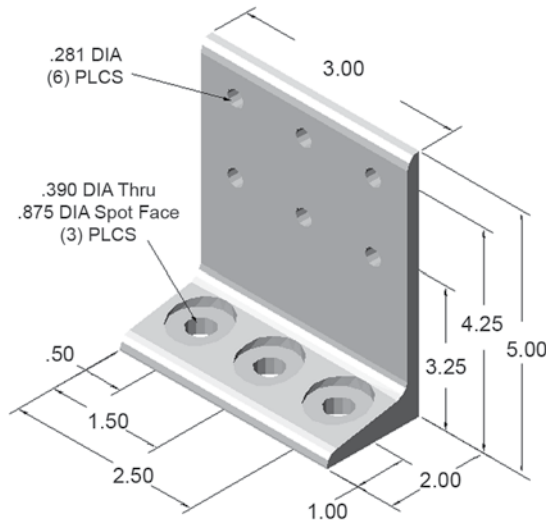
**RECOMMENDED HARDWARE**

QTY	DESCRIPTION	PART NO.
4	1/4-20 x 1/2 FBHSCS	13FA3309
4	1/4-20 ECONOMY T-NUT	10FA3121

See pages 154-157 for additional fasteners & T-nuts

### 10FF5613\*

3.0" FLOOR MOUNT FOOT



**RECOMMENDED HARDWARE**

QTY	DESCRIPTION	PART NO.
6	1/4-20 x 1/2 FBHSCS	13FA3309
6	1/4-20 ECONOMY T-NUT	10FA3121

See pages 154-157 for additional fasteners & T-nuts