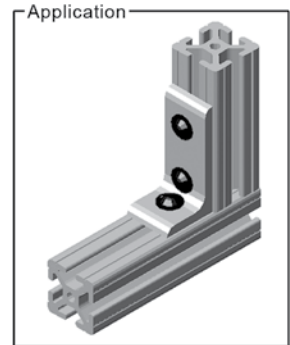
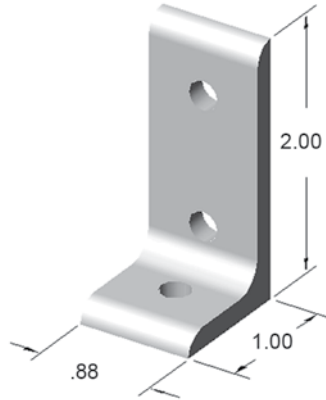




10CB4102

3 HOLE INSIDE CORNER BRACKET



Part weight: .040 lbs

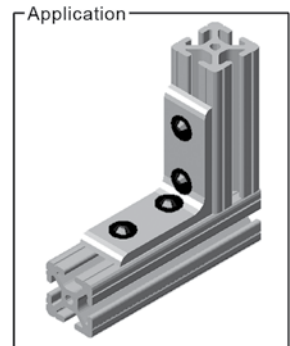
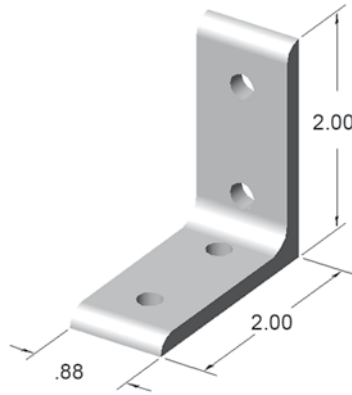
RECOMMENDED HARDWARE

QTY	DESCRIPTION	PART NO.
3	1/4-20 x 1/2 BHSCS	13FA3300
3	1/4-20 ECONOMY T-NUT	10FA3121

See pages 154-157 for additional fasteners & T-nuts

10CB4103

4 HOLE INSIDE CORNER BRACKET



Part weight: .055 lbs

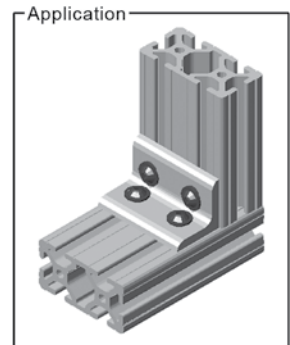
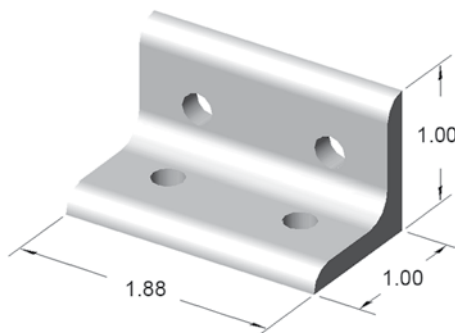
RECOMMENDED HARDWARE

QTY	DESCRIPTION	PART NO.
4	1/4-20 x 1/2 BHSCS	13FA3300
4	1/4-20 ECONOMY T-NUT	10FA3121

See pages 154-157 for additional fasteners & T-nuts

10CB4104

4 HOLE INSIDE CORNER BRACKET



Part weight: .055 lbs

RECOMMENDED HARDWARE

QTY	DESCRIPTION	PART NO.
4	1/4-20 x 1/2 BHSCS	13FA3300
4	1/4-20 ECONOMY T-NUT	10FA3121

See pages 154-157 for additional fasteners & T-nuts