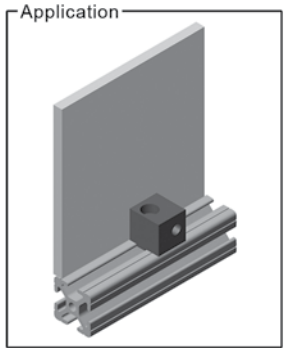
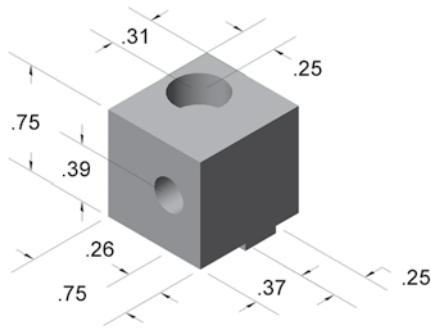




10AC7807*

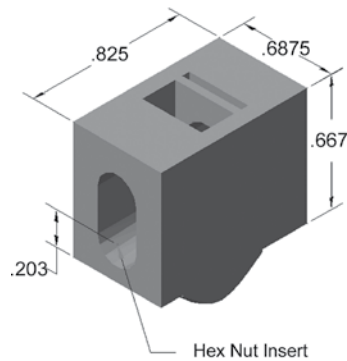
ALUMINUM PANEL MOUNT BLOCK



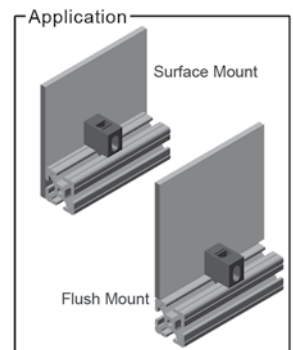
- Hardware included
- Aluminum construction

10AC7820

1/4 TURN PANEL MOUNT BLOCK
(1/4-20 HARDWARE)



To calculate panel size, subtract 0.13" from your inside width and inside length.



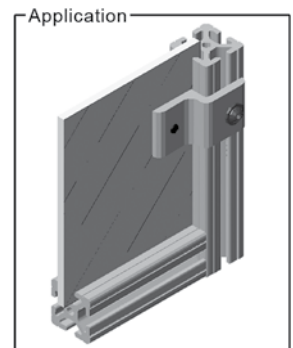
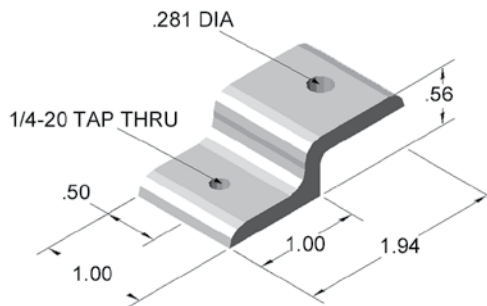
- Bolt kit included for panel mounting
- Black high strength nylon material
- Surface or flush mount option

10AC7810

1.0" PANEL RETAINER



Place panel retainers around the perimeter of the frame every 24" to properly secure the panel.



RECOMMENDED HARDWARE

QTY	DESCRIPTION	PART NO.
2	1/4-20 x 1/2 FBHSCS	13FA3309
1	1/4-20 ECONOMY T-NUT	10FA3121

See pages 154-157 for additional fasteners & T-nuts