

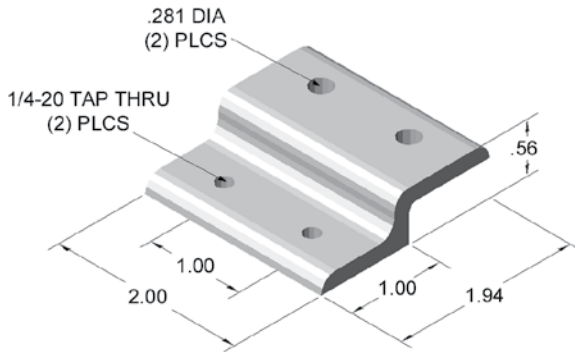


10AC7814*

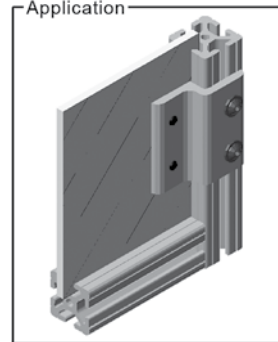
2.0" PANEL RETAINER



Place panel retainers around the perimeter of the frame every 24" to properly secure the panel.



Application



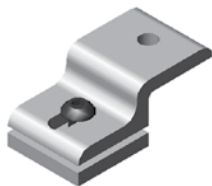
RECOMMENDED HARDWARE

QTY	DESCRIPTION	PART NO.
4	1/4-20 x 1/2 FBHSCS	13FA3309
1	1/4-20 ECONOMY T-NUT	10FA3121

See pages 154-157 for additional fasteners & T-nuts

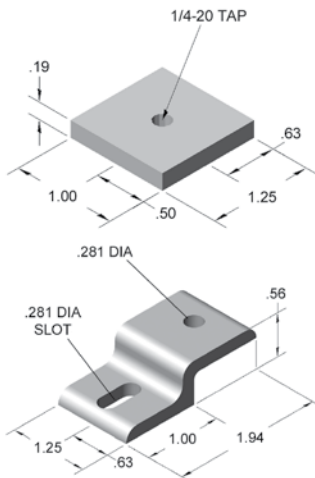
10AC7806

1.0" MESH RETAINER

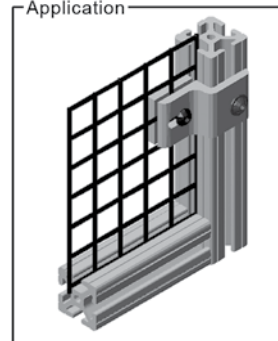


Place mesh retainers around the perimeter of the frame every 24" to properly secure the panel.

Component Dimensions:



Application



RECOMMENDED HARDWARE

QTY	DESCRIPTION	PART NO.
1	1/4-20 x 1/2 FBHSCS	13FA3309
1	1/4-20 ECONOMY T-NUT	10FA3121

See pages 154-157 for additional fasteners & T-nuts

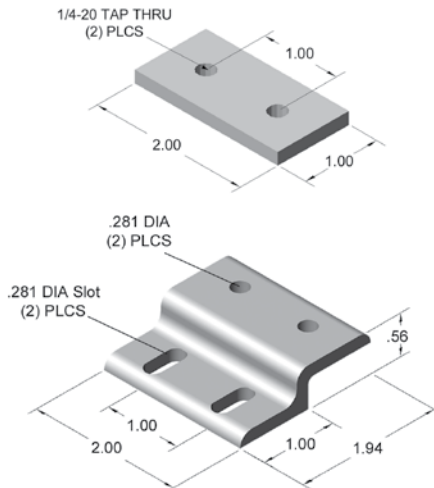
10AC7817*

2.0" MESH RETAINER

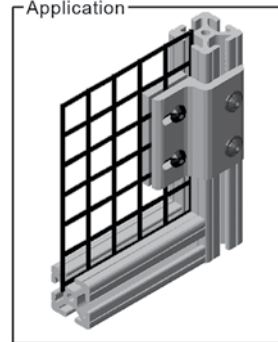


Place mesh retainers around the perimeter of the frame every 24" to properly secure the panel.

Component Dimensions:



Application



RECOMMENDED HARDWARE

QTY	DESCRIPTION	PART NO.
2	1/4-20 x 1/2 FBHSCS	13FA3309
1	1/4-20 ECONOMY T-NUT	10FA3121

See pages 154-157 for additional fasteners & T-nuts