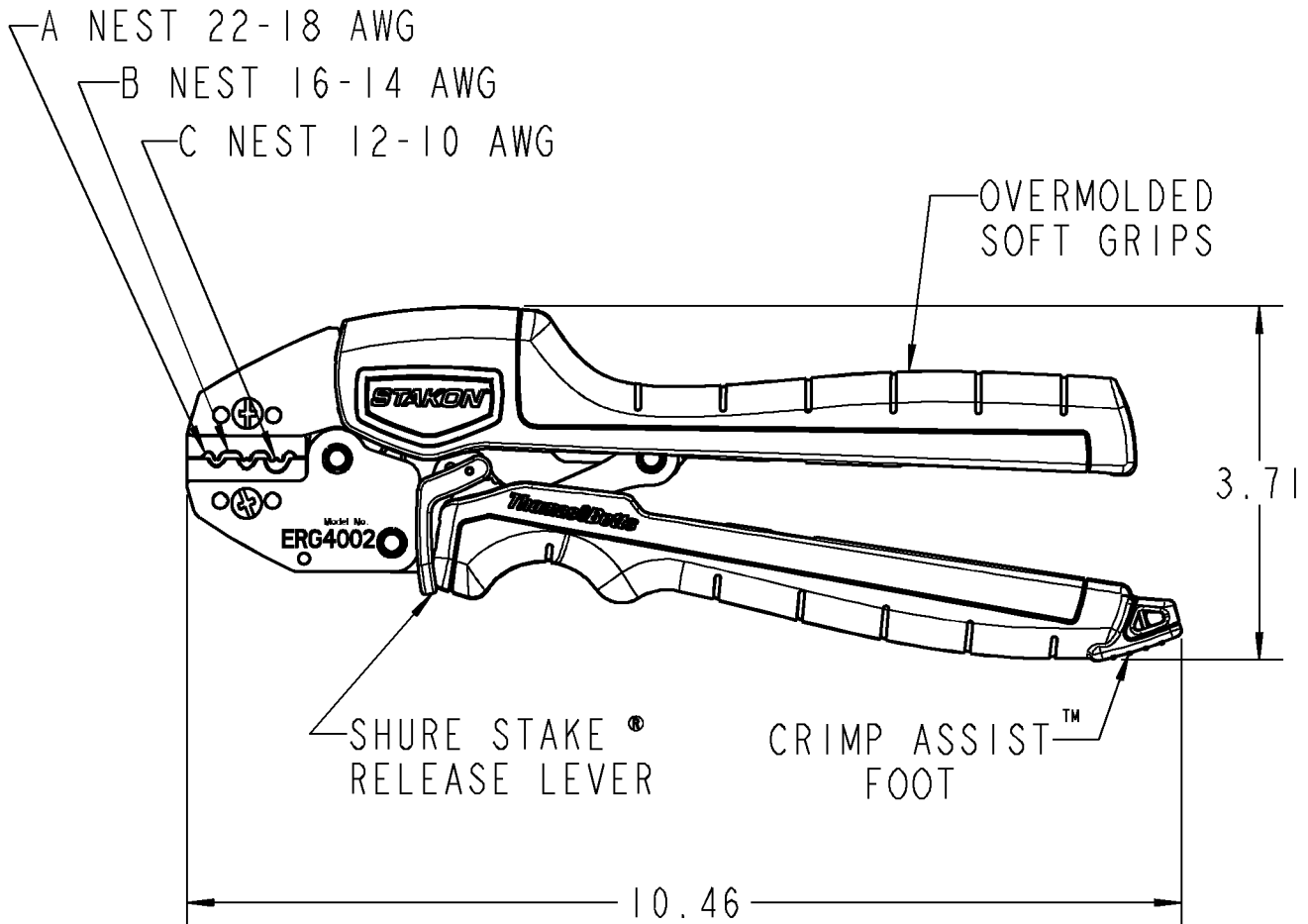




FOR INSTALLING STA-KON® NON-INSULATED
 TERMINALS, DISCONNECTS, AND SPLICES
 ON COPPER WIRE, 22-10 AWG



CAUTION: HANDLES NON-INSULATING,
 DO NOT CRIMP ENERGIZED WIRES

GENERAL NOTES		 			
1. ALL DIMENSIONS ARE FOR REFERENCE ONLY. 2. DIMENSIONS IN BRACKETS [] ARE IN METRIC UNITS.					
REVISIONS		DESCRIPTION ERG4002 COMFORT CRIMP® COMPRESSION TOOL WITH SHURE STAKE® MECHANISM			
** SEE ERN (****) FOR APPROVAL SIGNATURES & RELEASE DATE. PROJECT NO: ****		ORIGINAL PROJECT NO / (ERN NO)	SHEET NO:	REV. NO:	DRAWING NO:
		TD55632 / (2010868)	1 OF 1	-	WSD-000497