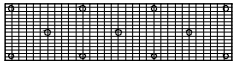


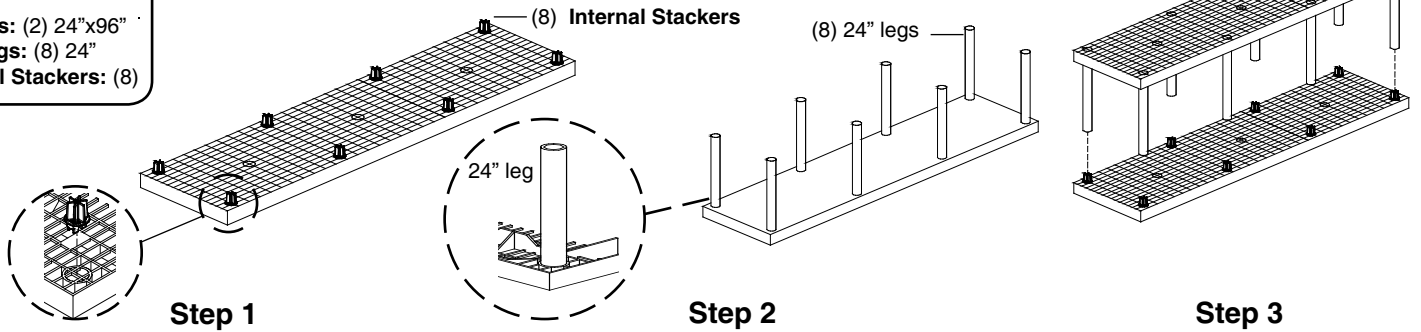
S9624B and ST9624B

Available in Grid or Solid Top

COMPONENTS:
2-Shelf System

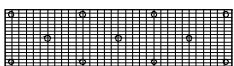


Panels: (2) 24"x96"
Legs: (8) 24"
Internal Stackers: (8)

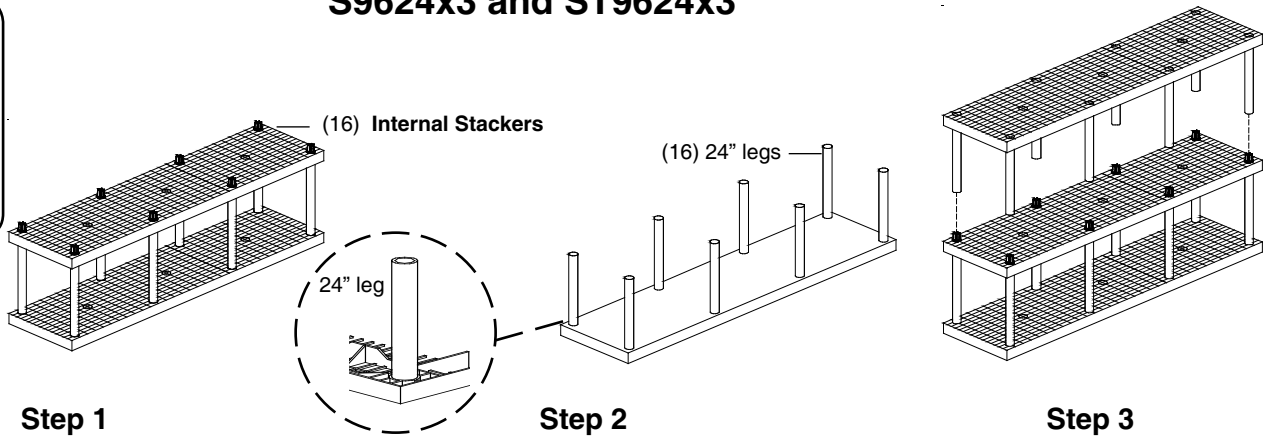


S9624x3 and ST9624x3

COMPONENTS:
3-Shelf System

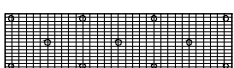


Panels: (3) 24"x96"
Legs: (16) 24"
Internal Stackers: (16)

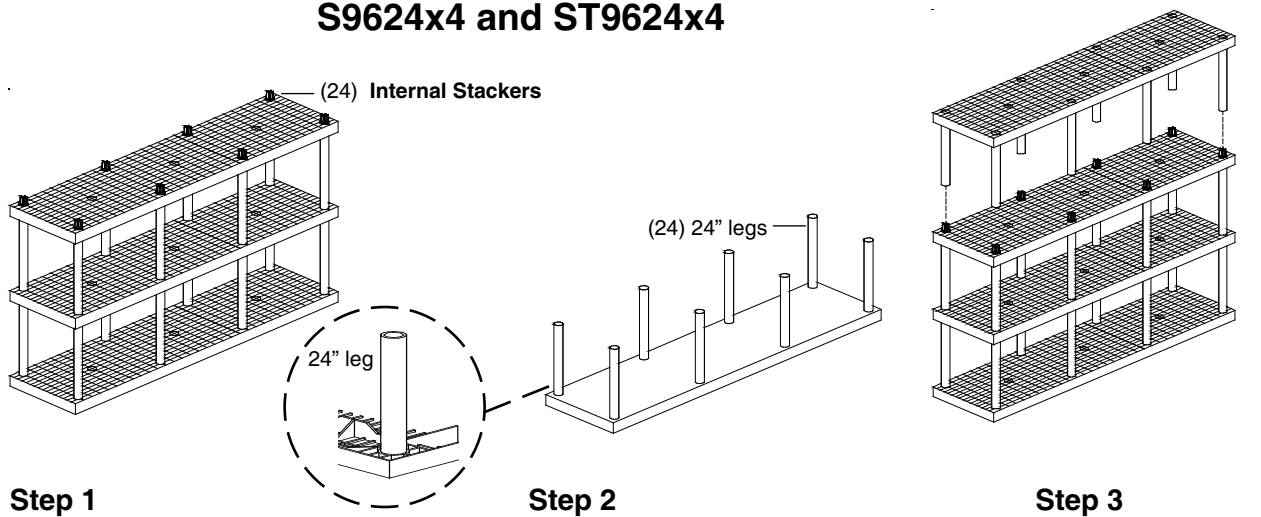


S9624x4 and ST9624x4

COMPONENTS:
4-Shelf System



Panels: (4) 24"x96"
Legs: (24) 24"
Internal Stackers: (24)



Step 1

Lay one of the shelf panels on the floor and insert leg stackers over outside sockets as shown.

Step 2

Invert the next level panel and insert **24" posts** into the sockets as shown.

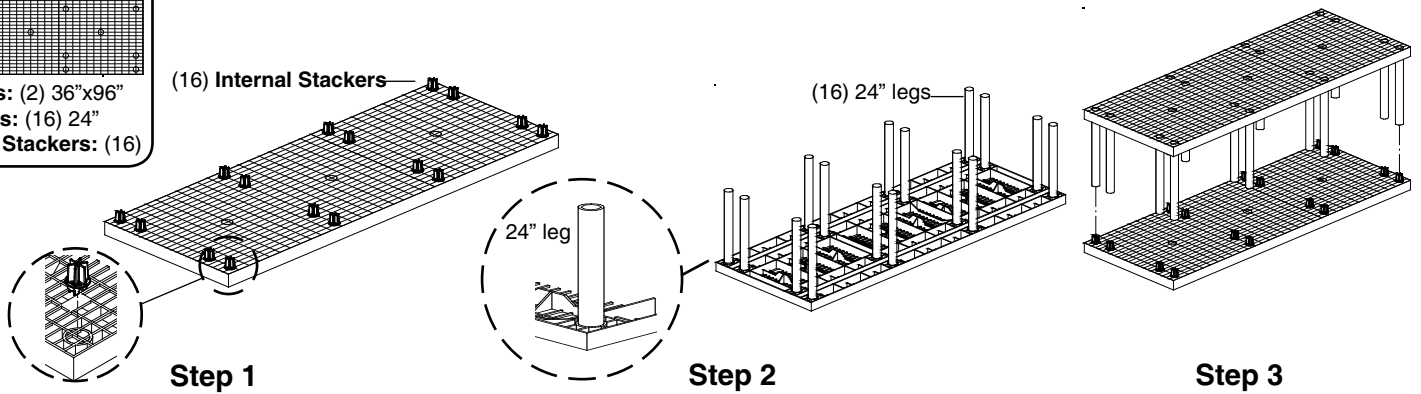
Step 3

Return panel with the **24" posts** to upright position. Align posts over **Leg Stackers** and push all the way down until leg stackers are inserted into posts. Repeat steps 1 through 3 for multi-shelf configurations.

S9636B and ST9636B

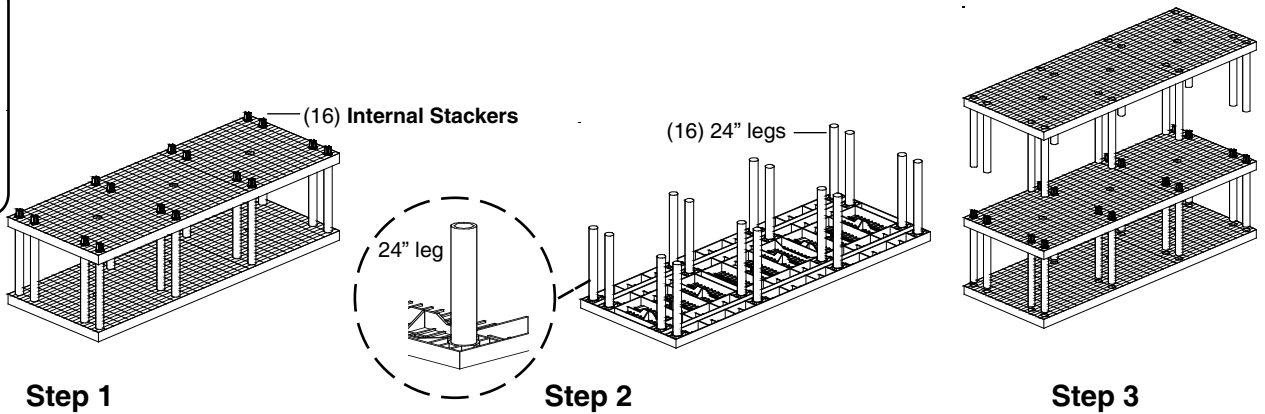
Available in Grid or Solid Top

COMPONENTS:
2-Shelf System
Panels: (2) 36"x96"
Legs: (16) 24"
Internal Stackers: (16)



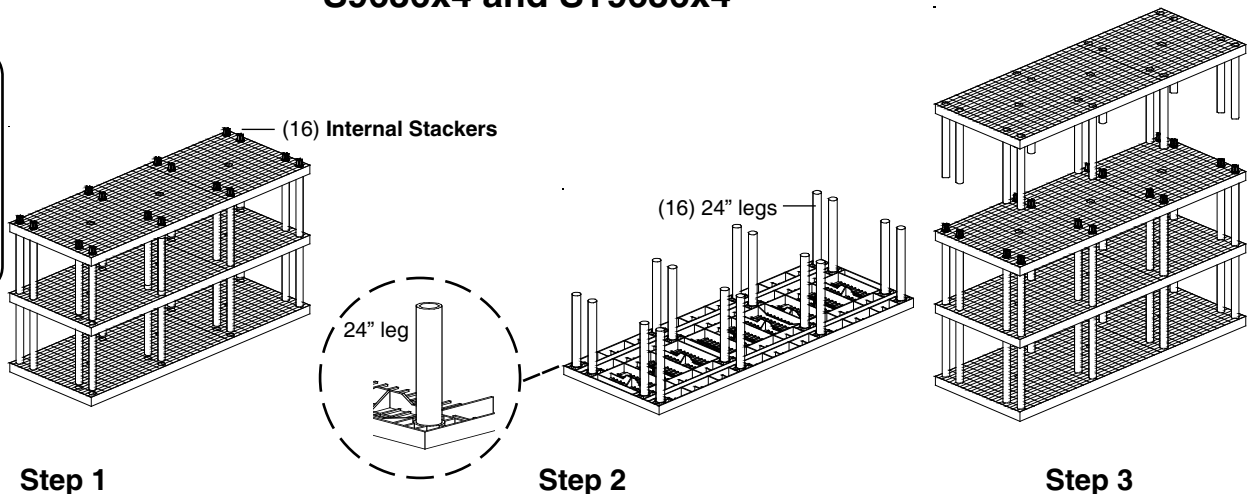
S9636x3 and ST9636Bx3

COMPONENTS:
3-Shelf System
Panels: (3) 36"x96"
Legs: (32) 24"
Internal Stackers: (32)



S9636x4 and ST9636x4

COMPONENTS:
4-Shelf System
Panels: (4) 36"x96"
Legs: (48) 24"
Internal Stackers: (48)



Step 1

Lay one of the shelf panels on the floor and insert leg stackers over outside sockets as shown.

Step 2

Invert the next level panel and insert 24" posts into the sockets as shown.

Step 3

Return panel with the 24" posts to upright position. Align posts over Leg Stackers and push all the way down until leg stackers are inserted into posts. Repeat steps 1 through 3 for multi-shelf configurations.