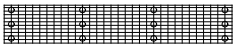
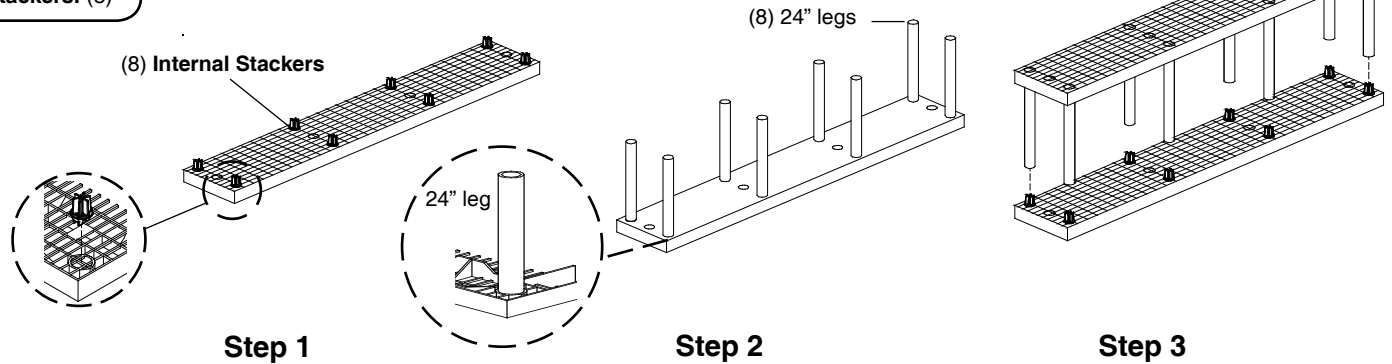


S9616B

COMPONENTS:
2-Shelf System



Panels: (2) 16"x96"
Legs: (8) 24"
Internal Stackers: (8)



Step 1

Step 2

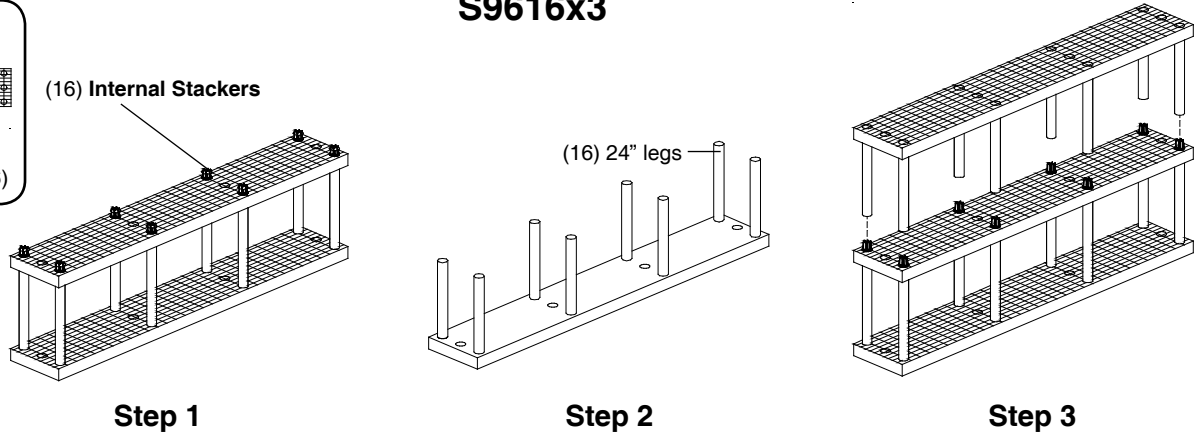
Step 3

S9616x3

COMPONENTS:
3-Shelf System



Panels: (3) 16"x96"
Legs: (16) 24"
Internal Stackers: (16)



Step 1

Step 2

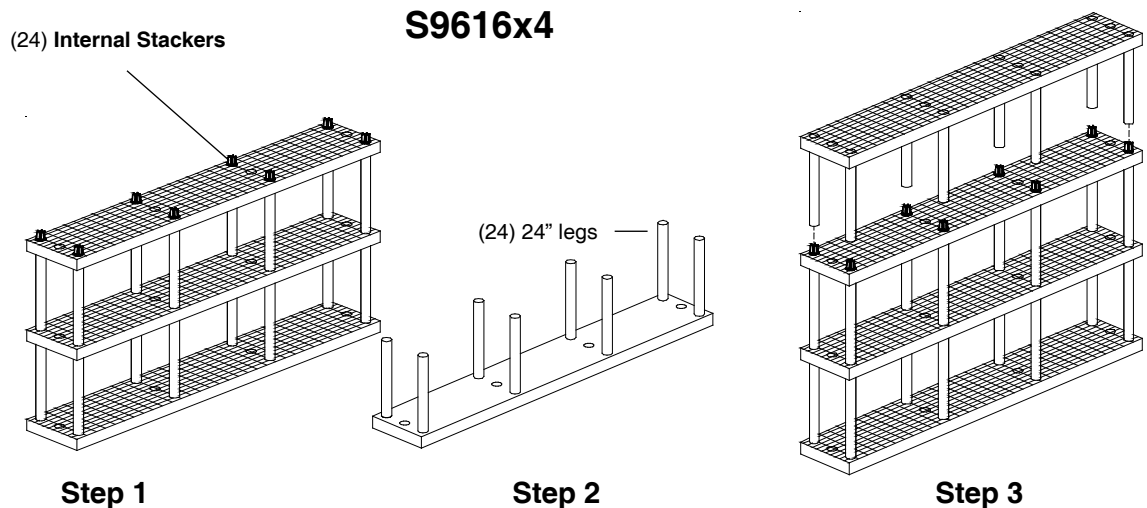
Step 3

S9616x4

COMPONENTS:
4-Shelf System



Panels: (4) 16"x96"
Legs: (24) 24"
Internal Stackers: (24)



Step 1

Step 2

Step 3

Step 1

Lay one of the shelf panels on the floor and insert **Leg Stackers** over outside sockets as shown.

Step 2

Invert the next level panel and insert **24" posts** into the sockets as shown.

Step 3

Return panel with the **24" posts** to upright position. Align posts over **Leg Stackers** and push all the way down until leg stackers are inserted into posts. Repeat steps 1 through 3 for multi-shelf configurations.