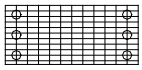


S3616B

COMPONENTS:

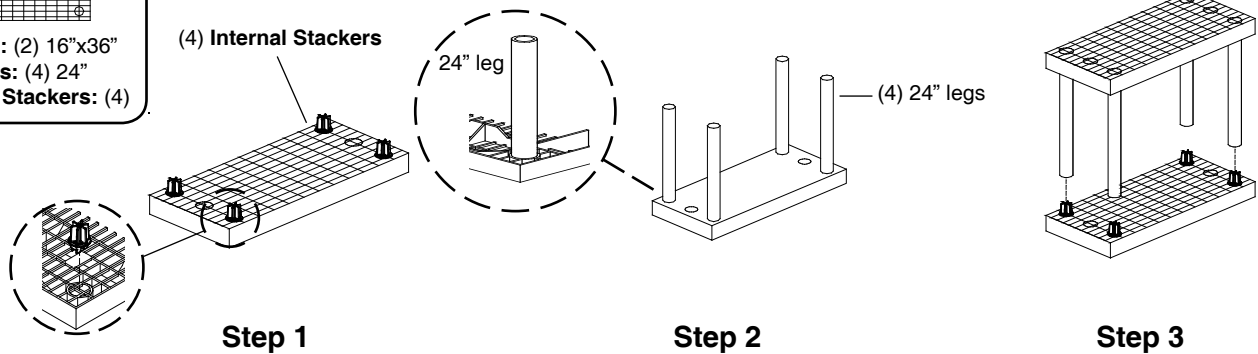
2-Shelf System



Panels: (2) 16"x36"

Legs: (4) 24"

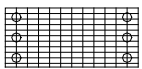
Internal Stackers: (4)



S3616x3

COMPONENTS:

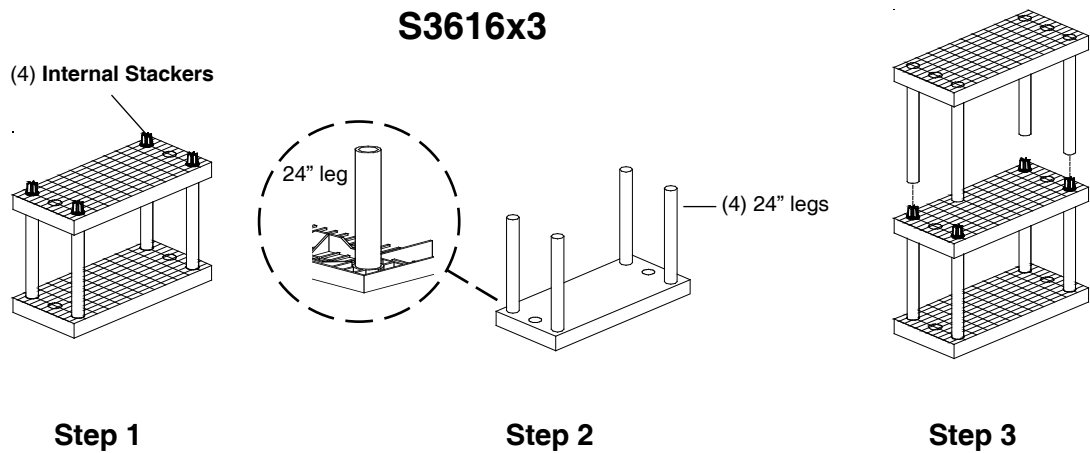
3-Shelf System



Panels: (3) 16"x36"

Legs: (8) 24"

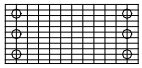
Internal Stackers: (8)



S3616x4

COMPONENTS:

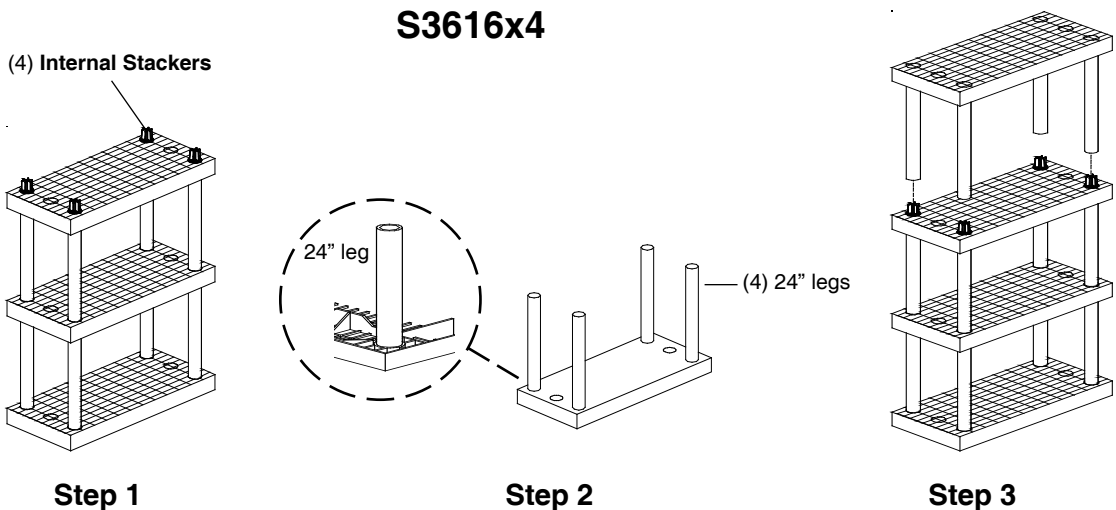
4-Shelf System



Panels: (4) 16"x36"

Legs: (12) 24"

Internal Stackers: (12)



Step 1

Lay one of the shelf panels on the floor and insert **Leg Stackers** over outside sockets as shown.

Step 2

Invert the next level panel and insert **24" posts** into the sockets as shown.

Step 3

Return panel with the **24" posts** to upright position. Align posts over **Leg Stackers** and push all the way down until leg stackers are inserted into posts. Repeat steps 1 through 3 for multi-shelf configurations.