

Please read and save these instructions. Read carefully before attempting to assemble, install, operate or maintain the product described. Protect yourself and others by observing all safety information. Failure to comply with instructions could result in personal injury and/or property damage! Retain instructions for future reference.

Dayton® Thermostats

Description

The Dayton Thermostats 1UHE5, 1UHE6, and 1UHE7 are outstanding performance thermostats which integrate high-quality design and ease of use to provide a better quality of life through climate control technology. Thermostats can dramatically reduce energy costs and provide a much more comfortable environment for your home or office.

Unpacking and Inspection

Handle carefully. Check the packing list to account for all items. Visually inspect for shipping damage. If damaged, immediately file a claim with the carrier.

General Safety Information

In order to prevent the risk of fire, electrical shock, injury to persons or damage to property: PLEASE READ ALL INSTRUCTIONS CAREFULLY BEFORE USING THE PRODUCT. When using any electric appliances, basic safety precautions should always be followed, including the following:

1. Read all instructions before using this unit. Save these instructions for reference.
2. Never attempt to disassemble or alter the unit in any way not instructed by this manual. Electric shock may occur, resulting in injury or death.

3. Do not immerse this unit in water or splash water on it. An electrical short may result in shock or fire.
4. Use this unit indoors only in a location not exposed to drafts, other heat sources, or direct sunlight.
5. Keep out of reach of small children.

⚠ WARNING Always disconnect power before installing, cleaning, replacing parts, etc.

⚠ CAUTION Use only qualified technicians for installation and maintenance of unit.

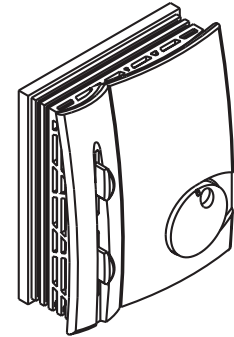


Figure 1

Specifications

Operating Temperature	Operating Humidity	Storage Temperature	Temperature Range	Power Requirements	Max Amps
32°F~104°F	5~90% non-cond.	32°F~122°F	40°F~90°F	24 VAC / 50/60 Hz	1

Temperature Variance	Temperature Accuracy	Terminals
± 2°F	± 4°F	2 mm ² wire

Dayton® Thermostats

Installation

⚠ CAUTION *Switch off the electric source before installation of the thermostat. We recommend that installation should be performed by trained personnel only.*

MOUNTING LOCATION

NOTE: The thermostat is for indoor use only. It should be mounted on an inner wall about 5 feet (1.5 m) above the floor in a place where it will not be readily affected by air drafts, other heat sources, or direct sunlight. See Figure 2. The areas marked with an "X" are areas where the thermostat should not be mounted.

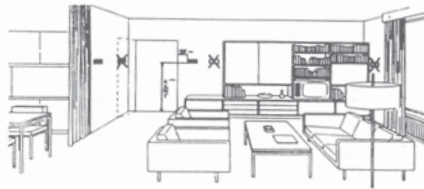


Figure 2 – Locations where the Thermostat should not be Mounted

⚠ WARNING *Avoid mounting near equipment that radiates heat (e.g. TVs, heaters, refrigerators), or exposing to direct sunlight, or using in enclosed spaces. Also, do not expose this unit to dripping or splashing water.*

MOUNTING INSTRUCTIONS

REMOVING THE COVER

1. Move both slide controls to the bottom position.
2. Use a screwdriver to loosen the screws at the bottom of the thermostat as shown in Figure 3.

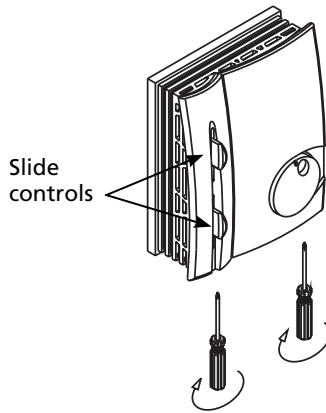


Figure 3

3. Remove the top cover carefully forward and then upward to loosen the top lock. See Figure 4.

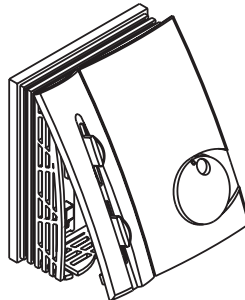


Figure 4

MOUNTING WITHOUT A WALL MOUNT PLATE

1. Make sure the power to the thermostat electrical wires is shut off at the main electrical box before installing the unit.
2. Position the back half of the thermostat cabinet on the wall or junction box and ensure it is level and covers the junction box completely.
3. Pull the electrical wires through the hole at the terminal block of the thermostat.
4. Drill holes in the wall through the 2 mounting holes in the back of the thermostat cabinet as shown in Figure 5 and insert anchors into the holes.
5. Fasten the thermostat to the wall with screws through the mounting holes.

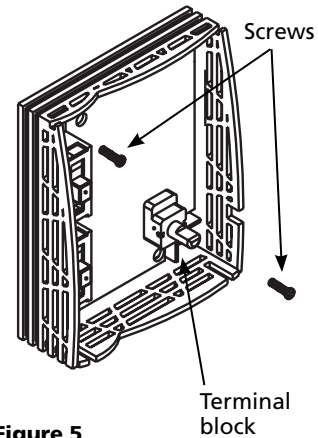


Figure 5

Models 1UHE5, 1UHE6 and 1UHE7

Installation (Continued)

MOUNTING WITH A WALL MOUNT PLATE

1. Make sure the power to the thermostat electrical wires is shut off at the main electrical box before installing the unit.
2. Position the wall mount plate on the wall or junction box and ensure the plate is level and covers the junction box completely.
3. Pull the electrical wires through the hole in the wall mount plate.
4. Drill holes in the wall through the 2 mounting holes in the back of the wall plate as shown in Figure 6 and insert anchors into the holes.
5. Then drill holes through the 2 mounting holes in the wall plate where the thermostat will attach and insert anchors into the holes.
6. Pull the electrical wires through the hole at the terminal block.
7. Fasten the wall plate with 2 screws through the mounting holes.
8. Then fasten the thermostat to the wall plate with screws through the mounting holes.

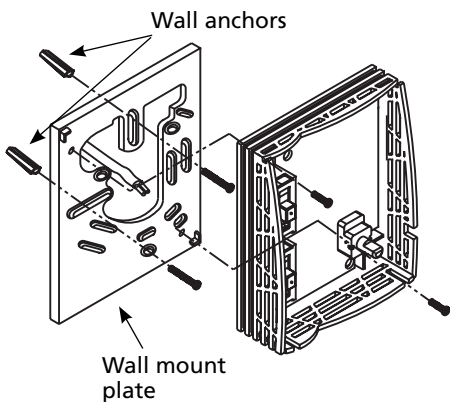


Figure 6

ELECTRICAL CONNECTION

1. Connect the electrical wires to the corresponding terminals on the terminal block following the circuit diagram inside the top cover of the unit. See Figure 7.
2. Push all excess wire back into the wall.

NOTE: Do not use metal conduit or wires insulated with a metal sheath. We also recommend adding a fuse or protective device in the live circuit to protect the unit. DO NOT modify any of the wiring.

3. If the jumper wire is connected to the HE terminal when the slide control is set to HEAT, then the fan will be ON when the HEAT or COOL settings are set to AUTO.
4. If the jumper wire is connected to the HG terminal when the slide control is set to COOL, then the fan will be ON. The fan will be OFF when set to HEAT and AUTO.

5. Connect the RH and RC terminals together if a single transformer is used.

REATTACHING THE COVER

1. Move both slide controls to the bottom position.
2. Align the thermostat adjustment shaft horizontally as shown in Figure 8.
3. In order for the thermostat dial to fit on the shaft, it must be aligned with the pointer above the dial.
4. Carefully attach the top cover and ensure the cover locks are in place by pushing down on the top and then pushing inward toward the wall.

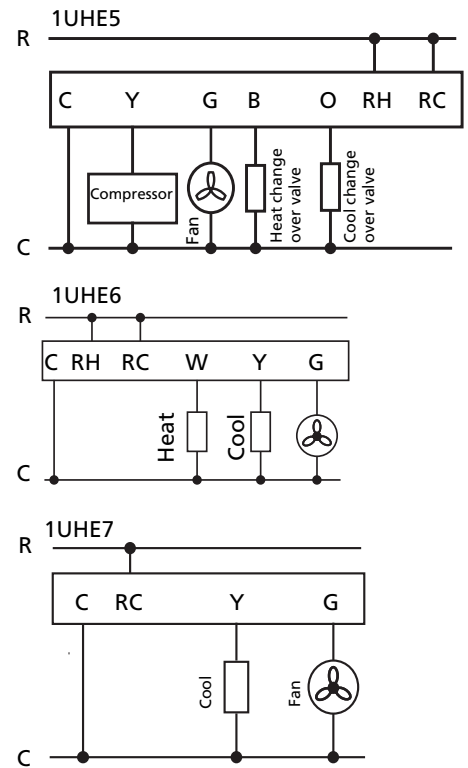


Figure 7 – Wiring Diagrams

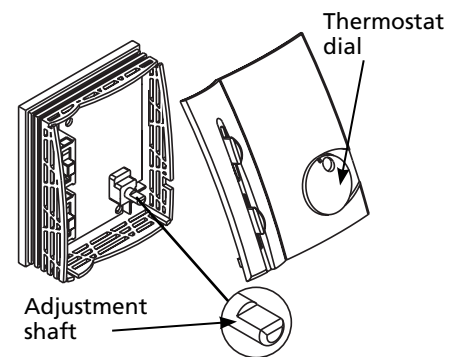


Figure 8 – Make sure the Dial is Vertical and the Adjustment Shaft is Horizontal

ENGLISH

Dayton® Thermostats

Installation (Continued)

- Attach the screws again at the bottom of the cover and tighten into place as shown in Figure 9.

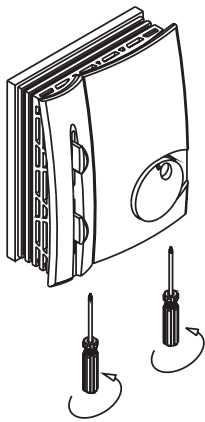


Figure 9

- Check that the adjustment dial and slide controls can be moved smoothly, otherwise remove the cover and check the alignment of the dial, adjustment shaft, and slide controls.

Operation

SETTING THE TEMPERATURE

- Rotate the dial to the desired temperature.
- Set the FAN slide controls to AUTO and HEAT or COOL (models 1UHE5 and 1UHE6). Set to COOL for model 1UHE7.

Maintenance

CAUTION Switch off the electric source before conducting any maintenance on the thermostat. We recommend that maintenance should be performed by trained personnel only.

LIMITED WARRANTY

DAYTON ONE-YEAR LIMITED WARRANTY. DAYTON® THERMOSTATS, MODELS COVERED IN THIS MANUAL, ARE WARRANTED BY DAYTON ELECTRIC MFG. CO. (DAYTON) TO THE ORIGINAL USER AGAINST DEFECTS IN WORKMANSHIP OR MATERIALS UNDER NORMAL USE FOR ONE YEAR AFTER DATE OF PURCHASE. ANY PART WHICH IS DETERMINED TO BE DEFECTIVE IN MATERIAL OR WORKMANSHIP AND RETURNED TO AN AUTHORIZED SERVICE LOCATION, AS DAYTON DESIGNATES, SHIPPING COSTS PREPAID, WILL BE, AS THE EXCLUSIVE REMEDY, REPAIRED OR REPLACED AT DAYTON'S OPTION. FOR LIMITED WARRANTY CLAIM PROCEDURES, SEE "PROMPT DISPOSITION" BELOW. THIS LIMITED WARRANTY GIVES PURCHASERS SPECIFIC LEGAL RIGHTS WHICH VARY FROM JURISDICTION TO JURISDICTION.

LIMITATION OF LIABILITY. TO THE EXTENT ALLOWABLE UNDER APPLICABLE LAW, DAYTON'S LIABILITY FOR CONSEQUENTIAL AND INCIDENTAL DAMAGES IS EXPRESSLY DISCLAIMED. DAYTON'S LIABILITY IN ALL EVENTS IS LIMITED TO AND SHALL NOT EXCEED THE PURCHASE PRICE PAID.

WARRANTY DISCLAIMER. A DILIGENT EFFORT HAS BEEN MADE TO PROVIDE PRODUCT INFORMATION AND ILLUSTRATE THE PRODUCTS IN THIS LITERATURE ACCURATELY; HOWEVER, SUCH INFORMATION AND ILLUSTRATIONS ARE FOR THE SOLE PURPOSE OF IDENTIFICATION, AND DO NOT EXPRESS OR IMPLY A WARRANTY THAT THE PRODUCTS ARE MERCHANTABILITY, OR FIT FOR A PARTICULAR PURPOSE, OR THAT THE PRODUCTS WILL NECESSARILY CONFORM TO THE ILLUSTRATIONS OR DESCRIPTIONS. EXCEPT AS PROVIDED BELOW, NO WARRANTY OR AFFIRMATION OF FACT, EXPRESSED OR IMPLIED, OTHER THAN AS STATED IN THE "LIMITED WARRANTY" ABOVE IS MADE OR AUTHORIZED BY DAYTON.

Technical Advice and Recommendations, Disclaimer. Notwithstanding any past practice or dealings or trade custom, sales shall not include the furnishing of technical advice or assistance or system design. Dayton assumes no obligations or liability on account of any unauthorized recommendations, opinions or advice as to the choice, installation or use of products.

Product Suitability. Many jurisdictions have codes and regulations governing sales, construction, installation, and/or use of products for certain purposes, which may vary from those in neighboring areas. While attempts are made to assure that Dayton products comply with such codes, Dayton cannot guarantee compliance, and cannot be responsible for how the product is installed or used. Before purchase and use of a product, review the product applications, and all applicable national and local codes and regulations, and be sure that the product, installation, and use will comply with them.

Certain aspects of disclaimers are not applicable to consumer products; e.g., (a) some jurisdictions do not allow the exclusion or limitation of incidental or consequential damages, so the above limitation or exclusion may not apply to you; (b) also, some jurisdictions do not allow a limitation on how long an implied warranty lasts, consequently the above limitation may not apply to you; and (c) by law, during the period of this Limited Warranty, any implied warranties of implied merchantability or fitness for a particular purpose applicable to consumer products purchased by consumers, may not be excluded or otherwise disclaimed.

Prompt Disposition. A good faith effort will be made for prompt correction or other adjustment with respect to any product which proves to be defective within limited warranty. For any product believed to be defective within limited warranty, first write or call dealer from whom the product was purchased. Dealer will give additional directions. If unable to resolve satisfactorily, write to Dayton at address below, giving dealer's name, address, date, and number of dealer's invoice, and describing the nature of the defect. Title and risk of loss pass to buyer on delivery to common carrier. If product was damaged in transit to you, file claim with carrier.

Manufactured for Dayton Electric Mfg. Co., 5959 W. Howard St., Niles, Illinois 60714-4014 U.S.A.

Models 1UHE5, 1UHE6 and 1UHE7

Troubleshooting Chart

Symptom	Possible Cause(s)	Corrective Action
The thermostat will not turn on	No power	<ol style="list-style-type: none"> 1. Check power to the unit or main electrical box 2. If no problem can be found with the power, the unit may need service 3. An electrician may need to check the electrical wiring in your house
The fan doesn't run or the room is too hot/cold	<ol style="list-style-type: none"> 1. The slide controls may be set to OFF or to the wrong settings 2. The contacts for the slide controls may be dirty or faulty 3. The contacts for the terminal block may be dirty or faulty 	<ol style="list-style-type: none"> 1. Make sure the fan slide controls are set to the desired settings 2. The slide control contacts may need to be cleaned or replaced 3. The contacts for the terminal block may need to be cleaned or replaced
Temperature variation or poor thermostat efficiency	<ol style="list-style-type: none"> 1. Thermostat may be malfunctioning 2. The contacts for the slide controls may be dirty or faulty 3. The contacts for the terminal block may be dirty or faulty 	<ol style="list-style-type: none"> 1. The unit may need service or need to be replaced. Only trained personnel should service the unit 2. The slide control contacts may need to be cleaned or replaced 3. The contacts for the terminal block may need to be cleaned or replaced

Por favor lea y guarde estas instrucciones. Léalas cuidadosamente antes de tratar de montar, instalar, operar o dar mantenimiento al producto aquí descrito. Protéjase usted mismo y a los demás observando toda la información de seguridad. ¡El no cumplir con las instrucciones puede ocasionar daños, tanto personales como a la propiedad! Guarde estas instrucciones para referencia en el futuro.

Termostatos Dayton®

Descripción

Los Termostatos Dayton modelos 1UHE5, 1UHE6 y 1UHE7 son termostatos de extraordinario rendimiento que integran un diseño de alta calidad y facilidad de uso a fin de proporcionar una mejor calidad de vida mediante tecnología de control climático. Los termostatos pueden disminuir de manera significativa los costos energéticos y proveer un entorno mucho más confortable para su hogar u oficina.

Desempaque e Inspección

Manipule con cuidado. Asegúrese de contar con todos los artículos que aparecen en la lista de empaque. Inspeccione visualmente si ocurrieron daños durante el envío. De encontrarse daños, deberá enviarse de inmediato una reclamación a la compañía transportista.

Información de Seguridad General

A fin de evitar riesgos de incendio, choque eléctrico, lesiones a personas o daño a la propiedad: POR FAVOR LEA TODAS LAS INSTRUCCIONES CUIDADOSAMENTE ANTES DE UTILIZAR EL PRODUCTO. Al utilizar aparatos eléctricos, siempre deben observarse precauciones de seguridad básicas, incluyendo las siguientes:

1. Lea todas las instrucciones antes de utilizar esta unidad. Guarde estas instrucciones para referencia futura.

2. Nunca intente desarmar o modificar la unidad de manera alguna salvo según se indique en el manual. Podría producirse un choque eléctrico, y ocasionar lesiones o la muerte.
3. No sumerja esta unidad en el agua ni salpique agua en la misma. Un cortocircuito eléctrico podría ocasionar un choque eléctrico o incendio.
4. Utilice esta unidad solamente en interiores, en una ubicación que no esté expuesta a ráfagas, otras fuentes de calor o la luz directa del sol.
5. Manténgala fuera del alcance de niños pequeños.

⚠ ADVERTENCIA *Desconecte siempre la alimentación antes de instalar, limpiar, reemplazar partes, etc.*

⚠ PRECAUCION *Para labores de instalación y mantenimiento de la unidad, solicite únicamente los servicios de técnicos cualificados.*

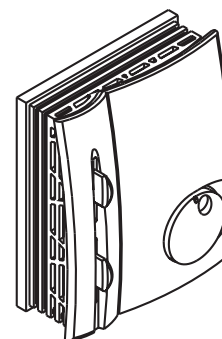


Figura 1

Especificaciones

Temperatura de operación	Humedad de operación	Temperatura de almacenamiento	Gama de temperatura	Requisitos de alimentación	Amp. máx.
0°C~40°C	5~90% sin cond.	0°C~50°C	4°C~32°C	120 VCA / 50/60 Hz	1

Varianza de temperatura	Precisión de temperatura	Terminales
± 1°C	± 2°C	Cable de 2 mm ²

Termostatos Dayton®

Instalación

⚠ PRECAUCION *Apague la fuente eléctrica antes de llevar a cabo la instalación del termostato. Le recomendamos solicitar sólo los servicios de personal capacitado para llevar a cabo la instalación de la unidad.*

UBICACION DE MONTAJE

AVISO: El termostato ha sido diseñado para uso en interiores solamente. Deberá montarse en una pared interior a aproximadamente 1.5 m (5 pies) sobre el piso en un lugar donde no esté expuesto a ráfagas de aire, otras fuentes de calor o la luz directa del sol. Consulte la Figura 2. Las áreas marcadas con una "X" son áreas donde no se debe montar el termostato.

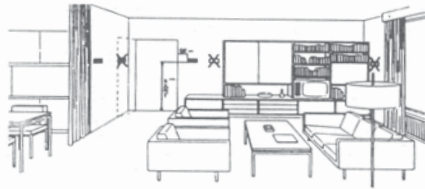


Figura 2 – Ubicaciones donde no se debe Montar el Termostato

⚠ ADVERTENCIA *Evite montarlo cerca de equipo que emita calor (por ejemplo, televisores, calentadores, refrigeradores), exponerlo a la luz directa del sol, o utilizarlo en espacios cerrados. Asimismo, no exponga esta unidad a goteos o salpicaduras de agua.*

INSTRUCCIONES DE MONTAJE

REMOCION DE LA CUBIERTA

1. Mueva ambos controles deslizantes a la posición baja.
2. Utilice un destornillador para aflojar los tornillos de la parte inferior del termostato tal como se muestra en la Figura 3.

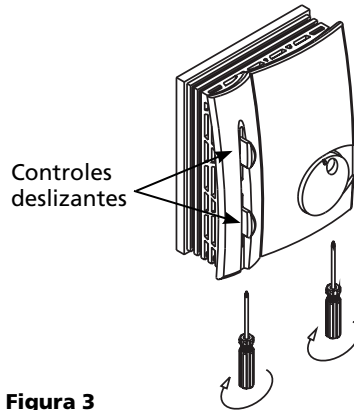


Figura 3

3. Con cuidado, retire la cubierta superior moviéndola hacia delante y luego hacia arriba para aflojar el seguro superior. Consulte la Figura 4.

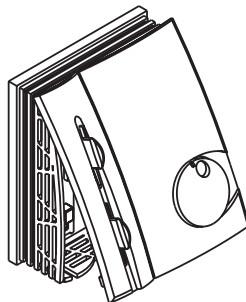


Figura 4

MONTAJE SIN UNA PLACA DE MONTAJE EN PARED

1. Asegúrese de cortar la alimentación a los cables eléctricos del termostato en la caja eléctrica principal antes de instalar la unidad.
2. Coloque la mitad posterior del gabinete del termostato en la pared o caja de empalmes, y asegúrese que esté nivelado y que cubra completamente la caja de empalmes.
3. Tire de los cables eléctricos a través del orificio en el bloque de terminales del termostato.
4. Taladre orificios en la pared a través de los 2 orificios de montaje en la parte posterior del gabinete del termostato según se muestra en la Figura 5 e inserte anclajes en los orificios.
5. Fije el termostato en la pared con los tornillos a través de los orificios de montaje.

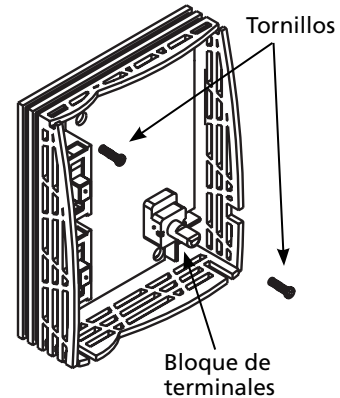


Figura 5

Modelos 1UHE5, 1UHE6 y 1UHE7

Instalación (Continuación)

MONTAJE CON UNA PLACA DE MONTAJE EN PARED

1. Asegúrese de cortar la alimentación a los cables eléctricos del termostato en la caja eléctrica principal antes de instalar la unidad.
2. Coloque la placa de montaje en pared en la pared o caja de empalmes, y asegúrese que la placa esté nivelada y que cubra completamente la caja de empalmes.
3. Tire de los cables eléctricos a través del orificio en la placa de montaje en pared.
4. Taladre orificios en la pared a través de los 2 orificios de montaje en la parte posterior de la placa de pared según se muestra en la Figura 6 e inserte anclajes en los orificios.
5. Luego, taladre orificios a través de los 2 orificios de montaje en la placa de pared donde se fijará el termostato e inserte anclajes en los orificios.
6. Tire de los cables eléctricos a través del orificio en el bloque de terminales.
7. Fije la placa de pared con los 2 tornillos a través de los orificios de montaje.
8. Luego, fije el termostato en la placa de pared con los tornillos a través de los orificios de montaje.

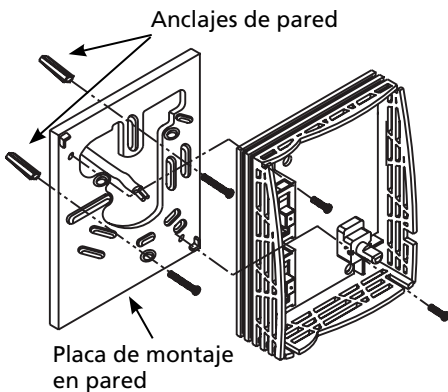


Figura 6

CONEXION ELECTRICA

1. Conecte los cables eléctricos a los terminales correspondientes en el bloque de terminales observando el diagrama de circuito dentro de la cubierta superior de la unidad. Consulte la Figura 7.

2. Empuje el cable en exceso hacia la pared.

AVISO: No utilice conductos metálicos ni cables aislados con revestimiento metálico. Recomendamos además agregar un fusible o dispositivo de protección en el circuito energizado para proteger la unidad. NO modifique ningún cableado.

3. Si el cable de puente está conectado al terminal HE cuando se establece el control deslizante en HEAT, el ventilador estará ENCENDIDO cuando los ajustes HEAT y COOL se establezcan en AUTO.
4. Si el cable de puente está conectado al terminal HG cuando se establece el control deslizante en COOL, el ventilador estará APAGADO cuando se establezca en HEAT y AUTO.
5. Conecte los terminales RH y RC entre sí si se utiliza un solo transformador.

REINSTALACION DE LA CUBIERTA

1. Mueva ambos controles deslizantes a la posición baja.
2. Alinee el eje de ajuste del termostato de manera horizontal según se muestra en la Figura 8.
3. Para poder acomodar el cuadrante del termostato en el eje, deberá estar alineado con el indicador sobre el cuadrante.
4. Con cuidado fije la cubierta superior y cerciórese que los seguros de la cubierta estén en su posición empujando la parte superior hacia abajo y luego hacia la pared.

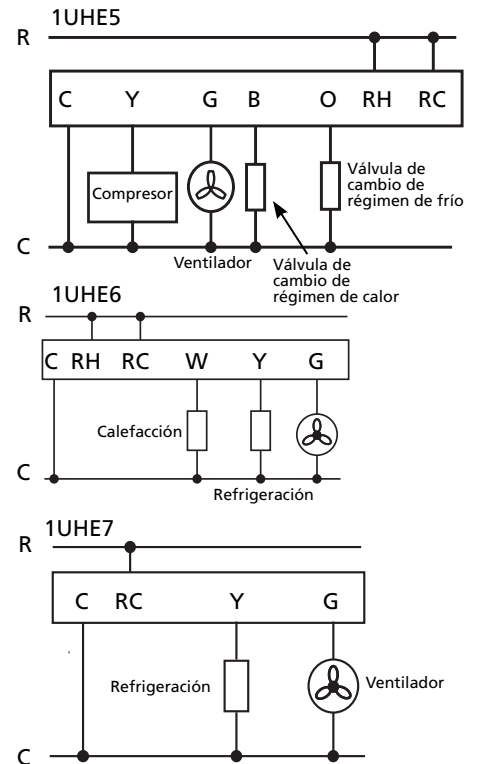


Figura 7 - Diagramas del Cableado

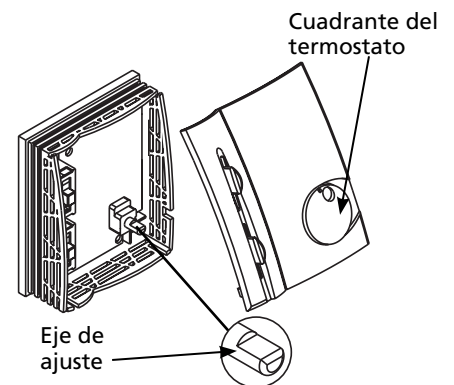


Figura 8 - Asegúrese que el Cuadrante se Encuentre Colocado de Forma Vertical y el Eje de Ajuste de Forma Horizontal

ESPAÑOL

Termostatos Dayton®

Instalación (Continuación)

- Fije nuevamente los tornillos en la parte inferior de la cubierta y apriételos según se muestra en la Figura 9.

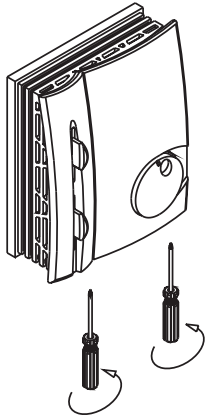


Figura 9

- Verifique que el cuadrante de ajuste y los controles deslizantes puedan moverse sin problemas; de lo contrario, retire la cubierta y revise la alineación del cuadrante, el eje de ajuste y los controles deslizantes.

Operación

COMO AJUSTAR LA TEMPERATURA

- Gire el cuadrante a la temperatura deseada.
- Establezca los controles deslizantes del VENTILADOR en AUTO y HEAT o COOL (modelos 1UHE5 y 1UHE6). Establézcalos en COOL para el modelo 1UHE7.

Mantenimiento

⚠ PRECAUCIÓN Apague la fuente de electricidad antes de hacerle cualquier tipo de mantenimiento al termostato. Le recomendamos solicitar sólo los servicios de personal capacitado para llevar a cabo el mantenimiento de la unidad.

GARANTIA LIMITADA

GARANTIA LIMITADA DE DAYTON POR UN AÑO. DAYTON ELECTRIC MFG. CO. (DAYTON) LE GARANTIZA AL USUARIO ORIGINAL QUE LOS MODELOS TRATADOS EN ESTE MANUAL DE LOS TERMOSTATOS DAYTON® ESTAN LIBRES DE DEFECTOS EN LA MANO DE OBRA O EL MATERIAL, CUANDO SE LES SOMETE A USO NORMAL, POR UN AÑO A PARTIR DE LA FECHA DE COMPRA. CUALQUIER PARTE QUE SE HALLE DEFECTUOSA, YA SEA EN EL MATERIAL O EN LA MANO DE OBRA, Y SEA DEVUELTA (CON LOS COSTOS DE ENVÍO PAGADOS POR ADELANTADO) A UN CENTRO DE SERVICIO AUTORIZADO DESIGNADO POR DAYTON, SERÁ REPARADA O REEMPLAZADA (NO EXISTE OTRA POSIBILIDAD) SEGUN LO DETERMINE DAYTON. PARA OBTENER INFORMACION SOBRE LOS PROCEDIMIENTOS DE RECLAMO CUBIERTOS EN LA GARANTIA LIMITADA, VEA LA SECCION "ATENCION OPORTUNA" QUE APARECE MAS ADELANTE. ESTA GARANTIA LIMITADA CONFIERE AL COMPRADOR DERECHOS LEGALES ESPECIFICOS QUE VARIAN DE JURISDICCION A JURISDICCION.

LIMITES DE RESPONSABILIDAD. EN LA MEDIDA EN QUE LAS LEYES APPLICABLES LO PERMITAN, LA RESPONSABILIDAD DE DAYTON POR LOS DAÑOS EMERGENTES O INCIDENTALES ESTA EXPRESAMENTE EXCLUIDA. LA RESPONSABILIDAD DE DAYTON EXPRESAMENTE ESTA LIMITADA Y NO PUEDE EXCEDER EL PRECIO DE COMPRA PAGADO POR EL ARTICULO.

EXCLUSION DE RESPONSABILIDAD DE LA GARANTIA. SE HAN HECHO ESFUERZOS DILIGENTES PARA PROPORCIONAR INFORMACION E ILUSTRACIONES APROPIADAS SOBRE EL PRODUCTO EN ESTE MANUAL; SIN EMBARGO, ESTA INFORMACION Y LAS ILUSTRACIONES TIENEN COMO UNICO PROPOSITO LA IDENTIFICACION DEL PRODUCTO Y NO EXPRESAN NI IMPLICAN GARANTIA DE QUE LOS PRODUCTOS SEAN VENDIBLES O ADECUADOS PARA UN PROPOSITO EN PARTICULAR NI QUE SE AJUSTAN NECESARIAMENTE A LAS ILUSTRACIONES O DESCRIPCIONES. CON EXCEPCION DE LO QUE SE ESTABLECE A CONTINUACION, DAYTON NO HACE NI AUTORIZA NINGUNA GARANTIA O AFIRMACION DE HECHO, EXPRESA O IMPLICITA, QUE NO SEA ESTIPULADA EN LA "GARANTIA LIMITADA" ANTERIOR.

Consejo Técnico y Recomendaciones, Exclusiones de Responsabilidad. A pesar de las prácticas, negociaciones o usos comerciales realizados previamente, las ventas no deberán incluir el suministro de consejo técnico o asistencia o diseño del sistema. Dayton no asume ninguna obligación o responsabilidad por recomendaciones, opiniones o consejos no autorizados sobre la elección, instalación o uso de los productos.

Adaptación del Producto. Muchas jurisdicciones tienen códigos o regulaciones que rigen la venta, la construcción, la instalación y/o el uso de productos para ciertos propósitos que pueden variar con respecto a los aplicables a las zonas vecinas. Si bien se trata de que los productos Dayton cumplan con dichos códigos, no se puede garantizar su conformidad y no se puede hacer responsable por la forma en que se instale o use su producto. Antes de comprar y usar el producto, revise su aplicación y todos los códigos y regulaciones nacionales y locales aplicables y asegúrese de que el producto, la instalación y el uso los cumplan.

Ciertos aspectos de limitación de responsabilidad no se aplican a productos al consumidor; es decir (a) algunas jurisdicciones no permiten la exclusión ni limitación de daños incidentales o consecuentes, de modo que las limitaciones o exclusiones anteriores quizás no apliquen en su caso; (b) asimismo, algunas jurisdicciones no permiten limitar el plazo de una garantía implícita, por lo tanto, la limitación anterior quizás no aplique en su caso; y (c) por ley, mientras la Garantía Limitada esté vigente no podrán excluirse ni limitarse en modo alguno ninguna garantía implícita de comercialización o de idoneidad para un propósito en particular aplicables a los productos al consumidor adquiridos por éste.

Atención Oportuna. Se hará un esfuerzo de buena fe para corregir puntualmente, o hacer otros ajustes, con respecto a cualquier producto que resulte defectuoso dentro de los términos de esta garantía limitada. En el caso de que encuentre un producto defectuoso y que esté cubierto dentro de los límites de esta garantía haga el favor de escribir primero, o llame, al distribuidor a quien le compró el producto. El distribuidor le dará las instrucciones adicionales. Si no puede resolver el problema en forma satisfactoria, escriba a Dayton a la dirección a continuación, dando el nombre del distribuidor, su dirección, la fecha y el número de la factura del distribuidor y describa la naturaleza del defecto. La propiedad del artículo y el riesgo de pérdida pasan al comprador en el momento de la entrega del artículo a la compañía de transporte. Si el producto se daña durante el transporte, debe presentar su reclamo a la compañía transportista.

Fabricado para Dayton Electric Mfg. Co., 5959 W. Howard St., Niles, Illinois 60714-4014 EE.UU.

Modelos 1UHE5, 1UHE6 y 1UHE7

Tabla de Identificación de Problemas

Síntoma	Causa(s) Posible(s)	Medida Correctiva
El termostato no enciende	No hay alimentación	<ol style="list-style-type: none"> 1. Revise la alimentación a la unidad o la caja eléctrica principal 2. Si no se encuentra ningún problema con la alimentación, la unidad podría necesitar reparación 3. Podría ser necesario que un electricista revise el cableado eléctrico de su residencia
El ventilador no funciona o la habitación está demasiado caliente/fría	<ol style="list-style-type: none"> 1. Los controles deslizantes podrían estar ajustados en OFF (apagado) o en un ajuste equivocado 2. Los contactos de los controles deslizantes podrían estar sucios o defectuosos 3. Los contactos del bloque de terminales podrían estar sucios o defectuosos 	<ol style="list-style-type: none"> 1. Asegúrese que los controles deslizantes del ventilador estén ajustados correctamente 2. Podría ser necesario limpiar o reemplazar los contactos de los controles deslizantes 3. Podría ser necesario limpiar o reemplazar los contactos del bloque de terminales
Variación de temperatura o eficacia deficiente del termostato	<ol style="list-style-type: none"> 1. El termostato podría estar funcionando erráticamente 2. Los contactos de los controles deslizantes podrían estar sucios o defectuosos 3. Los contactos del bloque de terminales podrían estar sucios o defectuosos 	<ol style="list-style-type: none"> 1. Podría ser necesario reparar o reemplazar la unidad. Sólo personal capacitado debe reparar la unidad 2. Podría ser necesario limpiar o reemplazar los contactos de los controles deslizantes 3. Podría ser necesario limpiar o reemplazar los contactos del bloque de terminales

