

Please read and save these instructions. Read carefully before attempting to assemble, install, operate or maintain the product described. Protect yourself and others by observing all safety information. Failure to comply with instructions could result in personal injury and/or property damage! Retain instructions for future reference.

Dayton® Industrial Platform Trucks

Description

This industrial platform trucks are highly maneuverable in aisles and tight spots. They are designed for use in shipping and receiving rooms, warehouses, stock rooms, shops, laboratories, stores, etc. Two swivel and two rigid rubber or pneumatic or polyurethane or phenolic roller bearing wheels. Removable pipe handle at swivel caster end.



Figure - 1 Platform Truck

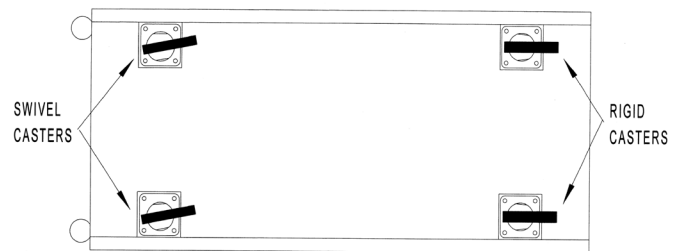


Figure - 2 Mounting pattern for Platform Truck Casters

Model	Load Capacity	L (in.)	Deck Size		Caster Wheels	
			W (in.)	Size (in.)	Type	
13X483	1200 Lb	36	24	8	Pneumatic	
13X484	1200	48	24	8	Pneumatic	
13X485	1200	60	24	8	Pneumatic	
13X486	1200	60	30	8	Pneumatic	
13X487	1750	48	24	12,10	Pneumatic	
13X488	1750	60	30	12,10	Pneumatic	
13X489	1750	72	36	12,10	Pneumatic	
13X490	2000	48	24	6	Phenolic	
13X491	2000	48	30	6	Phenolic	
13X492	2000	60	30	6	Phenolic	
13X493	2500	48	24	16,12	Pneumatic	
13X494	2500	60	30	16,12	Pneumatic	
13X495	2500	72	36	16,12	Pneumatic	
13X496	3000	48	24	10,8	Mold-on Rubber	
13X497	3000	60	30	10,8	Mold-on Rubber	
13X498	3000	72	36	10,8	Mold-on Rubber	
13X499	4000	48	24	10,8	polyurethane	
13X501	4000	60	30	10,8	polyurethane	
13X502	4000	72	36	10,8	polyurethane	
13X503	2000	60	30	8	Mold-on Rubber	
13X504	2000	60	36	8	Mold-on Rubber	
13X505	2000	72	30	8	Mold-on Rubber	
13X506	2000	72	36	8	Mold-on Rubber	
13X507	1200	32	18	5	Polyurethane	
13X508	1200	36	24	5	Polyurethane	
13X509	1200	48	24	5	Polyurethane	
13X510	2000	48	24	5	Phenolic	
13X511	2000	60	30	5	Phenolic	

(*) Generally accepted recommended maximum weight (evenly distributed) to be carried on a truck used for manual operation on a relatively smooth surface (such as concrete with normal minor obstacles)

For Repair Parts, call 1-800-323-0620

24 hours a day – 365 days a year

Please provide following information:

- Model number
- Serial number (if any)
- Part description and number as shown in parts list

Address parts correspondence to:

Grainger Parts
 P.O. Box 3074
 1657 Shermer Road
 Northbrook, IL 60065-3074 U.S.A.

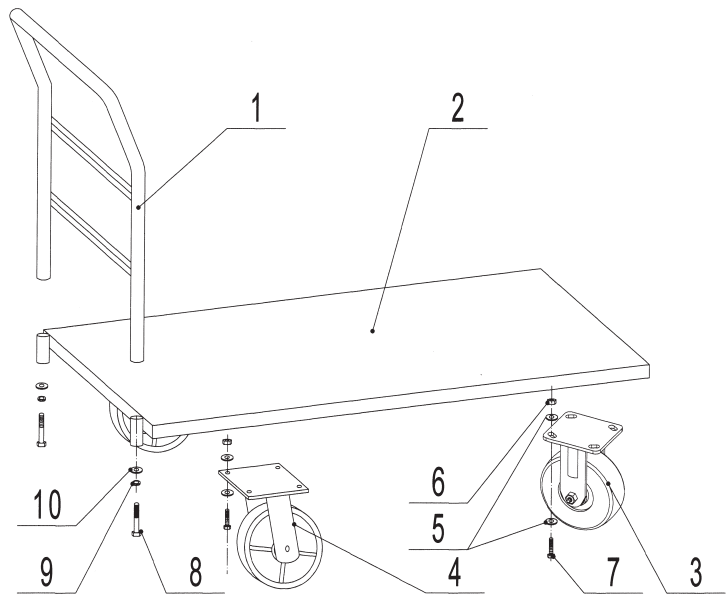


Figure 3 - Repair Parts Illustration for 13X483 thru 13X486, 13X490 thru 13X492

Replacement Parts List

Ref. No.	Description	Part Number for Models							Qty.
		13X483	13X484	13X485	13X486	13X490	13X491	13X492	
1	Handle	N/A	N/A	N/A	N/A	N/A	N/A	N/A	1
2	Steel platform	N/A	N/A	N/A	N/A	N/A	N/A	N/A	1
3	Rigid caster	MH13X48301G	MH13X48301G	MH13X48301G	MH13X48301G	R005	R005	R005	2
4	Swivel caster	MH13X48302G	MH13X48302G	MH13X48302G	MH13X48302G	S003	S003	S003	2
5	Flat washer,10	▲	▲	▲	▲	▲	▲	▲	32
6	Lock nut, M10	▲	▲	▲	▲	▲	▲	▲	16
7	Bolt, M10x25	▲	▲	▲	▲	▲	▲	▲	16
8	Bolt, M12x45	■	■	■	■	■	■	■	2
9	Spilt washer,12	■	■	■	■	■	■	■	2
10	Flat washer,12	■	■	■	■	■	■	■	2
▲	Caster hardware kit	NOB10X25	NOB10X25	NOB10X25	NOB10X25	NOB10X25	NOB10X25	NOB10X25	4
■	Handle hardware kit	MH12x50G	MH12x50G	MH12x50G	MH12x50G	MH12x50G	MH12x50G	MH12x50G	1

ENGLISH

For Repair Parts, call 1-800-323-0620

24 hours a day – 365 days a year

Please provide following information:

- Model number
- Serial number (if any)
- Part description and number as shown in parts list

Address parts correspondence to:

Grainger Parts
 P.O. Box 3074
 1657 Shermer Road
 Northbrook, IL 60065-3074 U.S.A.

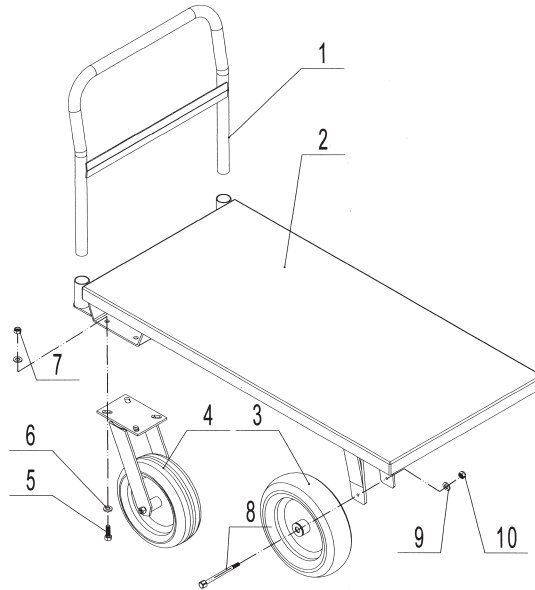


Figure 4 – Repair Parts Illustration for 13X487 thru 13X489, 13X493 thru 13X495

Replacement Parts List

Ref. No.	Description	Part Number for Models						Qty.
		13X487	13X488	13X489	13X493	13X494	13X495	
1	Handle	N/A	N/A	N/A	N/A	N/A	N/A	1
2	Steel platform	N/A	N/A	N/A	N/A	N/A	N/A	1
3	Rigid wheel	MH13X48701G	MH13X48701G	MH13X48701G	MH13X49301G	MH13X49301G	MH13X49301G	2
4	Swivel caster	C7208	C7208	C7208	MH13X49302G	MH13X49302G	MH13X49302G	2
5	Bolt, M10x25	▲	▲	▲	▲	▲	▲	8
6	Flat washer, 10	▲	▲	▲	▲	▲	▲	16
7	Lock nut, M10	▲	▲	▲	▲	▲	▲	8
8	Bolt, M12	■	■	■	■	■	■	2
9	Flat washer, 12	■	■	■	■	■	■	2
10	Lock nut, M12	■	■	■	■	■	■	2
▲	Caster hardware kit	NOB10X25	NOB10X25	NOB10X25	NOB10X25	NOB10X25	NOB10X25	2
■	Rigid wheel hardware kit	MH13X48702G	MH13X48702G	MH13X48702G	MH13X49303G	MH13X49303G	MH13X49303G	2

ENGLISH

For Repair Parts, call 1-800-323-0620

24 hours a day – 365 days a year

Please provide following information:

- Model number
- Serial number (if any)
- Part description and number as shown in parts list

Address parts correspondence to:

Grainger Parts
P.O. Box 3074
1657 Shermer Road
Northbrook, IL 60065-3074 U.S.A.

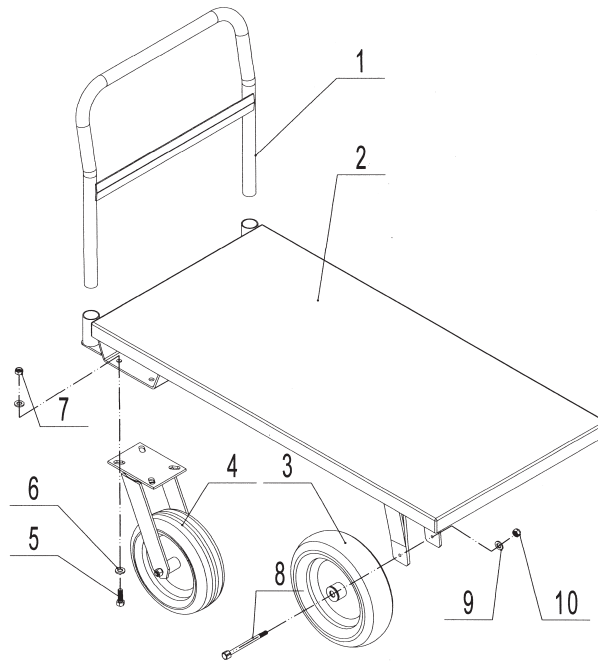


Figure 5 – Repair Parts Illustration for 13X496 thru 13X499, 13X501 and 13X502

Replacement Parts List

Ref. No.	Description	Part Number for Models						Qty.
		13X496	13X497	13X498	13X499	13X501	13X502	
1	Handle	N/A	N/A	N/A	N/A	N/A	N/A	1
2	Steel platform	N/A	N/A	N/A	N/A	N/A	N/A	1
3	Rigid wheel	MH13X49602G	MH13X49602G	MH13X49602G	MH13X49901G	MH13X49901G	MH13X49901G	2
4	Swivel caster	S004	S004	S004	MH13X49902G	MH13X49902G	MH13X49902G	2
5	Bolt, M10x25	▲	▲	▲	▲	▲	▲	8
6	Flat washer,10	▲	▲	▲	▲	▲	▲	16
7	Lock nut, M10	▲	▲	▲	▲	▲	▲	8
8	Bolt, M12	◆	◆	◆	◆	◆	◆	2
9	Flat washer,12	◆	◆	◆	◆	◆	◆	2
10	Lock nut, M12	◆	◆	◆	◆	◆	◆	2
▲	Caster hardware kit	NOB10X25	NOB10X25	NOB10X25	NOB10X25	NOB10X25	NOB10X25	2
◆	Rigid wheel hardware kit	MH13X49601G	MH13X49601G	MH13X49601G	MH13X49601G	MH13X49601G	MH13X49601G	2

For Repair Parts, call 1-800-323-0620

24 hours a day – 365 days a year

Please provide following information:

- Model number
- Serial number (if any)
- Part description and number as shown in parts list

Address parts correspondence to:

Grainger Parts
P.O. Box 3074
1657 Shermer Road
Northbrook, IL 60065-3074 U.S.A.

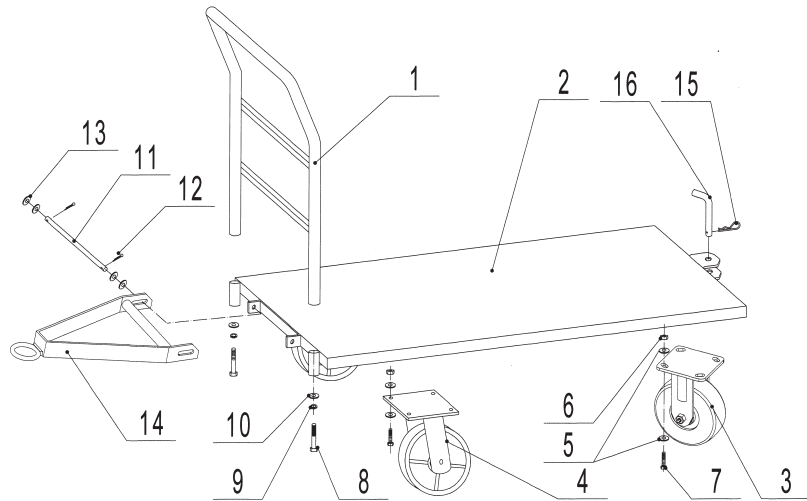


Figure 6 – Repair Parts Illustration for 13X503 thru 13X506

Replacement Parts List

Ref. No.	Description	Part Number for Models				Qty.
		13X503	13X504	13X505	13X506	
1	Handle	N/A	N/A	N/A	N/A	1
2	Steel platform	N/A	N/A	N/A	N/A	1
3	Rigid caster	R006	R006	R006	R006	2
4	Swivel caster	S004	S004	S004	S004	2
5	Flat washer, 10	▲	▲	▲	▲	32
6	Lock nut, M10	▲	▲	▲	▲	16
7	Bolt M10x25	▲	▲	▲	▲	16
8	Bolt, M12x45	■	■	■	■	2
9	Spilt washer, 12	■	■	■	■	2
10	Flat washer, 12	■	■	■	■	2
11	Shaft, 12	◇	◇	◇	◇	1
12	Spilt pin	◇	◇	◇	◇	2
13	Washer, 12	◇	◇	◇	◇	4
14	Steer bar	◇	◇	◇	◇	1
15	Spilt pin	▽	▽	▽	▽	1
16	Drag bar	▽	▽	▽	▽	1
▲	Caster hardware kit	NOB10X25	NOB10X25	NOB10X25	NOB10X25	4
■	Handle hardware kit	MH12x50G	MH12x50G	MH12x50G	MH12x50G	1
◇	Steer bar kit	MH13X50301G	MH13X50301G	MH13X50301G	MH13X50301G	1
▽	Drag bar kit	MH13X50302G	MH13X50302G	MH13X50302G	MH13X50302G	1

For Repair Parts, call 1-800-323-0620

24 hours a day – 365 days a year

Please provide following information:

- Model number
- Serial number (if any)
- Part description and number as shown in parts list

Address parts correspondence to:

Grainger Parts
 P.O. Box 3074
 1657 Shermer Road
 Northbrook, IL 60065-3074 U.S.A.

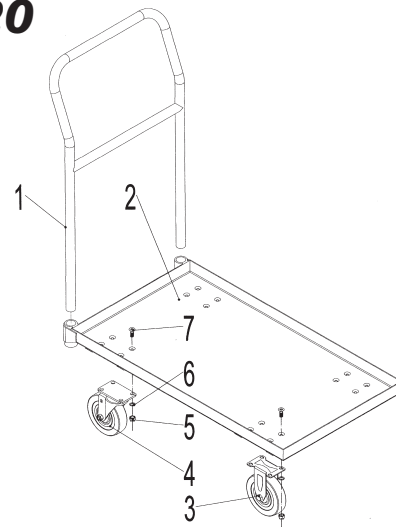
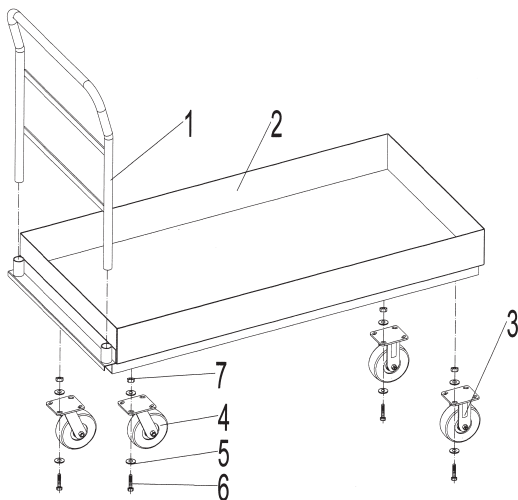


Figure 7 – Repair Parts Illustration for 13X507 thru 13X509

Replacement Parts List

Ref. No.	Description	Part Number for Models			Qty.
		13X507	13X508	13X509	
1	Handle	N/A	N/A	N/A	1
2	Steel platform	N/A	N/A	N/A	1
3	Rigid caster	MH13X50701G	MH13X50701G	MH13X50701G	2
4	Swivel caster	MH13X50702G	MH13X50702G	MH13X50702G	2
5	Lock nut, M8	**	**	**	16
6	Lock washer, 8	**	**	**	16
7	Bolt M8x16	**	**	**	16

(**) Common hardware, not offered as a replacement part.



Ref. No.	Description	Part Number for Models		Qty.
		13X507	13X508	
1	Handle	N/A	N/A	1
2	Steel platform	N/A	N/A	1
3	Rigid caster	R004	R004	2
4	Swivel caster	S002	S002	2
5	Flat washer, 10	▲	▲	32
6	Bolt M10x25	▲	▲	16
7	Lock nut, M10	▲	▲	16
▲	Caster hardware kit	NOB10X25	NOB10X25	4

Figure 7 – Repair Parts Illustration for 13X510 and 13X511

ENGLISH

Models 13X483 thru 13X511

Assembly

Tools needed: hammer and adjustable wrench.

1. Remove contents from carton.
2. Using four bolts, four nuts, and four washers per caster, secure caster to platform deck.
3. Attach lock nuts and tighten securely.
4. Insert the handle into the pipe handle pockets and tighten the bolts of handle securely.

Maintenance

Check tightness of bolts and nuts every 6 months. Lubricate casters using multipurpose heavy-duty lithium grease for platform trucks.

To replace caster, remove nuts on underside of deck. Remove old caster, replace with new one, retighten nuts.

Troubleshooting Chart

Symptom	Possible Cause(s)	Corrective Action
Hard to push or grinding noise	Castors	Replace caster

LIMITED WARRANTY

DAYTON ONE-YEAR LIMITED WARRANTY. DAYTON® STEEL PLATFORM TRUCKS, MODELS COVERED IN THIS MANUAL, ARE WARRANTED BY DAYTON ELECTRIC MFG. CO. (DAYTON) TO THE ORIGINAL USER AGAINST DEFECTS IN WORKMANSHIP OR MATERIALS UNDER NORMAL USE FOR ONE YEAR AFTER DATE OF PURCHASE. ANY PART WHICH IS DETERMINED TO BE DEFECTIVE IN MATERIAL OR WORKMANSHIP AND RETURNED TO AN AUTHORIZED SERVICE LOCATION, AS DAYTON DESIGNATES, SHIPPING COSTS PREPAID, WILL BE, AS THE EXCLUSIVE REMEDY, REPAIRED OR REPLACED AT DAYTON'S OPTION. FOR LIMITED WARRANTY CLAIM PROCEDURES, SEE "PROMPT DISPOSITION" BELOW. THIS LIMITED WARRANTY GIVES PURCHASERS SPECIFIC LEGAL RIGHTS WHICH VARY FROM JURISDICTION TO JURISDICTION.

LIMITATION OF LIABILITY. TO THE EXTENT ALLOWABLE UNDER APPLICABLE LAW, DAYTON'S LIABILITY FOR CONSEQUENTIAL AND INCIDENTAL DAMAGES IS EXPRESSLY DISCLAIMED. DAYTON'S LIABILITY IN ALL EVENTS IS LIMITED TO AND SHALL NOT EXCEED THE PURCHASE PRICE PAID.

WARRANTY DISCLAIMER. A DILIGENT EFFORT HAS BEEN MADE TO PROVIDE PRODUCT INFORMATION AND ILLUSTRATE THE PRODUCTS IN THIS LITERATURE ACCURATELY; HOWEVER, SUCH INFORMATION AND ILLUSTRATIONS ARE FOR THE SOLE PURPOSE OF IDENTIFICATION, AND DO NOT EXPRESS OR IMPLY A WARRANTY THAT THE PRODUCTS ARE MERCHANTABILITY, OR FIT FOR A PARTICULAR PURPOSE, OR THAT THE PRODUCTS WILL NECESSARILY CONFORM TO THE ILLUSTRATIONS OR DESCRIPTIONS. EXCEPT AS PROVIDED BELOW, NO WARRANTY OR AFFIRMATION OF FACT, EXPRESSED OR IMPLIED, OTHER THAN AS STATED IN THE "LIMITED WARRANTY" ABOVE IS MADE OR AUTHORIZED BY DAYTON.

Technical Advice and Recommendations, Disclaimer. Notwithstanding any past practice or dealings or trade custom, sales shall not include the furnishing of technical advice or assistance or system design. Dayton assumes no obligations or liability on account of any unauthorized recommendations, opinions or advice as to the choice, installation or use of products.

Product Suitability. Many jurisdictions have codes and regulations governing sales, construction, installation, and/or use of products for certain purposes, which may vary from those in neighboring areas. While attempts are made to assure that Dayton products comply with such codes, Dayton cannot guarantee compliance, and cannot be responsible for how the product is installed or used. Before purchase and use of a product, review the product applications, and all applicable national and local codes and regulations, and be sure that the product, installation, and use will comply with them.

Certain aspects of disclaimers are not applicable to consumer products; e.g., (a) some jurisdictions do not allow the exclusion or limitation of incidental or consequential damages, so the above limitation or exclusion may not apply to you; (b) also, some jurisdictions do not allow a limitation on how long an implied warranty lasts, consequently the above limitation may not apply to you; and (c) by law, during the period of this Limited Warranty, any implied warranties of implied merchantability or fitness for a particular purpose applicable to consumer products purchased by consumers, may not be excluded or otherwise disclaimed.

Prompt Disposition. A good faith effort will be made for prompt correction or other adjustment with respect to any product which proves to be defective within limited warranty. For any product believed to be defective within limited warranty, first write or call dealer from whom the product was purchased. Dealer will give additional directions. If unable to resolve satisfactorily, write to Dayton at address below, giving dealer's name, address, date, and number of dealer's invoice, and describing the nature of the defect. Title and risk of loss pass to buyer on delivery to common carrier. If product was damaged in transit to you, file claim with carrier.

Manufactured for Dayton Electric Mfg. Co., 5959 W. Howard St., Niles, Illinois 60714-4014 U.S.A.

Por favor lea y guarde estas instrucciones. Léalas cuidadosamente antes de tratar de montar, instalar, operar o dar mantenimiento al producto aquí descrito. Protéjase usted mismo y a los demás observando toda la información de seguridad. ¡El no cumplir con las instrucciones puede ocasionar daños, tanto personales como a la propiedad! Guarde estas instrucciones para referencia en el futuro.

Carretilla industrial de plataforma Dayton®

Descripción

Las carretillas industriales de plataforma Dayton son altamente maniobrables en pasillos y sitios estrechos. Están diseñadas para usarse en zonas de envío y recepción, bodegas, almacenas, talleres, laboratorios, tiendas, etc. Cada unidad consiste de una plataforma (con manubrio y tornillería para montar rodajes), dos rodajes giratorios y dos rodajes fijos.



Figura - 1 Carretilla de plataforma

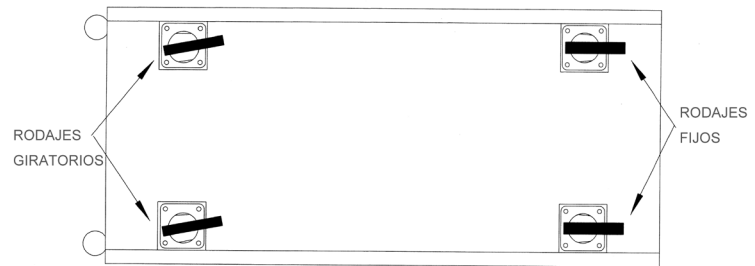


Figura - 2 Patrones de montaje de rodajes Casters

Modelo	Capacidad de carga(kg)*	Tamaño de la plataforma		Ruedas de rodaje	
		L (mm)	W (mm)	Tamaño(mm)	Tipo
13X483	545	914	610	200	neumáticas
13X484	545	1220	610	200	neumáticas
13X485	545	1524	610	200	neumáticas
13X486	545	1524	762	200	neumáticas
13X487	795	1220	610	305,254	neumáticas
13X488	795	1524	762	305,254	neumáticas
13X489	795	1829	914	305,254	neumáticas
13X490	908	1220	610	150	Poliolefino
13X491	908	1220	762	150	Poliolefino
13X492	908	1524	762	150	Poliolefino
13X493	1135	1220	610	406,305	neumáticas
13X494	1135	1524	762	406,305	neumáticas
13X495	1135	1829	914	406,305	neumáticas
13X496	1362	1220	610	254,200	Caucho moldeado
13X497	1362	1524	762	254,200	Caucho moldeado
13X498	1362	1829	914	254,200	Caucho moldeado
13X499	1816	1220	610	254,200	Polímero/acero
13X501	1816	1524	762	254,200	Polímero/acero
13X502	1816	1829	914	254,200	Polímero/acero
13X503	908	1524	762	200	Caucho moldeado
13X504	908	1524	914	200	Caucho moldeado
13X505	908	1829	762	200	Caucho moldeado
13X506	908	1829	914	200	Caucho moldeado
13X507	545	813	457	125	Polímero/acero
13X508	545	914	610	125	Polímero/acero
13X509	545	1220	610	125	Polímero/acero
13X510	908	1220	610	125	Poliolefino
13X511	908	1524	762	125	Poliolefino

(*) Peso máximo generalmente aceptado que se recomienda para llevarse en una carretilla que se opera manualmente, en una superficie relativamente lisa (tal como una de concreto con los obstáculos mínimos normales).

**Para Obtener Partes de Reparación en México Llame al 001-800-527-2331
en EE.UU. Llame al 1-800-323-0620**

Servicio permanente – 24 horas al día al año

Por favor proporciónenos la siguiente información:

- Número de modelo
- Número de serie (si lo tiene)
- Descripción de la parte y número que le corresponde en la lista de partes

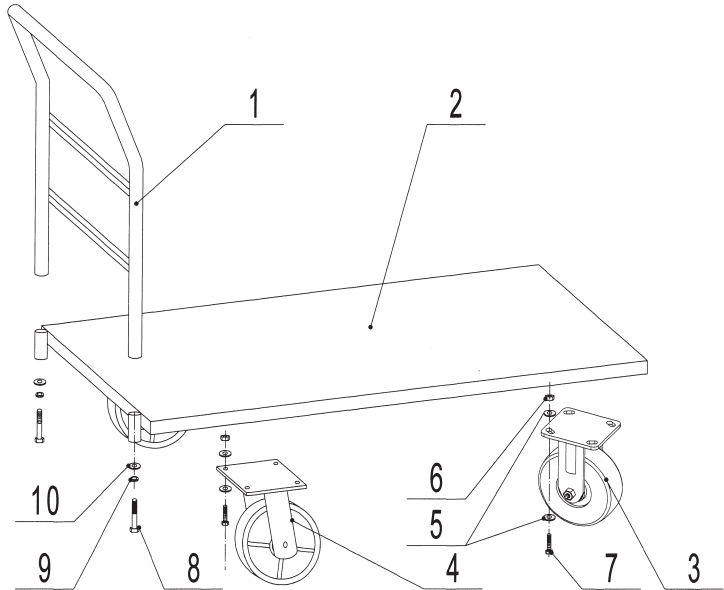


Figura 3 – Ilustración de las Partes de Reparación para 13X483 a 13X486, 13X490 a13X492

Partes de Reparación

No. de Ref.	Descripción	Número de Parte para Modelos:							Cant.
		13X483	13X484	13X485	13X486	13X490	13X491	13X492	
1	Manubrio	S/O	S/O	S/O	S/O	S/O	S/O	S/O	1
2	Juego de herraje	S/O	S/O	S/O	S/O	S/O	S/O	S/O	1
3	Rodaje fijo con rueda	MH13X48301G	MH13X48301G	MH13X48301G	MH13X48301G	R005	R005	R005	2
4	Rodaje giratorio con rueda	MH13X48302G	MH13X48302G	MH13X48302G	MH13X48302G	S003	S003	S003	2
5	Arandela,10	▲	▲	▲	▲	▲	▲	▲	32
6	Tuerca, M10	▲	▲	▲	▲	▲	▲	▲	16
7	Perno, M10x25	▲	▲	▲	▲	▲	▲	▲	16
8	Perno, M12x45	■	■	■	■	■	■	■	2
9	Arandela elástico,12	■	■	■	■	■	■	■	2
10	Arandela,12	■	■	■	■	■	■	■	2
▲	Juego de Hardware del echador	NOB10X25	NOB10X25	NOB10X25	NOB10X25	NOB10X25	NOB10X25	NOB10X25	4
■	Juego de Hardware de la manija	MH12x50G	MH12x50G	MH12x50G	MH12x50G	MH12x50G	MH12x50G	MH12x50G	1

**Para Obtener Partes de Reparación en México Llame al 001-800-527-2331
en EE.UU. Llame al 1-800-323-0620**

Servicio permanente – 24 horas al día al año

Por favor proporciónenos la siguiente información:

- Número de modelo
- Número de serie (si lo tiene)
- Descripción de la parte y número que le corresponde en la lista de partes

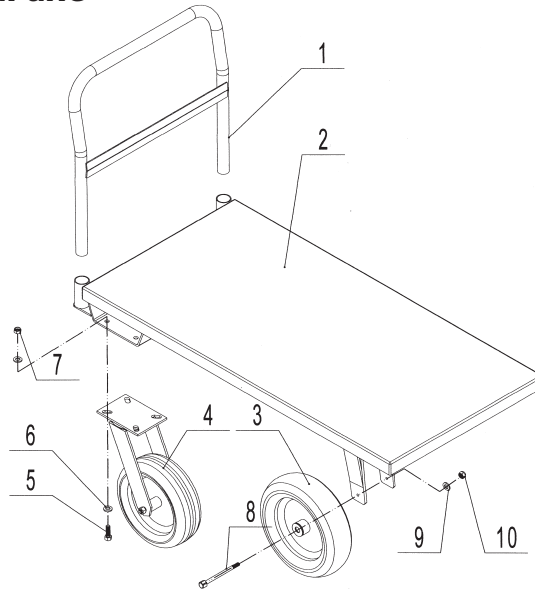


Figura 4 – Ilustración de las Partes de Reparación para 13X487 a 13X489, 13X493 a 13X495

Partes de Reparación

No. de Ref.	Descripción	Número de Parte para Modelos:						Cant.
		13X487	13X488	13X489	13X493	13X494	13X495	
1	Manubrio	S/O	S/O	S/O	S/O	S/O	S/O	1
2	Juego de herraje	S/O	S/O	S/O	S/O	S/O	S/O	1
3	Rodaje fijo con ruedal	MH13X48701G	MH13X48701G	MH13X48701G	MH13X49301G	MH13X49301G	MH13X49301G	2
4	Rodaje giratorio con rueda	C7208	C7208	C7208	MH13X49302G	MH13X49302G	MH13X49302G	2
5	Bolt, M10x25	▲	▲	▲	▲	▲	▲	8
6	Arandela, 10	▲	▲	▲	▲	▲	▲	16
7	Tuerca, M10	▲	▲	▲	▲	▲	▲	8
8	Perno, M12	■	■	■	■	■	■	2
9	Arandela, 12	■	■	■	■	■	■	2
10	Tuerca, M12	■	■	■	■	■	■	2
▲	Juego de Hardware del echador	NOB10X25	NOB10X25	NOB10X25	NOB10X25	NOB10X25	NOB10X25	2
■	Juego de Hardware del echador	MH13X48702G	MH13X48702G	MH13X48702G	MH13X49303G	MH13X49303G	MH13X49303G	2

**Para Obtener Partes de Reparación en México Llame al 001-800-527-2331
en EE.UU. Llame al 1-800-323-0620**

Servicio permanente – 24 horas al día al año

Por favor proporciónenos la siguiente información:

- Número de modelo
- Número de serie (si lo tiene)
- Descripción de la parte y número que le corresponde en la lista de partes

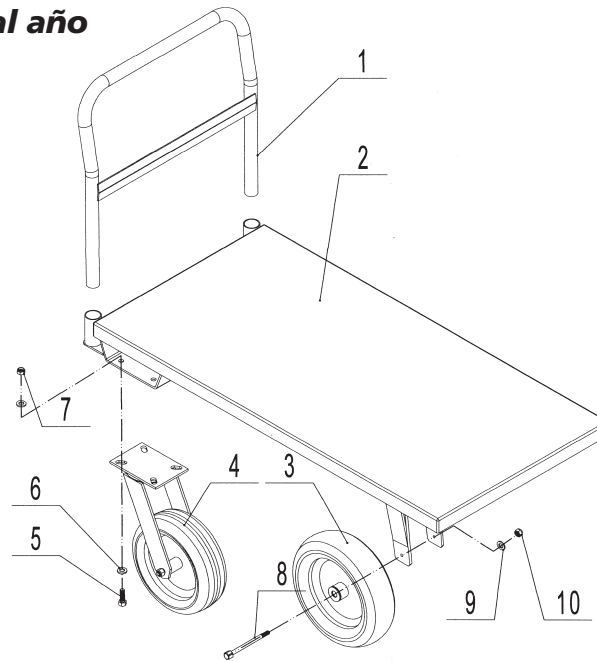


Figura 5 – Ilustración de las Partes de Reparación para 13X496 a 13X499, 13X501 y 13X502

Partes de Reparación

No. de Ref.	Descripción	Número de Parte para Modelos:						Cant.
		13X496	13X497	13X498	13X499	13X501	13X502	
1	Manubrio	S/O	S/O	S/O	S/O	S/O	S/O	1
2	Juego de herraje	S/O	S/O	S/O	S/O	S/O	S/O	1
3	Rodaje fijo con rueda	MH13X49602G	MH13X49602G	MH13X49602G	MH13X49901G	MH13X49901G	MH13X49901G	2
4	Rodaje giratorio con rueda	S004	S004	S004	MH13X49902G	MH13X49902G	MH13X49902G	2
5	Bolt, M10x25	▲	▲	▲	▲	▲	▲	8
6	Arandela, 10	▲	▲	▲	▲	▲	▲	16
7	Tuerca, M10	▲	▲	▲	▲	▲	▲	8
8	Perno, M12	◆	◆	◆	◆	◆	◆	2
9	Arandela, 12	◆	◆	◆	◆	◆	◆	2
10	Tuerca, M12	◆	◆	◆	◆	◆	◆	2
▲	Juego de Hardware del echador	NOB10X25	NOB10X25	NOB10X25	NOB10X25	NOB10X25	NOB10X25	2
◆	Juego de Hardware del echador	MH13X49601G	MH13X49601G	MH13X49601G	MH13X49601G	MH13X49601G	MH13X49601G	2

**Para Obtener Partes de Reparación en México Llame al 001-800-527-2331
en EE.UU. Llame al 1-800-323-0620**

Servicio permanente – 24 horas al día al año

Por favor proporciónenos la siguiente información:

- Número de modelo
- Número de serie (si lo tiene)
- Descripción de la parte y número que le corresponde en la lista de partes

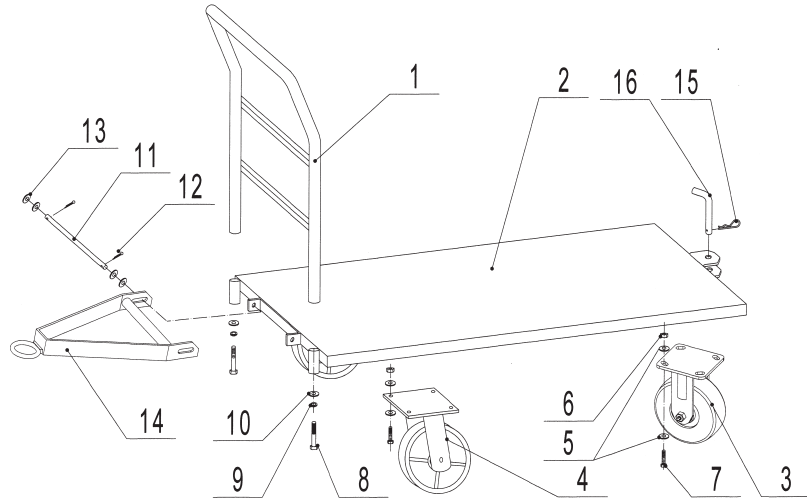


Figure 6 – Ilustración de las Partes de Reparación para 13X503 a 13X506

Partes de Reparación

No. de Ref.	Descripción	Número de Parte para Modelos:				Cant.
		13X503	13X504	13X505	13X506	
1	Manubrio	S/O	S/O	S/O	S/O	1
2	Juego de herraje	S/O	S/O	S/O	S/O	1
3	Rodaje fijo con rueda	R006	R006	R006	R006	2
4	Rodaje giratorio con rueda	S004	S004	S004	S004	2
5	Arandela, 10	▲	▲	▲	▲	32
6	Tuerca, M10	▲	▲	▲	▲	16
7	Perno, M10x25	▲	▲	▲	▲	16
8	Perno, M12x45	■	■	■	■	2
9	Arandela elástico, 12	■	■	■	■	2
10	Arandela, 12	■	■	■	■	2
11	Eje, 12	◇	◇	◇	◇	1
12	Chaveta	◇	◇	◇	◇	2
13	Arandela, 12	◇	◇	◇	◇	4
14	Barra del buey	◇	◇	◇	◇	1
15	Chaveta	▽	▽	▽	▽	1
16	Barra de la fricción	▽	▽	▽	▽	1
▲	Juego de Hardware del echador	NOB10X25	NOB10X25	NOB10X25	NOB10X25	4
■	Juego de Hardware de la manija	MH12x50G	MH12x50G	MH12x50G	MH12x50G	1
◇	Juego de Barra del buey	MH13X50301G	MH13X50301G	MH13X50301G	MH13X50301G	1
▽	Juego de Barra de la fricción	MH13X50302G	MH13X50302G	MH13X50302G	MH13X50302G	1

Para Obtener Partes de Reparación en México Llame al 001-800-527-2331 en EE.UU. Llame al 1-800-323-0620

Servicio permanente – 24 horas al día al año

Por favor proporciónenos la siguiente información:

- Número de modelo
- Número de serie (si lo tiene)
- Descripción de la parte y número que le corresponde en la lista de partes

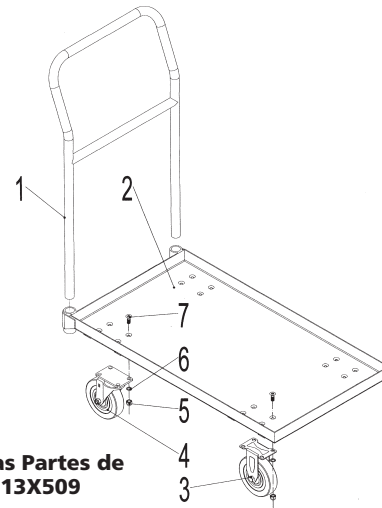
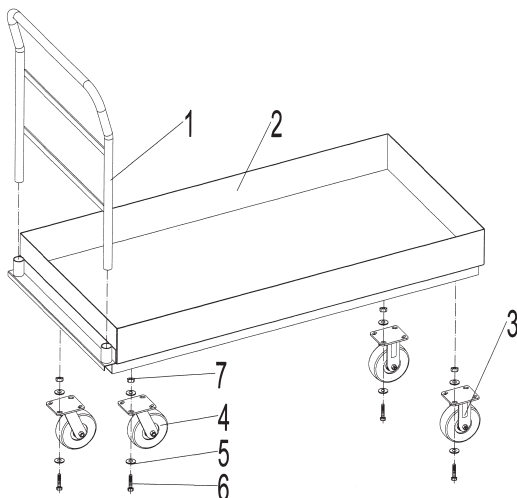


Figure 7 – Ilustración de las Partes de Reparación para 13X507 a 13X509

Partes de Reparación

No. de Ref.	Descripción	Número de Parte para Modelos:			Cant.
		13X507	13X508	13X509	
1	Manubrio	S/O	S/O	S/O	1
2	Juego de herraje	S/O	S/O	S/O	1
3	Rodaje fijo con rueda	MH13X50701G	MH13X50701G	MH13X50701G	2
4	Rodaje giratorio con rueda	MH13X50702G	MH13X50702G	MH13X50702G	2
5	Tuerca, M8	**	**	**	16
6	Arandela elástico, 8	**	**	**	16
7	Perno, M8x16	**	**	**	16

(**) Herrajes comunes que no se ofrecen como parte de repuesto.



No. de Ref.	Descripción	Número de Parte para Modelos:		
		13X507	13X508	Cant.
1	Manubrio	S/O	S/O	1
2	Juego de herraje	S/O	S/O	1
3	Rodaje fijo con rueda	R004	R004	2
4	Rodaje giratorio con rueda	S002	S002	2
5	Arandela, 10	▲	▲	32
6	Perno, M10x25	▲	▲	16
7	Tuerca, M10	▲	▲	16
▲	Juego de Hardware del echador	NOB10X25	NOB10X25	4

Figure 7 – Ilustración de las Partes de Reparación para 13X510 y 13X511

Modelos 13X483 a 13X511

Ensamble

Herramientas necesitadas: martillo y llave ajustable.

1. Quite el contenido del cartón.
2. Usando cuatro tornillos, cuatro tuercas y cuatro arandelas por rodaje, fije los rodajes a la plataforma.
3. Una las tuercas de fijación y apriete con seguridad.
4. Monte el manubrio en cualquiera de los extremos de la carretilla.

Mantenimiento

Verifique el apriete de los pernos y las tuercas cada 6 meses.

Lubrique las ruedecillas utilizando grasa a base de litio para trabajos pesados para carretillas portadoras según sea necesario. Reemplace los componentes desgastados según sea necesario.

Tabla de Identificación de Problemas

Síntoma	Causa(s) Posible(s)	Medida Correctiva
Para empujar difícilmente o ruido que muele	Ruedecilla	Reemplazo

GARANTIA LIMITADA

GARANTIA LIMITADA DE DAYTON POR UN AÑO. Dayton Electric Mfg. Co., (Dayton) le garantiza al usuario original que los modelos tratados en este manual de la Carretilla industrial de plataforma Dayton® están libres de defectos en la mano de obra o el material, cuando se les somete a uso normal, por un año a partir de la fecha de compra. Cualquier parte que se encuentre defectuosa, tanto en el material como en la mano de obra, y sea devuelta a un lugar de servicio autorizado designado por Dayton, con los costos de envío pagados por adelantado, será reparada o reemplazada a la discreción de Dayton como remedio exclusivo. Para obtener la información sobre los procedimientos de reclamo cubiertos en la garantía limitada vea ATENCION OPORTUNA a continuación. Esta garantía limitada confiere a los compradores derechos legales específicos que varían de jurisdicción a jurisdicción.

LIMITES DE RESPONSABILIDAD. EN LA MEDIDA EN QUE LAS LEYES APLICABLES LO PERMITAN, LA RESPONSABILIDAD DE DAYTON POR LOS DAÑOS EMERGENTES O INCIDENTALES ESTA EXPRESAMENTE EXCLUIDA. LA RESPONSABILIDAD DE DAYTON EXPRESAMENTE ESTA LIMITADA Y NO PUEDE EXCEDER EL PRECIO DE COMPRA PAGADO POR EL ARTICULO.

EXCLUSION DE RESPONSABILIDAD DE LA GARANTIA. SE HAN HECHO ESFUERZOS DILIGENTES PARA PROPORCIONAR INFORMACION E ILUSTRACIONES APROPIADAS SOBRE EL PRODUCTO EN ESTE MANUAL; SIN EMBARGO, ESTA INFORMACION Y LAS ILUSTRACIONES TIENEN COMO UNICO PROPOSITO LA IDENTIFICACION DEL PRODUCTO Y NO EXPRESAN NI IMPLICAN GARANTIA DE QUE LOS PRODUCTOS SEAN VENDIBLES O ADECUADOS PARA UN PROPOSITO EN PARTICULAR NI QUE SE AJUSTAN NECESARIAMENTE A LAS ILUSTRACIONES O DESCRIPCIONES. CON EXCEPCION DE LO QUE SE ESTABLECE A CONTINUACION, DAYTON NO HACE NI AUTORIZA NINGUNA GARANTIA O AFIRMACION DE HECHO, EXPRESA O IMPLICITA, QUE NO SEA ESTIPULADA EN LA "GARANTIA LIMITADA" ANTERIOR.

Consejo Técnico y Recomendaciones, Exclusiones de Responsabilidad. A pesar de las prácticas, negociaciones o usos comerciales realizados previamente, las ventas no deberán incluir el suministro de consejo técnico o asistencia o diseño del sistema. Dayton no asume ninguna obligación o responsabilidad por recomendaciones, opiniones o consejos no autorizados sobre la elección, instalación o uso de los productos.

Adaptación del Producto. Muchas jurisdicciones tienen códigos o regulaciones que rigen la venta, la construcción, la instalación y/o el uso de productos para ciertos propósitos que pueden variar con respecto a los aplicables a las zonas vecinas. Si bien se trata de que los productos Dayton cumplan con dichos códigos, no se puede garantizar su conformidad y no se puede hacer responsable por la forma en que se instale o use su producto. Antes de comprar y usar el producto, revise su aplicación y todos los códigos y regulaciones nacionales y locales aplicables y asegúrese de que el producto, la instalación y el uso los cumplan.

Ciertos aspectos de limitación de responsabilidad no se aplican a productos al consumidor; es decir (a) algunas jurisdicciones no permiten la exclusión ni limitación de daños incidentales o consecuentes, de modo que las limitaciones o exclusiones anteriores quizás no apliquen en su caso; (b) asimismo, algunas jurisdicciones no permiten limitar el plazo de una garantía implícita, por lo tanto, la limitación anterior quizás no aplique en su caso; y (c) por ley, mientras la Garantía Limitada esté vigente no podrán excluirse ni limitarse en modo alguno ninguna garantía implícita de comercialización o de idoneidad para un propósito en particular aplicables a los productos al consumidor adquiridos por éste.

Atención Oportuna. Se hará un esfuerzo de buena fe para corregir puntualmente, o hacer otros ajustes, con respecto a cualquier producto que resulte defectuoso dentro de los términos de esta garantía limitada. En el caso de que encuentre un producto defectuoso y que esté cubierto dentro de los límites de esta garantía haga el favor de escribir primero, o llame, al distribuidor a quien le compró el producto. El distribuidor le dará las instrucciones adicionales. Si no puede resolver el problema en forma satisfactoria, escriba a Dayton a la dirección a continuación, dando el nombre del distribuidor, su dirección, la fecha y el número de la factura del distribuidor y describa la naturaleza del defecto. La propiedad del artículo y el riesgo de pérdida pasan al comprador en el momento de la entrega del artículo a la compañía de transporte. Si el producto se daña durante el transporte, debe presentar su reclamo a la compañía transportista.

Fabricado para Dayton Electric Mfg. Co., 5959 W. Howard St., Niles, Illinois 60714-4014 EE.UU.

Veillez lire et conserver ces instructions. Lire attentivement avant de commencer à assembler, installer, faire fonctionner ou entretenir l'appareil décrit. Protégez-vous et les autres en observant toutes les informations sur la sécurité. Négliger d'appliquer ces instructions peut résulter en des blessures corporelles et/ou en des dommages matériels ! Conserver ces instructions pour références ultérieures.

Chariots de manutention à plate-forme Dayton®

Description

Les chariots de manutention à plate-forme Dayton procurent une grande maniabilité dans les allées et les zones étroites. Conçus pour une utilisation dans les centres de réception et d'expédition, entrepôts, ateliers, laboratoires, magasins, etc. Chaque dispositif est muni d'une plate-forme (avec poignée et pièces de montage de roulettes), de deux roulettes fixes et de deux roulettes pivotantes.



Figure - 1 Chariots de manutention à plate-forme



Figure - 2 Motifs de montage des roulettes

Modèle	Capacité de charge ultime	Dimensions de la plate-forme		Roulette	Type
		L (mm)	W (mm)	Dimensions(mm)	
13X483	545kg	914	610	200	Pneumatique
13X484	545	1220	610	200	Pneumatique
13X485	545	1524	610	200	Pneumatique
13X486	545	1524	762	200	Pneumatique
13X487	795	1220	610	305,254	Pneumatique
13X488	795	1524	762	305,254	Pneumatique
13X489	795	1829	914	305,254	Pneumatique
13X490	908	1220	610	150	Polypropylène
13X491	908	1220	762	150	Polypropylène
13X492	908	1524	762	150	Polypropylène
13X493	1135	1220	610	406,305	Pneumatique
13X494	1135	1524	762	406,305	Pneumatique
13X495	1135	1829	914	406,305	Pneumatique
13X496	1362	1220	610	254,200	Caoutchouc moulé
13X497	1362	1524	762	254,200	Caoutchouc moulé
13X498	1362	1829	914	254,200	Caoutchouc moulé
13X499	1816	1220	610	254,200	Poly/acier
13X501	1816	1524	762	254,200	Poly/acier
13X502	1816	1829	914	254,200	Poly/acier
13X503	908	1524	762	200	Caoutchouc moulé
13X504	908	1524	914	200	Caoutchouc moulé
13X505	908	1829	762	200	Caoutchouc moulé
13X506	908	1829	914	200	Caoutchouc moulé
13X507	545	813	457	125	Poly/acier
13X508	545	914	610	125	Poly/acier
13X509	545	1220	610	125	Poly/acier
13X510	908	1220	610	125	Polypropylène
13X511	908	1524	762	125	Polypropylène

(*)Poids maximum recommandé et généralement admis pouvant être transportés sur un chariot à opération manuelle et sur une surface relativement dure (tel que du béton avec des obstacles mineurs).

Commandez les pièces détachées en appelant gratuitement 1 800 323-0620

24 heures par jour – 365 jours par an

S'il vous plaît fournir l'information suivante :

- Numéro de modèle
- Numéro de série (s'il y en a un)
- Description de la pièce et son numéro comme montré sur la liste de pièces

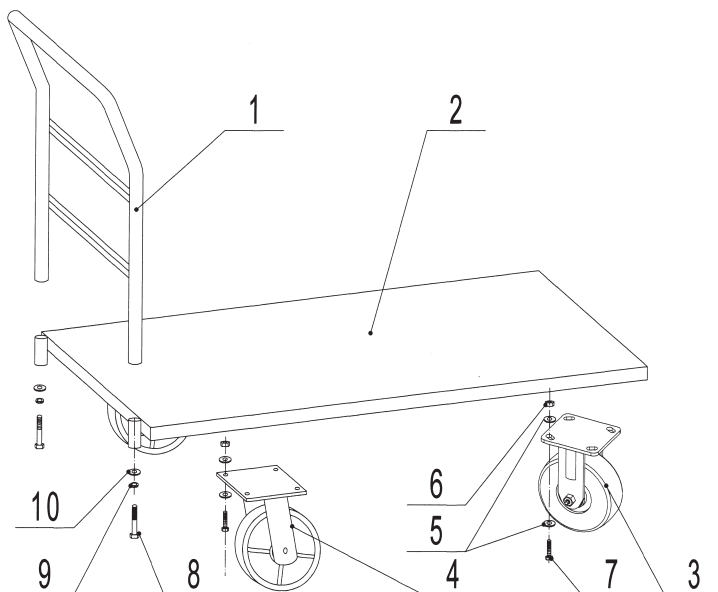


Figure 3 – Illustration des pièces détachées pour 13X483 à 13X486, 13X490 à 13X492

Liste des pièces détachées

N° de réf.	Description	Numéro de pièce pour modèles :							Qte.
		13X483	13X484	13X485	13X486	13X490	13X491	13X492	
1	Poignée	N/A	N/A	N/A	N/A	N/A	N/A	N/A	1
2	Plate-forme	N/A	N/A	N/A	N/A	N/A	N/A	N/A	1
3	Roulette rigide	MH13X48301G	MH13X48301G	MH13X48301G	MH13X48301G	R005	R005	R005	2
4	Roulette pivotante	MH13X48302G	MH13X48302G	MH13X48302G	MH13X48302G	S003	S003	S003	2
5	Rondelle, 10	▲	▲	▲	▲	▲	▲	▲	32
6	Écrou, M10	▲	▲	▲	▲	▲	▲	▲	16
7	Boulon, M10x25	▲	▲	▲	▲	▲	▲	▲	16
8	Boulon, M12x45	■	■	■	■	■	■	■	2
9	Rondelle élastique, 12	■	■	■	■	■	■	■	2
10	Rondelle, 12	■	■	■	■	■	■	■	2
▲	Kit de matériel de roulette	NOB10X25	NOB10X25	NOB10X25	NOB10X25	NOB10X25	NOB10X25	NOB10X25	4
■	Kit de matériel de poignée	MH12x50G	MH12x50G	MH12x50G	MH12x50G	MH12x50G	MH12x50G	MH12x50G	1

FRANÇAIS

Commandez les pièces détachées en appelant gratuitement 1 800 323-0620

24 heures par jour – 365 jours par an

S'il vous plaît fournir l'information suivante :

- Numéro de modèle
- Numéro de série (s'il y en a un)
- Description de la pièce et son numéro comme montré sur la liste de pièces

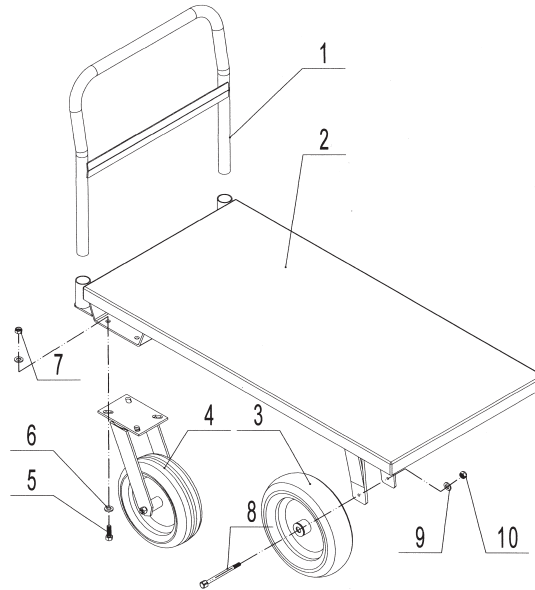


Figure 4 – Illustration des pièces détachées pour 13X487 à 13X489, 13X493 à 13X495

Liste des pièces détachées

N° de réf.	Description	Numéro de pièce pour modèles :						Qte.
		13X487	13X488	13X489	13X493	13X494	13X495	
1	Poignée	N/A	N/A	N/A	N/A	N/A	N/A	1
2	Plate-forme	N/A	N/A	N/A	N/A	N/A	N/A	1
3	Roulette rigide	MH13X48701G	MH13X48701G	MH13X48701G	MH13X49301G	MH13X49301G	MH13X49301G	2
4	Roulette pivotante	C7208	C7208	C7208	MH13X49302G	MH13X49302G	MH13X49302G	2
5	Boulon, M10x25	▲	▲	▲	▲	▲	▲	8
6	Rondelle,10	▲	▲	▲	▲	▲	▲	16
7	Écrou, M10	▲	▲	▲	▲	▲	▲	8
8	Boulon, M12	■	■	■	■	■	■	2
9	Rondelle,12	■	■	■	■	■	■	2
10	Écrou, M12	■	■	■	■	■	■	2
▲	Kit de matériel de roulette	NOB10X25	NOB10X25	NOB10X25	NOB10X25	NOB10X25	NOB10X25	2
■	Kit rigide de matériel de roue	MH13X48702G	MH13X48702G	MH13X48702G	MH13X49303G	MH13X49303G	MH13X49303G	2

FRANÇAIS

Commandez les pièces détachées en appelant gratuitement 1 800 323-0620

24 heures par jour – 365 jours par an

S'il vous plaît fournir l'information suivante :

- Numéro de modèle
- Numéro de série (s'il y en a un)
- Description de la pièce et son numéro comme montré sur la liste de pièces

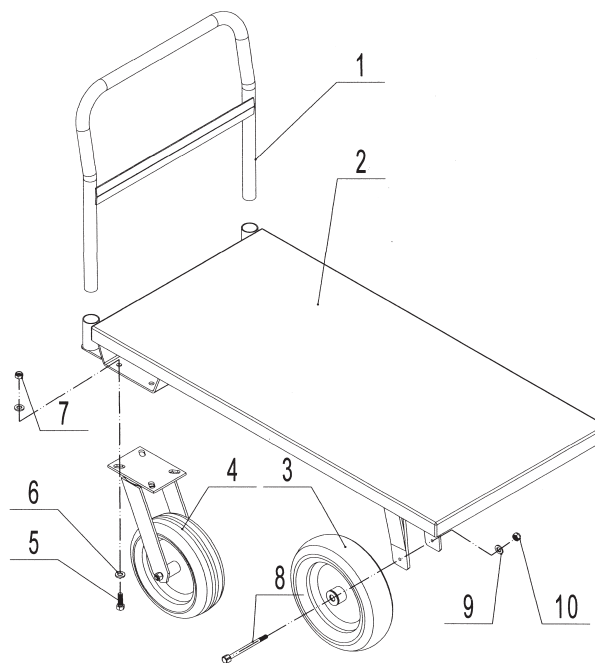


Figure 5 – Illustration des pièces détachées pour 13X496 à 13X499, 13X501 et 13X502

Liste des pièces détachées

N° de réf.	Description	Numéro de pièce pour modèles :						Qte.
		13X496	13X497	13X498	13X499	13X501	13X502	
1	Poignée	N/A	N/A	N/A	N/A	N/A	N/A	1
2	Plate-forme	N/A	N/A	N/A	N/A	N/A	N/A	1
3	Roulette rigide	MH13X49602G	MH13X49602G	MH13X49602G	MH13X49901G	MH13X49901G	MH13X49901G	2
4	Roulette pivotante	S004	S004	S004	MH13X49902G	MH13X49902G	MH13X49902G	2
5	Boulon, M10x25	▲	▲	▲	▲	▲	▲	8
6	Rondelle, 10	▲	▲	▲	▲	▲	▲	16
7	Écrou, M10	▲	▲	▲	▲	▲	▲	8
8	Boulon, M12	◆	◆	◆	◆	◆	◆	2
9	Rondelle, 12	◆	◆	◆	◆	◆	◆	2
10	Écrou, M12	◆	◆	◆	◆	◆	◆	2
▲	Kit de matériel de roulette	NOB10X25	NOB10X25	NOB10X25	NOB10X25	NOB10X25	NOB10X25	2
◆	Kit rigide de matériel de roue	MH13X49601G	MH13X49601G	MH13X49601G	MH13X49601G	MH13X49601G	MH13X49601G	2

FRANÇAIS

Commandez les pièces détachées en appelant gratuitement 1 800 323-0620

24 heures par jour – 365 jours par an

S'il vous plaît fournir l'information suivante :

- Numéro de modèle
- Numéro de série (s'il y en a un)
- Description de la pièce et son numéro comme montré sur la liste de pièces

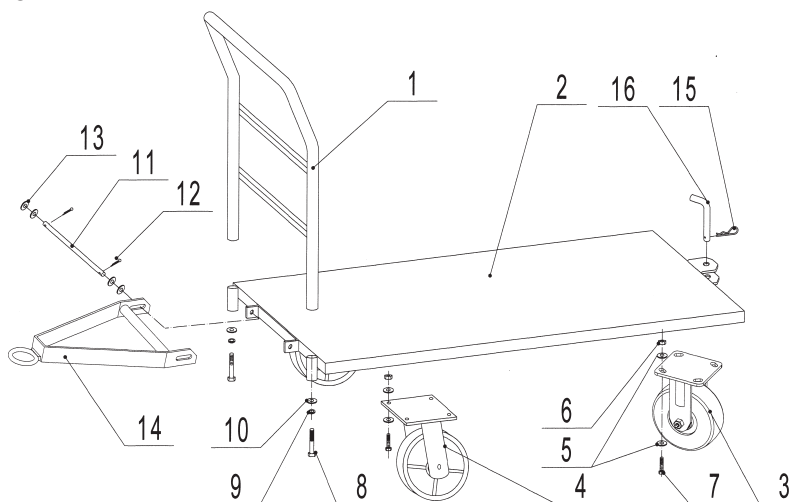


Figure 6 – Illustration des pièces détachées pour 13X503 à 13X506

Liste des pièces détachées

N° de réf.	Description	Numéro de pièce pour modèles :				Qte.
		13X503	13X504	13X505	13X506	
1	Poignée	N/A	N/A	N/A	N/A	1
2	Plate-forme	N/A	N/A	N/A	N/A	1
3	Roulette rigide	R006	R006	R006	R006	2
4	Roulette pivotante	S004	S004	S004	S004	2
5	Rondelle,10	▲	▲	▲	▲	32
6	Écrou, M10	▲	▲	▲	▲	16
7	Boulon,M10x25	▲	▲	▲	▲	16
8	Boulon, M12x45	■	■	■	■	2
9	Rondelle élastique,12	■	■	■	■	2
10	Rondelle,12	■	■	■	■	2
11	Arbre, 12	◇	◇	◇	◇	1
12	Goupille fendue	◇	◇	◇	◇	2
13	Rondelle, 12	◇	◇	◇	◇	4
14	Barre de boeuf	◇	◇	◇	◇	1
15	Goupille fendue	▽	▽	▽	▽	1
16	Barre de drague	▽	▽	▽	▽	1
▲	Kit de matériel de roulette	NOB10X25	NOB10X25	NOB10X25	NOB10X25	4
■	Kit de matériel de poignée	MH12x50G	MH12x50G	MH12x50G	MH12x50G	1
◇	Kit de Barre de boeuf	MH13X50301G	MH13X50301G	MH13X50301G	MH13X50301G	1
▽	Kit de Barre de drague	MH13X50302G	MH13X50302G	MH13X50302G	MH13X50302G	1

Commandez les pièces détachées en appelant gratuitement 1 800 323-0620

24 heures par jour – 365 jours par an

S'il vous plaît fournir l'information suivante :

- Numéro de modèle
- Numéro de série (s'il y en a un)
- Description de la pièce et son numéro comme montré sur la liste de pièces

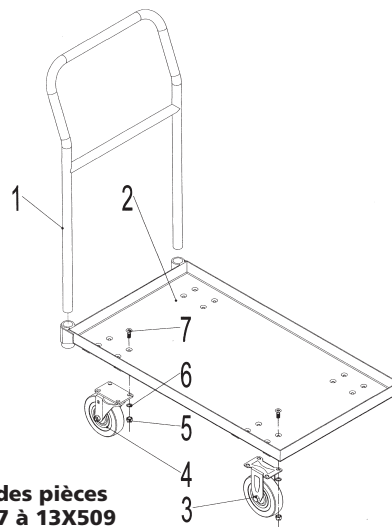
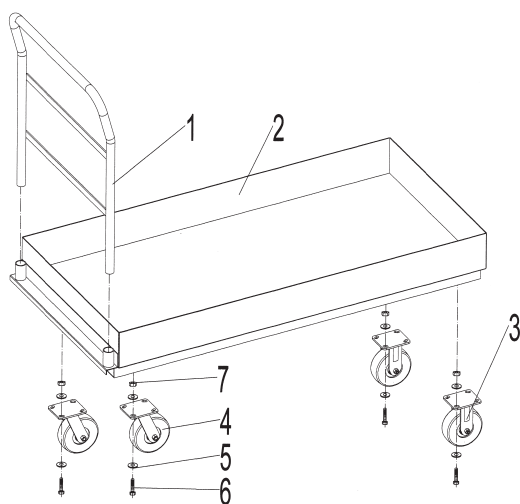


Figure 7 – Illustration des pièces détachées pour 13X507 à 13X509

Liste des pièces détachées

N° de réf.	Description	Numéro de pièce pour modèles :			Qte.
		13X507	13X508	13X509	
1	Poignée	N/A	N/A	N/A	1
2	Plate-forme	N/A	N/A	N/A	1
3	Roulette rigide	MH13X50701G	MH13X50701G	MH13X50701G	2
4	Roulette pivotante	MH13X50702G	MH13X50702G	MH13X50702G	2
5	Écrou, M8	**	**	**	16
6	Rondelle élastique, 8	**	**	**	16
7	Boulon, M8x16	**	**	**	16

(**) Article de quincaillerie ordinaire qui n'est pas offert comme pièce de rechange.



N° de réf.	Description	Numéro de pièce pour modèles :		Qte.
		13X507	13X508	
1	Poignée	N/A	N/A	1
2	Plate-forme	N/A	N/A	1
3	Roulette rigide	R004	R004	2
4	Roulette pivotante	S002	S002	2
5	Rondelle, 10	▲	▲	32
6	Boulon, M10x25	▲	▲	16
7	Écrou, M10	▲	▲	16
▲	Kit de matériel de roulette	NOB10X25	NOB10X25	4

Figure 7 – Illustration des pièces détachées pour 13X510 et 13X511

Modèles 13X483 à 13X511

Assemblage

Outils requis : marteau et clé réglable.

1. Enlevez le contenu du carton.
2. À l'aide de quatre boulons et quatre rondelles par roulette, fixer la roulette sur la plate-forme.
3. Attachez les contre-écrous et serrez solidement.
4. Insérer la poignée dans l'une des extrémités du chariot.

Entretien

Vérifier tous les six (6) mois que les boulons et les écrous sont bien serrés. Lubrifier les roulettes avec de la graisse industrielle tout usage au lithium pour chariots à plate-forme, selon le besoin. Remplacer les composants usés selon le besoin.

Tableau de dépannage

Symptôme	Cause(s) possible(s)	Action corrective
Pousser dur ou grincement	Roulettes	Remplacement

LIMITED WARRANTY

DAYTON ONE-YEAR LIMITED WARRANTY. DAYTON® CHARIOTS DE MANUTENTION À PLATE-FORME, MODELS COVERED IN THIS MANUAL, ARE WARRANTED BY DAYTON ELECTRIC MFG. CO. (DAYTON) TO THE ORIGINAL USER AGAINST DEFECTS IN WORKMANSHIP OR MATERIALS UNDER NORMAL USE FOR ONE YEAR AFTER DATE OF PURCHASE. ANY PART WHICH IS DETERMINED TO BE DEFECTIVE IN MATERIAL OR WORKMANSHIP AND RETURNED TO AN AUTHORIZED SERVICE LOCATION, AS DAYTON DESIGNATES, SHIPPING COSTS PREPAID, WILL BE, AS THE EXCLUSIVE REMEDY, REPAIRED OR REPLACED AT DAYTON'S OPTION. FOR LIMITED WARRANTY CLAIM PROCEDURES, SEE "PROMPT DISPOSITION" BELOW. THIS LIMITED WARRANTY GIVES PURCHASERS SPECIFIC LEGAL RIGHTS WHICH VARY FROM JURISDICTION TO JURISDICTION.

LIMITATION OF LIABILITY. TO THE EXTENT ALLOWABLE UNDER APPLICABLE LAW, DAYTON'S LIABILITY FOR CONSEQUENTIAL AND INCIDENTAL DAMAGES IS EXPRESSLY DISCLAIMED. DAYTON'S LIABILITY IN ALL EVENTS IS LIMITED TO AND SHALL NOT EXCEED THE PURCHASE PRICE PAID.

WARRANTY DISCLAIMER. A DILIGENT EFFORT HAS BEEN MADE TO PROVIDE PRODUCT INFORMATION AND ILLUSTRATE THE PRODUCTS IN THIS LITERATURE ACCURATELY; HOWEVER, SUCH INFORMATION AND ILLUSTRATIONS ARE FOR THE SOLE PURPOSE OF IDENTIFICATION, AND DO NOT EXPRESS OR IMPLY A WARRANTY THAT THE PRODUCTS ARE MERCHANTABLE, OR FIT FOR A PARTICULAR PURPOSE, OR THAT THE PRODUCTS WILL NECESSARILY CONFORM TO THE ILLUSTRATIONS OR DESCRIPTIONS. EXCEPT AS PROVIDED BELOW, NO WARRANTY OR AFFIRMATION OF FACT, EXPRESSED OR IMPLIED, OTHER THAN AS STATED IN THE "LIMITED WARRANTY" ABOVE IS MADE OR AUTHORIZED BY DAYTON.

Technical Advice and Recommendations, Disclaimer. Notwithstanding any past practice or dealings or trade custom, sales shall not include the furnishing of technical advice or assistance or system design. Dayton assumes no obligations or liability on account of any unauthorized recommendations, opinions or advice as to the choice, installation or use of products.

Product Suitability. Many jurisdictions have codes and regulations governing sales, construction, installation, and/or use of products for certain purposes, which may vary from those in neighboring areas. While attempts are made to assure that Dayton products comply with such codes, Dayton cannot guarantee compliance, and cannot be responsible for how the product is installed or used. Before purchase and use of a product, review the product applications, and all applicable national and local codes and regulations, and be sure that the product, installation, and use will comply with them.

Certain aspects of disclaimers are not applicable to consumer products; e.g., (a) some jurisdictions do not allow the exclusion or limitation of incidental or consequential damages, so the above limitation or exclusion may not apply to you; (b) also, some jurisdictions do not allow a limitation on how long an implied warranty lasts, consequently the above limitation may not apply to you; and (c) by law, during the period of this Limited Warranty, any implied warranties of implied merchantability or fitness for a particular purpose applicable to consumer products purchased by consumers, may not be excluded or otherwise disclaimed.

Prompt Disposition. A good faith effort will be made for prompt correction or other adjustment with respect to any product which proves to be defective within limited warranty. For any product believed to be defective within limited warranty, first write or call dealer from whom the product was purchased. Dealer will give additional directions. If unable to resolve satisfactorily, write to Dayton at address below, giving dealer's name, address, date, and number of dealer's invoice, and describing the nature of the defect. Title and risk of loss pass to buyer on delivery to common carrier. If product was damaged in transit to you, file claim with carrier.

Manufactured for Dayton Electric Mfg. Co., 5959 W. Howard St., Niles, Illinois 60714-4014 U.S.A.

FRANCAIS



