

Please read and save these instructions. Read carefully before attempting to assemble, install, operate or maintain the product described. Protect yourself and others by observing all safety information. Failure to comply with instructions could result in personal injury and/or property damage! Retain instructions for future reference.

Dayton® Manual Hydraulic Fork and Platform Lifts

Description

Dayton Fork and Platform Lifts are designed for manual lifting, lowering, and transporting of loads on firm and level surfaces, including workshops, warehouses, stockrooms, receiving departments, throughout a plant, and wherever aisles and congested areas prevent the use of larger equipment. Lifts are available with a fixed platform or adjustable forks and a removable platform. All units have 2 swivel locking casters and 2 rigid wheels.

NOTE: Specifications for multiple types of lifts may be described in these Operating Instructions. During operation and maintenance, apply the relevant aspects for the Dayton Fork Lift or Platform Lift that you have purchased.

Unpacking

Your Dayton Fork or Platform Lift comes fully assembled. Inspect the lift for transit damage before operation. Refer to the replacement parts illustration and list in identifying parts. If damage is evident, notify delivering carrier immediately and file necessary claims.

▲ WARNING Before initial use, remove the temporary shipping plug (22 and 23) and replace it with the Vented Drain Plug (MH2MPT221G) provided.

General Safety Information

▲ CAUTION Carefully read all manuals included with this product before putting into service. Never exceed the maximum capacity of the lift. Fully read and

Specifications

Model	Item	Load Cap.*	Max. Lifting Height	Min. Lifting Height	Platform/Fork Length	Platform Width	Overall Length	Overall Width	Overall Height	Load Center**
4ECW6	Fork Lift	880 lbs.	47"	3.4"	25.6"	22.7"	40.7"	23.6"	56.1"	13.5"
4ECW7	Fork Lift	880	59	3.4	25.6	22.7	40.7	23.6	67.9	13.5
4ECW8	Platform Lift	880	33.5	8	25.6	21.5	40	23.2	38.6	13.5
4ECW9	Platform Lift	880	47	8	25.6	21.5	40	23.2	52.4	13.5
4ECX1	Platform Lift	880	59	8	25.6	21.5	40	23.2	64.2	13.5

(*) Maximum load capacity rating is for evenly distributed load.

(**) Read and understand load center restrictions.

follow the instructions for Releasing Air from The Pump in the Maintenance section of this manual before putting your Dayton lift into service.

▲ WARNING Never exceed the maximum capacity of the lift. Load must be evenly distributed and load center limits must not be exceeded.

- Only authorized and trained operators should use this product.
- Use caution and be aware of pinch and crush points. Never place hands, feet, or objects under forks or platform. Never reach into moving parts.
- Do not use on inclines or uneven surfaces.
- Never leave the load unattended in a raised position.
- Transporting or lifting persons is not permitted.

Operation

Inspect the lift prior to each use. Discontinue use immediately if any problems, defects, or repair needs are discovered.

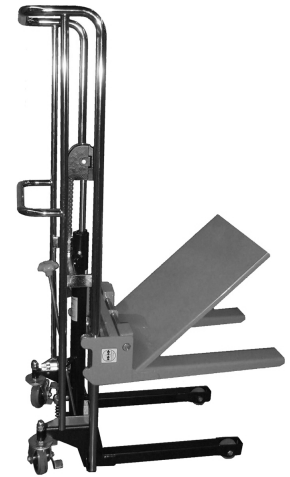


Figure 1

Pre-operation check list:

- Check the function of all moving parts, including rollers, wheels, axles, etc.
- Your lift is equipped with locking casters, check the function of those locking casters.
- Check load chain for adjustment, tension, and wear.

FOR LIFTS EQUIPPED WITH LOCKING CASTERS

Engage the caster locks when placing loads, elevating loads, and when lift is not in use.

ENGLISH

ESPAÑOL

FRANÇAIS

Dayton® Manual Hydraulic Fork and Platform Lifts

Operation (Continued)

LIFTING A LOAD

Ensure that the load does not exceed the capacity of the lift, and that the load does not exceed the size of the forks or platform. Roll the lift slowly up to the load and position the forks under the pallet/load until the back of the forks rest against the load, or manually place the load onto the platform or forks.

Raise the load by pumping the foot pedal until it reaches the desired height.

CAUTION For fork models with removable table, make sure that the lift table is adequately secured.

The load must be evenly distributed across both forks or across the platform. The load center of gravity must not be exceeded.

MOVING A LOAD

The load should be in lowest possible position (while still maintaining clearance under the load) whenever transporting a load.

Travel at a steady speed, being mindful of the load and the floor conditions.

CAUTION Do not operate the lift on gradients or uneven surfaces.

LOWERING A LOAD

Maneuver the load to its desired location and engage the caster locks. Ensure there is nothing under the load, then turn the release valve counterclockwise to lower the load to the desired height. Turn the valve slowly to control the speed of descent. Lower completely when not in use.

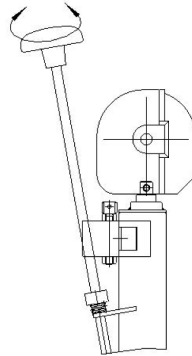


Figure 2

Maintenance

WARNING Remove loads before performing inspection or maintenance work. Only use genuine spare parts.

CHECK OIL

The oil level on the hydraulic pump should be checked every six months. Check the oil level by fully lowering forks/platform and then removing the Fill Plug (MH4ECW613G). The Oil Fill Line should be just below the fill hole.

ADDING OIL

If the forks/platform won't raise to the rated height, you may need to add hydraulic fluid. Hydraulic fluid should be ISO VG32 or equivalent with a viscosity of 30cSt at 104°F (40°C). Mixing of different fluids is prohibited! Drain oil completely if needed. Total oil volume is about 2 quarts.

DRAINING OIL

Drain oil from the Drain Plug (MH2MPT221G). Waste oil must be disposed of in an environmentally-friendly way and in accordance with regulatory authorities.

RELEASING AIR FROM THE PUMP

Air may enter the hydraulic oil during transportation or if the unit is tipped, such that the forks don't elevate immediately while pumping in the "raise" position. To release air from the pump, turn the release valve counterclockwise to the "lower" position and pump the foot pedal several times.

DAILY INSPECTION AND MAINTENANCE

Daily inspection of the lift can greatly reduce wear and maintenance. Special attention should be paid to the wheels, casters, and carriage rollers, inspecting for obstructions of any kind.

Models 4ECW6 thru 4ECW9, 4ECX1

Maintenance (Continued)

RECOMMENDED MAINTENANCE INTERVALS

DAILY:

- Check moving parts and operating controls for proper operation
- Check wheels and carriage rollers for wear or slop
- Check load chain for adjustment, tension, and wear
- Grease the chain if necessary

ONE MONTH:

- Grease joints and bearings
- Check function and turning capability of wheels and rollers
- Check hydraulic system for leakage and full range of motion

THREE MONTHS:

- Check hydraulic oil level with platform/ forks fully lowered and the lift in a horizontal position
- Check the release valve adjustment
- Check all screw and bolt connections for tightness

ONE YEAR:

- Check all parts for wear and replace defective parts as necessary
- Drain and replace hydraulic fluid
- Check readability of labels and safety warnings; replace if needed

The service life of your lift is limited. Worn parts must be replaced promptly.

⚠ WARNING *Do not attempt to repair lifts unless you are trained and authorized to do so. Serious injury could result.*

⚠ WARNING *These products may not be altered in any way without written permission from the manufacturer.*

Dayton® Manual Hydraulic Fork and Platform Lifts

Troubleshooting Chart

Symptom	Possible Cause(s)	Corrective Action
Forks/platform doesn't raise, doesn't raise fully, or raises slowly	<ol style="list-style-type: none"> 1. Low hydraulic fluid level 2. Air in the hydraulic system 3. Release valve handle (No. 18, Fig. 5) is stuck in the wrong position 4. Load is too heavy. Overload release valve is being activated 5. Temperature is too low and the hydraulic oil has become too thick 	<ol style="list-style-type: none"> 1. Add approved hydraulic fluid as noted on page 2 (in Maintenance section) 2. Follow the procedure for releasing air from the pump on page 2 (in Maintenance section) 3. Unstick and turn release valve handle (No. 18, Fig. 5) to the right position 4. Reduce load 5. Move truck to a warmer location
Forks/platform doesn't lower or doesn't lower fully	<ol style="list-style-type: none"> 1. Obstacle located under forks/platform, in fork mechanism, etc. 2. The piston rod (No. 46, Fig. 5) or pump (No. 24, Fig. 5) has deformed from excess or uneven loading 3. Forks/platform was kept in the raised position for a long time, allowing the piston rod to rust or jam 4. Release valve handle set screw (No. 17, fig. 5) has become loose 	<ol style="list-style-type: none"> 1. Use caution removing the obstacle 2. Replace the piston rod (No. 46, Fig. 5) or pump (No. 24, Fig. 5) 3. Lubricate the piston. Replace if necessary. Keep the forks/platform in the lowered position when not in use 4. Tighten the screw (No. 17, Fig. 5)
Forks/platform lower without turning the control lever to the "lower" position	<ol style="list-style-type: none"> 1. Oil impurities are preventing the release valve from fully closing 2. Some hydraulic components or seals are cracked or worn 3. Air in the hydraulic system 4. Release valve handle (No. 18, Fig. 5) is stuck in the wrong position 	<ol style="list-style-type: none"> 1. Drain and replace hydraulic fluid with approved fluid as noted on page 2 (in Maintenance section) 2. Inspect and replace components as needed 3. Follow the procedure for releasing air from the pump on page 2 (in Maintenance section) 4. Unstick and turn release valve handle (No. 18, Fig. 5) to the right position

Models 4ECW6 thru 4ECW9, 4ECX1

LIMITED WARRANTY

DAYTON ONE-YEAR LIMITED WARRANTY. DAYTON® MANUAL HYDRAULIC FORK AND PLATFORM LIFTS, MODELS COVERED IN THIS MANUAL, ARE WARRANTED BY DAYTON ELECTRIC MFG. CO. (DAYTON) TO THE ORIGINAL USER AGAINST DEFECTS IN WORKMANSHIP OR MATERIALS UNDER NORMAL USE FOR ONE YEAR AFTER DATE OF PURCHASE. ANY PART WHICH IS DETERMINED TO BE DEFECTIVE IN MATERIAL OR WORKMANSHIP AND RETURNED TO AN AUTHORIZED SERVICE LOCATION, AS DAYTON DESIGNATES, SHIPPING COSTS PREPAID, WILL BE, AS THE EXCLUSIVE REMEDY, REPAIRED OR REPLACED AT DAYTON'S OPTION. FOR LIMITED WARRANTY CLAIM PROCEDURES, SEE "PROMPT DISPOSITION" BELOW. THIS LIMITED WARRANTY GIVES PURCHASERS SPECIFIC LEGAL RIGHTS WHICH VARY FROM JURISDICTION TO JURISDICTION.

LIMITATION OF LIABILITY. TO THE EXTENT ALLOWABLE UNDER APPLICABLE LAW, DAYTON'S LIABILITY FOR CONSEQUENTIAL AND INCIDENTAL DAMAGES IS EXPRESSLY DISCLAIMED. DAYTON'S LIABILITY IN ALL EVENTS IS LIMITED TO AND SHALL NOT EXCEED THE PURCHASE PRICE PAID.

WARRANTY DISCLAIMER. A DILIGENT EFFORT HAS BEEN MADE TO PROVIDE PRODUCT INFORMATION AND ILLUSTRATE THE PRODUCTS IN THIS LITERATURE ACCURATELY; HOWEVER, SUCH INFORMATION AND ILLUSTRATIONS ARE FOR THE SOLE PURPOSE OF IDENTIFICATION, AND DO NOT EXPRESS OR IMPLY A WARRANTY THAT THE PRODUCTS ARE MERCHANTABILITY, OR FIT FOR A PARTICULAR PURPOSE, OR THAT THE PRODUCTS WILL NECESSARILY CONFORM TO THE ILLUSTRATIONS OR DESCRIPTIONS. EXCEPT AS PROVIDED BELOW, NO WARRANTY OR AFFIRMATION OF FACT, EXPRESSED OR IMPLIED, OTHER THAN AS STATED IN THE "LIMITED WARRANTY" ABOVE IS MADE OR AUTHORIZED BY DAYTON.

Technical Advice and Recommendations, Disclaimer. Notwithstanding any past practice or dealings or trade custom, sales shall not include the furnishing of technical advice or assistance or system design. Dayton assumes no obligations or liability on account of any unauthorized recommendations, opinions or advice as to the choice, installation or use of products.

Product Suitability. Many jurisdictions have codes and regulations governing sales, construction, installation, and/or use of products for certain purposes, which may vary from those in neighboring areas. While attempts are made to assure that Dayton products comply with such codes, Dayton cannot guarantee compliance, and cannot be responsible for how the product is installed or used. Before purchase and use of a product, review the product applications, and all applicable national and local codes and regulations, and be sure that the product, installation, and use will comply with them.

Certain aspects of disclaimers are not applicable to consumer products; e.g., (a) some jurisdictions do not allow the exclusion or limitation of incidental or consequential damages, so the above limitation or exclusion may not apply to you; (b) also, some jurisdictions do not allow a limitation on how long an implied warranty lasts, consequently the above limitation may not apply to you; and (c) by law, during the period of this Limited Warranty, any implied warranties of implied merchantability or fitness for a particular purpose applicable to consumer products purchased by consumers, may not be excluded or otherwise disclaimed.

Prompt Disposition. A good faith effort will be made for prompt correction or other adjustment with respect to any product which proves to be defective within limited warranty. For any product believed to be defective within limited warranty, first write or call dealer from whom the product was purchased. Dealer will give additional directions. If unable to resolve satisfactorily, write to Dayton at address below, giving dealer's name, address, date, and number of dealer's invoice, and describing the nature of the defect. Title and risk of loss pass to buyer on delivery to common carrier. If product was damaged in transit to you, file claim with carrier.

Manufactured for Dayton Electric Mfg. Co., 5959 W. Howard St., Niles, Illinois 60714-4014 U.S.A.

For Repair Parts, call 1-800-323-0620

24 hours a day – 365 days a year

Please provide following information:

- Model number
- Serial number (if any)
- Part description and number as shown in parts list

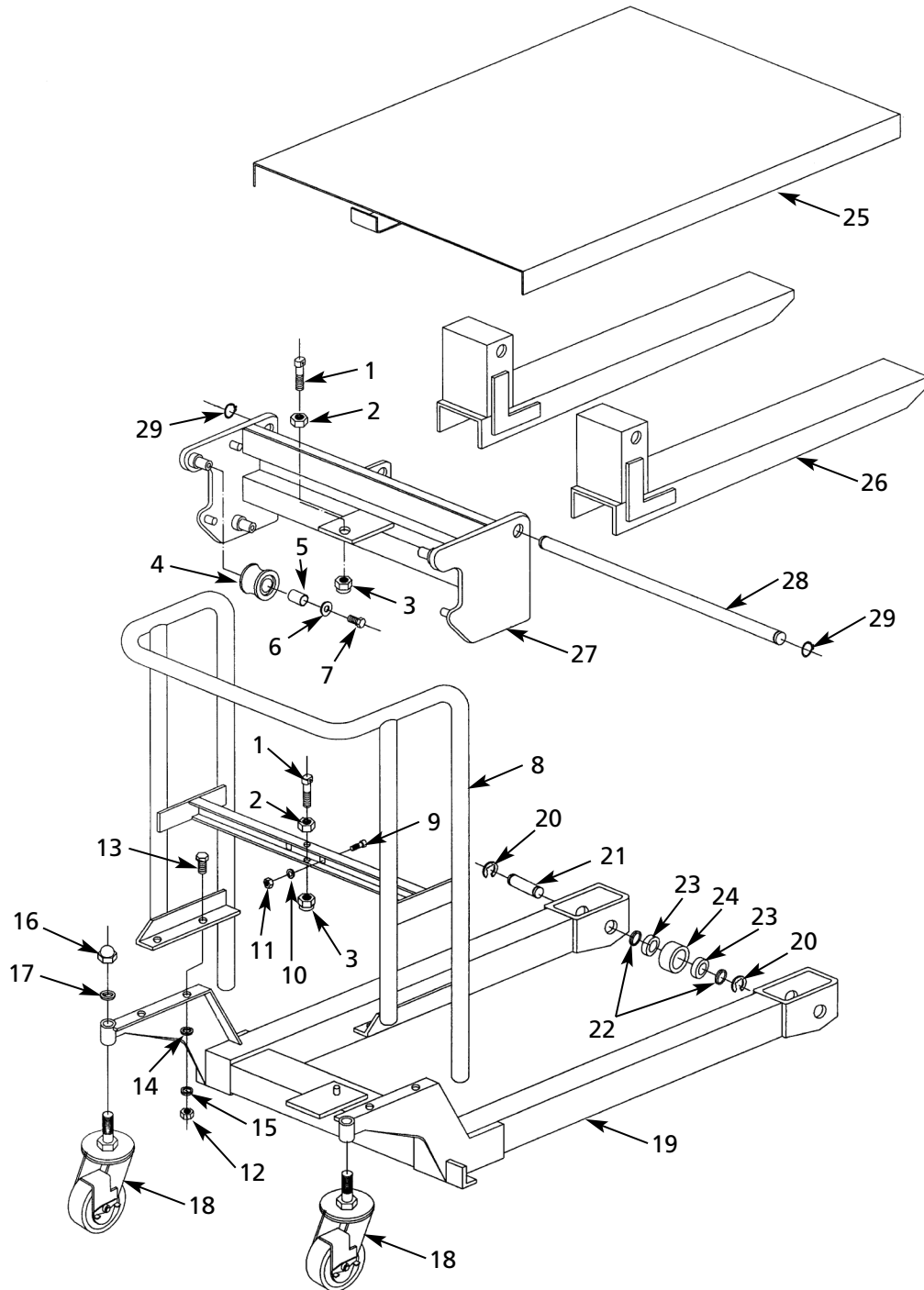


Figure 3 – Repair Parts Illustration for Adjustable Fork Platform Lift

Models 4ECW6 and 4ECW7

Repair Parts List for Adjustable Fork Platform Lift

Ref. No.	Description	Part No.	Qty.	Ref. No.	Description	Part No.	Qty.
Bolt Kit for Chain				Caster Kit			
1	Bolt	▲	1	16	Nut	▲	1
2	Nut	▲	1	17	Lock Washer	▲	1
3	Nut	▲	1	18	Caster	▲	1
Roller Kit				19	Mast Base	*	1
4	Roller	▲	1	Load Roller Kit			
5	Bushing	▲	1	20	Locking Ring	▲	2
6	Washer	▲	1	21	Axle for Roller	▲	1
7	Bolt	▲	1	22	Washer	▲	2
8	Handle (4ECW6)	*	1	23	Bearing	▲	2
	Handle (4ECW7)	*	1	24	Roller	▲	1
9	Bolt	**	2	25	Platform	MH4ECW609G	1
10	Washer	**	2	26	Fork	MH4ECW610G	2
11	Nut	**	2	27	Fork Carriage	*	1
12	Nut	**	4	Shaft Kit			
13	Bolt	**	4	28	Shaft	▲	1
14	Washer	**	4	29	Locking Ring	▲	2
15	Lock Washer	**	4	Δ	Replacement Label Kit	MH4ECW611G	1

(▲) Available as part of kit only.

(*) Not available as repair part.

(**) Common hardware, not offered as a replacement part.

(Δ) Not Shown.

For Repair Parts, call 1-800-323-0620

24 hours a day – 365 days a year

Please provide following information:

- Model number
- Serial number (if any)
- Part description and number as shown in parts list

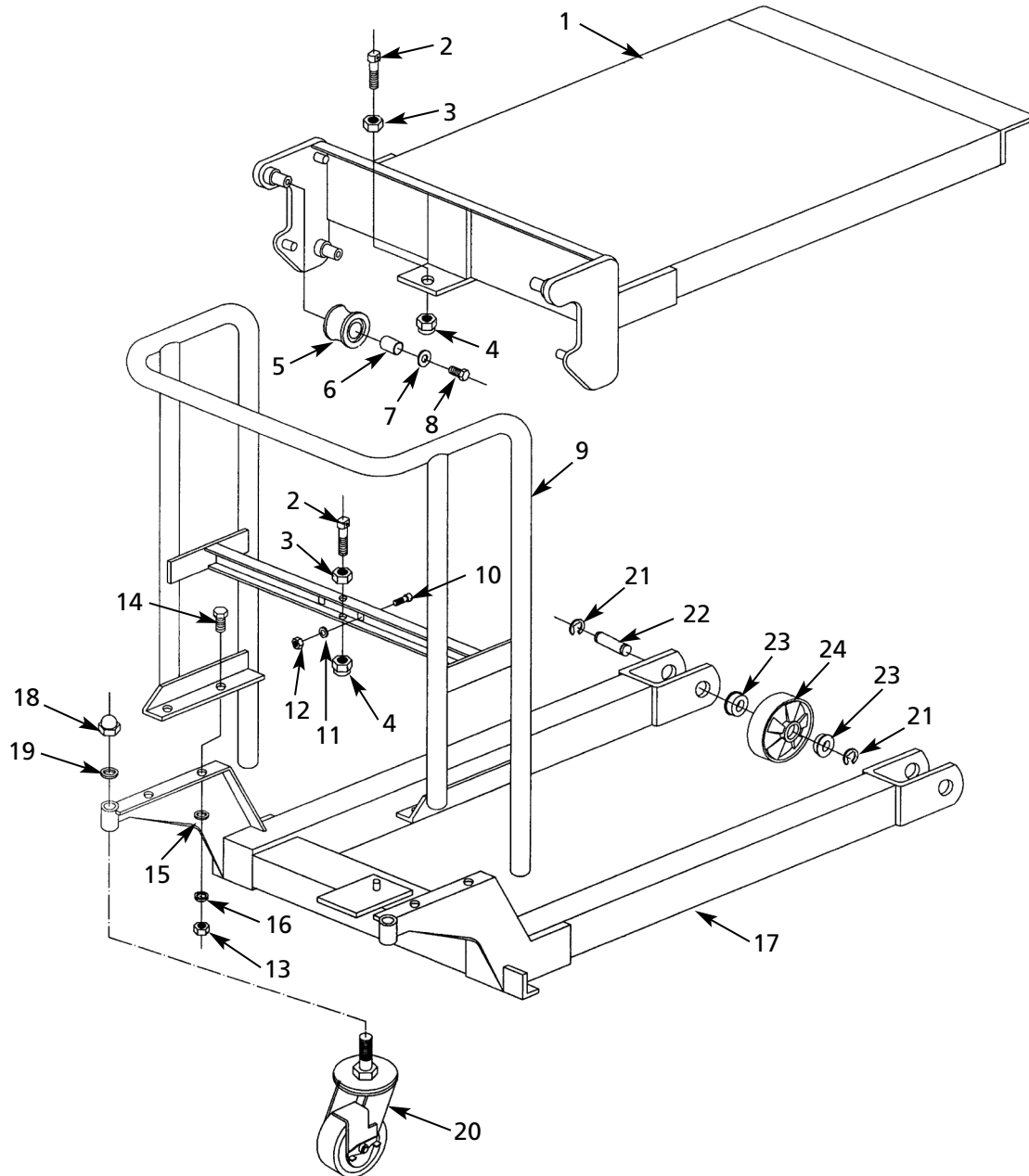


Figure 4 – Repair Parts Illustration for Platform Lift

Models 4ECW8, 4ECW9 and 4ECX1

Repair Parts List for Platform Lift

Ref. No.	Description	Part No.	Qty.	Ref. No.	Description	Part No.	Qty.
1	Platform	MH4ECW801G	1	12	Nut	**	2
	Bolt Kit for Chain	MH4ECW601G	2	13	Nut	**	4
2	Bolt	▲	1	14	Bolt	**	4
3	Nut	▲	1	15	Washer	**	4
4	Nut	▲	1	16	Lock Washer	**	4
	Roller Kit	MH4ECW602G	4	17	Mast Base	*	1
5	Roller	▲	1		Caster Kit	MH4ECW803G	2
6	Bushing	▲	1	18	Nut	▲	1
7	Washer	▲	1	19	Lock Washer	▲	1
8	Bolt	▲	1	20	Caster	▲	1
9	Handle (4ECW8)	*	1		Load Roller Kit	MH4ECW804G	2
	Handle (4ECW9)	*	1	21	Locking Ring	▲	2
	Handle (4ECX1)	*	1	22	Shaft	▲	1
10	Bolt	**	2	23	Bearing	▲	2
11	Washer	**	2	24	Loading Roller	▲	1

(▲) Available as part of kit only.

(*) Not available as repair part.

(**) Common hardware, not offered as a replacement part.

For Repair Parts, call 1-800-323-0620

24 hours a day – 365 days a year

Please provide following information:

- Model number
- Serial number (if any)
- Part description and number as shown in parts list

ENGLISH

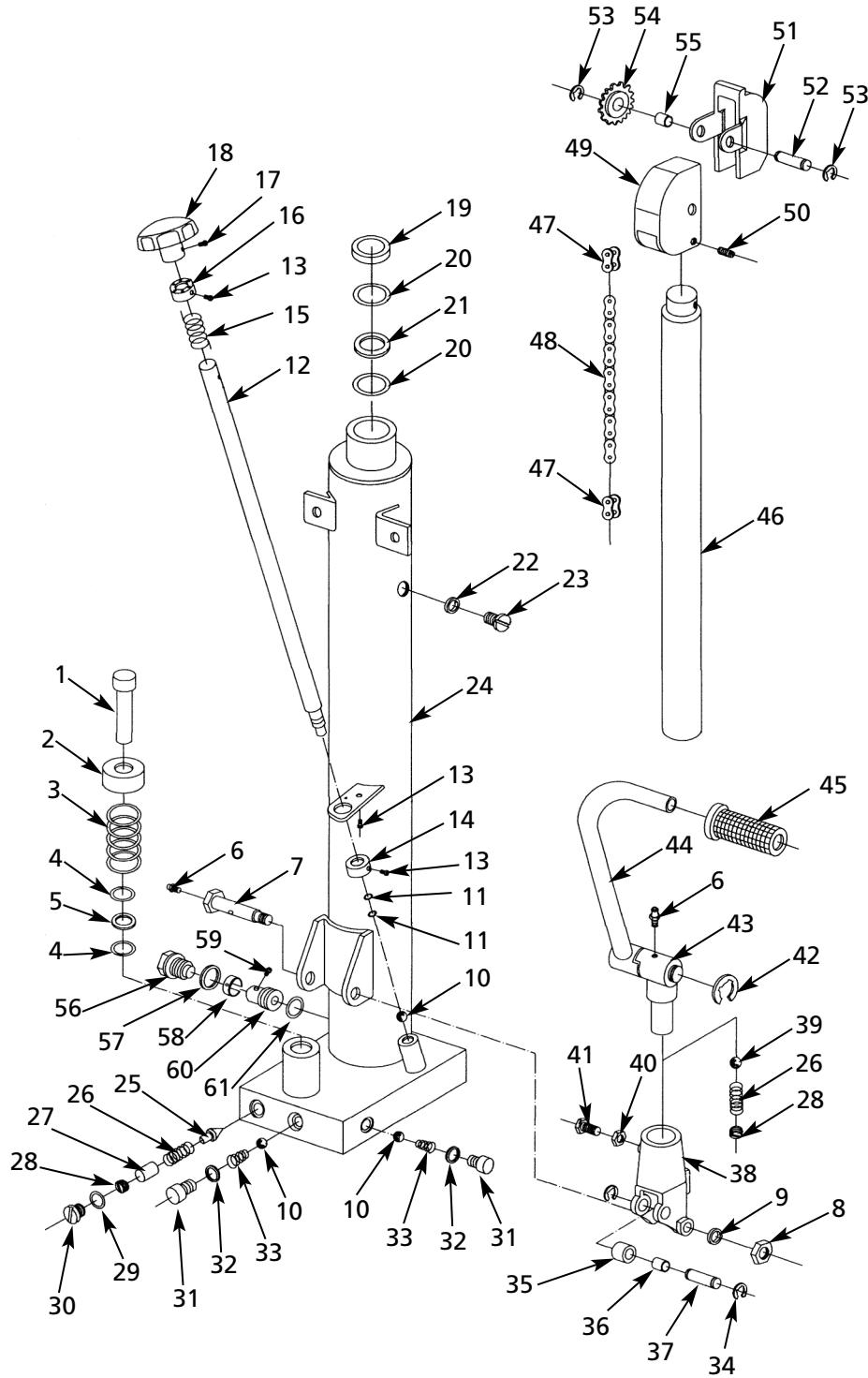


Figure 5 – Repair Parts Illustration for Platform Pump

Models 4ECW6 thru 4ECW9, 4ECX1

Repair Parts List for Platform Pump

Ref. No.	Description	Part No.	Qty.	Ref. No.	Description	Part No.	Qty.
	Pump Piston Kit	MH2MPT217G	1	33	Spring	▲	2
1	Pump Piston Rod	▲	1		Pedal Bracket Kit	MH2MPT216G	1
2	Spring Cap	▲	1	34	Retaining Ring	▲	2
3	Spring	▲	1	35	Pressure Roller	▲	1
4	O-Ring	▲	2	36	Bushing	▲	1
5	Washer	▲	1	37	Shaft	▲	1
	Pivot Pin Assembly Kit	MH2MPT218G	1	38	Bracket	▲	1
6	Grease Fitting	▲	1		Pedal Seat Kit	MH2MPT215G	1
7	Bolt	▲	1	6	Grease Fitting	▲	1
8	Nut	▲	1	26	Spring	▲	1
9	Lock Washer	▲	1	28	Adjusting Bolt	▲	1
10	Steel Ball	MH2MPT223G	1	39	Steel Ball	▲	1
	Valve Rod Kit	MH2MPT224G	1	40	Nut	▲	1
11	O-Ring	▲	2	41	Bolt	▲	1
12	Valve Rod	▲	1	42	Retaining Ring	▲	1
	Fix Ring/Spring Kit	MH2MPT222G	1	43	Pedal Bar Seat	▲	1
13	Bolt	▲	4		Pedal Bar Kit	MH2MPT214G	1
14	Fix Ring	▲	1	44	Pedal Bar	▲	1
15	Spring	▲	1	45	Rubber Cover	▲	1
16	Valve Rod Fix Ring	▲	1	46	Lifting Piston Rod	*	1
	Knob Assembly Kit	MH2MPT225G	1	47	Linking Chain	MH4ECW614G	2
17	Bolt	▲	1	48	Chain (4ECW6)	MH4ECW615G	1
18	Knob	▲	1		Chain (4ECW7)	MH4ECW703G	1
	Ring/Seal Kit	MH2MPT213G	1		Chain (4ECW8)	MH4ECW806G	1
19	Dust Ring	▲	1		Chain (4ECW9)	MH4ECW903G	1
20	O-Ring	▲	2		Chain (4ECX1)	MH4ECX103G	1
21	Washer	▲	1		Chain Gear Kit	MH4ECW616G	1
	Fill Plug Kit	MH4ECW613G	1	49	Cover	▲	1
22	Seal Washer	▲	1	50	Bolt	▲	1
23	Bolt	▲	1	51	Cap	▲	1
24	Body of Pump	*	1	52	Shaft	▲	1
	Safety Valve Kit	MH2MPT220G	1	53	Locking Ring	▲	2
25	Valve Spindle	▲	1	54	Chain Gear	▲	1
26	Spring	▲	1	55	Bushing	▲	2
27	Pin	▲	1		Plug Kit #1	MH2MPT219G	1
28	Adjusting Bolt	▲	1	56	Screw	▲	1
29	O-Ring	▲	1	57	Seal Washer	▲	1
30	Bolt	▲	1	58	Sleeve	▲	1
	Vented Drain Plug Kit	MH2MPT221G	1	59	Screw	▲	1
10	Steel Ball	▲	2	60	Valve Seat	▲	1
31	Screw	▲	2	61	O-Ring	▲	1
32	Seal Washer	▲	2				

(▲) Available as part of kit only.

(*) Not available as repair part.

Por favor lea y guarde estas instrucciones. Léalas cuidadosamente antes de tratar de montar, instalar, operar o dar mantenimiento al producto aquí descrito. Protéjase usted mismo y a los demás observando toda la información de seguridad. ¡El no cumplir con las instrucciones puede ocasionar daños, tanto personales como a la propiedad! Guarde estas instrucciones para referencia en el futuro.

Elevadores de Horquilla y Plataforma Hidráulicos Manuales Dayton®

Descripción

Los elevadores de horquilla y plataforma Dayton están diseñados para el levantamiento manual, descenso y transporte de cargas en superficies firmes y niveladas, como talleres, almacenes, bodegas, departamentos de recepción, plantas y donde los pasillos y áreas congestionadas eviten el uso de equipos grandes. Los elevadores traen una plataforma fija u horquillas ajustables y una plataforma removible. Todas las unidades tienen 2 ruedas giratorias de bloqueo y dos ruedas rígidas.

NOTA: Las especificaciones de los diferentes tipos de elevadores se describen en este manual de instrucciones operativas. Durante la operación y mantenimiento, aplique los aspectos relevantes para el elevador de horquilla o el elevador de plataforma Dayton que ha comprado.

Desempeque

Su elevador de horquilla o plataforma Dayton ya viene completamente ensamblado. Antes de usarlo, inspeccione el elevador para verificar que no esté dañado. Consulte la ilustración de partes de repuesto y la lista de las partes de identificación. Si existen daños evidentes, informe inmediatamente a la empresa de transporte y haga los reclamos pertinentes.

ADVERTENCIA Antes de usar por primera vez, retire el tapón de envío temporal (22 y 23) y reemplácelo con el Tapón de drenaje de ventilación (MH2MPT221G) suministrado.

Información de Seguridad General

PRECAUCIÓN Antes de poner este producto en servicio, lea todos los manuales detenidamente. Nunca exceda la capacidad máxima del elevador. Lea completamente las instrucciones para Liberar el aire de la bomba en la sección de Mantenimiento de este manual antes usar su elevador Dayton.

ADVERTENCIA Nunca exceda la capacidad máxima del elevador. La carga debe distribuirse uniformemente y no deben excederse los límites del centro de carga.

- Este producto solamente lo deben usar las personas autorizadas y bien capacitadas.
- Tenga precaución y cuidado con los puntos de colisión y compresión. Nunca ponga las manos, pies, ni objetos debajo de la plataforma ni de las horquillas. Nunca entre en contacto con las partes móviles.



Figura 1

- No use en superficies inclinadas o desniveladas.
- Nunca deje una carga descuidada que se encuentre en posición elevada.
- No se permite transportar ni subir personas.

Operación

Inspeccione el elevador antes de usarlo. Si encuentra problemas, defectos o considera que deben hacerse reparaciones, no use el producto.

Lista de verificación antes de la operación:

- Revise el funcionamiento de todas las partes móviles como rodillos, ruedas, ejes, etc.

Especificaciones

Modelo	Elemento	Cap. de carga*	Altura de lev. máx.	Altura de lev. mín.	Longitud de plataforma/horquilla	Anchura de la plataforma	Longitud total	Anchura total (cm)	Altura total	Centro de carga**
4ECW6	Elev. horquilla	399.2 kg	119.4 cm	8.6 cm	65 cm	57.7 cm	103.4	59.9	142.5	34.3 cm
4ECW7	Elev. horquilla	399.2	149.9	8.6	65	57.7	103.4	59.9	172.5	34.3
4ECW8	Elev. plataforma	399.2	85.1	20.3	65	54.6	101.6	58.9	98.0	34.3
4ECW9	Elev. plataforma	399.2	119.4	20.3	65	54.6	101.6	58.9	133.1	34.3
4ECX1	Elev. plataforma	399.2	149.9	20.3	65	54.6	101.6	58.9	163.1	34.3

(*) La valoración de la capacidad máxima de carga es para cargas distribuidas uniformemente.

(**) Lea y entienda las restricciones del centro de carga.

Elevadores de Horquilla y Plataforma Hidráulicos Manuales Dayton®

Operación (Continuación)

- Su elevador trae ruedas de bloqueo; revise su funcionamiento.
- Revise que la cadena de carga esté ajustada, tensionada y no esté desgastada.

PARA ELEVADORES CON RUEDAS DE BLOQUEO

Ponga los seguros de las ruedas cuando ponga las cargas, cuando esté subiéndolas y cuando no use el elevador.

SUBIR UNA CARGA

Verifique que la carga no exceda la capacidad del elevador ni el tamaño de las horquillas o plataforma. Mueva el elevador lentamente hasta la carga y ponga las horquillas debajo de la paleta/carga hasta que la parte posterior de las horquillas descansan contra la carga o ponga manualmente la carga en la plataforma u horquillas.

Suba la carga presionando el pedal de pie hasta que alcance la altura deseada.

PRECAUCION *Para los modelos de horquillas con mesas móviles, cerciórese que la mesa del elevador esté bien asegurada.*

La carga debe estar distribuida uniformemente a través de ambas horquillas o de la plataforma. No se debe exceder el centro de gravedad de la carga.

TRANSPORTE DE LA CARGA

Siempre que transporte una carga, debe ponerse en la posición inferior (mientras se deja un espacio libre debajo de la carga).

Avance a una velocidad estable, teniendo precaución de la carga y las condiciones del suelo.

PRECAUCION *No opere el elevador en pendientes o superficies desniveladas.*

BAJAR UNA CARGA

Maneje la carga hasta el lugar deseado y ponga los seguros de las ruedas. Verifique que no haya nada debajo de la carga y luego gire la válvula de seguridad en sentido anti-horario para bajar la carga hasta la altura deseada. Gire la válvula lentamente para controlar la velocidad de descenso. Baje completamente cuando no esté en uso.

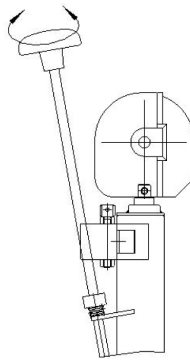


Figura 2

Mantenimiento

ADVERTENCIA *Quite las cargas antes de hacer la inspección y el mantenimiento. Use solamente partes de repuesto originales.*

REVISE EL ACEITE

El nivel de aceite de la bomba hidráulica debe revisarse cada seis meses. Revise el nivel de aceite bajando completamente las horquillas/plataforma y luego quitando el tapón de llenado (MH4ECW613G). La línea de llenado de aceite debe estar debajo del orificio de llenado.

AGREGAR ACEITE

Si las horquillas/plataforma no alcanzan la altura estipulada, debe agregar líquido hidráulico. El líquido hidráulico debe ser ISO VG32 o equivalente con una viscosidad de 30cSt a 104°F (40°C). No se recomienda mezclar varios líquidos. Drene todo el aceite si es necesario. El volumen total de aceite es 2 litros.

DRENAJE DEL ACEITE

Drene el aceite desde el tapón de drenaje (MH2MPT221G). El aceite usado debe desecharse de acuerdo a las regulaciones de las autoridades locales con base en la protección del medio ambiente.

LIBERACION DEL AIRE DE LA BOMBA

El aire puede entrar al aceite hidráulico durante el transporte o si el equipo se inclina, por lo tanto las horquillas no suben inmediatamente mientras están en la posición "elevada". Para liberar el aire de la bomba, gire la válvula de seguridad en sentido anti-horario hasta la posición "inferior" y presione el pedal de pie varias veces.

INSPECCION DIARIA Y MANTENIMIENTO

La inspección diaria del elevador puede reducir considerablemente el desgaste y mantenimiento. Debe ponerse atención especial a las ruedas fijas, ruedas giratorias, rodillos portadores, para asegurarse que no tengan obstrucciones de ninguna clase.

Modelos 4ECW6 a 4ECW9, 4ECX1

Mantenimiento (Continuación)

INTERVALOS DE MANTENIMIENTO RECOMENDADOS

DIARIAMENTE:

- Revise que las partes móviles y los controles operativos funcionen apropiadamente
- Revise que las ruedas y los rodillos portadores no estén desgastados
- Revise que la cadena de carga esté ajustada, tensionada y no esté desgastada
- Aplique grasa a la cadena si es necesario

1 MES:

- Aplique grasa a las uniones y cojinetes
- Revise el funcionamiento y la capacidad de giro de las ruedas y rodillos
- Revise que el sistema hidráulico no tenga fugas y tenga movimiento completo

3 MESES:

- Revise el nivel de aceite hidráulico con las horquillas/plataforma en la posición inferior y el elevador en posición horizontal
- Revise el ajuste de la válvula de seguridad
- Revise que todos los tornillos, pernos y conexiones estén bien ajustados

1 AÑO:

- Revise las partes y reemplace las que estén desgastadas o dañadas
- Drene y cambie el líquido hidráulico
- Revise que las etiquetas y las advertencias de seguridad sean legibles; reemplace si es necesario

La vida útil de su elevador es limitada. Las partes desgastadas deben reemplazarse oportunamente.

⚠ ADVERTENCIA *No intente reparar los elevadores, a menos que esté capacitado y autorizado para hacerlo. Se pueden presentar lesiones graves.*

⚠ ADVERTENCIA *Estos productos no se pueden alterar sin el permiso escrito del fabricante.*

Elevadores de Horquilla y Plataforma Hidráulicos Manuales Dayton®

Tabla de Identificación de Problemas

Síntoma	Causa(s) Posible(s)	Medida Correctiva
Las horquillas/plataforma no suben, no suben completamente o suben lentamente	<ol style="list-style-type: none"> 1. El nivel de líquido hidráulico es bajo 2. Aire en el sistema hidráulico 3. La manija de la válvula de seguridad (No. 18, Fig. 5) está atascada en la posición incorrecta 4. La carga es demasiado pesada. La válvula de seguridad de sobrecarga se ha activado 5. La temperatura es muy baja y el aceite hidráulico se ha vuelto muy grueso 	<ol style="list-style-type: none"> 1. Agregue líquido hidráulico aprobado como se describió en la página 2 (sección de Mantenimiento) 2. Siga el procedimiento para la liberación del aire de la bomba en la página 2 (sección de Mantenimiento) 3. Suelte y gire la manija de la válvula de seguridad (No. 18, Fig. 5) hasta la posición correcta 4. Reduzca la carga 5. Mueva el camión a un lugar más caliente
Las horquillas/plataforma no bajan o no lo hacen completamente	<ol style="list-style-type: none"> 1. Hay algún obstáculo debajo de las horquillas/plataforma, en el mecanismo de las horquillas, etc. 2. La varilla del pistón (No. 46, Fig. 5) o la bomba (No. 24, Fig. 5) se han deformado por exceso de carga o carga desapareja 3. Las horquillas/plataforma se mantuvieron en la posición elevada durante mucho tiempo lo cual hizo que la varilla del pistón se oxidara o se atascara 4. El juego de tornillos de la manija de la válvula de seguridad (No. 17, Fig. 5) se ha soltado 	<ol style="list-style-type: none"> 1. Retire el obstáculo con precaución 2. Reemplace la varilla del pistón (No. 46, Fig. 5) o la bomba (No. 24, Fig. 5) 3. Lubrique el pistón. Reemplace, si es necesario. Mantenga las horquillas/plataforma en la posición baja cuando no las use 4. Apriete los tornillos (No. 17, Fig. 5)
Las horquillas/plataforma bajan sin poner la palanca de control en la posición "inferior"	<ol style="list-style-type: none"> 1. Las impurezas de aceite evitan que la válvula de seguridad cierre completamente 2. Algunos componentes hidráulicos o sellos están rotos o desgastados 3. Aire en el sistema hidráulico 4. La manija de la válvula de seguridad (No. 18, Fig. 5) está atascada en la posición incorrecta 	<ol style="list-style-type: none"> 1. Drene y cambie el líquido hidráulico con líquido aprobado como se describió en la página 2 (sección de Mantenimiento) 2. Inspeccione y reemplace los componentes según sea necesario 3. Siga el procedimiento para la liberación del aire de la bomba en la página 2 (sección de Mantenimiento) 4. Suelte y gire la manija de la válvula de seguridad (No. 18, Fig. 5) hasta la posición correcta

Modelos 4ECW6 a 4ECW9, 4ECX1

GARANTIA LIMITADA

GARANTIA LIMITADA DE DAYTON POR UN AÑO. DAYTON ELECTRIC MFG. CO. (DAYTON) LE GARANTIZA AL USUARIO ORIGINAL QUE LOS MODELOS TRATADOS EN ESTE MANUAL DE LOS ELEVADORES DE HORQUILLA Y PLATAFORMA HIDRAULICOS MANUALES DAYTON® ESTAN LIBRES DE DEFECTOS EN LA MANO DE OBRA O EL MATERIAL, CUANDO SE LES SOMETE A USO NORMAL, POR UN AÑO A PARTIR DE LA FECHA DE COMPRA. CUALQUIER PARTE QUE SE HALLE DEFECTUOSA, YA SEA EN EL MATERIAL O EN LA MANO DE OBRA, Y SEA DEVUELTA (CON LOS COSTOS DE ENVIO PAGADOS POR ADELANTADO) A UN CENTRO DE SERVICIO AUTORIZADO DESIGNADO POR DAYTON, SERA REPARADA O REEMPLAZADA (NO EXISTE OTRA POSIBILIDAD) SEGUN LO DETERMINE DAYTON. PARA OBTENER INFORMACION SOBRE LOS PROCEDIMIENTOS DE RECLAMO CUBIERTOS EN LA GARANTIA LIMITADA, VEA LA SECCION "ATENCION OPORTUNA" QUE APARECE MAS ADELANTE. ESTA GARANTIA LIMITADA CONFIERE AL COMPRADOR DERECHOS LEGALES ESPECIFICOS QUE VARIAN DE JURISDICCION A JURISDICCION.

LIMITES DE RESPONSABILIDAD. EN LA MEDIDA EN QUE LAS LEYES APLICABLES LO PERMITAN, LA RESPONSABILIDAD DE DAYTON POR LOS DAÑOS EMERGENTES O INCIDENTALES ESTA EXPRESAMENTE EXCLUIDA. LA RESPONSABILIDAD DE DAYTON EXPRESAMENTE ESTA LIMITADA Y NO PUEDE EXCEDER EL PRECIO DE COMPRA PAGADO POR EL ARTICULO.

EXCLUSION DE RESPONSABILIDAD DE LA GARANTIA. SE HAN HECHO ESFUERZOS DILIGENTES PARA PROPORCIONAR INFORMACION E ILUSTRACIONES APROPIADAS SOBRE EL PRODUCTO EN ESTE MANUAL; SIN EMBARGO, ESTA INFORMACION Y LAS ILUSTRACIONES TIENEN COMO UNICO PROPOSITO LA IDENTIFICACION DEL PRODUCTO Y NO EXPRESAN NI IMPLICAN GARANTIA DE QUE LOS PRODUCTOS SEAN VENDIBLES O ADECUADOS PARA UN PROPOSITO EN PARTICULAR NI QUE SE AJUSTAN NECESARIAMENTE A LAS ILUSTRACIONES O DESCRIPCIONES. CON EXCEPCION DE LO QUE SE ESTABLECE A CONTINUACION, DAYTON NO HACE NI AUTORIZA NINGUNA GARANTIA O AFIRMACION DE HECHO, EXPRESA O IMPLICITA, QUE NO SEA ESTIPULADA EN LA "GARANTIA LIMITADA" ANTERIOR.

Consejo Técnico y Recomendaciones, Exclusiones de Responsabilidad. A pesar de las prácticas, negociaciones o usos comerciales realizados previamente, las ventas no deberán incluir el suministro de consejo técnico o asistencia o diseño del sistema. Dayton no asume ninguna obligación o responsabilidad por recomendaciones, opiniones o consejos no autorizados sobre la elección, instalación o uso de los productos.

Adaptación del Producto. Muchas jurisdicciones tienen códigos o regulaciones que rigen la venta, la construcción, la instalación y/o el uso de productos para ciertos propósitos que pueden variar con respecto a los aplicables a las zonas vecinas. Si bien se trata de que los productos Dayton cumplan con dichos códigos, no se puede garantizar su conformidad y no se puede hacer responsable por la forma en que se instale o use su producto. Antes de comprar y usar el producto, revise su aplicación y todos los códigos y regulaciones nacionales y locales aplicables y asegúrese de que el producto, la instalación y el uso los cumplan.

Ciertos aspectos de limitación de responsabilidad no se aplican a productos al consumidor; es decir (a) algunas jurisdicciones no permiten la exclusión ni limitación de daños incidentales o consecuentes, de modo que las limitaciones o exclusiones anteriores quizás no apliquen en su caso; (b) asimismo, algunas jurisdicciones no permiten limitar el plazo de una garantía implícita, por lo tanto, la limitación anterior quizás no aplique en su caso; y (c) por ley, mientras la Garantía Limitada esté vigente no podrán excluirse ni limitarse en modo alguno ninguna garantía implícita de comercialización o de idoneidad para un propósito en particular aplicables a los productos al consumidor adquiridos por éste.

Atención Oportuna. Se hará un esfuerzo de buena fe para corregir puntualmente, o hacer otros ajustes, con respecto a cualquier producto que resulte defectuoso dentro de los términos de esta garantía limitada. En el caso de que encuentre un producto defectuoso y que esté cubierto dentro de los límites de esta garantía haga el favor de escribir primero, o llame, al distribuidor a quien le compró el producto. El distribuidor le dará las instrucciones adicionales. Si no puede resolver el problema en forma satisfactoria, escriba a Dayton a la dirección a continuación, dando el nombre del distribuidor, su dirección, la fecha y el número de la factura del distribuidor y describa la naturaleza del defecto. La propiedad del artículo y el riesgo de pérdida pasan al comprador en el momento de la entrega del artículo a la compañía de transporte. Si el producto se daña durante el transporte, debe presentar su reclamo a la compañía transportista.

Fabricado para Dayton Electric Mfg. Co., 5959 W. Howard St., Niles, Illinois 60714-4014 EE.UU.

**Para Obtener Partes de Reparación en México Llame al 001-800-527-2331
en EE.UU. Llame al 1-800-323-0620**

Servicio permanente – 24 horas al día al año

Por favor proporciónenos la siguiente información:

- Número de modelo
- Número de serie (si lo tiene)
- Descripción de la parte y número que le corresponde en la lista de partes

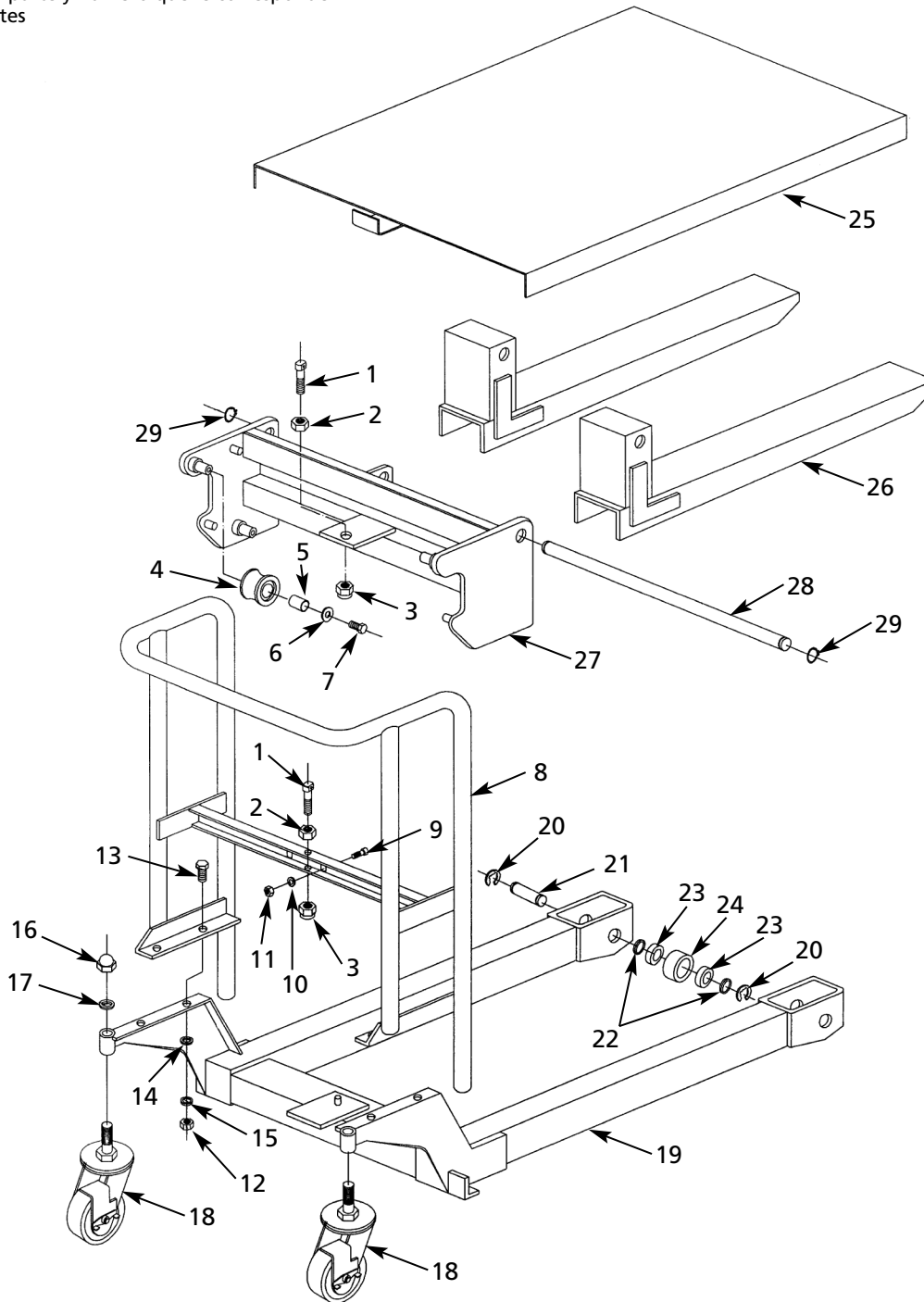


Figura 3 – Ilustración de las Partes de Reparación para el Elevador de Plataforma y Horquillas Ajustables

Modelos 4ECW6 y 4ECW7

Lista de Partes de Reparación para el Elevador de Plataforma y Horquillas Ajustables

No. de Ref.	Descripción	No. de Parte	Cant.	No. de Ref.	Descripción	No. de Parte	Cant.
	Kit de pernos para cadena	MH4ECW601G	2		Kit de ruedas giratorias	MH4ECW606G	2
1	Perno	▲	1	16	Tuerca	▲	1
2	Tuerca	▲	1	17	Arandela de retención	▲	1
3	Tuerca	▲	1	18	Rueda giratoria	▲	1
	Kit de rodillos	MH4ECW602G	4	19	Base del mástil	*	1
4	Rodillo	▲	1		Kit de rodillos de carga	MH4ECW607G	2
5	Buje	▲	1	20	Anillo de seguridad	▲	2
6	Arandela	▲	1	21	Eje para el rodillo	▲	1
7	Perno	▲	1	22	Arandela	▲	2
6)	Manija (4ECW6)	*	1	23	Cojinete	▲	2
	Manija (4ECW7)	*	1	24	Rodillo	▲	1
9	Perno	**	2	25	Plataforma	MH4ECW609G	1
10	Arandela	**	2	26	Horquilla	MH4ECW610G	2
11	Tuerca	**	2	27	Carro de la horquilla	*	1
12	Tuerca	**	4		Kit de ejes	MH4ECW612G	1
13	Perno	**	4	28	Eje	▲	1
14	Arandela	**	4	29	Anillo de seguridad	▲	2
15	Arandela de retención	**	4	Δ	Kit de etiquetas de reemplazo	MH4ECW611G	1

(▲) Disponible sólo como parte del juego.

(*) No se encuentra disponible como parte de reparación.

(**) Herrajes comunes que no se ofrecen como parte de repuesto.

(Δ) No se muestra.

**Para Obtener Partes de Reparación en México Llame al 001-800-527-2331
en EE.UU. Llame al 1-800-323-0620**

Servicio permanente – 24 horas al día al año

Por favor proporciónenos la siguiente información:

- Número de modelo
- Número de serie (si lo tiene)
- Descripción de la parte y número que le corresponde en la lista de partes

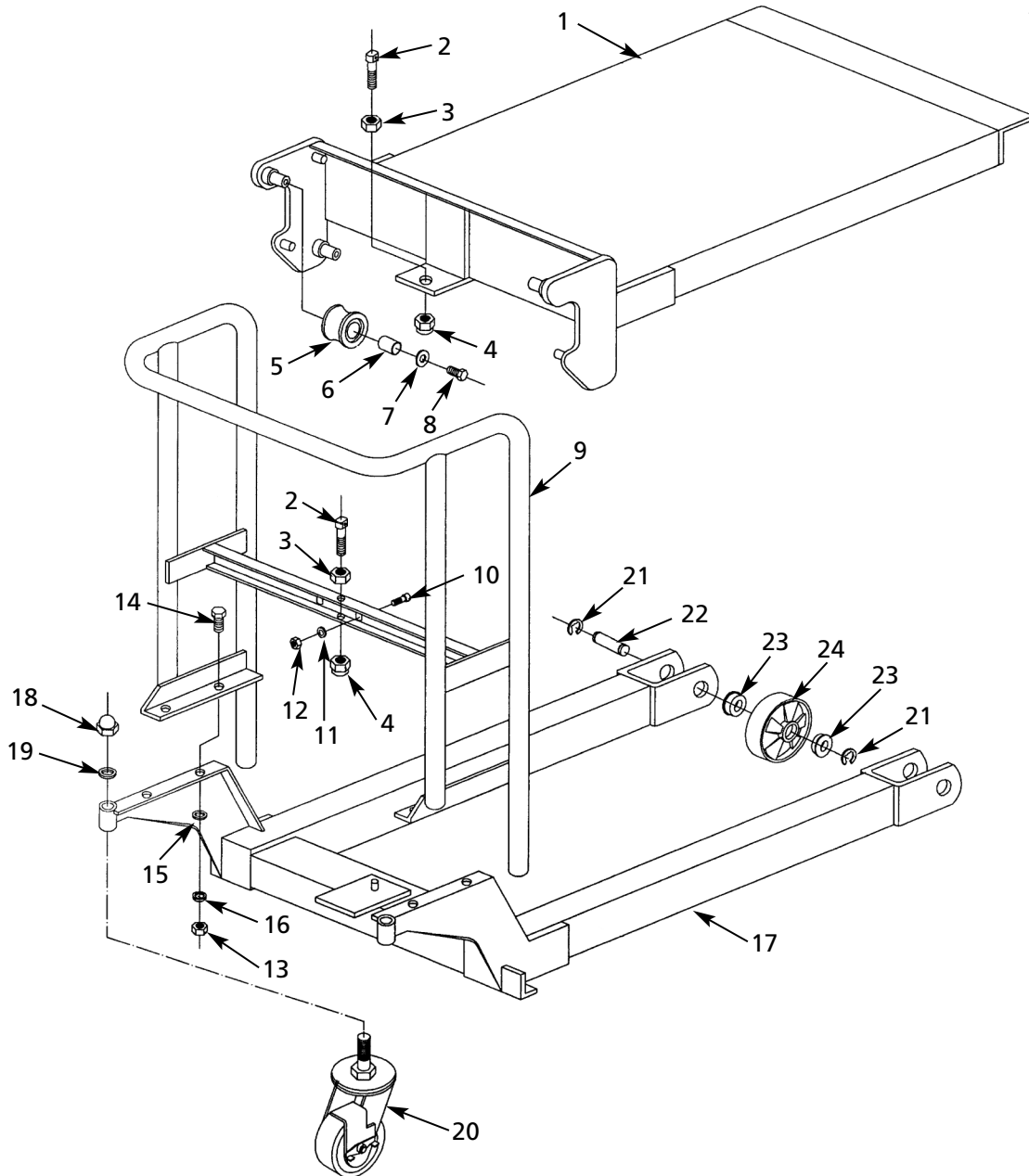


Figura 4 – Ilustración de las Partes de Reparación para el Elevador de Plataforma

Modelos 4ECW8, 4ECW9 y 4ECX1

Lista de Partes de Reparación para el Elevador de Plataforma

No. de Ref.	Descripción	No. de Parte	Cant.	No. de Ref.	Descripción	No. de Parte	Cant.
1	Plataforma	MH4ECW801G	1	12	Tuerca	**	2
	Kit de pernos para cadena	MH4ECW601G	2	13	Tuerca	**	4
2	Perno	▲	1	14	Perno	**	4
3	Tuerca	▲	1	15	Arandela	**	4
4	Tuerca	▲	1	16	Arandela de retención	**	4
	Kit de rodillos	MH4ECW602G	4	17	Base del mástil	*	1
5	Rodillo	▲	1		Kit de ruedas giratorias	MH4ECW803G	2
6	Buje	▲	1	18	Tuerca	▲	1
7	Arandela	▲	1	19	Arandela de retención	▲	1
8	Perno	▲	1	20	Rueda giratoria	▲	1
9	Manija (4ECW8)	*	1		Kit de rodillos de carga	MH4ECW804G	2
	Manija (4ECW9)	*	1	21	Anillo de seguridad	▲	2
	Manija (4ECX1)	*	1	22	Eje	▲	1
10	Perno	**	2	23	Cojinete	▲	2
11	Arandela	**	2	24	Rodillo de carga	▲	1

(▲) Disponible sólo como parte del juego.

(*) No se encuentra disponible como parte de reparación.

(**) Herrajes comunes que no se ofrecen como parte de repuesto.

**Para Obtener Partes de Reparación en México Llame al 001-800-527-2331
en EE.UU. Llame al 1-800-323-0620**

Servicio permanente – 24 horas al día al año

Por favor proporciónenos la siguiente información:

- Número de modelo
- Número de serie (si lo tiene)
- Descripción de la parte y número que le corresponde en la lista de partes

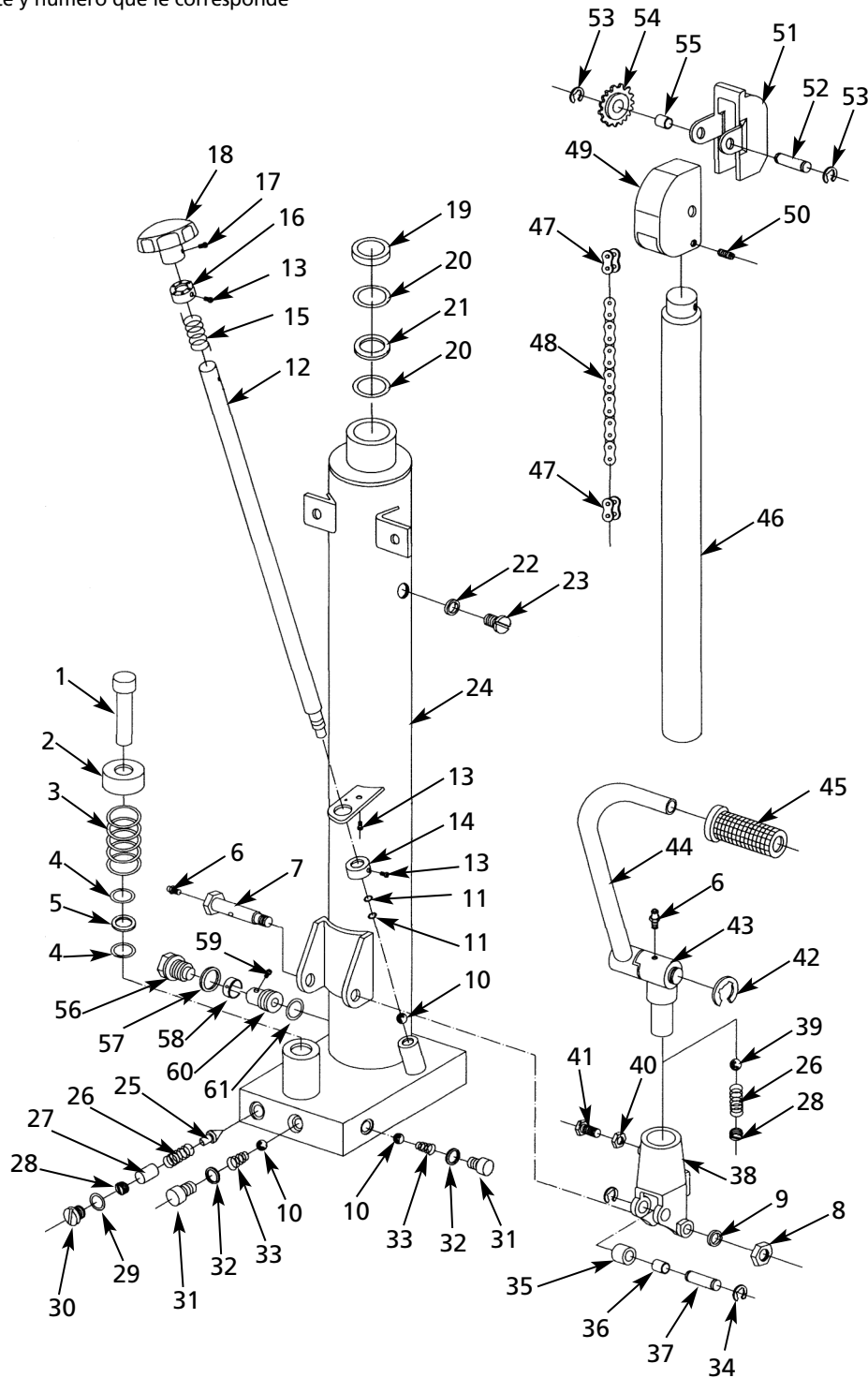


Figura 5 – Ilustración de las Partes de Reparación para la Bomba de la Plataforma

Modelos 4ECW6 a 4ECW9, 4ECX1

Lista de Partes de Reparación para la Bomba de la Plataforma

No. de Ref.	Descripción	No. de Parte	Cant.	No. de Ref.	Descripción	No. de Parte	Cant.
	Kit del pistón de la bomba	MH2MPT217G	1	32	Arandela de sellado	▲	2
1	Varilla del pistón de la bomba	▲	1	33	Resorte	▲	2
2	Anillo de muelle	▲	1		Kit de soporte de pedal	MH2MPT216G	1
3	Resorte	▲	1	34	Anillo de retención	▲	2
4	Anillo O	▲	2	35	Rodillo de presión	▲	1
5	Arandela	▲	1	36	Buje	▲	1
	Kit de ensamble de pivote	MH2MPT218G	1	37	Eje	▲	1
6	Accesorios para grasa	▲	1	38	Soporte	▲	1
7	Perno	▲	1		Kit de asiento de pedal	MH2MPT215G	1
8	Tuerca	▲	1	6	Accesorios para grasa	▲	1
9	Arandela de retención	▲	1	26	Resorte	▲	1
10	Esfera de acero	MH2MPT223G	1	28	Perno de ajuste	▲	1
	Kit de la varilla de la válvula	MH2MPT224G	1	39	Esfera de acero	▲	1
11	Anillo O	▲	2	40	Tuerca	▲	1
12	Varilla de la válvula	▲	1	41	Perno	▲	1
	Kit anillo fijo/muelle	MH2MPT222G	1	42	Anillo de retención	▲	1
13	Perno	▲	4	43	Asiento de la barra del pedal	▲	1
14	Anillo fijo	▲	1		Kit de la barra del pedal	MH2MPT214G	1
15	Resorte	▲	1	44	Barra del pedal	▲	1
16	Anillo fijo de la varilla de la válvula	▲	1	45	Cubierta de caucho	▲	1
	Kit del ensamble de la perilla	MH2MPT225G	1	46	Varilla del pistón de elevación	*	1
17	Perno	▲	1	47	Cadena de enlace	MH4ECW614G	2
18	Perilla	▲	1	48	Cadena (4ECW6)	MH4ECW615G	1
	Kit de anillo/sello	MH2MPT213G	1		Cadena (4ECW7)	MH4ECW703G	1
19	Anillo contra el polvo	▲	1		Cadena (4ECW8)	MH4ECW806G	1
20	Anillo O	▲	2		Cadena (4ECW9)	MH4ECW903G	1
21	Arandela	▲	1		Cadena (4ECX1)	MH4ECX103G	1
	Kit del tapón de llenado	MH4ECW613G	1		Kit del engranaje de cadena	MH4ECW616G	1
22	Arandela de sellado	▲	1	49	Tapa	▲	1
23	Perno	▲	1	50	Perno	▲	1
24	Estructura de la bomba	*	1	51	Tapa	▲	1
	Kit de la válvula de seguridad	MH2MPT220G	1	52	Eje	▲	1
25	Vástago de la válvula	▲	1	53	Anillo de seguridad	▲	2
26	Resorte	▲	1	54	Engranaje de cadena	▲	1
27	Pin	▲	1	55	Buje	▲	2
28	Perno de ajuste	▲	1		Kit de tapón #1	MH2MPT219G	1
29	Anillo O	▲	1	56	Tornillo	▲	1
30	Perno	▲	1	57	Arandela de sellado	▲	1
	Kit de tapón de drenaje de ventilación	MH2MPT221G	1	58	Cojinete	▲	1
10	Esfera de acero	▲	2	59	Tornillo	▲	1
31	Tornillo	▲	2	60	Base de la válvula	▲	1
				61	Anillo O	▲	1

(▲) Disponible sólo como parte del juego.

(*) No se encuentra disponible como parte de reparación.

Veillez lire et conserver ces instructions. Lire attentivement avant de commencer à assembler, installer, faire fonctionner ou entretenir l'appareil décrit. Protégez-vous et les autres en observant toutes les informations sur la sécurité. Négliger d'appliquer ces instructions peut résulter en des blessures corporelles et/ou en des dommages matériels ! Conserver ces instructions pour références ultérieures.

Élévateurs hydrauliques manuels à fourche et à plate-forme Dayton®

Description

Les élévateurs à fourche et à plate-forme sont conçus pour le levage, abaissement et transport manuel, à l'échelon de l'établissement, de charges sur des surfaces fermes et de niveau, comme dans des ateliers, des entrepôts, des magasins, des services de réception et partout où des allées ou aires de stockage congestionnées ne permettent pas l'utilisation d'équipements plus gros. Les élévateurs sont disponibles avec une plate-forme fixe ou avec une fourche réglable et une plate-forme amovible. Tous les appareils sont dotés de 2 roulettes pivotantes à blocage et de 2 roues rigides.

REMARQUE : Les caractéristiques techniques de plusieurs types d'élévateurs peuvent être décrites dans ces instructions d'utilisation. Pendant l'utilisation et l'entretien, utiliser les aspects pertinents de l'élévateur à fourche ou à plate-forme Dayton que vous avez acheté.

Déballage

Votre élévateur à fourche ou à plate-forme Dayton est livré entièrement assemblé. Avant de l'utiliser, inspecter l'élévateur pour vérifier qu'il n'a pas subi de dommages pendant le transport. Consulter l'illustration sur les pièces de rechange et dans la liste pour identifier les pièces. Si les dommages sont évidents, avvertir immédiatement le transporteur et déposer les réclamations nécessaires.

AVERTISSEMENT Avant la première utilisation, enlever le bouchon d'expédition temporaire (22 et 23) et le remplacer par le bouchon de vidange avec évent (MH2MPT221G) fourni.

Consignes générales de sécurité

ATTENTION Lire attentivement tous les manuels

inclus avec ce produit avant de le mettre en service. Ne jamais dépasser la capacité maximale de cet élévateur. Lire complètement et suivre les instructions de la rubrique « Purge d'air à partir de la pompe » dans la section Entretien de ce manuel avant de mettre en service l'élévateur Dayton.

AVERTISSEMENT Ne jamais dépasser la capacité

maximale de cet élévateur. La charge doit être distribuée uniformément et les limites relatives à son centre de gravité ne doivent pas être dépassées.

- Seuls les opérateurs autorisés et formés peuvent utiliser ce produit.
- Faire preuve de prudence et connaître les points de pincement et d'écrasement. Ne jamais placer les mains, les pieds ou des objets sous la fourche ou sous la plate-forme. Ne jamais s'approcher des pièces mobiles.



Figure 1

- Ne pas utiliser sur des surfaces inclinées ou inégales.
- Ne jamais laisser sans surveillance une charge en position élevée.
- Il est interdit de transporter ou de soulever des personnes.

Fonctionnement

Inspecter l'élévateur avant chaque utilisation. Mettre immédiatement hors service si un quelconque problème ou une défectuosité, ou encore un besoin de réparation est détecté(e).

Liste de contrôle avant utilisation :

- Vérifier le fonctionnement de toutes les pièces mobiles, y compris les roulettes, les roues, les essieux, etc.

Spécifications

Modèle	Article	Cap. de charge*	Hauteur de lev. maxi.	Hauteur de lev. mini.	Longueur de plate-forme/ fourche	Largeur de plate-forme	Longueur hors tout	Largeur hors tout (cm)	Hauteur hors tout	Centre de la charge**
4ECW6	Élev. à fourche	399,2 kg	119,4 cm	8,6 cm	65 cm	57,7 cm	103,4	59,9	142,5	34,3 cm
4ECW7	Élev. à fourche	399,2	149,9	8,6	65	57,7	103,4	59,9	172,5	34,3
4ECW8	Plate-forme élev.	399,2	85,1	20,3	65	54,6	101,6	58,9	98,0	34,3
4ECW9	Plate-forme élev.	399,2	119,4	20,3	65	54,6	101,6	58,9	133,1	34,3
4ECX1	Plate-forme élev.	399,2	149,9	20,3	65	54,6	101,6	58,9	163,1	34,3

(*) Caractéristique de capacité de charge maximale lorsque cette charge est distribuée uniformément.

(**) Lire et comprendre les restrictions sur le centre de la charge.

Élévateurs hydrauliques manuels à fourche et à plate-forme Dayton®

Fonctionnement (suite)

- L'élévateur est doté de roulettes à blocage dont il faut vérifier le fonctionnement.
- Vérifier le réglage, la tension et l'usure de la chaîne de levage.

ÉLÉVATEURS ÉQUIPÉS DE ROULETTES À BLOCAGE

Engager le dispositif de blocage des roulettes pendant le placement et le soulèvement des charges, et lorsque l'élévateur n'est pas utilisé.

LEVAGE D'UNE CHARGE

S'assurer que la charge ne dépasse pas la capacité de l'élévateur et les dimensions de la fourche ou de la plate-forme. Faire rouler lentement l'élévateur sous la charge, et positionner la fourche sous la palette ou sous la charge, jusqu'à ce que l'arrière la fourche repose contre la charge, ou placer manuellement la charge sur la plate-forme ou sur la fourche.

Soulever la charge en pompant plusieurs fois la pédale pour atteindre la hauteur désirée.

⚠ ATTENTION Dans le cas d'un élévateur à table amovible, veiller à ce que la table de levage soit fixée correctement.

La charge doit être distribuée uniformément sur les deux bras de la fourche ou sur toute la plate-forme. Les limites pour le centre de gravité de la charge ne doivent pas être dépassées.

DÉPLACEMENT D'UNE CHARGE

La charge doit être dans la position la plus basse possible (tout en maintenant un dégagement sous la charge) lorsqu'elle est déplacée.

Déplacer la charge à une vitesse constante en restant attentif à la charge et à l'état du plancher.

⚠ ATTENTION Ne pas utiliser l'élévateur sur des surfaces inclinées ou inégales.

ABAISSEMENT D'UNE CHARGE

Manœuvrer la charge vers l'endroit prévu et engager le dispositif de blocage des roulettes. S'assurer que rien ne se trouve sous la charge, puis tourner la soupape de sûreté dans le sens antihoraire pour abaisser la charge à la hauteur désirée. Tourner lentement la soupape afin de contrôler la vitesse de descente. Abaisser complètement lorsque l'équipement n'est pas utilisé.

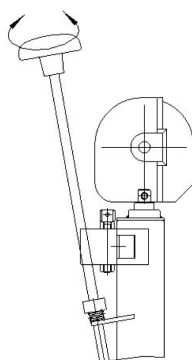


Figure 2

Entretien

⚠ AVERTISSEMENT Enlever les charges avant d'effectuer une inspection ou de l'entretien. N'utiliser que des pièces de rechange authentiques.

VÉRIFICATION DE L'HUILE

Le niveau d'huile de la pompe hydraulique doit être vérifié tous les six mois. Vérifier le niveau d'huile en abaissant complètement la fourche ou la plate-forme, puis en enlevant le bouchon de remplissage (MH4ECW613G). Le niveau de remplissage de l'huile doit se trouver juste au-dessous de l'orifice de remplissage.

AJOUT D'HUILE

Si la fourche ou la plate-forme ne se lèvent pas à la hauteur nominale, il faudra peut-être ajouter de l'huile hydraulique. Utiliser de l'huile hydraulique ISO VG32 ou son équivalent, avec une viscosité de 32 cSt à 40 °C (104 °F). Il est interdit de mélanger des huiles différentes! Au besoin, vidanger complètement l'huile. Le volume total d'huile est d'environ 2 litres.

VIDANGE DE L'HUILE

Vidanger l'huile en retirant le bouchon de vidange (MH2MPT221G). L'huile usée doit être mise au rebut en conformité avec les normes environnementales et avec les directives des autorités réglementaires.

ÉVACUATION DE L'AIR DE LA POMPE

De l'air pourrait entrer dans l'huile hydraulique pendant le transport ou encore si l'appareil est incliné, de sorte que la fourche pourrait ne pas se lever immédiatement lors d'un pompage en position de levage « Raise ». Pour évacuer l'air de la pompe, tourner la soupape de sûreté dans le sens antihoraire à la position d'abaissement « Lower » et pomper plusieurs fois en utilisant la pédale.

INSPECTION ET ENTRETIEN QUOTIDIENS

Une inspection quotidienne de l'élévateur peut réduire significativement son usure et son besoin d'entretien. Une attention particulière doit être portée aux roues, aux roulettes et aux rouleaux du tablier pour y détecter des obstructions éventuelles.

Modèles 4ECW6 à 4ECW9, 4ECX1

Entretien (suite)

INTERVALLES D'ENTRETIEN RECOMMANDÉS

QUOTIDIEN :

- Vérifier que les pièces mobiles et les commandes d'utilisation fonctionnent correctement
- Vérifier l'absence d'usure excessive ou de détérioration au niveau des roues et des rouleaux de tablier
- Vérifier le réglage, la tension et l'usure de la chaîne de levage
- Graisser la chaîne si nécessaire

MENSUEL :

- Graisser les joints et les roulements
- Vérifier les fonctions et la capacité de rotation des roues et des rouleaux
- Vérifier le circuit hydraulique pour y détecter des fuites éventuelles et vérifier toute la plage des mouvements

TRIMESTRIEL :

- Vérifier le niveau de l'huile hydraulique alors que la plate-forme ou la fourche est abaissée et que l'élévateur est en position horizontale
- Vérifier le réglage de la soupape de sûreté
- Vérifier tous les raccords de vis et de boulons et s'assurer qu'ils sont bien serrés

ANNUEL :

- Vérifier toutes les pièces pour y détecter une usure éventuelle et remplacer les pièces défectueuses si nécessaire
- Purger et remplacer l'huile hydraulique
- Vérifier que toutes les étiquettes et les avis de sécurité sont bien visibles; les remplacer si nécessaire

La vie utile de l'élévateur est limitée. Les pièces usées doivent être remplacées rapidement.

⚠ AVERTISSEMENT *Ne pas tenter de réparer des élévateurs à moins d'avoir été formé et autorisé à le faire. Des blessures graves peuvent survenir.*

⚠ AVERTISSEMENT *Ces produits ne peuvent être modifiés en aucune manière sans l'autorisation écrite du fabricant.*

Élévateurs hydrauliques manuels à fourche et à plate-forme Dayton®

Tableau de dépannage

Symptôme	Cause(s) possible(s)	Action corrective
La fourche ou la plate-forme ne se soulève pas, ne se soulève pas complètement, ou encore se soulève lentement	<ol style="list-style-type: none"> 1. Niveau insuffisant d'huile hydraulique 2. Présence d'air dans le circuit hydraulique 3. La poignée de la soupape de sûreté (n° 18, Fig. 5) est coincée dans la mauvaise position 4. La charge est trop lourde. La valve de vidange de surcharge est activée 5. La température est trop basse et l'huile hydraulique est trop épaisse 	<ol style="list-style-type: none"> 1. Ajouter de l'huile hydraulique approuvée, comme indiqué à la page 2 (section sur l'Entretien) 2. Suivre la procédure de purge d'air à partir de la pompe, à la page 2 (section sur l'Entretien) 3. Décoincer et tourner la poignée de la soupape de sûreté (n° 18, Fig. 5) à la bonne position 4. Réduire la charge 5. Déplacer le chariot dans un endroit plus chaud
La fourche ou la plate-forme ne s'abaisse pas ou ne s'abaisse pas complètement	<ol style="list-style-type: none"> 1. Un obstacle crée une obstruction sous la fourche ou la plate-forme, dans le mécanisme de la fourche, etc. 2. La tige de piston (n° 46, Fig. 5) ou la pompe (n° 24, Fig. 5) a été déformée sous l'effet d'une charge excessive ou mal distribuée 3. La fourche ou la plate-forme a été maintenue en position élevée pendant une longue période de temps, ce qui a entraîné la rouille ou le coincement de la tige de piston 4. La vis de pression de la poignée de la soupape de sûreté (n° 17, Fig. 5) s'est desserrée 	<ol style="list-style-type: none"> 1. Enlever l'obstruction avec prudence 2. Remplacer la tige de piston (n° 46, Fig. 5) ou la pompe (n° 24, Fig. 5) 3. Lubrifier le piston. Le remplacer au besoin. Garder la fourche ou la plate-forme à la position abaissée lorsque non utilisée 4. Resserrer la vis (n° 17, Fig. 5)
La fourche ou la plate-forme s'abaisse sans que le levier de commande soit à la position d'abaissement, « lower »	<ol style="list-style-type: none"> 1. Des impuretés dans l'huile empêchent la fermeture complète de la soupape de sûreté 2. Certains composants hydrauliques ou joints sont fissurés ou usés 3. Présence d'air dans le circuit hydraulique 4. La poignée de la soupape de sûreté (n° 18, Fig. 5) est coincée dans la mauvaise position 	<ol style="list-style-type: none"> 1. Ajouter de l'huile hydraulique approuvée, comme indiqué à la page 2 (section sur l'Entretien) 2. Inspecter et remplacer les composants si nécessaire 3. Suivre la procédure de purge d'air à partir de la pompe, à la page 2 (section sur l'Entretien) 4. Décoincer et tourner la poignée de la soupape de sûreté (n° 18, Fig. 5) à la bonne position

Modèles 4ECW6 à 4ECW9, 4ECX1

GARANTIE LIMITÉE

GARANTIE LIMITÉE DE UN AN DE DAYTON. LES MODÈLES D'ÉLÉVATEURS HYDRAULIQUES MANUELS À FOURCHE OU À PLATE-FORME DAYTON® COUVERTS DANS CE MANUEL SONT GARANTIS À L'UTILISATEUR D'ORIGINE PAR DAYTON ELECTRIC MFG. CO. (DAYTON), CONTRE TOUT DÉFAUT DE FABRICATION OU DE MATÉRIAUX, LORS D'UNE UTILISATION NORMALE, ET CELA PENDANT UN AN APRÈS LA DATE D'ACHAT. TOUTE PIÈCE, DONT LES MATÉRIAUX OU LA MAIN D'OUVRE SERONT JUGÉS DÉFECTUEUX, ET QUI SERA RENVOYÉE PORT PAYÉ, À UN CENTRE DE RÉPARATION AUTORISÉ PAR DAYTON, SERA, À TITRE DE SOLUTION EXCLUSIVE, SOIT RÉPARÉE, SOIT REMPLACÉE PAR DAYTON. POUR LE PROCÉDÉ DE RÉCLAMATION SOUS GARANTIE LIMITÉE, REPORTEZ-VOUS À LA CLAUSE DE « DISPOSITION PROMPTE » CI-DESSOUS. CETTE GARANTIE LIMITÉE DONNE AUX ACHETEURS DES DROITS LÉGAUX SPÉCIFIQUES QUI VARIENT DE JURIDICTION À JURIDICTION.

LIMITES DE RESPONSABILITÉ. LA RESPONSABILITÉ DE DAYTON, DANS LES LIMITES PERMISES PAR LA LOI, POUR LES DOMMAGES INDIRECTS OU FORTUITS EST EXPRESSEMENT DÉNIÉE. DANS TOUS LES CAS LA RESPONSABILITÉ DE DAYTON EST LIMITÉE ET NE DÉPASSERA PAS LA VALEUR DU PRIX D'ACHAT PAYÉ.

DÉSISTEMENT DE GARANTIE. DE DILIGENTS EFFORTS SONT FAITS POUR FOURNIR AVEC PRÉCISION LES INFORMATIONS ET ILLUSTRATIONS DES PRODUITS DÉCRITS DANS CETTE BROCHURE; CEPENDANT, DE TELLES INFORMATIONS ET ILLUSTRATIONS SONT POUR LA SEULE RAISON D'IDENTIFICATION, ET N'EXPRIMENT NI N'IMPLIQUENT QUE LES PRODUITS SONT COMMERCIALISABLES, OU ADAPTABLES À UN BESOIN PARTICULIER, NI QUE CES PRODUITS SONT NÉCESSAIREMENT CONFORMES AUX ILLUSTRATIONS OU DESCRIPTIONS. SAUF POUR CE QUI SUIT, AUCUNE GARANTIE OU AFFIRMATION DE FAIT, ÉNONCÉE OU IMPLICITE, AUTRE QUE CE QUI EST ÉNONCÉ DANS LA « GARANTIE LIMITÉE » CI-DESSUS N'EST FAITE OU AUTORISÉE PAR DAYTON.

Désistement sur les conseils techniques et les recommandations. Peu importe les pratiques ou négociations antérieures ou les usages commerciaux, les ventes n'incluent pas l'offre de conseils techniques ou d'assistance ou encore de conception de système. Dayton n'a aucune obligation ou responsabilité quant aux recommandations non autorisées, aux opinions et aux suggestions relatives au choix, à l'installation ou à l'utilisation des produits.

Conformité du produit. De nombreuses juridictions ont des codes et règlements qui gouvernent les ventes, constructions, installations et/ou utilisations de produits pour certains usages qui peuvent varier par rapport à ceux d'une zone voisine. Bien que Dayton essaie de s'assurer que ses produits s'accordent avec ces codes, Dayton ne peut garantir cet accord, et ne peut être jugée responsable pour la façon dont le produit est installé ou utilisé. Avant l'achat et l'usage d'un produit, revoir les applications de ce produit, ainsi que tous les codes et règlements nationaux et locaux applicables, et s'assurer que le produit, son installation et son usage sont en accord avec eux.

Certains aspects de désistement ne sont pas applicables aux produits pour consommateur; ex : (a) certaines juridictions ne permettent pas l'exclusion ou la limitation des dommages indirects ou fortuits et donc la limitation ou exclusion ci-dessus peut ne pas s'appliquer dans le cas présent; (b) également, certaines juridictions n'autorisent pas de limitations de durée de la garantie implicite, en conséquence, la limitation ci-dessus peut ne pas s'appliquer dans le cas présent; et (c) par force de loi, pendant la période de cette Garantie Limitée, toutes garanties impliquées de commerciabilité ou d'adaptabilité à un besoin particulier applicables aux produits de consommateurs achetés par des consommateurs, peuvent ne pas être exclues ni autrement désistées.

Disposition prompte. Un effort de bonne foi sera fait pour corriger ou ajuster rapidement tout produit prouvé défectueux pendant la période de la garantie limitée. Pour tout produit considéré défectueux pendant la période de garantie limitée, contacter tout d'abord le concessionnaire où l'appareil a été acheté. Le concessionnaire doit donner des instructions supplémentaires. S'il est impossible de résoudre le problème de façon satisfaisante, écrire à Dayton à l'adresse ci-dessous, en indiquant le nom et l'adresse du concessionnaire, la date et le numéro de la facture du concessionnaire, et en décrivant la nature du défaut. Le titre et le risque de perte passent à l'acheteur au moment de la livraison par le transporteur. Si le produit a été endommagé pendant le transport, une réclamation doit être faite auprès du transporteur.

Fabriqué pour Dayton Electric Mfg. Co., 5959 W. Howard St., Niles, Illinois 60714-4014 États-Unis

**Commandez les pièces détachées en appelant gratuitement
1 800 323-0620**

24 heures par jour – 365 jours par an

Veillez fournir les informations suivantes :

- Numéro de modèle
- Numéro de série (s'il y en a un)
- Description de la pièce et son numéro
comme montré sur la liste de pièces

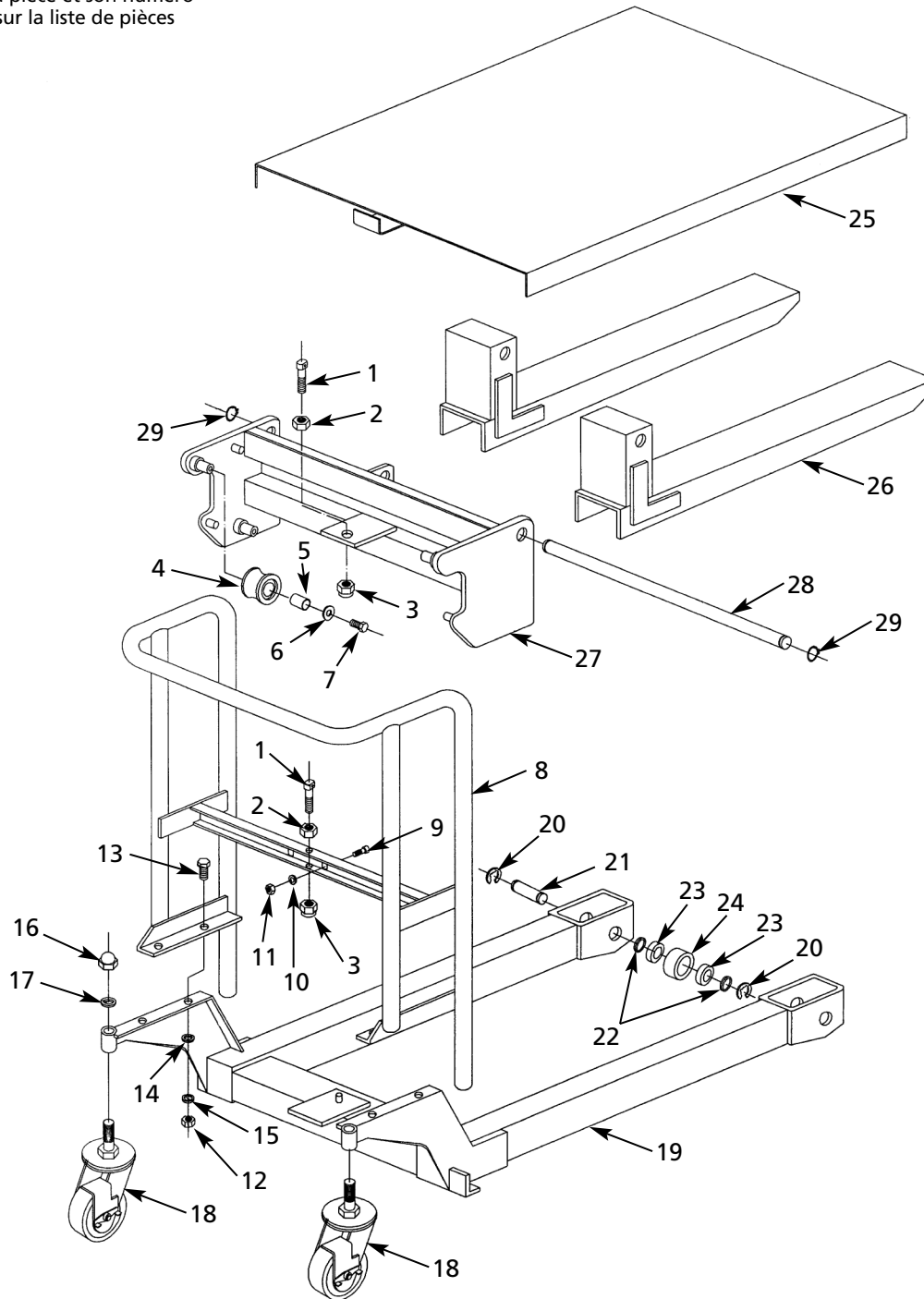


Figure 3 – Illustration des pièces détachées pour chariots ajustables à fourche ou à plate-forme

FRANÇAIS

Modèles 4ECW6 et 4ECW7

Liste des pièces détachées pour élévateur ajustable à fourche ou à plate-forme

N° de réf.	Description	N° de pièce	Qté	N° de réf.	Description	N° de pièce	Qté
	Kit de boulons pour chaîne	MH4ECW601G	2		Kit de roulettes	MH4ECW606G	2
1	Boulon	▲	1	16	Écrou	▲	1
2	Écrou	▲	1	17	Rondelle de sécurité	▲	1
3	Écrou	▲	1	18	Roulette	▲	1
	Kit de rouleau	MH4ECW602G	4	19	Base de l'ensemble élévateur	*	1
4	Rouleau	▲	1		Kit de rouleau de charge	MH4ECW607G	2
5	Douille	▲	1	20	Bague de verrouillage	▲	2
6	Rondelle	▲	1	21	Axe de rouleau	▲	1
7	Boulon	▲	1	22	Rondelle	▲	2
8	Poignée (4ECW6)	*	1	23	Roulement	▲	2
	Poignée (4ECW7)	*	1	24	Rouleau	▲	1
9	Boulon	**	2	25	Plate-forme	MH4ECW609G	1
10	Rondelle	**	2	26	Fourche	MH4ECW610G	2
11	Écrou	**	2	27	Tablier porte-fourche	*	1
12	Écrou	**	4		Kit de l'arbre	MH4ECW612G	1
13	Boulon	**	4	28	Arbre	▲	1
14	Rondelle	**	4	29	Bague de verrouillage	▲	2
15	Rondelle de sécurité	**	4	Δ	Kit d'étiquette de rechange	MH4ECW611G	1

(▲) Disponible seulement comme partie du kit.

(*) Non disponible comme pièce détachée.

(**) Article de quincaillerie ordinaire qui n'est pas offert comme pièce de rechange.

(Δ) Non illustré.

**Commandez les pièces détachées en appelant gratuitement
1 800 323-0620**

24 heures par jour – 365 jours par an

Veillez fournir les informations suivantes :

- Numéro de modèle
- Numéro de série (s'il y en a un)
- Description de la pièce et son numéro
comme montré sur la liste de pièces

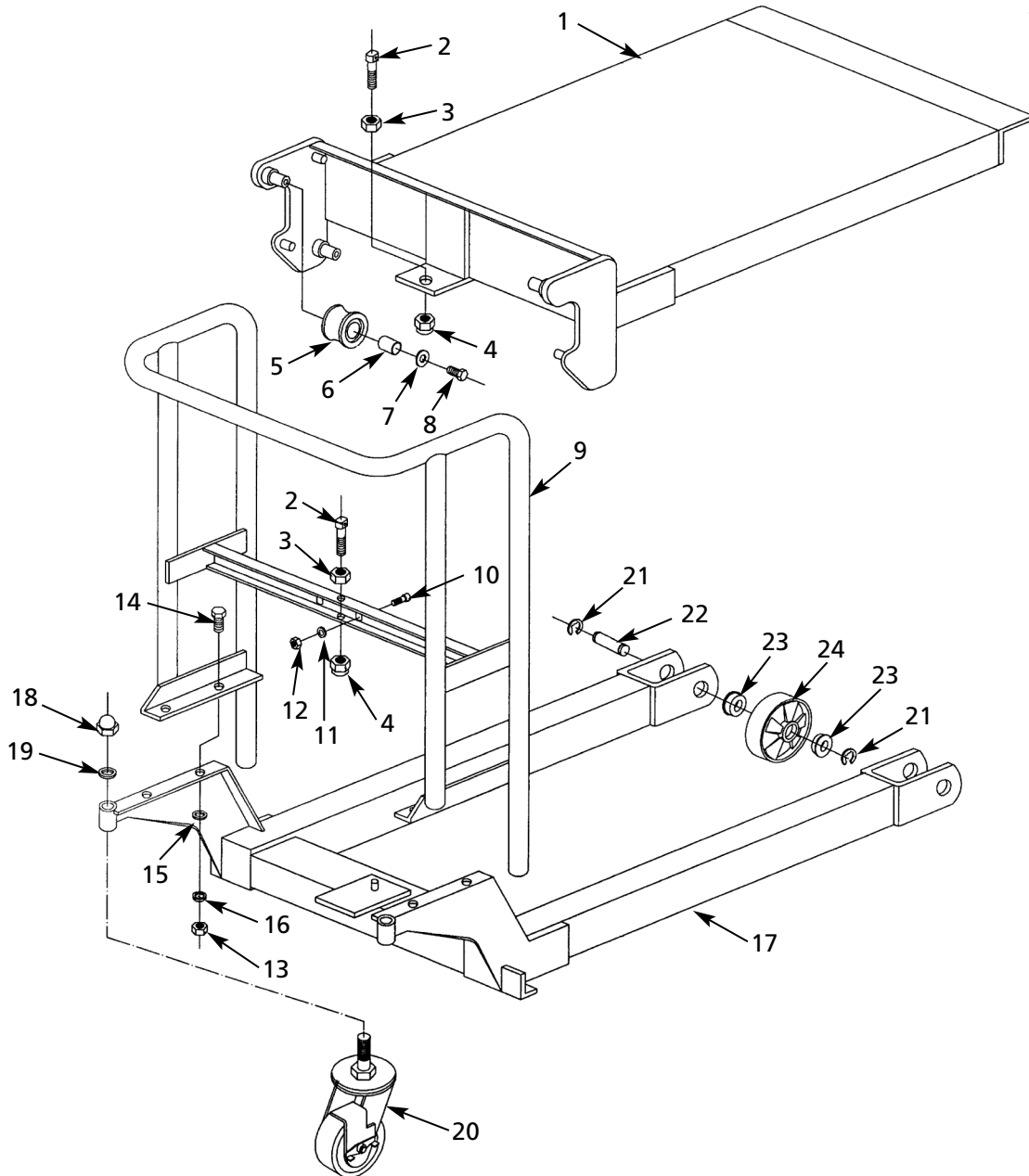


Figure 4 – Illustration des pièces détachées pour élévateur à plate-forme

FRANÇAIS

Modèles 4ECW8, 4ECW9 et 4ECX1

Liste des pièces détachées pour élévateur à plate-forme

N° de réf.	Description	N° de pièce	Qté	N° de réf.	Description	N° de pièce	Qté
1	Plate-forme	MH4ECW801G	1	12	Écrou	**	2
	Kit de boulons pour chaîne	MH4ECW601G	2	13	Écrou	**	4
2	Boulon	▲	1	14	Boulon	**	4
3	Écrou	▲	1	15	Rondelle	**	4
4	Écrou	▲	1	16	Rondelle de sécurité	**	4
	Kit de rouleau	MH4ECW602G	4	17	Base de l'ensemble élévateur	*	1
5	Rouleau	▲	1		Kit de roulettes	MH4ECW803G	2
6	Douille	▲	1	18	Écrou	▲	1
7	Rondelle	▲	1	19	Rondelle de sécurité	▲	1
8	Boulon	▲	1	20	Roulette	▲	1
9	Poignée (4ECW8)	*	1		Kit de rouleau de charge	MH4ECW804G	2
	Poignée (4ECW9)	*	1	21	Bague de verrouillage	▲	2
	Poignée (4ECX1)	*	1	22	Arbre	▲	1
10	Boulon	**	2	23	Roulement	▲	2
11	Rondelle	**	2	24	Rouleau de charge	▲	1

(▲) Disponible seulement comme partie du kit.

(*) Non disponible comme pièce détachée.

(**) Article de quincaillerie ordinaire qui n'est pas offert comme pièce de rechange.

**Commandez les pièces détachées en appelant gratuitement
1 800 323-0620**

24 heures par jour – 365 jours par an

Veillez fournir les informations suivantes :

- Numéro de modèle
- Numéro de série (s'il y en a un)
- Description de la pièce et son numéro
comme montré sur la liste de pièces

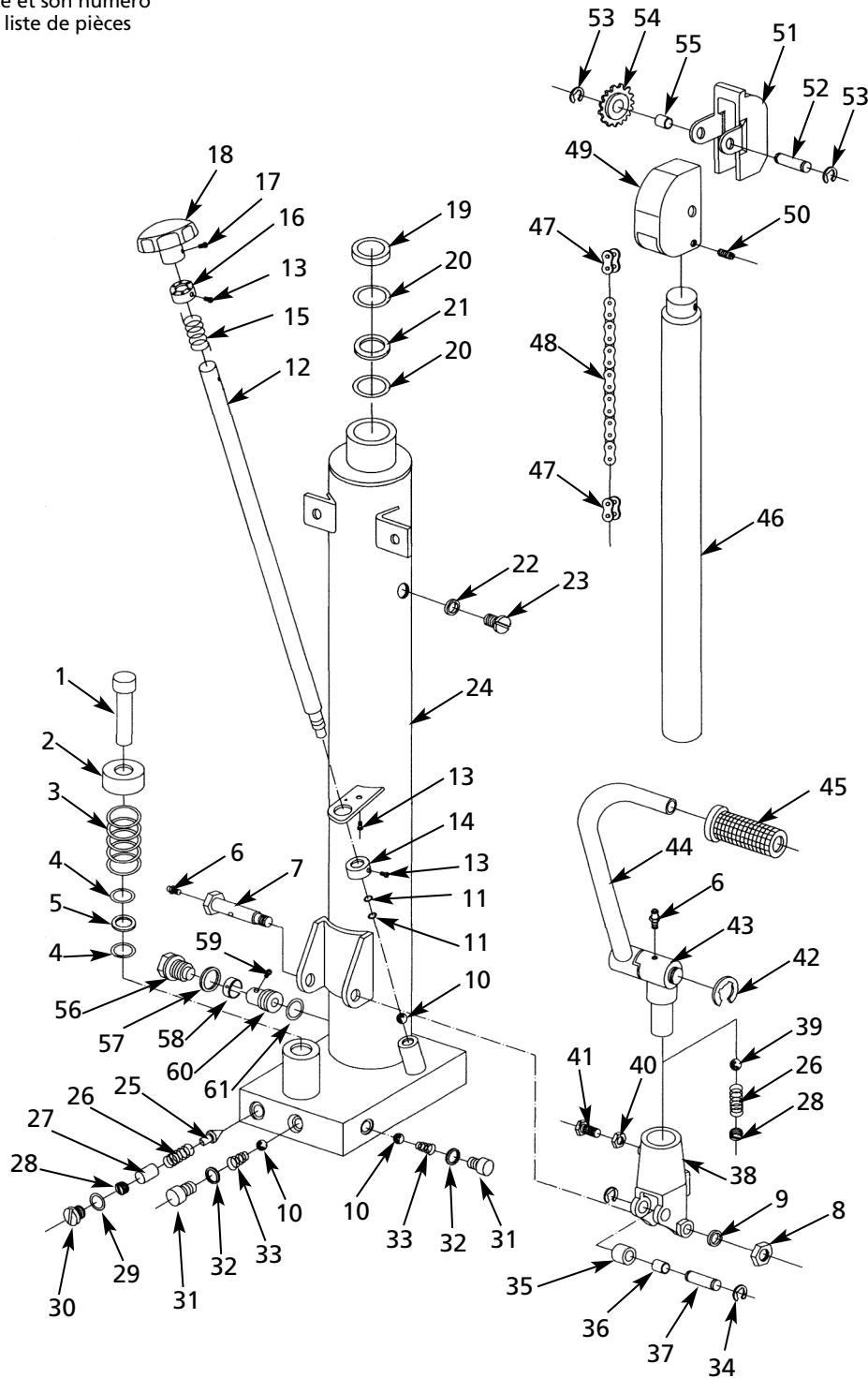


Figure 5 – Illustration des pièces détachées pour pompe de la plate-forme

FRANÇAIS

Modèles 4ECW6 à 4ECW9, 4ECX1

Liste des pièces détachées pour pompe de la plate-forme

N° de réf.	Description	N° de pièce	Qté	N° de réf.	Description	N° de pièce	Qté
	Kit de piston de pompe	MH2MPT217G	1	31	Vis	▲	2
1	Tige de piston de la pompe	▲	1	32	Rondelle d'étanchéité	▲	2
2	Chapeau à ressort	▲	1	33	Ressort	▲	2
3	Ressort	▲	1		Kit de support de pédale	MH2MPT216G	1
4	Joint torique	▲	2	34	Bague de retenue	▲	2
5	Rondelle	▲	1	35	Rouleau presseur	▲	1
	Kit d'axe d'articulation	MH2MPT218G	1	36	Douille	▲	1
6	Raccord de graissage	▲	1	37	Arbre	▲	1
7	Boulon	▲	1	38	Support	▲	1
8	Écrou	▲	1		Kit de joint de pédale	MH2MPT215G	1
9	Rondelle de sécurité	▲	1	6	Raccord de graissage	▲	1
10	Bille d'acier	MH2MPT223G	1	26	Ressort	▲	1
	Kit de tige de soupape	MH2MPT224G	1	28	Boulon de réglage	▲	1
11	Joint torique	▲	2	39	Bille d'acier	▲	1
12	Tige de soupape	▲	1	40	Écrou	▲	1
	Kit d'anneau de fixation/de ressort	MH2MPT222G	1	41	Boulon	▲	1
13	Boulon	▲	4	42	Bague de retenue	▲	1
14	Anneau de fixation	▲	1	43	Siège de barre de pédale	▲	1
15	Ressort	▲	1		Kit de barre de pédale	MH2MPT214G	1
16	Anneau de fixation de tige de soupape	▲	1	44	Barre de pédale	▲	1
	Kit de bouton	MH2MPT225G	1	45	Couvercle en caoutchouc	▲	1
17	Boulon	▲	1	46	Tige de piston de levage	*	1
18	Bouton	▲	1	47	Chaîne de liaison	MH4ECW614G	2
	Kit de bague/joint	MH2MPT213G	1	48	Chaîne (4ECW6)	MH4ECW615G	1
19	Joint protecteur	▲	1		Chaîne (4ECW7)	MH4ECW703G	1
20	Joint torique	▲	2		Chaîne (4ECW8)	MH4ECW806G	1
21	Rondelle	▲	1		Chaîne (4ECW9)	MH4ECW903G	1
	Kit de bouchon de remplissage	MH4ECW613G	1		Chaîne (4ECX1)	MH4ECX103G	1
22	Rondelle d'étanchéité	▲	1		Kit de pignon de chaîne	MH4ECW616G	1
23	Boulon	▲	1	49	Capot	▲	1
24	Corps de pompe	*	1	50	Boulon	▲	1
	Kit de soupape de sécurité	MH2MPT220G	1	51	Chapeau	▲	1
25	Fusée de la soupape	▲	1	52	Arbre	▲	1
26	Ressort	▲	1	53	Bague de verrouillage	▲	2
27	Goupille	▲	1	54	Pignon de chaîne	▲	1
28	Boulon de réglage	▲	1	55	Douille	▲	2
29	Joint torique	▲	1		Kit de bouchon n° 1	MH2MPT219G	1
30	Boulon	▲	1	56	Vis	▲	1
	Kit de bouchon de vidange avec évent	MH2MPT221G	1	57	Rondelle d'étanchéité	▲	1
10	Bille d'acier	▲	2	58	Manchon	▲	1
				59	Vis	▲	1
				60	Siège de clapet	▲	1
				61	Joint torique	▲	1

(▲) Disponible seulement comme partie du kit.

(*) Non disponible comme pièce détachée.

