

Please read and save these instructions. Read carefully before attempting to assemble, install, operate or maintain the product described. Protect yourself and others by observing all safety information. Failure to comply with instructions could result in personal injury and/or property damage! Retain instructions for future reference.

Dayton® Lever Action Drum Pump

Description

Dayton lever action pump 4HA26B is constructed of aluminum and steel to transfer lubricants and other low-viscosity fluids compatible with pump wetted materials. This pump is self-priming and can be used with 15, 30 or 55-gallon drum and features a drip tray to prevent oil spill on ground for safety purpose.

Specifications

Pump Type	Lever Action
Suction Length	40"
Pump Total Height	55"
Flow.16oz/ Stroke
Max. Fluid Temperature . . .	140°F / 60°C
Mounting.	2" Bung Adapter
Wetted Material.	Aluminum, Steel, PE and NBR
Max. Viscosity.	1500 SSU

General Safety Information

▲ WARNING *It is the responsibility of the user to operate the pump in conformance with OSHA rules for dispensing liquids. Pump containers should be grounded when using with flammable liquids to avoid static electricity. Pump should be washed out before usage since processing lubricants could contaminate the fluids.*

1. When using a hand pump (especially when pumping flammable, combustible or hazardous liquids) follow all electrical and safety codes, as well as the United States Occupational Safety and Health Act (OSHA), most recent National Electrical Code (NEC), National Fire Protection, Inc.* (NFPA) Code 30 (Flammable and Combustible Code), NFPA 56A (Standard for use of Inhalation Anesthetics), NFPA 77 (Static Electricity), NFPA 78 (Lightning Protection Code), NFPA 80 (Standard for Fire Doors and Windows), NFPA 251 (Standard Method of fire Test of Building Construction), NFPA 704 (Identification of the Fire Hazards of

Materials), other NFPA codes, local codes and ordinances, as needed in a particular application.

2. Know the pump application, limitations, and potential hazards. The "WARNING" statements indicate potential hazardous conditions for the operator or equipment. TAKE NECESSARY STEPS TO PROTECT PERSONNEL AND EQUIPMENT.

(* Any of the NFPA Codes can be obtained from: National Fire Protection Association, Inc., Batterymarch Park, Quincy, MA 02269, telephone 1-800-344-3555. Write or call for listing and prices.

NOTE: Pump should only be used with liquids compatible with pump component materials. Consult PUMP CHEMICAL COMPATIBILITY CHART and PUMP SPECIFICATIONS. Also, the chemical supplier should be consulted regarding any questions of chemical compatibility, proper and safe use and handling of chemical. Misapplication of pump or use of on-compatible liquids will void warranty.

▲ WARNING *In order to properly use this product, familiarize yourself with this pump and also with the liquid (Chemical, etc.) that is going to be pumped through the unit. Although this pump is suitable for many liquids, it is NOT suitable for all liquids!*

3. Pumping hazardous, flammable, or combustible liquids should only be done in buildings, rooms, or areas suited for this purpose. (See NFPA 30, NFPA 78, NFPA 80, NFPA 251, NFPA 704, other suitable NFPA codes,



FIGURE 1 - 4HA26B

OSHA, insurance companies, local codes and ordinances.)

▲ WARNING *When filling cans, drums, etc. with combustible liquids, both container pumping from and container pumping to, should be bonded and grounded to dissipate possible accumulations of static electricity, and minimize sparks caused by static electricity (Refer to NFPA 77 for specifics and further details).*

▲ WARNING *WARNING Removal of outer garments in work areas where there may be flammable or explosive liquids, which are ignitable with low electrical energy, can be fatal and/or cause property damage (Refer to NFPA 56A, and NFPA 77, for further details)*

4. The "WARNING" and instructions that follow pertain to any flammable, combustible or hazardous fluid.

▲ WARNING *The improper use, handling or storage of flammable liquids can be dangerous. Prevent accidents by following these safety rules:*

E
N
G
L
I
S
H

E
S
P
A
Ñ
O
L

F
R
A
N
Ç
A
I
S

Dayton[®] Lever Action Drum Pump

General Safety Information (Continued)

- a. Use only an approved container to hold or store flammable liquids. Never store flammable liquids in familiar containers such as milk containers or soda pop bottles.
- b. Store flammable liquids in a cool location, out of the reach of children. Never store flammable liquids near heat or an open flame.
- c. Provide a fire extinguisher nearby when working with flammable liquids. Be sure extinguisher is in operating condition – check the pressure gauge or indicator. Be familiar with its proper use.
- d. Consult local fire department for the correct type of extinguisher for your application. Extinguishers rated ABC by the National Fire Protection Association are appropriate for most applications.
- e. Provide positive shut-off valves on all permanent flammable liquid supplies. Flammable liquid lines must be of steel piping, adequately secured, and free from leaks.
- f. Provide adequate ventilation, and clean up any spills when handling or pumping flammable liquids.
- g. POSITIVELY NO SMOKING!
5. Do not use torches or apply fire or flame to this pump for any reason.
6. Secure the discharge line before starting the pump. An unsecured discharge line will whip, possibly causing personal injury and/or property damage.
7. Do not over tighten nonmetallic threaded fittings. One full turn past hand tight is usually enough to

prevent leakage. PTFE sealant tape should be used on all threaded joints, including the spout.

8. Check hoses for weak or worn condition before each use, making certain that all connections are secure.
9. Periodically inspect pump and system components. Perform routine maintenance as required.
10. Drain all liquids from the system before servicing.

▲ WARNING *Any pump used to transfer flammable liquids must be stored in a well ventilated area after use.*

PERSONAL SAFETY

1. Wear safety glasses at all times when working with pump.
2. Wear a face shield, proper apparel and suitable respiratory equipment, when pumping hazardous chemicals.
3. Keep work area clean, uncluttered, and properly lighted, replace all unused tools and equipment.
4. Keep visitors at a safe distance from the work area.
5. Make workshop childproof, with padlocks, master switches, and by removing starter keys.

▲ WARNING *Failure to follow all general safety information can result in a fatality, personal injury and/or property damage!*

Assembly and Installation

1. Check chemical compatibility of oils or other liquids with your supplier first before installation.
2. Screw discharge spout (Ref. No. 6) into pump body outlet. Use PTFE tape on the threads, this will prevent any leakage.

3. Screw tail suction tube (Ref. No. 13) to the middle tube (Ref. No. 12), and screw middle tube to the upper tube (Ref. No. 11). Use PTFE tape sealant on all the suction tube threads. Once all the suction tubes have been threaded together, then screw the completely assemble suction tube into the pump body inlet, using PTFE tape.
4. Screw bung adapter with set screw (Ref. No.4) into the drum, making sure it is tight.
5. Thread drip tray tube (Ref. No. 7) into connector (Ref. No. 1).
6. Thread drip tray (Ref. No. 8), including tray cover (Ref. No. 10) onto drip tray tube (Ref. No. 7). This is the drip tray assembly.
7. Place drip tray assembly on top of bung adapter assembly.
8. From step 3 above, place the drum pump with the assembled suction tube. and slide entire assembly through drip tray assembly and through drum bung into drum.
9. After pump and suction tube assembly is placed on top of drip tray assembly, adjust pump position and direction properly and then screw in the adapter screw (Ref. No.4) until pump is tight.
10. Once the pump is in position, rotate drip tray assembly so that it is aligned directly beneath the discharge spout. Tighten setscrew (Ref. No. 2) on connector.

Model 4HA26B

Operation

Hold the handle and pump up and down. Repeat the lever action by making full strokes until fluids come out from discharge tube. Several strokes are required for the pump to prime.

MAINTENANCE

Regularly check pump body and suction tubes for leaks. Leaks will cause inefficient pumping and loss of prime.

LIMITED WARRANTY

DAYTON ONE-YEAR LIMITED WARRANTY. DAYTON® DRUM PUMPS, MODELS COVERED IN THIS MANUAL, ARE WARRANTED BY DAYTON ELECTRIC MFG. CO. (DAYTON) TO THE ORIGINAL USER AGAINST DEFECTS IN WORKMANSHIP OR MATERIALS UNDER NORMAL USE FOR ONE YEAR AFTER DATE OF PURCHASE. ANY PART WHICH IS DETERMINED TO BE DEFECTIVE IN MATERIAL OR WORKMANSHIP AND RETURNED TO AN AUTHORIZED SERVICE LOCATION, AS DAYTON DESIGNATES, SHIPPING COSTS PREPAID, WILL BE, AS THE EXCLUSIVE REMEDY, REPAIRED OR REPLACED AT DAYTON'S OPTION. FOR LIMITED WARRANTY CLAIM PROCEDURES, SEE "PROMPT DISPOSITION" BELOW. THIS LIMITED WARRANTY GIVES PURCHASERS SPECIFIC LEGAL RIGHTS WHICH VARY FROM JURISDICTION TO JURISDICTION.

LIMITATION OF LIABILITY. TO THE EXTENT ALLOWABLE UNDER APPLICABLE LAW, DAYTON'S LIABILITY FOR CONSEQUENTIAL AND INCIDENTAL DAMAGES IS EXPRESSLY DISCLAIMED. DAYTON'S LIABILITY IN ALL EVENTS IS LIMITED TO AND SHALL NOT EXCEED THE PURCHASE PRICE PAID.

WARRANTY DISCLAIMER. A DILIGENT EFFORT HAS BEEN MADE TO PROVIDE PRODUCT INFORMATION AND ILLUSTRATE THE PRODUCTS IN THIS LITERATURE ACCURATELY; HOWEVER SUCH INFORMATION AND ILLUSTRATIONS ARE FOR THE SOLE PURPOSE OF IDENTIFICATION, AND DO NOT EXPRESS OR IMPLY A WARRANTY THAT THE PRODUCTS ARE MERCHANTABLE, OR FIT FOR A PARTICULAR PURPOSE, OR THAT THE PRODUCTS WILL NECESSARILY CONFORM TO THE ILLUSTRATIONS OR DESCRIPTIONS. EXCEPT AS PROVIDED BELOW, NO WARRANTY OR AFFIRMATION OF FACT, EXPRESSED OR IMPLIED, OTHER THAN AS STATED IN THE "LIMITED WARRANTY" ABOVE IS MADE OR AUTHORIZED BY DAYTON

Technical Advice and Recommendations, Disclaimer. Notwithstanding any past practice or dealings or trade custom, sales shall not include the furnishing of technical advice or assistance or system design Dayton assumes no obligations or liability on account of any unauthorized recommendations, opinions or advice as to the choice, installation or use of products.

Product Suitability. Many jurisdictions have codes and regulations governing sales, construction, installation, and/or use of products for certain Purposes, which may vary from those in neighboring areas. While attempts are made to assure that Dayton products comply with such codes, Dayton cannot guarantee compliance, and cannot be responsible for how the product is installed or used. Before purchase and use of a product, review the product applications, and all applicable national and local codes and regulations, and be sure that the product, installation, and use will comply with them.

Certain aspects of disclaimers are not applicable to consumer products; e.g., (a) some jurisdictions do not allow the exclusion or limitation of incidental or consequential damages, so the above limitation or exclusion may not apply to you; (b) also, some jurisdictions do not allow a limitation on how long an implied warranty lasts, consequently the above limitation may not apply to you; and (c) by law, during the period of this Limited Warranty, any implied warranties of implied merchantability or fitness for a particular purpose applicable to consumer Products purchased by consumers, may not be excluded or otherwise disclaimed.

Prompt Disposition. A good faith effort will be made for prompt correction or other adjustment with respect to any product which proves to be defective within limited warranty. For any product believed to be defective within limited warranty, first write or call dealer from whom the product was purchased. Dealer will give additional directions. If unable to resolve satisfactorily, write to Dayton at address below, Giving dealer's name, address, date, and number of dealer's invoice, and describing the nature of the defect. Title and risk of loss pass to buyer on delivery to common carrier. If product was damaged in transit to you, file claim with carrier

Manufactured for Dayton Electric Mfg. Co., 100 Grainger Parkway, Lake Forest, Illinois 60045-5201 U.S.A.

For Repair Parts, call 1-800-Grainger

24 hours a day – 365 days a year

Please provide following information:

- Model number
- Serial number (if any)
- Part description and number as shown in parts list

E
N
G
L
I
S
H

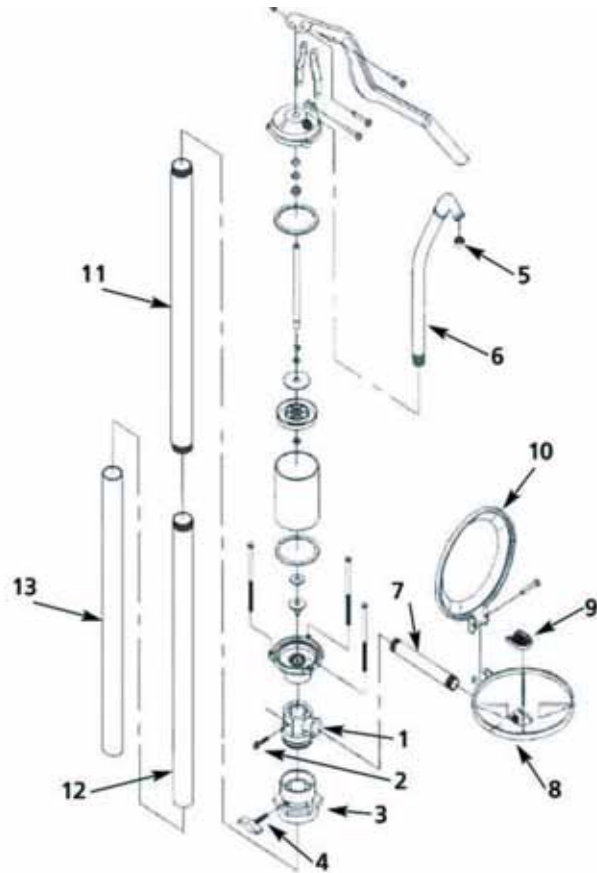


Figure 2 – Repair Parts Illustration for Lever Action Drum Pump

Repair Parts List for Lever Action Drum Pump

Reference Number	Description	Material	Part Number	Quantity
	Connector Kit		PP4HA26BHKG	
1	Connector	Aluminum	*	1
2	Thumb Screw	Steel	*	1
	Bung Adapter Kit		PP4HA26BAKG	
3	Bung Adapter	Aluminum	*	1
4	Adapter Screw	Steel	*	1
	Discharge Spout Kit		PP4HA26BDSKG	
5	Discharge Spout	Steel	*	1
6	Spout Cap	POM	*	1
	Drip Tray Kit		PP4HA26BDTKG	
7	Tray Tube	Steel	*	1
8	Tray	Aluminum	*	1
9	Filter	POM	*	1
10	Tray Cover	ABS	*	1
	Suction Tube Kit		PP4HA26BSTKG	
11	Suction Tube	Steel	*	1
12	Suction Tube	Steel	*	1
13	Tail Pipe	Steel	*	1

(*) Available only as a kit

Por favor lea y guarde estas instrucciones. Léalas cuidadosamente antes de tratar de montar, instalar, operar o dar mantenimiento al producto aquí descrito. Protéjase usted mismo y a los demás observando toda la información de seguridad. ¡El no cumplir con las instrucciones puede ocasionar daños, tanto personales como a la propiedad! Guarde estas instrucciones para referencia en el futuro.

Dayton® Bomba de Tambor, de Accion de Palanca

Descripción

Esta bomba de tambor manual accionada por palanca Dayton se utiliza por lo general para surtir o transferir fluidos de baja viscosidad desde cilindros y baldes de 57, 114 ó 208 litros. Esta bomba está fabricada de aluminio, acero, polietileno y caucho Buna, y se utiliza únicamente con fluidos compatibles con dichos materiales de construcción. El modelo 4HA26B suministra 0.47 litros de fluido por carrera y está diseñada para ofrecer compatibilidad con cilindros de 57, 114 ó 208 litros. El modelo 4HA26B es una bomba autocebadora. Incluye además una bandeja contra goteo y un adaptador de tapón MNPT de 2 pulgadas.

Especificaciones

Tipo de bomba. Accionada por palanca
Flujo 16oz/Carrera
Temperatura máxima del líquido 140°F/60°C
Montaje Adaptador de tapón MNPT de 2"
Materiales de construcción húmedos Aluminio, acero, polietileno y caucho Buna
Viscosidad máxima 1500 SSU

Información de Seguridad General

⚠ ADVERTENCIA *El usuario tiene la responsabilidad de manejar la bomba en conformidad con las normas OSHA para dispensación de líquidos. Cuando use líquidos inflamables, los recipientes de las bombas deben estar puestos a tierra para evitar electricidad estática. Se debe lavar la bomba antes de utilizarla, ya que los lubricantes del proceso pueden dejar residuos que contaminen los líquidos.*

1. Cuando utilice una bomba manual (especialmente cuando bombee líquidos inflamables, combustibles o peligrosos) cumpla con todos los códigos eléctricos y de seguridad, así como con la Ley de Seguridad y Salud Ocupacional de los Estados Unidos (OSHA); el más reciente Código Eléctrico Nacional (NEC); el Código 30 (Código de Sustancias Inflamables y Combustibles) de Protección contra incendios* (NFPA); NFPA 56A (Norma para el Uso de Anestésicos inhalatorios); NFPA 77 (Electricidad Estática); NFPA 78 (Código de

Protección contra Descargas Eléctricas Atmosféricas); NFPA 80 (Normas para Puertas y Ventanas Cortafuego); NFPA 251 (Método Estándar de Ensayos de Incendio en Construcción de Edificaciones); NFPA 704 (Identificación de los Riesgos de Incendio de Materiales); y otros códigos de la NFPA, leyes y regulaciones de las localidades, según se requieran en aplicaciones particulares.

2. Familiarícese con la aplicación, restricciones y peligros potenciales de la bomba. Los enunciados de "ADVERTENCIA" indican condiciones de riesgo potencial para el operador o el equipo. TOME LAS MEDIDAS NECESARIAS PARA PROTEGER AL PERSONAL Y AL EQUIPO.

(*) Todo código de la NFPA se puede conseguir a través de: National Fire Protection Association, Inc., Batterymarch Park, Quincy, MA 02269, teléfono 1-800-344-3555. Puede solicitar la lista y los precios por correo o teléfono.

AVISO: La bomba se debe utilizar únicamente con líquidos compatibles con los materiales componentes de la bomba. Consulte el CUADRO DE COMPATIBILIDAD QUIMICA DE LA BOMBA y ESPECIFICACIONES DE LA BOMBA. Además, consulte al proveedor de sustancias químicas en relación con cualquier pregunta de compatibilidad química, así como el uso y manejo adecuado y seguro de las sustancias químicas. La aplicación incorrecta de la



DIBUJO 1 – 4HA26B

bomba o el uso de líquidos no compatibles anulará la garantía.

⚠ ADVERTENCIA *Para usar este producto correctamente, familiarícese usted con esta bomba, así como con el líquido (sustancia química, etc.) que será bombeado a través de la unidad. Aunque esta bomba es adecuada para muchos líquidos, ¡NO es adecuada para todos los líquidos!*

3. Sólo se deben bombear líquidos peligrosos, inflamables o combustibles en edificios, habitaciones o lugares adecuados para este propósito (consulte NFPA 30, NFPA 78, NFPA 80, NFPA 251, NFPA 704 u otros códigos de la NFPA, OSHA, empresas aseguradoras o leyes y reglamentos de su localidad que sean aplicables).

⚠ ADVERTENCIA *Mientras llena latas, bidones, etc. De líquidos combustibles, tanto los recipientes de los cuales se bombea como aquéllos a los cuales se bombea deben estar sujetos y puestos a tierra para disipar cualquier acumulación de electricidad estática y para minimizar las chispas causadas por la electricidad estática (consulte aspectos específicos y demás detalles en el código NFPA 77).*

Dayton® Bomba de Tambor, de Accion de Palanca

Información de Seguridad General (Continuación)

La acción de quitarse las prendas de vestir externas en las zonas de trabajo donde pueda haber líquidos inflamables o explosivos que se encienden con poca energía eléctrica puede ser fatal y/o causar daños materiales (consulte demás detalles en los códigos NFPA 56A y NFPA 77).

4. La "ADVERTENCIA" e instrucciones siguientes se refieren a cualquier líquido inflamable, combustible o peligroso.

▲ ADVERTENCIA *El uso, manejo o almacenamiento inadecuado de líquidos inflamables puede ser peligroso. Siga estas normas de seguridad que se dan a continuación para evitar los accidentes:*

- Utilice sólo un recipiente adecuado para contener o almacenar líquidos inflamables. Nunca almacene líquidos inflamables en recipientes familiares como recipientes de leche ni botellas de bebida gaseosa.
- Siempre almacene los líquidos inflamables en un lugar fresco y fuera del alcance de los niños. Nunca almacene líquidos inflamables cerca de fuentes de calor o llamas vivas.
- Mantenga un extintor de incendios cerca del área donde trabaje con líquidos inflamables. Cerciórese de que el extintor esté en buenas condiciones de funcionamiento; verifique el indicador o medidor de presión. Familiarícese con su uso correcto. Consulte con el departamento de bomberos de su localidad acerca del tipo de extintor correcto para su uso particular. Los extintores clasificados ABC por la Asociación Nacional de Protección Contra Incendios se ajustan a la mayoría de aplicaciones.
- Proporcione válvulas de cierre positivo en todos los suministros de líquidos combustibles permanentes. Los conductos de líquidos inflamables deben estar hechos de

tubería de acero, que sea adecuadamente segura y sin fugas.

- Mantenga una ventilación adecuada y limpie todo derrame cuando trabaje con o bombee líquidos inflamables.
- ¡TOTALMENTE PROHIBIDO FUMAR!**
- No use antorchas ni esponja esta bomba a llamas o fuego por ninguna razón.
- Asegure el conducto de descarga antes de usar la bomba. Todo conducto de descarga que no está bien sujetado puede deslizarse y ocasionar lesiones a personas y/o daños materiales.
- No sobreapriete los adaptadores roscados no metálicos. Una vuelta completa después del ajuste manual es normalmente suficiente para evitar la fugas. Se debe utilizar sellador PTFE con la bomba, en todas las uniones roscadas, incluyendo la boquilla.
- Antes de usar, verifique en cada ocasión que las mangueras no estén debilitadas ni desgastadas y asegúrese de que todas las conexiones estén fijas.
- Inspeccione regularmente la bomba y los componentes del sistema. Realice un mantenimiento de rutina según sea necesario.
- Drene todos los líquidos del sistema antes de darle servicio.

▲ ADVERTENCIA *Toda bomba utilizada para transferir líquidos inflamables debe almacenarse en un espacio bien ventilado después de hacer uso de ella.*

NORMAS DE SEGURIDAD PERSONAL

- Siempre use gafas de protección cuando trabaje con la bomba.
- Use un protector facial, vestimenta adecuada y un equipo de respiración adecuada cuando bombee sustancias químicas peligrosas.

- Mantenga el área limpia, sin obstáculos y adecuadamente iluminada; devuelva a su sitio todas las herramientas y equipo no utilizados.
- Mantenga a los visitantes a una distancia prudente del área de trabajo.
- Impida el acceso al taller por parte de los niños, mediante candados e interruptores maestros, y retirando las llaves de arranque.

▲ ADVERTENCIA *El no cumplir con la información de seguridad general puede ocasionar accidentes mortales o lesiones a personas y/o daños materiales!*

Ensamblaje e Instalación

- Póngase en contacto con su proveedor de sustancias o fluidos químicos para verificar la compatibilidad de estos con la bomba antes de instalar y usar misma.
- Atornille la boquilla de descarga (Ref. No. 5) en la salida del cuerpo de la bomba. No es necesario aplicar sellador.
- Enrosque el tubo de succión (Ref. No. 11) en la entrada del cuerpo de la bomba. Atornille el tubo de succión (Ref. No. 12) en el tubo de escape (Ref. No. 13) en el tubo de succión (Ref. No. 12). No es necesario aplicar sellador. Coloque el conjunto del tubo de succión y bomba a un lado.
- Enrosque el conjunto del adaptador de tapón (Ref. No. 3), incluyendo el tornillo de fijación (Ref. No. 4) en el cilindro. Este es el conjunto del adaptador de tapón
- Atornille el tubo de la bandeja contra goteo (Ref. No. 7) en el conector (Ref. No. 1).
- Enrosque la bandeja contra goteo Ref. No. 8) incluyendo la cubierta de la bandeja (Ref. No. 10) en el tubo de la bandeja contra goteo (Ref. No. 7). Este es el conjunto de la bandeja contra goteo.

Modelo 4HA26B

Ensamblaje e Instalación (Continuación)

7. Coloque el conjunto de la bandeja contra goteo en la parte superior del conjunto del adaptador de tapón.
8. Deslice el conjunto completo del tubo de succión y bomba del cilindro del paso 3 arriba a través del conjunto de la bandeja contra goteo y a través del adaptador del cilindro en el cilindro.
9. Una vez se haya colocado el conjunto del tubo de succión y bomba en la parte superior del conjunto de la bandeja contra goteo, gire la bomba a la posición deseada y apriete el

tornillo de fijación con la mano (Ref. No. 4) en el adaptador de tapón.

10. Una vez la bomba se encuentre en la posición deseada, gire el conjunto de la bandeja contra goteo de manera que quede alineado directamente debajo de la boquilla de descarga en la bomba. Apriete el tornillo de fijación con la mano (Ref. No. 2) en el conector.
11. Asegúrese de instalar el conjunto del tubo de succión y bomba de manera que el tubo de succión esté a la profundidad deseada en el cilindro y no esté bloqueado.

Operación

Para comenzar a bombear fluido, agarre la manivela y bombee hacia arriba y hacia abajo varias veces realizando carreras completas hasta que el fluido empiece a fluir. Varias carreras serán necesarias para cebar la bomba antes de que ésta surta el fluido. Una vez cebada la bomba, el fluido comienza a fluir cuando se activa la manivela.

Mantenimiento

Inspeccione regularmente la bomba y los tubos de succión para ver si hay fugas. Las fugas en el conducto de succión o en la caja de la bomba causarán un bombeo ineficaz y la pérdida del cebado.

GARANTIA LIMITADA

GARANTIA LIMITADA DE DAYTON POR UN AÑO. Dayton Electric Mfg. Co. (Dayton) le garantiza al usuario original que los modelos tratados en este manual de las (Bombas de Tambor Giratoire Dayton®) Bombas de Tambor Giratoire están libres de defectos en la mano de obra o el material, cuando se les somete a uso normal, por un año a partir de la fecha de compra. Cualquier parte que se encuentre defectuosa, tanto en el material como en la mano de obra, y sea devuelta a un lugar de servicio autorizado designado por Dayton, con los costos de envío pagados por adelantado, será reparada o reemplazada a la discreción de Dayton como remedio exclusivo. Para obtener la información sobre los procedimientos de reclamo cubiertos en la garantía limitada vea ATENCION OPORTUNA a continuación. Esta garantía limitada confiere a los compradores derechos legales específicos que varían de jurisdicción a jurisdicción.

LIMITES DE RESPONSABILIDAD. Hasta el punto que las leyes aplicables lo permitan, la responsabilidad de Dayton por los daños emergentes o incidentales está expresamente excluida. La responsabilidad de Dayton expresamente está limitada y no puede exceder el precio de compra pagado por el artículo.

EXCLUSION DE RESPONSABILIDAD DE LA GARANTIA. Dayton se ha esforzado diligentemente para proporcionar información sobre el producto en esta literatura en forma apropiada; sin embargo, tal información y las ilustraciones y descripciones tienen como único propósito la identificación del producto y no expresan ni implican garantía de que los productos son VENDIBLES o ADECUADOS PARA UN PROPOSITO EN PARTICULAR o que se ajustan necesariamente a las ilustraciones o descripciones. Con excepción de lo que se establece a continuación,

Dayton no hace ni autoriza ninguna garantía o afirmación de hecho, expresa o implícita, que no sea estipulada en la "GARANTIA LIMITADA" anterior.

ADAPTACION DEL PRODUCTO. Muchas jurisdicciones tienen códigos o reglamentos que rigen las ventas, la construcción, la instalación y/o el uso del producto para ciertos propósitos que pueden variar con respecto a los aplicables a las zonas vecinas. Si bien Dayton trata de que sus productos cumplan con dichos códigos, no puede garantizar su conformidad y no puede hacerse responsable por la forma en que su producto se instala o usa. Antes de comprar y usar el producto, revise su aplicación y todos los códigos y regulaciones nacionales y locales aplicables, y asegúrese que el producto, la instalación y el uso los cumplan. Ciertos aspectos de limitación de responsabilidad no se aplican a los productos del consumidor; es decir (a) algunas jurisdicciones no permiten la exclusión o la limitación de daños incidentales o emergentes, de modo que las limitaciones o exclusiones anteriores puede que no se apliquen en su caso; (b) también, algunas jurisdicciones no permiten limitar el tiempo que una garantía implícita dura, por lo tanto, la limitación anterior puede que no se aplique en su caso; y (c) por ley, durante el período que dura esta Garantía Limitada, las garantías implícitas de comercialización o de adecuación para un propósito en particular aplicables a los productos del consumidor comprados por consumidores no pueden ser excluidas o no pueden excluirse de la responsabilidad en alguna otra forma.

ATENCION OPORTUNA. Dayton hará un esfuerzo de buena fe para corregir puntualmente, o hacer otros ajustes, con respecto a cualquier producto que resulte defectuoso dentro de los términos de esta garantía limitada. En el caso de que encuentre un producto defectuoso y que esté cubierto dentro de los límites de esta garantía haga el favor de escribir primero, o llame, al distribuidor de quien compró el producto. El distribuidor le dará las instrucciones adicionales. Si no puede resolver el problema en forma satisfactoria, escriba a Dayton a la dirección a continuación, dando el nombre del distribuidor, su dirección, la fecha y el número de la factura del distribuidor y describa la naturaleza del defecto. La propiedad del artículo y el riesgo de pérdida pasan al comprador en el momento de la entrega del artículo a la compañía de transporte. Si el producto se daña durante el transporte debe presentar su reclamo a la compañía de transporte.

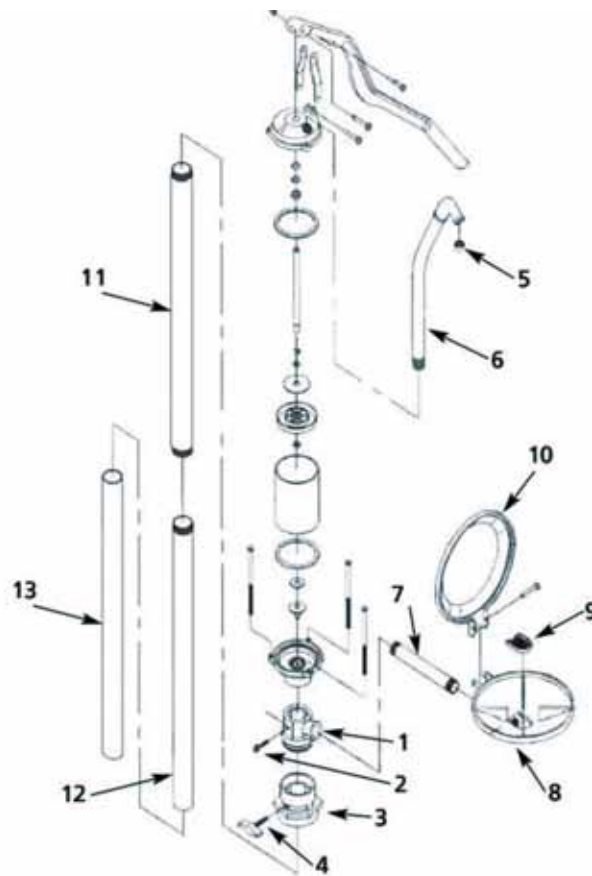
Fabricado para Dayton Electric Mfg. Co., 100 Grainger Parkway, Lake Forest, Illinois 60045-5201 EE.UU.

**Para Obtener Partes de Reparación en México Llame al 001-800-527-2331
en EE.UU. Llame al 1-800-Grainger**

Servicio permanente – 24 horas al día al año

Por favor proporciónenos la siguiente información:

- Número de modelo
- Número de serie (si lo tiene)
- Descripción de la parte y número que le corresponde en la lista de partes



DIBUJO 2 – Ilustración de piezas remotas de la bomba de tambor

Lista de Repuestos para Bomba de Tambor Accionada por Palanca de Acero Inoxidable

Referencia	Descripción	Material	Número de Parte	Cantidad
	Juego de Conector		PP4HA26BHKG	
1	Conector	aluminio	*	1
2	Tornillo de mariposa	acero	*	1
	Juego de adaptador de tapón		PP4HA26BAKG	
3	Adaptador de tapón	aluminio	*	1
4	Tornillo del adaptador	acero	*	1
	Juego de la boquilla de descarga		PP4HA26BDSKG	
5	Boquilla de descarga	acero	*	1
6	Tapa con boquilla	POM	*	1
	Juego de la bandeja contra goteo		PP4HA26BDTKG	
7	Tubo de la bandeja	Acero	*	1
8	Bandeja	Aluminio	*	1
9	Filtro	POM	*	1
10	Cubierta de la bandeja	ABS	*	1
	Juego del tubo de succión		PP4HA26BSTKG	
11	Tubo de succión	Acero	*	1
12	Tubo de succión	Acero	*	1
13	Tubo de escape	Acero	*	1

(*)Disponible sólo como un juego.

Veillez lire et respecter ces instructions. Lisez attentivement avant de tenter d'assembler, d'installer, d'utiliser ou de réparer le produit présenté. Protégez-vous et protégez votre entourage en respectant toutes les consignes de sécurité. Tout manquement pourrait induire des dommages corporels et/ou des dégâts matériels ! Conservez ces instructions pour toute utilisation future.

Dayton® Pompe à Levier Tambour D'action

Description

Cette pompe à Tonneau - Levier d' Action Manuel de Dayton est communément utilisée pour distribuer ou transférer des fluides de faible viscosité à partir de fûts et de seaux de 15, 30 ou 55 gallons. Cette pompe est construite en aluminium, acier, polyéthylène et caoutchouc Buna et est conçue pour une utilisation seulement avec des fluides compatibles avec ces matériaux de construction. Le Modèle 4HA26B est une pompe auto-amorçante. Elle inclut également un plateau d'égouttage et un adaptateur de bonde MNPT de 2".

Spécifications

Type de Pompe. Action de Levier
Flux. 16oz/Coup
Température Maximale du Fluide. 140°F/60°C
Montag.
Adaptateur de Bonde MNPT de 2"
Matériaux Mouillés de Construction. . . .
. Luminium, Acier, Polyéthylène et
Caoutchouc Buna.
Viscosité Maximale. 1500 SSU

Informations générales de Sécurité

▲ AVERTISSEMENT *C'est la responsabilité de l'utilisateur d'exploiter la pompe dans la conformité avec des règles d'OSHA à distribuer des liquides. Les conteneurs de pompe devraient être fondés en utilisant avec des liquides inflammables pour éviter l'électricité statique. La pompe devrait être lavée d'avant que l'utilisation depuis le traitement de lubrifiants ne puisse contaminer les liquides.*

1. En utilisant une pompe manuelle (particulièrement pendant pompage des liquides inflammables, combustibles ou dangereux) suivent tous les codes électriques et de sécurité, aussi bien que la Loi sur la santé et la sécurité du travail des états-Unis, le Code d'Électricité national le plus récent (NEC), L'Association nationale de protection contre l'incendie (NFPA) le Code 30 (Code Inflammable et Combustible),

NFPA 56A (Norme pour utilisation d'Anesthésiques d'Inhalation), NFPA 77 (Électricité Statique), NFPA 78 (Code de protection de Foudre), NFPA 80 (Normepour Portes anti-incendie et Fenêtres), NFPA 251 (la Méthode Standard d'essai de résistance au feu de la Construction), NFPA 704 (l'Identification des Dangers d'incendie de Matières), d'autre NFPA code, des codes locaux et des ordonnances, comme nécessaire dans une application particulière.

2. Connaissez l'application de pompe, des limitations et des hazards Potentiels. Les déclarations "AVERTISSEMENT" indiquent des conditions dangereuses potentielles pour l'opérateur ou l'équipement PRENEZ DES ACTIONS NÉCESSAIRES POUR PROTÉGER LE PERSONNEL ET L'ÉQUIPEMENT.

(*) Les Codes de NFPA peut être obtenu de: National Fire Protection Association, Inc., Batterymarch Park, Quincy, MA 02269, téléphone : 1-800-344-3555. Écrivez ou appelez pour la fiche descriptive et des prix.

NOTE: Les pompes devraient seulement être utilisées avec des liquides compatibles avec des matériels composant de pompes. Consultez le DIAGRAMME DE COMPATIBILITÉ DE PRODUIT CHIMIQUE DE POMPE et LES CARACTERISTIQUES TECHNIQUES DE POMPE. Aussi, on devrait consulter le



FIGURE 1 - 4HA26B

fournisseur chimique quant à n'importe quelles questions de la compatibilité chimique, l'utilisation appropriée et sûre et le traitement de produit chimique. L'usage impropre de pompe ou l'utilisation de liquides non compatibles annulera la garantie.

▲ AVERTISSEMENT *Pour correctement utiliser ce produit, familiarisez vous avec cette pompe et aussi avec le liquide (le produit chimique, etc.) qui va être pompé par l'unité. Bien que cette pompe soit appropriée pour beaucoup de liquides, ce n'est pas approprié pour tous les liquides !*

3. Des liquides dangereux, inflammables, ou combustibles de pompage devraient seulement être faits dans des bâtiments, des chambres, ou des secteurs convenus à cette fin. (Voir NFPA 30, NFPA 78, NFPA 80, NFPA 251, NFPA 704, d'autre NFPA approprié code, OSHA, des sociétés d'assurance, des codes locaux et des ordonnances.)

Dayton® Pompe à Levier Tambour D'action

Informations générales de Sécurité(continué)

▲ AVERTISSEMENT *En remplissant des boîtes, des tambours, etc. avec des liquides combustibles, tant le conteneur de pompage que du conteneur de pompage à, devraient être collés et fondés pour dissiper les accumulations possibles d'électricité statique et réduire au minimum des étincelles causées par l'électricité statique (Référez-vous à NFPA 77 pour des détails et de nouveaux détails). Le déplacement de vêtements extérieurs dans des secteurs de travail où il peut y avoir des liquides inflammables ou explosifs, qui sont ignitable avec l'énergie électrique basse, peut être fatal et-ou causer des dégâts de propriété (Référez-vous à NFPA 56A et NFPA 77, pour de nouveaux détails)*

4. "L'AVERTISSEMENT" et les instructions qui suivent appartiennent à n'importe quel liquide inflammable, combustible et dangereux.

▲ AVERTISSEMENT *L'utilisation, manipulation ou le stockage incorrect de liquides inflammables peut être dangereuse. Empêchez des accidents par suivant ces règles de sécurité :*

- a. Utilisez seulement un conteneur approuvé pour tenir ou stocker des liquides inflammables. Ne stockez jamais des liquides inflammables dans des conteneurs familiers comme des conteneurs de lait ou des bouteilles de soda.
- b. Stockez des liquides inflammables dans un emplacement frais, de la portée d'enfants. Ne stockez jamais des liquides inflammables près de la chaleur ou une flamme ouverte.
- c. Fournissez un extincteur en travaillant tout près avec des liquides inflammables. Soyez que l'extincteur est dans la condition de fonctionnement - vérifiez le manomètre ou l'indicateur. Soyez familier avec son utilisation appropriée. Consultez des pompiers locaux pour le type correct d'extincteur pour votre demande. Les extincteurs évalués ABC par l'Association nationale de Protection contre l'incendie sont

appropriés à la plupart des demandes.

- d. Fournissez des soupapes d'arrêt positives sur toutes les provisions liquides inflammables permanentes. Des lignes liquides inflammables doivent avoir de tuyauterie d'acier, en justes proportions garanties et libres de fuites.
- e. Fournissez la ventilation adéquate et nettoyez n'importe quels renversements en manipulant ou pompant des liquides inflammables
- f. DÉFENSE DE FUMER STRICTEMENT
5. N'utilisez pas de torches ou appliquez le feu ou la flamme à cette pompe pour n'importe quelle raison.
6. Sécurisez la ligne de décharge avant le départ de la pompe. Une ligne de décharge sans garantie glissera, causant probablement la blessure personnelle et-ou des dégâts de propriété.
7. Ne refaites pas serrent des installations chaînées non métalliques. Une tournure pleine la main passée serré est d'habitude assez pour empêcher la fuite. La bande de mastic de PTFE devrait être utilisé sur tous les joints chaînés, y compris le bec.
8. Vérifiez des tuyaux pour la condition faible ou portée avant chaque utilisation, faisant certain que toutes les connexions sont sécurisées.
9. Inspectez périodiquement la pompe et des composants de système. Exécutez la maintenance ordinaire comme exigée.
10. Drainez tous les liquides du système avant l'entretien.

▲ AVERTISSEMENT *N'importe quelle pompe a eu l'habitude d'être transféré des liquides inflammables doivent être stockés dans un secteur bien aéré après l'utilisation.*

SECURITE PERSONNELLE

1. Portez des lunettes de sécurité en

travaillant à tout moment avec pompe.

2. Portez l'écran facial, l'habillement approprié et l'équipement respiratoire approprié, pendant le pompage des produits chimiques dangereux.
3. Gardez le secteur de travail propre, non encombré et correctement éclairé, remplacez tous les outils et les équipements inutilisés.
4. Gardez des visiteurs à une distance sûre du secteur de travail.
5. Faites l'atelier à l'épreuve des enfants, avec des cadenas, des interrupteurs principaux et en enlevant des clefs de démarreur.

▲ AVERTISSEMENT *L'échec de suivre toutes les informations générales de sécurité peut aboutir à un accident mortel, la blessure personnelle et-ou des dégâts de propriété.*

Assemblage et Installation

1. Contactez votre fournisseur de produits chimiques ou fluide pour vérifier la compatibilité avec la pompe avant l'installation et l'opération.
2. Vissez l'embout de décharge (Réf. No. 5) dans la sortie de la pompe. Aucun joint n'est requis.
3. Enfillez le tube d'aspiration (Réf. No. 11) dans l'entrée de la pompe. Enfillez le tube d'aspiration (Réf. No. 12) dans le tube d'aspiration (Réf. No. 11). Enfillez le tuyau d'échappement (Réf. No. 13) dans le tube d'aspiration (Réf. No. 12). Aucun joint n'est requis. Laissez l'assemblage de la pompe et du tube d'aspiration de côté.
4. Enfillez l'assemblage de l'adaptateur de bonde (Réf. No. 3), incluant le vis de blocage (Réf. No. 4) dans le seau ou le tonneau. Il s'agit l'assemblage du plateau d'égouttage.
5. Enfillez le tube du plateau d'égouttage (Réf. No. 7) dans le connecteur (Réf. No. 1).

Modèles 4HA26B

Assemblage et Installation (continué)

6. Enfilez le plateau d'égouttage (Réf. No. 8), incluant le dessus du plateau (Réf. No. 10) sur le tube du plateau d'égouttage (Réf. No. 7). Il s'agit de l'assemblage du plateau d'égouttage.
7. Placez l'assemblage du plateau d'égouttage au-dessus de l'assemblage du plateau d'égouttage.
8. Retirez l'assemblage de la pompe à seau et du tube d'aspiration de l'étape 3 ci-dessus et glissez l'assemblage entier à travers l'assemblage du plateau d'égouttage et à travers la bonde du seau dans le seau.
9. Une fois que l'assemblage de la pompe et du tube d'aspiration a été placé au-dessus de l'assemblage du

plateau d'égouttage, tournez la pompe sur la position souhaitée serrez manuellement le vis de blocage (Réf. No. 4) sur l'adaptateur de bonde.

10. Une fois que la pompe est dans la position souhaitée, tournez l'assemblage du plateau d'égouttage de façon à ce qu'il soit aligné directement sous l'embout de décharge sur la pompe. Serrez manuellement le vis de blocage (Réf. No. 2) sur le connecteur.
11. Assurez-vous d'ajuster l'assemblage de la pompe et du tube d'aspiration de façon à ce que le tube d'aspiration soit à la profondeur désirée dans le fût est ne soit pas bloqué.

Opération

Pour commencer à pomper le fluide, saisissez la poignée et pompez plusieurs fois en faisant des coups pleins jusqu'à ce que le fluide commence à couler. Plusieurs coups seront effectués sans qu'aucun fluide ne soit distribué car la pompe doit amorcer. Une fois amorcée, le fluide commence à couler lorsque la poignée est activée.

Maintenance

Vérifiez régulièrement la pompe et les tubes d'aspiration pour voir s'il y a des trous ou des fuites. Des fuites dans le câble d'aspiration ou dans le logement de la pompe entraîneront un pompage inefficace et une perte d'aspiration.

GARANTIE LIMITÉE

GARANTIE DAYTON LIMITÉE À 1 AN. POMPES À TAMBOUR ROTATOIRE DAYTON, DON'T LES MODÈLES SONT DÉCRITS DANS CE MANUEL, SONT GARANTIES PAR DAYTON ELECTRIC MFG. CO. (DAYTON) AUPRÈS DE L'UTILISATEUR ORIGINAL POUR TOUT DÉFAUT DE RÉALISATION OU MATÉRIEL SURVENANT DANS LES CONDITIONS NORMALES D'UTILISATION DANS L'ANNÉE SUIVANT LA DATE D'ACHAT. TOUT ÉLÉMENT RECONNU DÉFECTUEUX TANT AU NIVEAU DU MATÉRIEL QUE DE LA CONCEPTION ET RENVOYÉ À UN SERVICE APRÈS-VENTE AGRÉÉ PAR DAYTON, LES COÛTS DE TRANSPORTS ÉTANT PRÉPAYÉS, SERA, ET NE SERA QUE, RÉPARÉ OU REMPLACÉ, SELON LE CHOIX DE DAYTON. POUR TOUT RENSEIGNEMENT CONCERNANT LES PROCÉDURES DE RÉCLAMATION LIÉES À LA PRÉSENTE GARANTIE, SE REPORTER AUX « DISPOSITIONS PREMIÈRES » CI-DESSOUS. CETTE GARANTIE À DURÉE LIMITÉE DONNE À L'ACQUÉREUR DES DROITS JURIDIQUES SPÉCIFIQUES QUI PEUVENT VARIER SELON LES JURIDICTIONS.

LIMITATION DE RESPONSABILITÉ. DANS LES LIMITES D'APPLICATION DE LA JURIDICTION LOCALE, DAYTON DÉCLINE TOUTE RESPONSABILITÉ QUANT À D'ÉVENTUELS DOMMAGES. QUEL QUE SOIT LES CIRCONSTANCES, LA RESPONSABILITÉ DE DAYTON EST LIMITÉE À, ET N'EXCÉDERA PAS, LE PRIX D'ACHAT PAYÉ.

DÉNI DE GARANTIE. UN EFFORT DILIGENT A ÉTÉ FAIT DANS CETTE NOTICE POUR FOURNIR DES INFORMATIONS ET ILLUSTRATIONS PRÉCISES SUR LES PRODUITS; CEPENDANT, DE TELLES INFORMATIONS ET ILLUSTRATIONS N'ONT QU'UN BUT D'IDENTIFICATION ET N'EXPRIMENT NI N'IMPLIQUENT UNE GARANTIE QUE LES PRODUITS SONT COMMERCIALISABLES, CONVENABLES POUR UN BUT PARTICULIER, OU QUE LES PRODUITS SE CONFORMERONT NÉCESSAIREMENT AUX ILLUSTRATIONS OU AUX DESCRIPTIONS. EXCEPTION FAITE DE CE QUI SUIT, AUCUNE GARANTIE OU AFFIRMATION DE FAIT, EXPRIMÉ OU IMPLIQUÉ, AUTRE QUE CELLES EXPOSÉES DANS "LA GARANTIE LIMITÉE" CI-DESSUS NE SONT FAITES NI AUTORISÉES PAR DAYTON.

Conseil Technique et Recommandations, Déni. Malgré n'importe quelle pratique antérieure ou transactions ou coutume commerciale, les ventes n'incluront pas de conseil technique ou la conception de système ou l'aide. Dayton réfute toute obligation ou responsabilité liée à n'importe quelles recommandations non autorisées, avis ou conseil quant au choix, l'installation ou l'utilisation des produits.

Autorisation du Produit. De nombreuses juridictions ont des codes et règlements régissant les ventes, la construction, l'installation, et/ou l'utilisation de produits pour certains buts, qui peuvent varier de ceux des régions voisines. Bien que tout soit fait pour assurer que les produits Dayton observent de tels codes, Dayton ne peut garantir l'entière conformité ni être tenue responsable de la façon dont le produit est installé ou utilisé. Avant l'achat et l'utilisation d'un produit, passez donc en revue les conditions d'utilisation du produit ainsi que tous les codes et règlements nationaux et locaux en vigueur et assurez-vous que le produit, l'installation et l'utilisation les respecteront. Certains aspects des dénis de responsabilité ne sont pas applicables aux produits grand public; par exemple, (a) quelques juridictions ne permettent pas l'exclusion ou la limitation des dommages et intérêts fortuits ou consécutifs à l'usage, donc la susdite limitation ou l'exclusion peuvent ne pas s'appliquer à vous; (b) par ailleurs, quelques juridictions ne permettent pas de limitation sur la durée d'une garantie implicite, par conséquent la susdite limitation peut ne pas s'appliquer à vous; enfin (c) conformément à la loi, pendant la période de cette Garantie Limitée, n'importe quelles garanties implicite de valeur commerciale implicite ou l'adéquation à un usage particulier applicable aux produits grand public achetés par des consommateurs, peuvent ne pas être exclues ou autrement déniées.

Disposition Première. Un effort appréciable de confiance sera fait en ce qui concerne la réparation rapide ou tout autre ajustement relatif à n'importe quel produit qui s'avèrerait être défectueux dans le cadre de la garantie limitée. Pour tout produit à priori défectueux dans le cadre de la garantie limitée, écrivez tout d'abord ou appelez le négociant chez qui le produit a été acheté. Celui-ci donnera des directives supplémentaires. Si cela ne suffisait pas à résoudre le problème de façon satisfaisante, écrivez à Dayton à l'adresse ci-dessous, en donnant le nom et l'adresse du négociant, la date et le numéro de la facture du négociant, en décrivant la nature du défaut. Le titre et le risque de la perte passent de l'acheteur à la livraison au transporteur. Si le produit a été endommagé durant le transit, déposez une requête auprès du transporteur.

Fabriqué pour Dayton Electric Mfg. Co., 100 Grainger Parkway, Lake Forest, Illinois 60045-5201 États-Unis

Commandez les pièces détachées en appelant gratuitement 1-800-Grainger

24 heures par jour – 365 jours par an

S'il vous plaît fournir l'information suivante :

- Numéro de modèle
- Numéro de série (s'il y en a un)
- Description de la pièce et son numéro
comme montré sur la liste de pièces

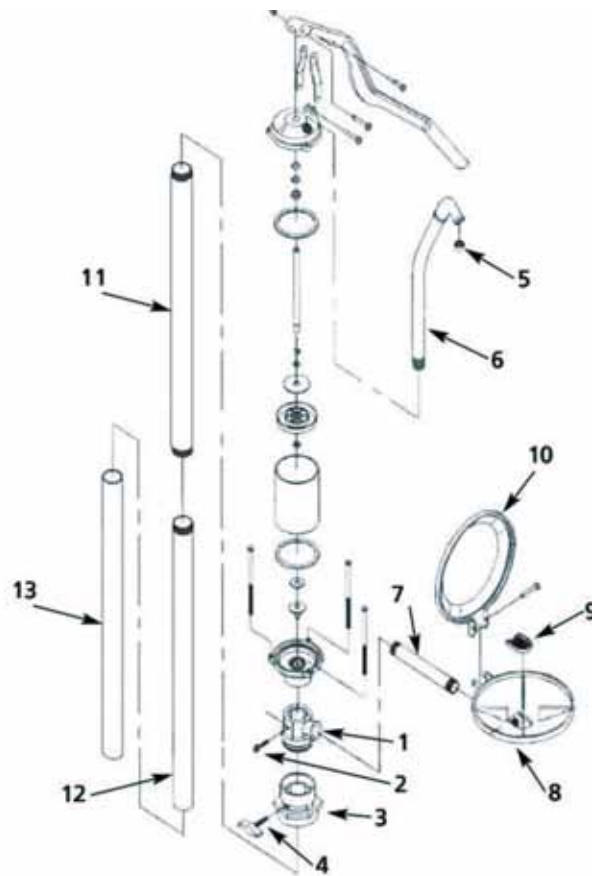


Figure 2 – Illustration de pièces détachées pour pompe

Liste des Pièces Détachées pour la Pompe à Seau à Levier

Numéro de Référence	Description	Matériau	Numéro de Pièce	Quantité
	Kit de Connecteur		PP4HA26BHKG	
1	Connecteur	Aluminium	*	1
2	Vis Moletée	Acier	*	1
	Kit d'Adaptateur de Bonde		PP4HA26BAKG	
3	Adaptateur de Bonde	Aluminium	*	1
4	Vis d'Adaptateur	Acier	*	1
	Kit d'Embout de Décharge		PP4HA26BDSKG	
5	Embout de Décharge	Acier	*	1
6	Bouchon d'Embout	POM	*	1
	Kit de Plateau d'Egouttage		PP4HA26BDTKG	
7	Plateau d'Egouttage	Acier	*	1
8	Plateau	Aluminium	*	1
9	Filtre	POM	*	1
10	Dessus du Plateau	ABS	*	1
	Kit du Tube d'Aspiration		PP4HA26BSTKG	
11	Tube d'Aspiration	Acier	*	1
12	Tube d'Aspiration	Acier	*	1
13	Tuyau d'Echappement	Acier	*	1

(*) Disponible seulement sous forme de kit.