

# For Repair Parts, call 1-800-323-0620

24 hours a day – 365 days a year

Please provide following information:

- Model number
- Serial number (if any)
- Part description and number as shown in parts list

Address parts correspondence to:

Grainger Parts  
P.O. Box 3074  
1657 Shermer Road  
Northbrook, IL 60065-3074 U.S.A.

ENGLISH

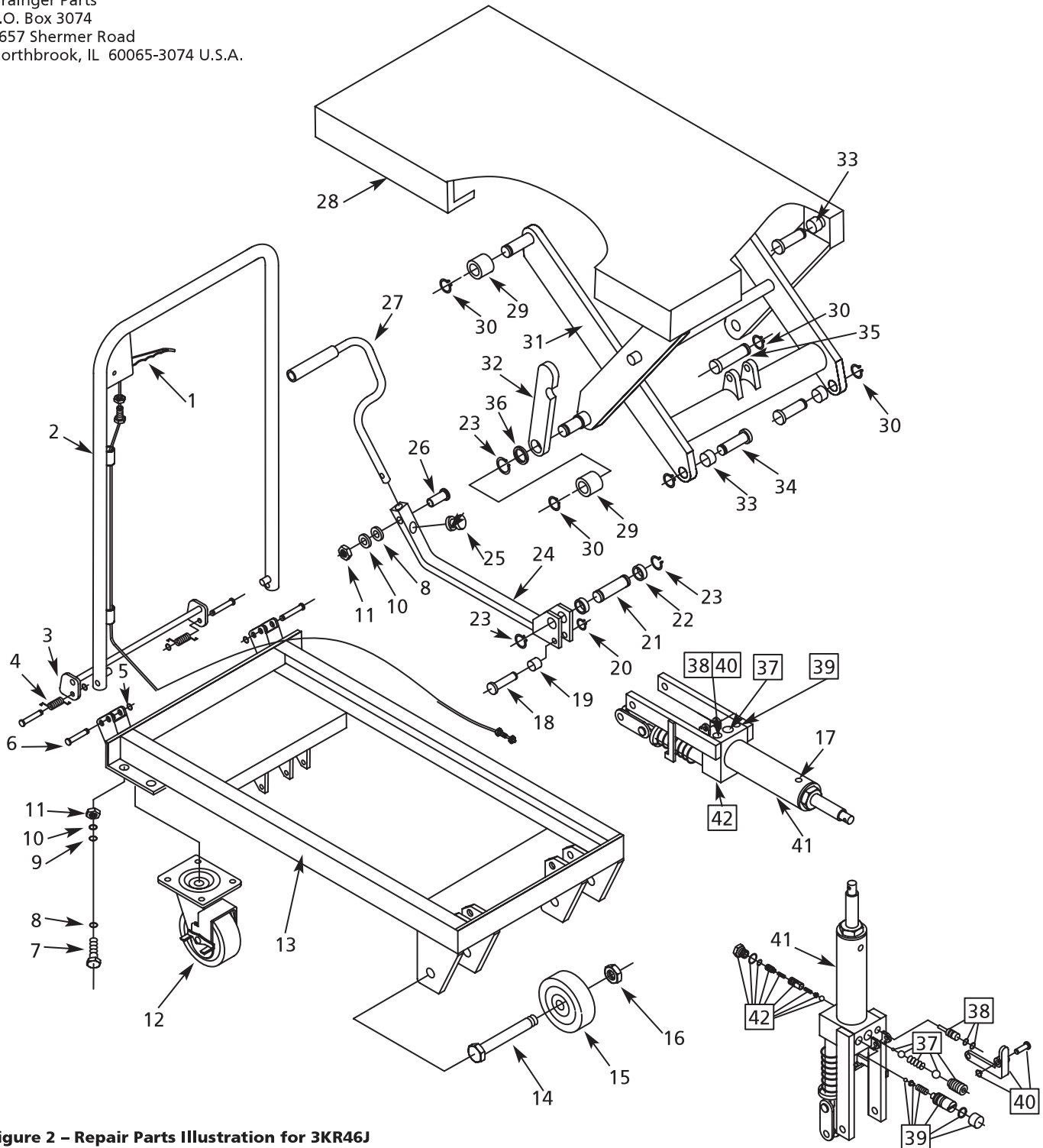


Figure 2 – Repair Parts Illustration for 3KR46J

# Model 3KR46J

## Repair Parts List for 3KR46J

Ref. No.	Description	Part No.	Qty.	Ref. No.	Description	Part No.	Qty.
1	Lowering Lever and Cable Assembly	46-1A	1	22	Washer	46-22A	2
2	Handle bar	46-2A	1	23	Retaining ring D-16	*	4
3	Handle return	46-3	1	24	Pump arm	46-24	1
4	Spring	46-4	2	25	Bumper	46-25	1
5	Retaining ring	46-5	2	26	Bolt M-8X32	*	1
6	Pin	46-6	2	27	Foot pedal	46-27	1
7	Bolt M-8X22	*	8	28	Table	46-28	1
8	Washer D-8	*	9	29	Roller	46-29	4
9	Washer D-8	*	8	30	Retaining ring D-12	*	9
10	Lock washer D-8	*	9	31	Arm assembly	46-31	1
11	Nut M-8	*	9	32	Stop arm	46-32A	2
12	Caster wheel	46-12	2	33	Bushing	46-33	4
13	Frame	46-13	1	34	Pin	46-34	4
14	Shaft M-8X60	*	2	35	Pin	46-35	1
15	Wheel	46-15	2	36	Bushing	46-36	2
16	Retaining ring M-8	*	2	37	Flow valve kit	46-37A	1
17	Fill Plug	46-17	1	38	Release valve kit	46-38A	1
18	Pin	46-18	1	39	Pressure relief valve kit	46-39	1
19	Roller	46-19	1	40	Release lever kit	46-40A	1
20	Retaining ring D-10	*	1	41	Pump/cylinder unit	46-41A	1
21	Pin	46-21	1	42	Speed control valve kit	46-42	1

(\* ) Standard hardware item available locally.

# For Repair Parts, call 1-800-323-0620

24 hours a day – 365 days a year

Please provide following information:

- Model number
- Serial number (if any)
- Part description and number as shown in parts list

Address parts correspondence to:

Grainger Parts  
P.O. Box 3074  
1657 Shermer Road  
Northbrook, IL 60065-3074 U.S.A.

ENGLISH

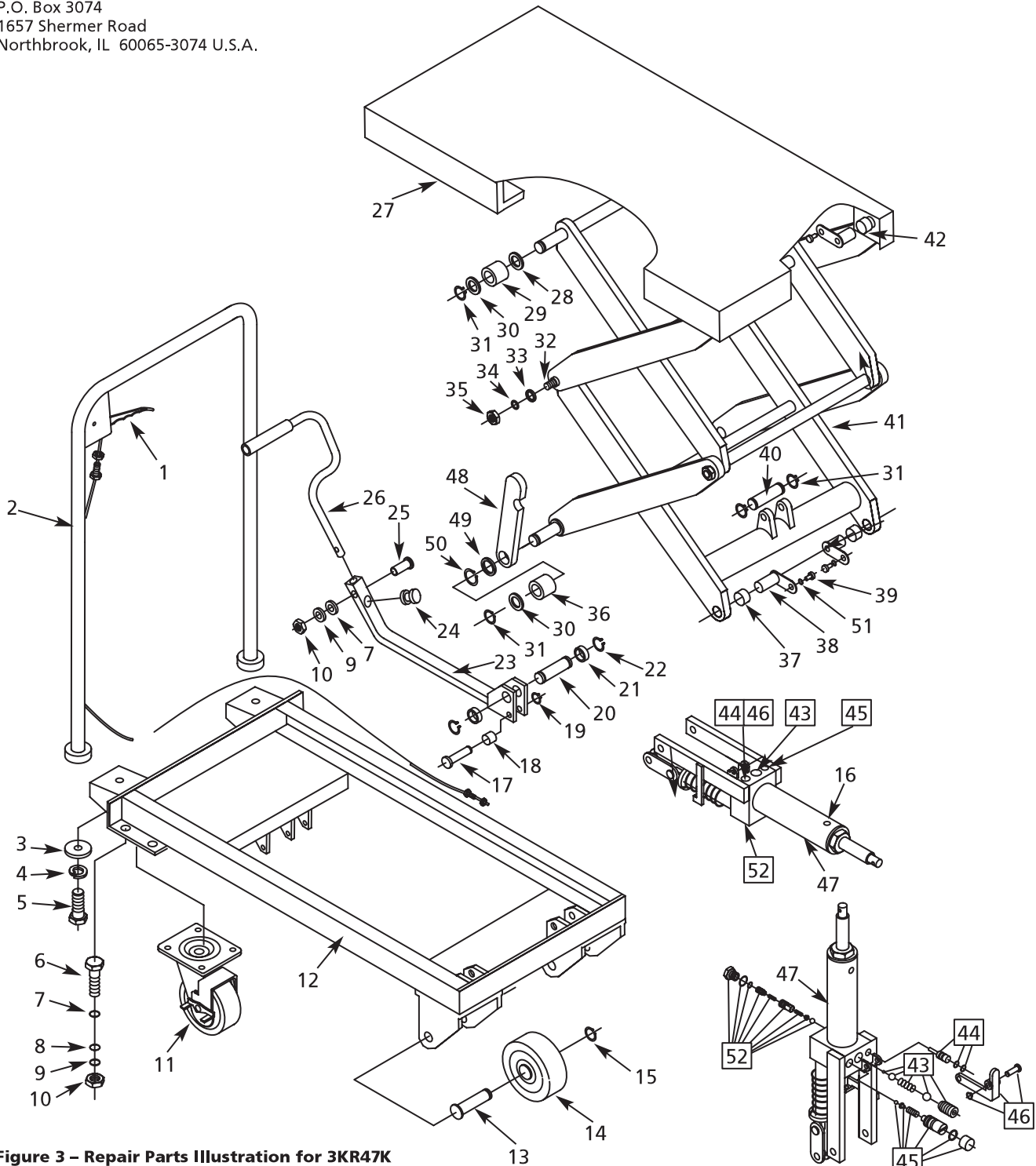


Figure 3 – Repair Parts Illustration for 3KR47K

# Model 3KR47K

## Repair Parts List for 3KR47K

Ref. No.	Description	Part No.	Qty.	Ref. No.	Description	Part No.	Qty.
1	Lowering Lever and Cable Assembly	47-1A	1	27	Table	47-27	1
2	Handle bar	47-2A	1	28	Washer	47-28	2
3	Washer	47-3	2	29	Roller	47-29	2
4	Washer D-12	*	2	30	Washer	47-30	4
5	Bolt M-12X30	*	2	31	Retaining ring D-16	*	6
6	Bolt M-8X22	*	8	32	Shaft	47-32	2
7	Washer D-8	*	9	33	Washer D-16	*	4
8	Washer D-8	*	8	34	Washer D-12	*	4
9	Washer D-8	*	9	35	Nut M-12	*	4
10	Nut	47-10	9	36	Roller	47-36	2
11	Caster Wheel	47-11	2	37	Bushing	47-37	2
12	Frame	47-12K	1	38	L-pin	47-38	4
13	Shaft	47-13	2	39	Screw M-6X12	*	4
14	Wheel	47-14	2	40	Pin	47-40	1
15	Retaining ring D-12	*	2	41	Arm assembly	47-41	1
16	Fill Plug	47-16	1	42	Bushing	47-42	2
17	Pin	47-17	1	43	Flow valve kit	47-43A	1
18	Roller	47-18	1	44	Release valve kit	47-44K	1
19	Retaining ring D-10	*	1	45	Pressure relief valve kit	47-45	1
20	Pin	47-20K	1	46	Release lever kit	47-46A	1
21	Washer	47-21K	2	47	Pump/cylinder unit	47-47K	1
22	Retaining ring D-20	*	2	48	Stop arm	47-48	2
23	Pump arm	47-23	1	49	Washer	47-49	2
24	Bumper	47-24	1	50	Retaining ring D-24	*	2
25	Bolt M-8X32	*	1	51	Washer D-6	*	4
26	Foot pedal	47-26	1	52	Speed control valve kit	47-52K	1

(\*) Standard hardware item available locally.

# For Repair Parts, call 1-800-323-0620

24 hours a day – 365 days a year

Please provide following information:

- Model number
- Serial number (if any)
- Part description and number as shown in parts list

Address parts correspondence to:

Grainger Parts  
P.O. Box 3074  
1657 Shermer Road  
Northbrook, IL 60065-3074 U.S.A.

ENGLISH

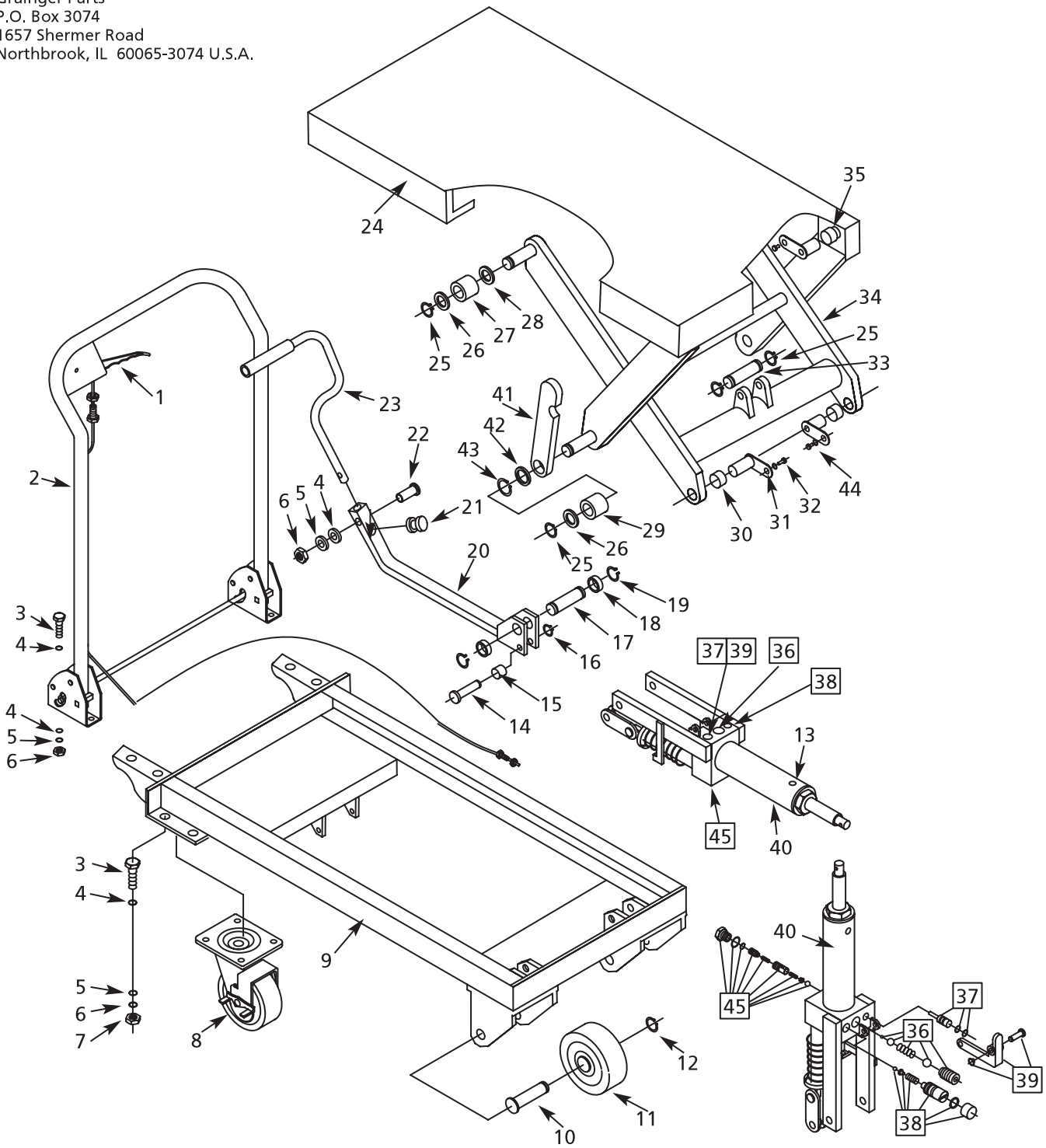


Figure 4 – Repair Parts Illustration for 6W803J

# Model 6W803J

## Repair Parts List for 6W803J

Ref. No.	Description	Part No.	Qty.	Ref. No.	Description	Part No.	Qty.
1	Lowering Lever and Cable Assembly	803-1A	1	24	Table	803-24	1
2	Handle bar assembly	803-2A	1	25	Retaining ring D-16	*	6
3	Bolt M-8X22	*	12	26	Washer D-16	*	4
4	Washer D-8	*	17	27	Roller	803-27	2
5	Washer D-8	*	13	28	Washer	803-28	2
6	Nut M-8	*	13	29	Roller	803-29	2
7	Washer D-8	*	8	30	Bushing	803-30	2
8	Caster wheel	803-8	2	31	L-pin	803-31	4
9	Frame	803-9	1	32	Screw M-6X12	*	4
10	Shaft	803-10	2	33	Pin	803-33	1
11	Wheel	803-11	2	34	Arm assembly	803-34	1
12	Retaining ring D-12	*	2	35	Bushing	803-35	2
13	Fill Plug	803-13	1	36	Flow valve kit	803-36A	1
14	Pin	803-14	1	37	Release valve kit	803-37A	1
15	Roller	803-15	1	38	Pressure relief valve kit	803-38	1
16	Retaining ring D-10	*	1	39	Release lever kit	803-39A	1
17	Pin	803-17	1	40	Pump/cylinder unit	803-40A	1
18	Washer	803-18A	2	41	Stop arm	803-41	2
19	Retaining ring D-20	*	2	42	Washer	803-42	2
20	Pump arm	803-20	1	43	Retaining ring D-24	*	2
21	Bumper	803-21	1	44	Washer D-6	*	4
22	Bolt M-8X32	*	1	45	Speed control valve kit	803-45	1
23	Foot pedal	803-23	1				

(\* Standard hardware item available locally.

# For Repair Parts, call 1-800-323-0620

24 hours a day – 365 days a year

Please provide following information:

- Model number
- Serial number (if any)
- Part description and number as shown in parts list

Address parts correspondence to:

Grainger Parts  
P.O. Box 3074  
1657 Shermer Road  
Northbrook, IL 60065-3074 U.S.A.

E  
N  
G  
L  
I  
S  
H

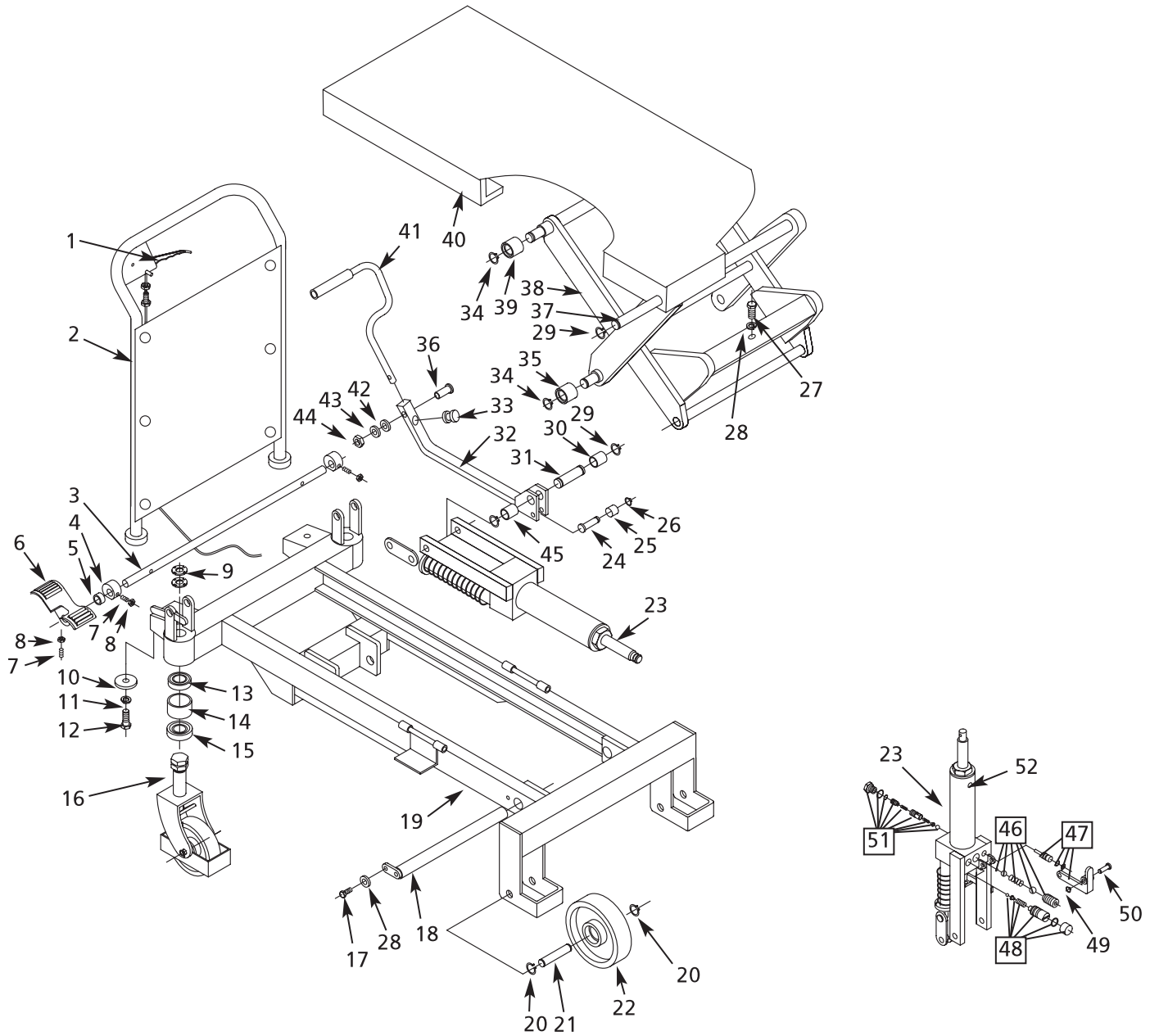


Figure 5 – Repair Parts Illustration for 6W804J

# Model 6W804J

## Repair Parts List for 6W804J

Ref. No.	Description	Part No.	Qty.	Ref. No.	Description	Part No.	Qty.
1	Lowering Lever and Cable Assembly	804J-1	1	27	Screw	804J-27	1
2	Handle Bar	804J-2	1	28	Washer	804J-28	2
3	Rod	804J-3	1	29	Retaining Ring	804J-29	4
4	Cam	804J-4	2	30	Washer	804J-30	1
5	Washer	804J-5	1	31	Clevis pin	804J-31	1
6	Brake Pedal	804J-6	1	32	Pedal Arm	804J-32	1
7	Screw	804J-7	3	33	Bumper Pad	804J-33	1
8	Nut	804J-8	3	34	Retaining Ring	804J-34	4
9	Nut	804J-9	4	35	Roller	804J-35	2
10	Washer	804J-10	2	36	Bolt	804J-36	1
11	Washer	804J-11	2	37	Shaft	804J-37	1
12	Screw	804J-12	2	38	Scissor Arm	804J-38	1
13	Bearing	804J-13	2	39	Roller	804J-39	2
14	Washer	804J-14	2	40	Table	804J-40	1
15	Bearing	804J-15	2	41	Foot Pedal	804J-41	1
16	Swivel Caster	804J-16	2	42	Washer	804J-42	1
17	Screw	804J-17	1	43	Washer	804J-43	1
18	Shaft	804J-18	1	44	Nut	804J-44	1
19	Frame	804J-19	1	45	Washer	804J-45	1
20	Retaining Ring	804J-20	4	46	Flow Valve Kit	804J-46	1
21	Front Wheel Axle	804J-21	4	47	Release Valve Kit	804J-47	1
22	Front Wheel	804J-22	2	48	Pressure Relief Valve Kit	804J-48	1
23	Pump/Cylinder Unit	804J-23	1	49	Retaining Ring	804J-49	1
24	Bolt	804J-24	1	50	Shaft	804J-50	1
25	Washer	804J-25	1	51	Speed Control Valve Kit	804J-51	1
26	Retaining Ring	804J-26	1	52	Fill Plug	804J-52	1

(\*) Standard hardware item available locally.



# For Repair Parts, call 1-800-323-0620

24 hours a day – 365 days a year

Please provide following information:

- Model number
- Serial number (if any)
- Part description and number as shown in parts list

Address parts correspondence to:

Grainger Parts  
P.O. Box 3074  
1657 Shermer Road  
Northbrook, IL 60065-3074 U.S.A.

ENGLISH

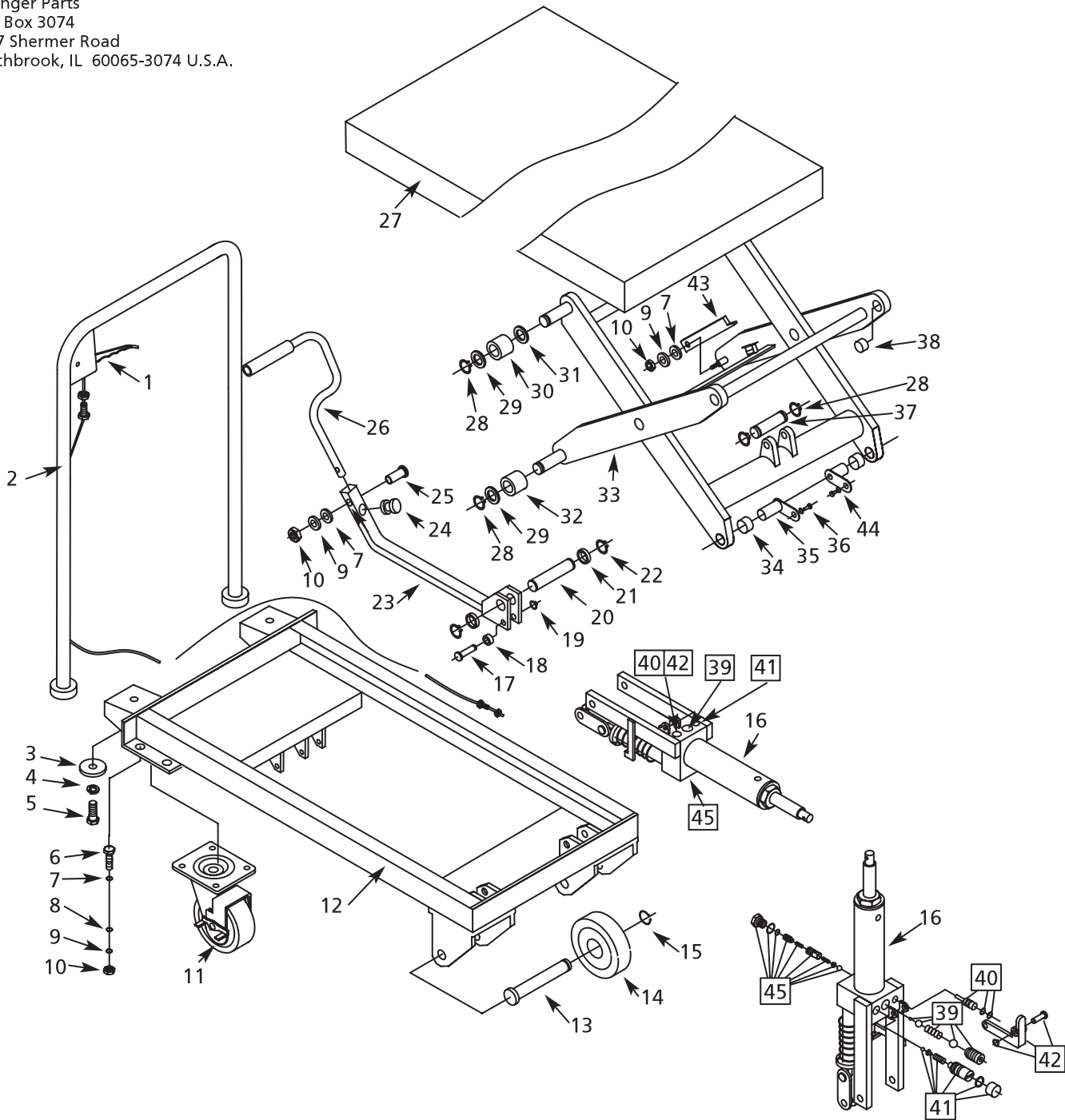


Figure 6 – Repair Parts Illustration for 4ZC18J

# Model 4ZC18J

## Repair Parts List for 4ZC18J

Ref. No.	Description	Part No.	Qty.	Ref. No.	Description	Part No.	Qty.
1	Lowering Lever and Cable Assembly	18-1A	1	24	Bumper	18-24	1
2	Handle bar	18-2A	1	25	Bolt M-8X32	*	1
3	Washer	18-3	2	26	Foot pedal	18-26	1
4	Washer D-12	*	2	27	Table	18-27	1
5	Bolt M-12X30	*	2	28	Retaining ring D-16	*	6
6	Bolt M-8X22	*	8	29	Washer D-16	*	4
7	Washer D-8	*	11	30	Roller	18-30	2
8	Washer D-8	*	8	31	Washer	18-31	2
9	Washer D-8	*	11	32	Roller	18-32	2
10	Nut M-8	*	11	33	Arm assembly	18-33	1
11	Caster wheel	18-11	2	34	Bushing	18-34	2
12	Frame	18-12	1	35	L-pin	18-35	4
13	Shaft	18-13	2	36	Screw M-6X12	*	4
14	Wheel	18-14	2	37	Pin	18-37	1
15	Retaining ring D-12	*	2	38	Bushing	18-38	2
16	Pump/cylinder unit	18-16A	1	39	Flow valve kit	18-39A	1
17	Pin	18-17	1	40	Release valve kit	18-40A	1
18	Roller	18-18	1	41	Pressure relief valve kit	18-41	1
19	Retaining ring D-10	*	1	42	Release lever kit	18-42A	1
20	Pin	18-20	1	43	Stop arm	18-43	2
21	Washer	18-21A	2	44	Washer D-6	*	4
22	Retaining ring D-20	*	2	45	Speed control valve kit	18-45	1
23	Pump arm	18-23	1				

(\* Standard hardware item available locally.)

# For Repair Parts, call 1-800-323-0620

24 hours a day – 365 days a year

Please provide following information:

- Model number
- Serial number (if any)
- Part description and number as shown in parts list

Address parts correspondence to:

Grainger Parts  
P.O. Box 3074  
1657 Shermer Road  
Northbrook, IL 60065-3074 U.S.A.

ENGLISH

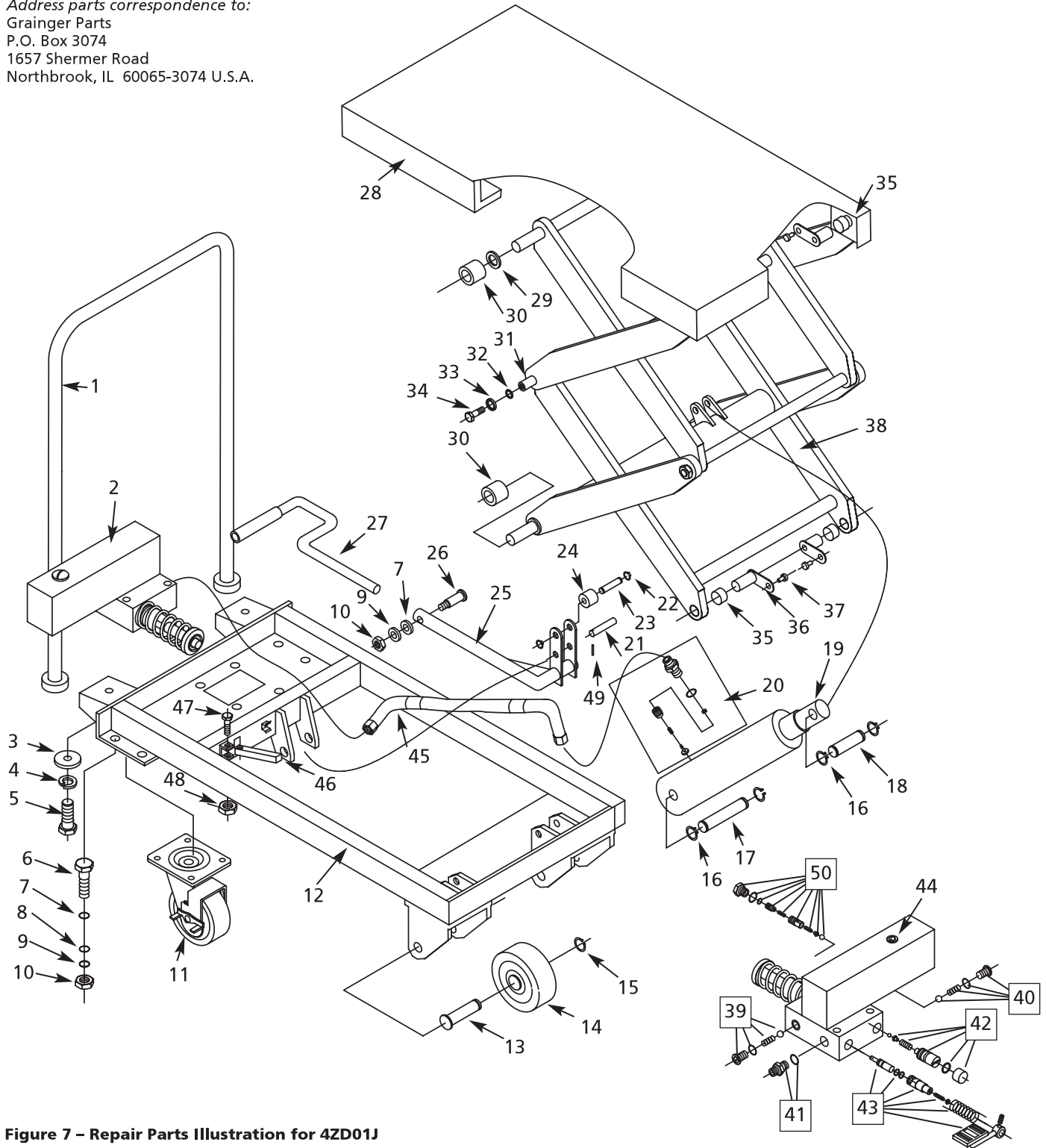


Figure 7 – Repair Parts Illustration for 4ZD01J

# Model 4ZD01J

## Repair Parts List for 4ZD01J

Ref. No.	Description	Part No.	Qty.	Ref. No.	Description	Part No.	Qty.
1	Handle bar	401-1	1	26	Screw M-8X32	*	1
2	Pump unit	401-2B	1	27	Foot pedal	401-28	1
3	Washer	401-3	2	28	Table	401-29	1
4	Washer D-12	*	2	29	Washer	401-30	2
5	Bolt M-12X30	*	2	30	Roller	401-31	4
6	Bolt M-8X22	*	8	31	Shaft	401-32	2
7	Washer D-8	*	9	32	Washer D-12	*	4
8	Washer D-8	*	8	33	Washer D-12	*	4
9	Washer D-8	*	9	34	Screw M-12X25	*	4
10	Nut M-8	*	9	35	Bushing	401-38	2
11	Caster wheel	401-11	2	36	L-pin	401-39	4
12	Frame	401-12	1	37	Screw M-6X12	*	4
13	Shaft	401-13	2	38	Arm	401-41	1
14	Wheel	401-14	2	39	Check valve kit	401-43	1
15	Retaining ring D-12	*	2	40	Check valve kit	401-44	1
16	Retaining ring D-22	*	4	41	Outlet check valve kit	401-45B	1
17	Pin	401-17	1	42	Pressure relief valve kit	401-46	1
18	Pin	401-18	1	43	Release valve assembly	401-47	1
19	Cylinder	401-19B	1	44	Fill Plug	401-48A	1
20	Cylinder valve kit	401-20B	1	45	Oil hose	401-49A	1
21	Pin	401-21	1	46	Stop arm	401-50	1
22	Retaining ring D-12	*	2	47	Bolt M-10X50	*	1
23	Pin	401-24	1	48	Nut M-10	*	1
24	Roller	401-25	1	49	Roll pin 5X35	*	1
25	Pump arm	401-26	1	50	Flow Valve Kit	401-51	1

(\* Standard hardware item available locally.)