

Dayton®

AC Drive

Hybrid Drive™ – A Digital Drive with Analog Interface

Rugged Aluminum NEMA 1 / IP 50

Primary Features

Horsepower 1/8 to 1 HP, Jumper Selectable

Input 115/230 VAC - 1ph

Output 230 VAC - 3ph

Starting Torque 200%

Front Panel Power On/Off Switch

Benefits

Saves Time

Easy to Install and Simple to Operate does not require programming or commissioning

Up and running in less than 10 minutes.

Motors Last Longer

Proprietary CL Software

Provides overload protection, prevents motor burnout and eliminates nuisance tripping.

UL approved as electronic overload protector for motors.

Energy Saving

Uses only the power the application requires

Replacing constant speed with variable speed will significantly reduce energy costs.



Call or visit your local branch or go to grainger.com/dayton for complete product line information.

Additional Features

Sensorless Flux Vector Control

Flux Vector Compensation with Static Auto-Tune provides excellent speed regulation with high torque loads throughout the entire speed range. Auto energy saving at light loads. Smooth motor torque.

Electronic Inrush Current Limit (EICL™) Protection

Eliminates harmful inrush AC line current during power up.

Run/Fault Relay

Can be used to turn equipment on or off, to signal a warning if the drive is put into "Stop" mode, or to signal if a fault has occurred.

On/Off AC Line Switch

Disconnects the AC line.

Ride-Through

Provides smooth recovery to the previous set speed during a momentary power loss.

Holding Torque at Zero Speed

Resists motor shaft rotation when the drive is in "Stop" mode.

Regeneration Protection

Eliminates tripping due to high bus voltage caused by rapid deceleration of high inertial loads.

Undervoltage and Overvoltage Protection

Shuts down the drive if the AC line input voltage goes above or below the operating range.

Short Circuit Protection

Shuts down the drive if a short circuit occurs at the motor (phase-to-phase).

Trimpot Adjustments

Min. Speed, Max. Speed, Accel, Decel, Current Limit, Slip Comp.

Jumper Selections

AC Line Input Voltage, Horsepower, Auto/Manual Start, 50Hz/60Hz Motor Frequency, 1X/2X Motor RPM, Run/Fault Output Relay.

Drive Option

Forward-Stop-Reverse Switch

Provides motor reversing and stop functions.



Applications

- Actuators • Air Cleaners • Amusement Rides
- Ball Pitching Machines • Blowers • Boat Lifts
- Bowling Alley Lane Cleaners • CNC • Conveyors
- Door and Gate Openers • Drilling • Duct Cleaners
- Dumbwaiters • Elevators and Hoists
- Exercise Equipment • Fabric Processing • Fans
- Feeders • Film Processing • Floor Cleaning
- Food Processing • Garment Cutting
- Grinding and Polishing • Hoppers • Horse Walkers
- HVAC • Indexers • Irrigation • Laminating
- Lift Station Pumps • Machine Tools
- Medical • Milling • Mixers • Oven Conveyors
- Packaging • Paint Blenders, Shakers, and Sprayers
- Paper Handling • Portable Equipment Used with GFCIs
- Pottery Wheels • Printing
- Pumps • Range Hoods • Sandblasting • Saws
- Sewing • Stretch Wrap • Textile • Treadmills
- Therapeutic Vibrators • Washing Machines
- Wave Soldering • Web Processing • Wheelchair Lifts
- Whole House Vacuums and Attic Fans
- Wire Feeders • Wood and Metal Lathes and Cutters
- Winders and Unwinders

Call or visit your local branch or go to grainger.com/dayton for complete product line information.

Ratings

115/230 VAC 1-Phase Input • 230 VAC 3-Phase Output

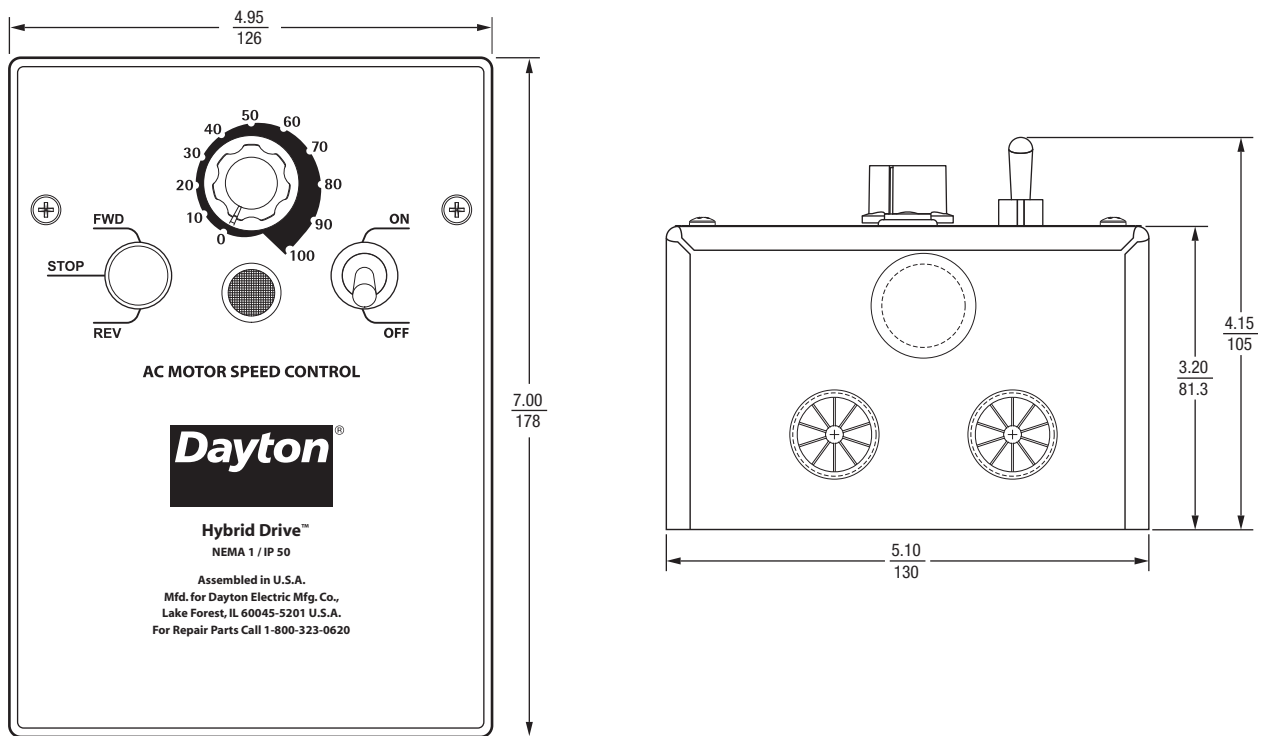
Part No.	Ratings		Net Weight	
	HP, (kW)	Amps	Lbs.	kg
13E661	1, (0.75)	3.6	2.42	1.09

Specifications

Maximum Load (% of Current Overload for 2 Minutes)	150
Carrier, Switching Frequency (kHz)	16, 8
Output Frequency Resolution (Hz)	0.06
Minimum Output Frequency to Motor (Hz)	0.3
Acceleration Time (Seconds)	0.3 – 20
Deceleration Time (Seconds)	0.3 – 20
Speed Range (Ratio)	60:1
Speed Regulation (30:1 Speed Range, 0 – Full Load) (% Base Speed)	2.5
Stalled Motor Trip Time (Seconds)	6
Braking	Regenerative*
Operating Temperature Range (°C / °F)	0 – 40 / 32 – 104
Storage Temperature (°C / °F)	-25 – +85 / -13 – +185

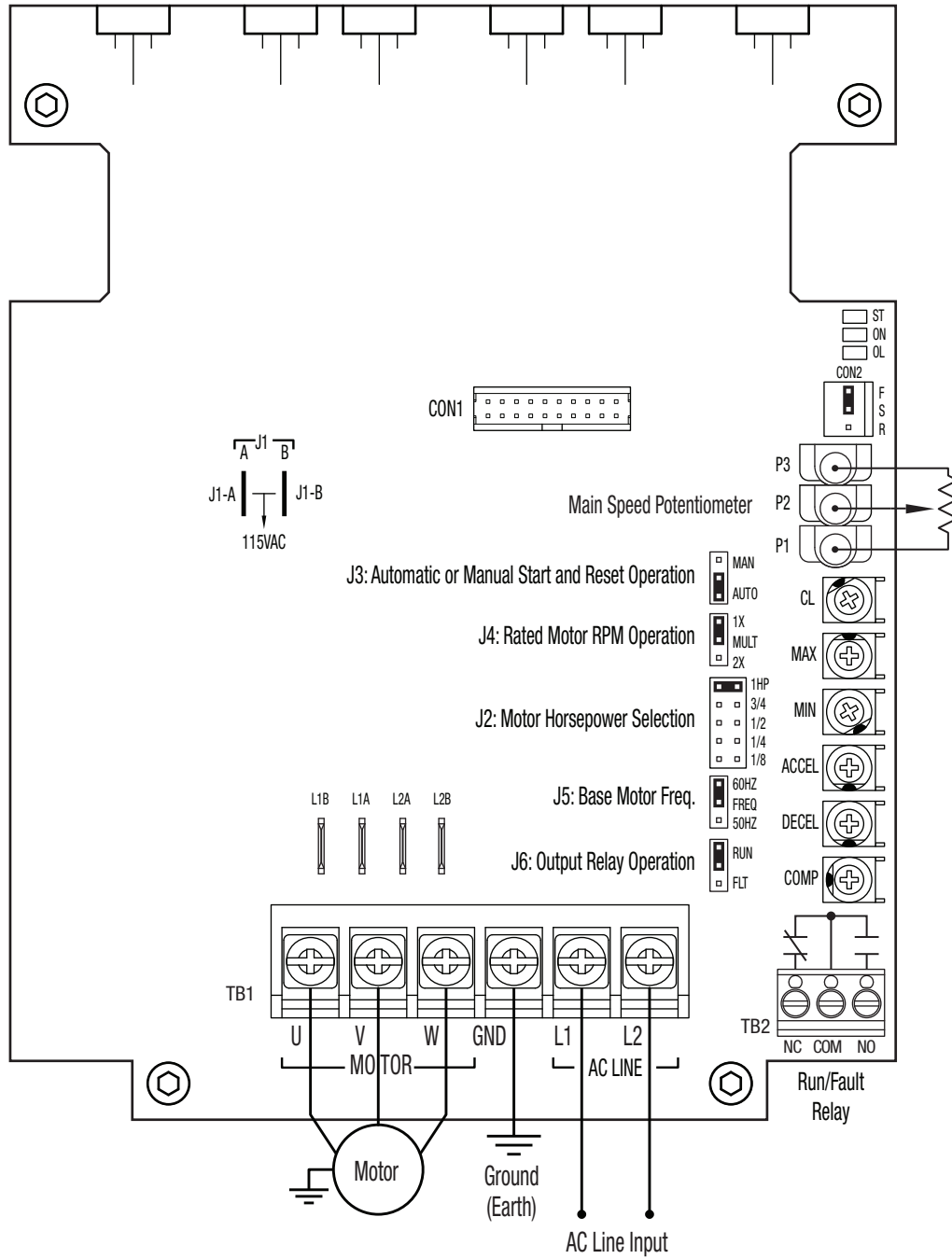
*DC Injection Braking – requires factory programming.

Dimensions – (Inches/mm)



Call or visit your local branch or go to grainger.com/dayton for complete product line information.

Control Layout



Find it at Grainger.

Call or visit your local branch or go to grainger.com/dayton for complete product line information.

