

PLEASE READ AND SAVE THESE INSTRUCTIONS.

Read carefully before attempting to assemble, install, operate or maintain the product described. Protect yourself and others by observing all safety information. Failure to comply with instructions could result in personal injury and/or property damage! Retain instructions for future reference.

Dayton® Heavy Duty Mobile Filtered Fan

Description

The Heavy Duty Mobile Filtered Fan is designed to remove dust particles from circulated air. Features include:

- Heavy duty epoxy coated steel
- Galvanized steel prop
- 2-Speed non overloading PSC motor
- Sealed ball bearings
- 2 swivel and 2 fixed casters for easy mobility
- 115 volt, ½ Hp, 1 PH
- UL / CUL listed
- Easy to replace filters

Unpacking

After unpacking unit, inspect carefully for any damage that may have occurred during transit. Shipping damage claim must be filed with carrier. Please make note of the model and serial numbers here for future reference.

Specifications

| Model | CFM | HP | Propeller Dia. | Fan RPM | Volts | Amps | Dimensions | | |
|-------|-------|----|----------------|---------|-------|------|------------|-----|-----|
| | | | | | | | A | B | C |
| 2VZH3 | 3,606 | ½ | 30" | 627 | 115 | 5.04 | 36" | 34" | 21" |
| 2VZH4 | 4,463 | ½ | 36 | 530 | 115 | 5.28 | 41.50 | 39 | 21 |
| 2VZH5 | 5,460 | ½ | 36 | 850 | 115 | 4.50 | 41.50 | 39 | 21 |
| 2VZH6 | 5,702 | ½ | 42 | 377 | 115 | 6.19 | 47.50 | 45 | 21 |

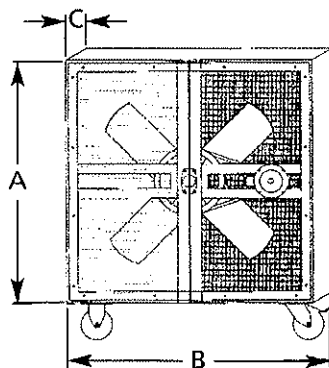


Figure 2 - Dimensions

General Safety Information

⚠ WARNING To reduce the risk of fire or electric shock do not use any solid-state speed control device from this fan.

⚠ CAUTION Disconnect fan from power supply before servicing to reduce risk of fire or electric shock.

POWER SOURCE

Insure that the power source conforms to the electrical requirements of the fan (115Volt, 60Hz current, 15 Amp. min.) Follow all local safety and electrical codes regarding power source.

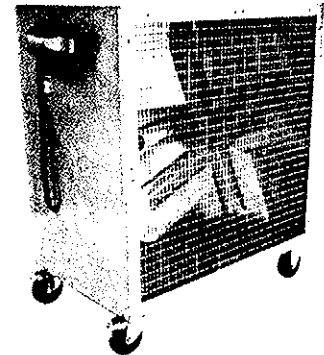


Figure 1

SAFE OPERATION

1. Do not use ground adapters.
2. Do not kink cord or let it come into contact with sharp edges, grease or chemicals.
3. Turn switch to the "off" position before connecting or disconnecting with the power source.
4. Unplug fan to move or service.
5. Do not use any solid-state speed control devices.
6. Do not use in any flammable, explosive or chemically laden environment.

Assembly

This fan is fully assembled. Just remove from carton, set up in desired location, attach to appropriate power source, and activate at the switch.

Dayton® Heavy Duty Mobile Filtered Fan

E
N
G
L
I
S
H

Maintenance

MAINTENANCE NOTES

This unit has rotating parts and safety precautions should be exercised. Very little to no maintenance should be required under conditions of normal services. Motor is supplied with prelubricated ball bearings, lubricated for life of the motor. Periodical cleaning to remove buildup of foreign material is suggested. Failure to do so may result in unwanted vibration and / or premature motor failure. Capacitor covers may eventually require replacement.

⚠ WARNING *To reduce the risk of fire, electric shock, or injury to persons, observe the following:*

1. Use this unit only in the manner intended by the manufacturer. If you have questions, contact the manufacturer.
2. Before servicing or cleaning the unit, switch off at service panel.
3. Installation work and electrical wiring must be done by qualified persons in accordance with all applicable codes and standards, including fire-related construction.
4. When cutting or drilling into wall or ceiling, do not damage electrical wiring and other hidden utilities.

INSTALLATION RECORD

Please complete for future use.

Model No.: _____

Serial No.: _____

Purchased from _____

Date Purchased _____

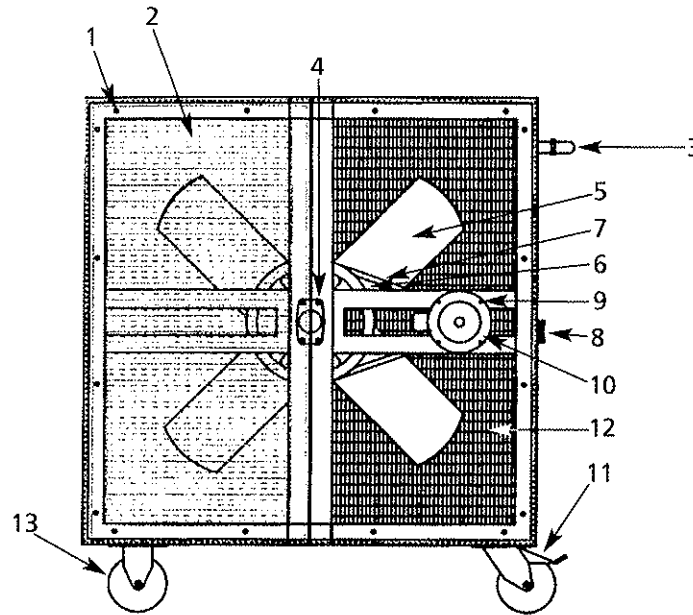
Date installed _____

For Repair Parts, call 1-800-323-0620

24 hours a day – 365 days a year

Please provide following information:

- Model number
- Serial number (if any)
- Part description and number as shown in parts list



E
N
G
L
I
S
H

Figure 3 – Repair Parts Illustration for Heavy Duty Mobile Filtered Fan

Repair Parts List for Heavy Duty Mobile Filtered Fan

| Reference Number | Description | Part Number for Models: | | | | Quantity |
|------------------|-----------------------|-------------------------|-------|-------|-------|----------|
| | | 2VZH3 | 2VZH4 | 2VZH5 | 2VZH6 | |
| 1 | Screw | 00036 | 00036 | 00036 | 00036 | 8 |
| 2 | Filter | 07290 | 07291 | 07291 | 07292 | 2 |
| 3 | Handle | 05090 | 05090 | 05090 | 05090 | 1 |
| 4 | Bearing Assembly | 06472 | 06472 | N/A | 06472 | 1 |
| 5 | Prop | 06456 | 06457 | 05244 | 06520 | 1 |
| 6 | Pulley | 80100 | 80550 | N/A | 80555 | 1 |
| 7 | Belt | 82851 | 82847 | N/A | 82827 | 1 |
| 8 | Switch | 01722 | 01722 | 01721 | 01722 | 1 |
| 9 | Motor | 78026 | 78026 | 78027 | 78026 | 1 |
| 10 | Pulley | 80688 | 80688 | N/A | 74188 | 1 |
| 11 | Swivel Locking Caster | 06468 | 06468 | 06468 | 06468 | 2 |
| 12 | Guard Assembly | 07600 | 07601 | 07601 | 07602 | 2 |
| 13 | Fixed Caster | 04916 | 04916 | 04916 | 04916 | 2 |
| Δ | Cord | 01607 | 01607 | 01607 | 01607 | 1 |

(Δ) Not shown.



Dayton® Heavy Duty Mobile Filtered Fan

E
N
G
L
I
S
H

LIMITED WARRANTY

DAYTON ONE-YEAR LIMITED WARRANTY. DAYTON® HEAVY DUTY MOBILE FILTERED FAN, MODELS COVERED IN THIS MANUAL, ARE WARRANTED BY DAYTON ELECTRIC MFG. CO. (DAYTON) TO THE ORIGINAL USER AGAINST DEFECTS IN WORKMANSHIP OR MATERIALS UNDER NORMAL USE FOR ONE YEAR AFTER DATE OF PURCHASE. ANY PART WHICH IS DETERMINED TO BE DEFECTIVE IN MATERIAL OR WORKMANSHIP AND RETURNED TO AN AUTHORIZED SERVICE LOCATION, AS DAYTON DESIGNATES, SHIPPING COSTS PREPAID, WILL BE, AS THE EXCLUSIVE REMEDY, REPAIRED OR REPLACED AT DAYTON'S OPTION. FOR LIMITED WARRANTY CLAIM PROCEDURES, SEE "PROMPT DISPOSITION" BELOW. THIS LIMITED WARRANTY GIVES PURCHASERS SPECIFIC LEGAL RIGHTS WHICH VARY FROM JURISDICTION TO JURISDICTION.

LIMITATION OF LIABILITY. TO THE EXTENT ALLOWABLE UNDER APPLICABLE LAW, DAYTON'S LIABILITY FOR CONSEQUENTIAL AND INCIDENTAL DAMAGES IS EXPRESSLY DISCLAIMED. DAYTON'S LIABILITY IN ALL EVENTS IS LIMITED TO AND SHALL NOT EXCEED THE PURCHASE PRICE PAID.

WARRANTY DISCLAIMER. A DILIGENT EFFORT HAS BEEN MADE TO PROVIDE PRODUCT INFORMATION AND ILLUSTRATE THE PRODUCTS IN THIS LITERATURE ACCURATELY; HOWEVER, SUCH INFORMATION AND ILLUSTRATIONS ARE FOR THE SOLE PURPOSE OF IDENTIFICATION, AND DO NOT EXPRESS OR IMPLY A WARRANTY THAT THE PRODUCTS ARE MERCHANTABILITY, OR FIT FOR A PARTICULAR PURPOSE, OR THAT THE PRODUCTS WILL NECESSARILY CONFORM TO THE ILLUSTRATIONS OR DESCRIPTIONS. EXCEPT AS PROVIDED BELOW, NO WARRANTY OR AFFIRMATION OF FACT, EXPRESSED OR IMPLIED, OTHER THAN AS STATED IN THE "LIMITED WARRANTY" ABOVE IS MADE OR AUTHORIZED BY DAYTON.

Technical Advice and Recommendations, Disclaimer. Notwithstanding any past practice or dealings or trade custom, sales shall not include the furnishing of technical advice or assistance or system design. Dayton assumes no obligations or liability on account of any unauthorized recommendations, opinions or advice as to the choice, installation or use of products.

Product Suitability. Many jurisdictions have codes and regulations governing sales, construction, installation, and/or use of products for certain purposes, which may vary from those in neighboring areas. While attempts are made to assure that Dayton products comply with such codes, Dayton cannot guarantee compliance, and cannot be responsible for how the product is installed or used. Before purchase and use of a product, review the product applications, and all applicable national and local codes and regulations, and be sure that the product, installation, and use will comply with them.

Certain aspects of disclaimers are not applicable to consumer products; e.g., (a) some jurisdictions do not allow the exclusion or limitation of incidental or consequential damages, so the above limitation or exclusion may not apply to you; (b) also, some jurisdictions do not allow a limitation on how long an implied warranty lasts, consequently the above limitation may not apply to you; and (c) by law, during the period of this Limited Warranty, any implied warranties of implied merchantability or fitness for a particular purpose applicable to consumer products purchased by consumers, may not be excluded or otherwise disclaimed.

Prompt Disposition. A good faith effort will be made for prompt correction or other adjustment with respect to any product which proves to be defective within limited warranty. For any product believed to be defective within limited warranty, first write or call dealer from whom the product was purchased. Dealer will give additional directions. If unable to resolve satisfactorily, write to Dayton at address below, giving dealer's name, address, date, and number of dealer's invoice, and describing the nature of the defect. Title and risk of loss pass to buyer on delivery to common carrier. If product was damaged in transit to you, file claim with carrier.

Manufactured for Dayton Electric Mfg. Co., 5959 W. Howard St., Niles, Illinois 60714-4014 U.S.A.

**Manufactured for Dayton Electric Mfg. Co.
Niles, Illinois 60714 U.S.A.**

Dayton®