

Please read and save these instructions. Read carefully before attempting to assemble, install, operate or maintain the product described. Protect yourself and others by observing all safety information. Failure to comply with instructions could result in personal injury and/or property damage! Retain instructions for future reference.

Dayton® Generator

Description

Dayton generator was constructed with the highest level of precision and accuracy. Each component has been rigorously tested by technicians to ensure the quality, endurance and performance of this generator.



Unpacking

When unpacking the unit, carefully inspect for signs of obvious or concealed freight damage. If damage does exist, file a claim with the transportation company immediately. Be sure that all damaged parts are replaced and that the mechanical and electrical problems are corrected prior to operation of the unit. Tools Required: 1/2" Socket, 1/2" Wrench.

Specifications

Engine.....	Honda
Watts (AC) Rated	12,000 watts
Watts (AC) Max.	14,000 watts
Rated Voltage (AC)	120V/240V
Max. Amperage	116.7/58.3 A
Cont. Amperage	100/50 A
Frequency	60 Hz
Fuel Tank Capacity	13.2 gal
Run Time	8.0 hrs
Dimensions (in).....	31.5L x 30.5W x 37.5H

Form 556239

General Safety Information

READ OPERATING INSTRUCTIONS
Always become familiar with all the instructions and warnings before operating any generator

IMPORTANT SAFETY INSTRUCTIONS

⚠ WARNING *To reduce the risk of injury, read this operator's manual completely before using. When using this product, the following basic precautions should always be followed:*

1. Read all the instructions before using the product.
2. Do not allow children or untrained persons to operate the generator.
3. Do not operate the generator when fatigued or under the influence of drugs or chemicals. Stay alert. Watch what you are doing.
4. Follow the maintenance instructions

Printed in U.S.A.
06272
1010/434/VCPVP

specified in this manual.

5. When starting the generator, using recoil starter grip, be sure that nothing is in a position to be hit by the operator's hand or arm.
6. Be sure the switch on electric power tools is in the "OFF" position before plugging them into the generator.
7. Keep the immediate area free of all bystanders.
8. Be sure each person who operates this generator is properly instructed in its safe operation.
9. Do not operate the generator or any electrical tool in any area where water or similar materials constitute an electrical hazard to the operator. Do not operate on wet surfaces, in rain or in snow.
10. Always be sure that the generator is on secure footing so that it cannot slide or shift around, endangering workers.
11. Avoid contacting the hot exhaust manifold, muffler or cylinder(s). Keep clear of all rotating parts.
12. Unless the tool or appliance

⚠ WARNING
Warning: This product contains lead, a chemical known to the State of California to cause birth defects or other reproductive harm.
Wash your hands after handling this product.

⚠ WARNING
This product contains one or more chemicals known to the State of California to cause cancer and birth defects or other reproductive harm.

⚠ WARNING
The engine exhaust from this product contains chemicals known to the State of California to cause cancer, birth defects or other reproductive harm.

37-1137 102510



ENGLISH

ESPAÑOL

FRANÇAIS

Dayton® Generator

E
N
G
L
I
S
H

is double insulated, it must be grounded through a properly grounded receptacle. (See Preparing the Generator, Grounding Instructions). Tools and appliances which have 3 prong plugs must be plugged into extension cords and electrical receptacles with 3 holes. Before operating any electrical item, be sure it is in good repair.

13. Follow instructions in this manual when testing Ground Fault Circuit Interrupter to insure reliable operation.
14. Beware of using this equipment in confined spaces. Confined spaces, without sufficient fresh air ventilation, can contain dangerous gases. Running gasoline engines in such environments can lead to deadly explosions and/or asphyxiation.
15. If your generator comes equipped with a transport dolly, make sure this unit is secure during operation and when transporting to prevent unexpected movement or rolling.
16. Use extreme caution when lifting this generator. Do not use dolly handles to lift this generator, use only designated lifting hook to lift this generator. This generator is heavy so proper lifting techniques should be used.

SAVE THESE INSTRUCTIONS

CARBON MONOXIDE-POISONOUS

GAS Use generator outdoors, away from open windows, vents, or doors. Generator exhaust contains carbon monoxide - a poisonous gas that can kill you. You CAN NOT smell or see this gas. Never use a generator in enclosed or partially-enclosed spaces.

Generators can produce high levels of

carbon monoxide very quickly. When you use a portable generator, remember that you cannot smell or see carbon monoxide. Even if you can't smell exhaust fumes, you may still be exposed to carbon monoxide.

If you start to feel sick, dizzy, or weak while using a generator, get to fresh air **RIGHT AWAY. DO NOT DELAY.** The carbon monoxide from generators can rapidly lead to full incapacitation and death.

If you experience serious symptoms, get medical attention immediately. Inform medical staff that carbon monoxide poisoning is suspected. If you experienced symptoms while indoors, have someone call the fire department to determine when it is safe to re-enter the building.

Never operate the generator in an explosive atmosphere, near combustible materials or where ventilation is not sufficient to carry away exhaust fumes. Exhaust fumes can cause serious injury or death.

NEVER use a generator indoors, including in homes, garages, basements,

crawl spaces, and other enclosed or partially-enclosed areas, even with ventilation. Opening doors and windows or using fans will not prevent carbon monoxide build-up in the home.

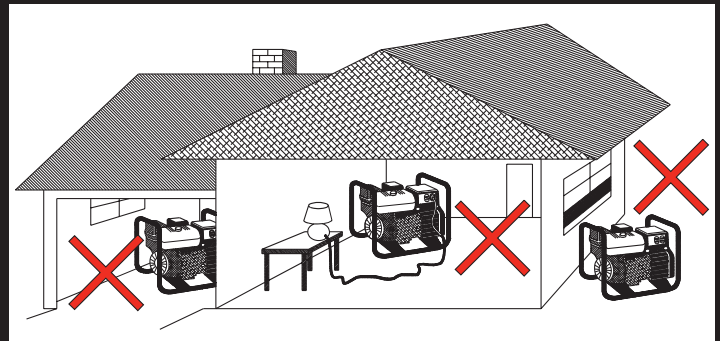
Follow the instructions that come with your generator. Locate the unit outdoors and away from doors, windows, and vents that could allow the carbon monoxide gas to come indoors.

ONLY run generator outdoors and away from air intakes.

NEVER run generator inside homes, garages, sheds, or other semi-enclosed spaces. These spaces can trap poisonous gases **EVEN IF** you run a fan or open doors and windows.

If you start to feel sick, dizzy, or weak while using the generator, shut it off and get fresh air **RIGHT AWAY.** See a doctor. You may have carbon monoxide poisoning.

DANGER / PELIGRO



- DO NOT USE INDOORS OR OUTSIDE OPEN WINDOWS FUMES CAN KILL YOU!
- NE PAS UTILISER À L'INTÉRIEUR OU À L'EXTÉRIEUR DES FENÊTRES OUVERTES. LES VAPEURS DE GAZ PEUVENT VOUS TUER!
- NO USE ADENTRO O AFUERA DE VENTANAS ABIERTAS LOS GASES PUEDEN MATARLE!

34-1563-E/F/S-062104-ENG.

Models 6FYA4

Install battery-operated carbon monoxide alarms or plug-in carbon monoxide alarms with battery back-up in your home, according to the manufacturer's installation instructions. The carbon monoxide alarms should be certified to the requirements of the latest safety standards for carbon monoxide alarms. (UL 2034, IAS 6-96, or CSA 6.19.01).

Test your carbon monoxide alarm frequently and replace dead batteries.

SAFETY WARNING WHEN REFUELING

Gasoline is extremely flammable and its vapors can explode if ignited.

Observe all safety regulations for the safe handling of fuel. Handle fuel in safety containers. If the container does not have a spout, use a funnel.

Do not overfill the fuel tank, leave room for the fuel to expand.

Do not refill fuel tank while the engine is running. Before refueling the generator, turn it off and let it cool down. Gasoline spilled on hot engine parts could ignite. Fill the tank only on an area of bare ground. While fueling the tank, keep heat, sparks and open flame away. Carefully clean up any spilled fuel before starting engine.

Always fill fuel tank in an area with plenty of ventilation to avoid inhaling dangerous fumes.

NEVER store fuel for your generator in the home. Gasoline, propane, kerosene, and other flammable liquids should be stored outside of living areas in properly-labeled, non-glass safety containers. Do not store them near a fuel-burning appliance, such as a natural gas water heater in a garage. If the fuel is spilled or the container is not

sealed properly, invisible vapors from the fuel can travel along the ground and can be ignited by the appliance's pilot light or by arcs from electric switches in the appliance.

GROUND FAULT CIRCUIT INTERRUPTER PROTECTION. These generators are equipped with two GFCI (Ground Fault Circuit Interrupters) 120V duplex receptacles for protection against the hazards of electrical shock from defective attachments such as, tools, cords, and cables.

A GFCI is a device that interrupts electricity from either the utility or generator by means of a special type of circuit breaker if a fault current flow to the ground occurs.

A GFCI can be used only with generators that have the neutral wire internally bonded to the frame, and the frame properly grounded to the earth. A GFCI will not work on generators that do not have the neutral wire bonded to the frame, or on generators which have not been properly grounded. All Dayton generators have internally bonded ground wires. A GFCI will not work if the unit is not properly grounded.

A GFCI may be required by OSHA regulations, the National Electric Code and/or local and federal codes when operating a generator.

For additional protections against shock hazards due to defective equipment attached to the twist-lock receptacles, consider the use of a GFCI on each of these receptacles as well.

GFCIs and GFCI protected cord sets and cables may be purchased from local electrical supply houses.

⚠ WARNING *The GFCIs may not function unless*

the generator is properly grounded. Follow the correct procedure specified in the section labeled "GROUNDING INSTRUCTIONS"

⚠ WARNING *Only the 120V Duplex Receptacles are protected by the GFCI.*

ELECTRICAL HAZARDS. This product must be grounded. If it should malfunction or breakdown, grounding provides a path of least resistance for electric current to reduce the risk of electric shock.

⚠ DANGER *Improper connection of the equipment-grounding conductor can result in a risk of electrocution. Check with a qualified electrician or service person if you are IN doubt as to whether the unit is properly grounded.*

This generator is equipped with a grounding terminal for your protection. Always complete the ground path from the generator to an external ground source as instructed in the section labeled "Grounding Instructions" in the Preparation section of this manual.

The generator is a potential source of electrical shock if not kept dry. Keep the generator dry and do not use in rain or wet conditions. To protect from moisture, operate it on a dry surface under an open, canopy-like structure.

Dry your hands if wet before touching the generator.

Risk of electric shock if you operate this generator with a faulty GFCI (Ground Fault Circuit Interrupter). Test GFCI before each use, see Operations Instructions for further information. If GFCI fails test, DO NOT use your generator. Contact your Dayton Customer Service Representative.

Plug appliances directly into the

Dayton® Generator

generator. Or, use a heavy duty, outdoor-rated extension cord that is rated (in watts or amps) at least equal to the sum of the connected appliance loads. Check that the entire cord is free of cuts or tears and that the plug has all three prongs, especially a grounding pin.

NEVER try to power the house wiring by plugging the generator into a wall outlet, a practice known as “back feeding”. This is an extremely dangerous practice that presents an electrocution risk to utility workers and neighbors served by the same utility transformer. It also bypasses some of the built-in household circuit protection devices.

If you must connect the generator to the house wiring to power appliances, have a qualified electrician install the appropriate equipment in accordance with local electrical codes. Or, check with your utility company to see if it can install an appropriate power transfer switch.

For power outages, permanently installed stationary generators are better suited for providing backup power to the home. Even a properly connected portable generator can become overloaded. This may result in overheating or stressing the generator components, possibly leading to a generator failure.

GROUNDING INSTRUCTIONS

This product must be grounded. If it should malfunction or breakdown, grounding provides a path of least resistance for electric current to reduce the risk of electric shock.

⚠ DANGER *Improper connection of the equipment-*

grounding conductor can result in a risk of electrocution. Check with a qualified electrician or service person if you are in doubt as to whether the unit is properly grounded.

The wing nut and ground terminal on the frame must always be used to connect the generator to a suitable ground source. The ground path should be made with #8 size wire. Connect the terminal of the ground wire between the two star washers and wing nut then tighten the wing nut fully. Connect the other end of the wire securely to a suitable ground source.

The National Electric Code contains several practical ways in which to establish a good ground source. Examples given below illustrate a few of the ways in which a good ground source may be established.

A metal underground water pipe in direct contact with the earth for at least 10 feet can be used as a grounding source. If a pipe is unavailable, an 8 foot length of pipe or rod may be used as the ground source. The pipe should be 3/4 inch trade size or larger and the outer surface must be noncorrosive. If a steel or iron rod is used it should be at least 5/8 inch diameter and if a nonferrous rod is used it should be at least 1/2 inch diameter and be listed as material for grounding. Drive the rod or pipe to a depth of 8 feet. If a rock bottom is encountered less than 4 feet down, bury the rod or pipe in a trench. All electrical tools and appliances operated from this generator, must be properly grounded by use of a third wire or be “Double Insulated”.

It is recommended to:

1. Use electrical devices with 3 prong power cords.
2. Use an extension cord with a 3 hole receptacle and a 3 prong plug at the opposite ends to ensure continuity of the ground protection from the generator to appliance.

We strongly recommend that all applicable federal, state and local regulations relating to grounding specifications be checked and followed.

LINE TRANSFER SWITCH

If this generator is used for standby service, it must have a transfer switch between the utility power service and the generator. The transfer switch not only prevents the utility power from feeding into the generator, but is also prevents the generator from feeding out into the utility company's lines. This is intended to protect the serviceman who may be working on a damaged line.

THIS INSTALLATION MUST BE DONE BY A LICENSED ELECTRICIAN AND ALL LOCAL CODES MUST BE FOLLOWED.

ENGINE OIL

Oil is a major factor affecting performance and service life. Use 4-stroke automotive detergent oil.

Recommended Oil: Use 4-stroke motor oil that meets or exceeds the requirements for API service classification SJ, SL, or equivalent. Always check the API service label on the oil container to be sure it includes the letters SJ, SL, or equivalent.

SAE 10W-30 is recommended for general use. Other viscosities shown in the chart may be used when the average temperature in your area is within the indicated range.

Models 6FYA4

Pre-Operation

FUELING

To fill with oil:

1. Level the engine to ensure accurate inspection and to prevent overfilling.
2. Remove the dipstick and wipe it clean.
3. Fully insert the dipstick, then remove it to check the oil level.

NOTE: When checking the oil be sure the engine is level.

4. If the oil level is low, remove the oil filler cap, and fill to the upper limit mark on the dipstick with the recommended oil.

5. Reinstall the dipstick and filler cap.

NOTE: Running the engine with a low oil level can cause engine damage.

The Oil Alert system (applicable types) will automatically stop the engine before the oil level falls below the safe limit. However, to avoid the inconvenience of an unexpected shutdown, always check the engine oil level before startup.

▲ WARNING **EXPLOSIVE FUEL! GASOLINE IS EXTREMELY FLAMMABLE AND ITS VAPORS CAN EXPLODE IF IGNITED.**

STORE GASOLINE ONLY IN APPROVED CONTAINERS, IN WELL VENTILATED, UNOCCUPIED BUILDINGS AND AWAY FROM SPARKS OR FLAMES.

DO NOT FILL THE FUEL TANK WHILE THE ENGINE IS HOT OR RUNNING, SINCE SPILLED FUEL COULD IGNITE IF IT COMES IN CONTACT WITH HOT PARTS OR SPARKS FROM IGNITION. DO NOT START THE ENGINE NEAR SPILLED FUEL.

NEVER USE GASOLINE AS A CLEANING AGENT.

▲ WARNING **DO NOT OVERFILL THE FUEL TANK, LEAVE ROOM FOR THE FUEL TO EXPAND.**

GENERAL RECOMMENDATIONS

- Purchase gasoline in small quantities and store in clean, approved containers.
- To minimize gum deposits in your fuel system and to insure easy starting, do not use gasoline left over from the previous season.
- Do not add oil to the gasoline.

FUEL TYPE

- For best results use only clean, fresh, unleaded gasoline with a pump sticker octane rating of 87 or higher.
- Unleaded gasoline is recommended as it leaves less combustion chamber deposits.

Gasoline/Alcohol Blends:

Gasohol (up to 10% ethyl alcohol, 90% unleaded gasoline by volume) is approved, as a fuel. Other gasoline/alcohol blends are not approved.

Gasoline/Ether Blends:

Methyl Tertiary Butyl Ether (MTBE) and unleaded gasoline blends (up to a maximum of 15% MTBE by volume) are approved as a fuel. Other gasoline/ether blends are not approved.

BATTERY INSTALLATION

▲ WARNING **SHOULD ONLY BE DONE BY AN AUTHORIZED DEALER.**

HIGH ALTITUDE

At high altitude, the standard carburetor air/fuel mixture will be too rich. Performance will decrease, and fuel consumption will increase. A very rich mixture will also foul the spark plug and cause hard starting. Operation at an altitude that differs from that at which this engine was certified, for extended periods of time, may increase emissions. High altitude performance can be

improved by specific modifications to the carburetor. If you always operate your generator at altitudes above 5,000 feet (1,500 meters), have your dealer perform this carburetor modification. This engine, when operated at high altitude with the carburetor modifications for high altitude use, will meet each emission standard throughout its useful life. Even with carburetor modification, engine horsepower will decrease about 3.5% for each 1,000-foot (300-meter) increase in altitude. The effect of altitude on horsepower will be greater than this if no carburetor modification is made.

NOTE: When the carburetor has been modified for high altitude operation, the air/fuel mixture will be too lean for low altitude use. Operation at altitudes below 5,000 feet (1,500 meters) with a modified carburetor may cause the engine to overheat and result in serious engine damage. For use at low altitudes, have your servicing dealer return the carburetor to original factory specifications.

Operation

ELECTRIC START

NOTE: Read Operator's Manual carefully before operating this unit. Always make sure the unit is level and properly grounded. Check engine oil before starting.

1. Turn the idle control switch to the OFF position.



Dayton® Generator

2. Move choke lever to full choke. If re-starting a warm engine, the choke should be left in the off position. (See Above)
3. Turn the key to the START position, hold until engine starts.
4. When the engine starts, release key, allowing it to return to the ON position.

NOTE: Do not crank the engine continuously for more than 30 seconds at a time. If the engine does not start, allow for a 3 minute cool down period between starting attempts. Failure to follow these guidelines can damage the starter motor.

If the starter does not turn the engine over, shut off the starter immediately. Do not make further attempts to start the engine until the condition is corrected. Do not jump start using another battery.

5. Slowly move choke lever to no choke.
6. Allow unit to run two (2) minutes to warm-up.
7. Test the GFCI receptacle(s) on the unit. Push the test button. The reset button should pop out and there should be no power at the receptacle. Apply a test load or lamp to each receptacle to verify. IF THE RESET BUTTON DOES NOT POP OUT, DO NOT USE THE RECEPTACLE(S). SEE AUTHORIZED DAYTON SERVICE PROVIDER FOR SERVICE IMMEDIATELY.
8. If GFCI receptacle(s) test correctly, firmly push the reset button to restore power. A distinctive click should be heard or felt when this is complete. IF THE RECEPTACLE(S) DO NOT RESET PROPERLY, DO NOT USE THE RECEPTACLE(S). SEE AUTHORIZED DAYTON

SERVICE PROVIDER FOR SERVICE IMMEDIATELY.

9. Turn idle control switch to ON position. Loads can now be applied to unit.

NOTE: This engine is equipped with a "Low Oil" shutdown system for engine protection. The engine stops when the oil level gets too low. The engine will not restart without adding oil. Refer to Preparing the Generator; Engine Fuel Capacity for instructions on adding oil.

NOTE: While the engine is idling, the generator voltage is automatically reduced to reduce generator temperatures. The voltage will return to normal levels immediately upon the application of load.

SHUTDOWN

1. Remove all load by turning off electrical appliances and unplugging electric cords.
 2. Allow engine to run at idle speed to cool for two (2) minutes.
- NOTE: Failure to allow the engine to cool at idle for two (2) minutes may result in damage to the generator.**
3. Turn engine key or ignition switch off.

Maintenance

GENERATOR MAINTENANCE

Keep all air vents clear.

Keep the generator clean. DO NOT spray with water.

Periodically check all fasteners and tighten, see the periodic maintenance chart.

GFCI TEST RECORDS: As with any other safety devices, the GFCIs supplied with these generators must be checked every month to insure that they are functioning properly. To test the GFCIs, follow the instructions and then enter the date of the test below.

1. With the generator running and the

idle control switch in the "START" position, push the "TEST" button. The "RESET" button should pop out. This should result in the power being off at both outlets of the duplex receptacle. Verify this by plugging a test lamp into each outlet.

⚠ WARNING IF THE RESET BUTTON DOES NOT POP OUT, DO NOT USE THE RECEPTACLE(S). SEE AUTHORIZED Dayton Service Provider FOR SERVICE IMMEDIATELY.

2. If the GFCI test correctly, restore power by FIRMLY pushing the "RESET" button back in until you hear or feel a distinctive "click". IF THE GFCI FAILS TO RESET PROPERLY, DO NOT USE EITHER OUTLET OF THE DUPLEX RECEPTACLE. Have the unit serviced by an AUTHORIZED DAYTON SERVICE PROVIDER immediately.
3. High vibration or severe mechanical shock loads may cause the GFCIs to trip. IF EITHER GFCI TRIPS BY ITSELF AT ANY TIME, reset it and perform test procedures 1 and 2.
4. Repeat steps 1-3 for the second GFCI.

⚠ WARNING ALTHOUGH THE ABOVE TEST PROCEDURES WILL INDICATE PROPER GFCI OPERATION ON AN UNGROUNDED OR IMPROPERLY GROUNDED GENERATOR, THE GENERATOR MUST STILL BE GROUNDED PER THE GROUNDING INSTRUCTIONS LISTED ON PAGE 14 FOR THE GFCI TO FUNCTION PROPERLY AND PROTECT THE USER FROM ELECTRICAL FAULTS.

EVAPORATIVE EMISSION COMPONENTS:

The unit you have purchased includes the following components that are in compliance with 2008 California Air Resources Board Evaporative Emission Standards;

Models 6FYA4

E
N
G
L
I
S
H

1. Fuel Hose
2. Fuel Hose Fittings

These components should be inspected on a daily basis for cracks, leaks, and abnormal wear. If cracking, leaks or abnormal wear has occurred, the components should be replaced immediately.

IDLE CONTROL ADJUSTMENT:

NOTE: The automatic idle speed is set between 2640 and 2940 RPM.

The idle speed has been pre-set at the factory and should rarely require readjustment. We recommend that all adjustments of this nature be made by a **AUTHORIZED DAYTON SERVICE PROVIDER**.

Erratic idle operation of the engine usually indicates a need for carburetor adjustment to provide a smooth idle. The idle control will not function properly when the idle speed is below the recommended limits or the carburetor is improperly adjusted.

ENGINE:

The engine for this generator is governed to operate at speeds close to 3600 RPM (60Hz) throughout the operating load range. The no load speed (before a load is applied) will be just a bit higher than the load speed and is normally set to 3750 RPM.

⚠ WARNING **DO NOT TAMPER WITH THE GOVERNOR MECHANISM, CHANGE THE SETTING EXPERIMENTALLY, OR PUSH THE THROTTLE OPEN IN AN ATTEMPT TO GENERATE MORE ELECTRICAL CURRENT; EQUIPMENT DAMAGE OR PERSONAL INJURY MAY RESULT.**

GOVERNOR SPEED ADJUSTMENT SHOULD BE MADE ONLY BY AN AUTHORIZED Dayton Service Provider .

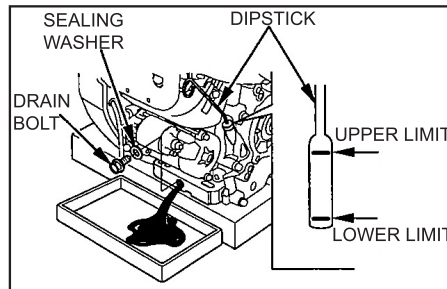
CHECKING ENGINE OIL:

Check oil level before each operation and ensure that it is maintained per Preparing the Generator; Engine Oil Capacity section.

CHANGING ENGINE OIL:

Change oil after the first 20 hours of operation. Thereafter it should be changed every 100 hours.

1. Make sure the unit is on level ground. Drain the used oil when the engine is warm. Warm oil drains quickly and completely.
2. Stop the engine.
3. Place a suitable container below the engine to catch the used oil, then remove the filler cap, drain bolt and washer.



⚠ CAUTION **Oil being drained may be hot. To reduce the risk of burn injury, handle with care. Dispose of used oil properly.**

4. Allow the used oil to drain completely, then reinstall the drain bolt and new washer, and tighten the drain bolt securely.

Dispose of used motor oil in a manner that is compatible with the environment. We suggest you take used oil in a sealed container to your local recycling center or service station for reclamation. Do not

throw it in the trash, pour it on the ground, or down a drain.

5. With the engine in a level position, fill to the upper limit mark on the dipstick with the recommended oil.

NOTE: Running the engine with a low oil level can cause engine damage.

The Oil Alert system (applicable types) will automatically stop the engine before the oil level falls below the safe limit. However, to avoid the inconvenience of an unexpected shutdown, fill to the upper limit, and check the oil level regularly. 6. Remove oil gauge and refill with new oil.

6. Reinstall the filler cap and dipstick securely.

⚠ WARNING **AIR CLEANER: RISK OF FIRE OR EXPLOSION. DO NOT USE GASOLINE OR LOW FLASH-POINT SOLVENTS TO CLEAN THE ELEMENT. CLEAN THE ELEMENT IN A WELL VENTILATED AREA. ENSURE THAT NO SPARKS OR FLAMES ARE NEAR THE WORKING AREA, THIS INCLUDES ANY APPLIANCE WITH A PILOT LIGHT.**

⚠ CAUTION **NEVER RUN THE ENGINE WITHOUT THE AIR FILTER, SERIOUS DANGER CAN RESULT.**

Check the air cleaner daily or before starting the engine. Check for and correct heavy buildup of dirt and debris along with loose or damaged components.

1. Release the four latch tabs or remove the wing nut from the air cleaner cover, and remove the cover.
2. Remove the foam filter from the cover.
3. Remove the paper filter from the air cleaner case. (if applicable)
4. Inspect air filter elements, and replace

Dayton® Generator

ENGLISH

if damaged.

5. Clean the air filter elements if they are to be reused:

FOAM FILTER ELEMENT: Wash the foam filter element in warm water with detergent. Rinse the foam filter element thoroughly until all traces of detergent are eliminated. Squeeze out excess water, but do not wring. Allow the foam filter element to air dry.

Saturate the foam filter element with new engine oil. Squeeze out all excess oil. DO NOT put engine oil on the foam damper.

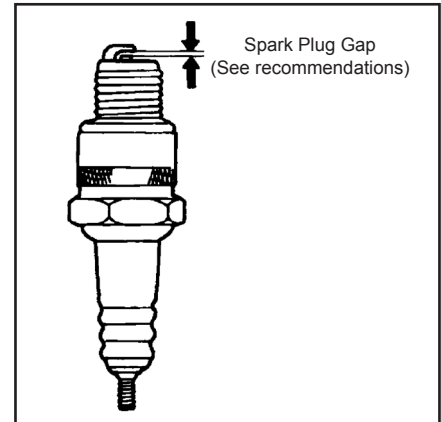
NOTE: Clean the foam filter element every 25 hours of operation (more often under extremely dusty or dirty condition)

PAPER AIR CLEANER ELEMENT: Do not wash the paper element or use pressurized air, as this will damage the element. Clean by gently tapping the element to remove dust. Replace the element if damaged, bent or extremely dirty. Handle new element carefully; do not use if the sealing surfaces are bent or damaged.

NOTE: Replace the paper element every 100 hours (more often under extremely dusty conditions.)

6. Wipe dirt from the inside of the air cleaner body and cover, using a moist rag. Be careful to prevent dirt from entering the air chamber that leads to the carburetor.

7. Place the foam air filter element in the air cleaner cover. If applicable,



reinstall the paper air filter element and cover to the air cleaner case. Replace cover securely.

Maintenance Chart

Procedure	Daily	Every 25 hrs.	Every 100 hrs.	Every 200 hrs.	Before Storage
Check Fuel	X				
Check Engine Oil	X				
Check for loose or lost nuts and bolts	X				
Check for leaks	X				
Check cylinder and head fins for dust and dirt	X				
Check battery electrolyte level	X				
Check fuel lines (replace if necessary)	X				
Clean air cleaner foam element (**)		X			
Tighten nuts and bolts (*)			X		
Change engine oil			X		
Clean fuel filter			X		
Replace air cleaner paper element			X		
Clean dust and dirt from cylinder and cylinder head fins (**)			X		
Clean and regap spark plug				X	
Add fuel stabilizer					X
Run unit dry					X

* Perform these operations after the first 5 hours of use, then at the recommended intervals.

** Service more frequently under dusty conditions.

NOTE: These items must be performed with the proper tools. See your Dayton Customer Service Representative for service, unless you have the proper equipment and mechanical proficiency.

Models 6FYA4

E
N
G
L
I
S
H

CLEANING AND GAPPING SPARK PLUG:

If the plug is contaminated with carbon, remove it using a plug cleaner or wire brush. Check the spark plug gap and reset it if necessary. The spark plug gaps are listed below. To change the gap, bend the side-electrode only, using a spark plug tool. Install and tighten the spark plug. Connect the spark plug lead.

SPARK ARRESTOR:

If the generator has been running, the muffler will be very hot. Allow it to cool before proceeding.

NOTE: Remove and clean spark arrester every 100 hours or as necessary.

NOTE: Product users on United States forest service land, and in some states, must comply with fire prevention regulations.

Clean the spark arrester as follows:

1. Remove the screw from the muffler and remove the spark arrester.
2. Use a brush to remove carbon deposits from the spark arrester screen. Be careful to avoid damaging the screen.

The spark arrester must be free of breaks and holes. Replace the spark arrester if it is damaged.

Engine	Honda
Spark Plug	NGK ZGR5A
Spark Plug Gap	0.7 - 0.8 mm (0.03 in.)
Torque - New	8.7-10.9 ft-lb
Torque - Retighten	16.6-19.5 ft-lb

3. Install the spark arrester and muffler protector in the reverse order of disassembly.

Spark arrestors are available from your local Dayton Customer Service Representative. Other user requirements may apply, check with your Federal, State or local authorities.

Recommended Spark Plug:

Storing Generator

SHORT TERM (1-6 MONTHS):

1. Add gasoline conditioner and stabilizer at the specified concentration.
2. Run the unit for two (2) minutes to ensure the mixed fuel is in the entire fuel system. Close the fuel valve and run the unit until it stops.
3. Remove the spark plug, pour 1-2 teaspoons (5-10cc) of engine oil into the cylinder, slowly pull the starter handle 2 or 3 times, reinstall the spark plug and tighten securely.

4. Clean the exterior surface of the generator and apply a rust inhibitor.
5. Store the generator in a dry, well ventilated place.

LONG TERM (MORE THAN 6 MONTHS):

1. Add gasoline conditioner and stabilizer at the specified concentration.
2. Run the generator until the fuel tank and carburetor are dry. As the engine is beginning to die, move the choke lever to the choke position.

NOTE: Turn off the idle control to decrease the run time.

3. Remove the spark plug, pour 1-2 teaspoons (5-10cc) of engine oil into the cylinder, slowly pull the starter handle 2 or 3 times, reinstall the spark plug and tighten securely.
4. Clean the exterior surface of the generator and apply a rust inhibitor.
5. Store the generator in a dry, well ventilated place.

WARNING FUEL SHOULD BE DRAINED IN A WELL VENTILATED AREA AND STORED IN A CONTAINER APPROVED FOR GASOLINE.

Dayton® Generator

Troubleshooting Chart

Symptom	Possible Cause(s)	Corrective Action
Engine will not start	Engine switch is off.	Turn engine switch to the ON position.
	Fuel Tank empty.	Fill tank per instructions in this manual.
	Inadequate engine oil.	Check oil level. This engine is equipped with a low oil sensor. The engine cannot be started unless the oil level is above the prescribed lower limit.
	No spark at spark plug.	Remove the spark plug cap. Clean any dirt from around the plug base, then remove the spark plug. Install the spark plug in the plug cap. Turn the engine switch on. Grounding the electrode to any engine ground, pull the recoil starter to see if sparks jump across the gap. If there is no spark, replace the plug. Reinstall the plug and start engine according to instructions in this manual. Consult Customer Service.
Generator has no output.	Circuit breakers tripped.	Reset circuit breakers.
	Inadequate cord sets or extension cords.	Check cord sets or extension cords capabilities in section Controls; Cable Size in this manual. Consult AUTHORIZED DAYTON SERVICE PROVIDER..

Models 6FYA4

LIMITED WARRANTY

DAYTON TWO-YEAR LIMITED WARRANTY. DAYTON® Generator, MODELS COVERED IN THIS MANUAL, ARE WARRANTED BY DAYTON ELECTRIC MFG. CO. (DAYTON) TO THE ORIGINAL USER AGAINST DEFECTS IN WORKMANSHIP OR MATERIALS UNDER NORMAL USE FOR ONE YEAR AFTER DATE OF PURCHASE. ANY PART WHICH IS DETERMINED TO BE DEFECTIVE IN MATERIAL OR WORKMANSHIP AND RETURNED TO AN AUTHORIZED SERVICE LOCATION, AS DAYTON DESIGNATES, SHIPPING COSTS PREPAID, WILL BE, AS THE EXCLUSIVE REMEDY, REPAIRED OR REPLACED AT DAYTON'S OPTION. FOR LIMITED WARRANTY CLAIM PROCEDURES, SEE "PROMPT DISPOSITION" BELOW. THIS LIMITED WARRANTY GIVES PURCHASERS SPECIFIC LEGAL RIGHTS WHICH VARY FROM JURISDICTION TO JURISDICTION.

LIMITATION OF LIABILITY. TO THE EXTENT ALLOWABLE UNDER APPLICABLE LAW, DAYTON'S LIABILITY FOR CONSEQUENTIAL AND INCIDENTAL DAMAGES IS EXPRESSLY DISCLAIMED. DAYTON'S LIABILITY IN ALL EVENTS IS LIMITED TO AND SHALL NOT EXCEED THE PURCHASE PRICE PAID.

WARRANTY DISCLAIMER. A DILIGENT EFFORT HAS BEEN MADE TO PROVIDE PRODUCT INFORMATION AND ILLUSTRATE THE PRODUCTS IN THIS LITERATURE ACCURATELY; HOWEVER, SUCH INFORMATION AND ILLUSTRATIONS ARE FOR THE SOLE PURPOSE OF IDENTIFICATION, AND DO NOT EXPRESS OR IMPLY A WARRANTY THAT THE PRODUCTS ARE MERCHANTABILITY, OR FIT FOR A PARTICULAR PURPOSE, OR THAT THE PRODUCTS WILL NECESSARILY CONFORM TO THE ILLUSTRATIONS OR DESCRIPTIONS. EXCEPT AS PROVIDED BELOW, NO WARRANTY OR AFFIRMATION OF FACT, EXPRESSED OR IMPLIED, OTHER THAN AS STATED IN THE "LIMITED WARRANTY" ABOVE IS MADE OR AUTHORIZED BY DAYTON.

Technical Advice and Recommendations, Disclaimer. Notwithstanding any past practice or dealings or trade custom, sales shall not include the furnishing of technical advice or assistance or system design. Dayton assumes no obligations or liability on account of any unauthorized recommendations, opinions or advice as to the choice, installation or use of products.

Product Suitability. Many jurisdictions have codes and regulations governing sales, construction, installation, and/or use of products for certain purposes, which may vary from those in neighboring areas. While attempts are made to assure that Dayton products comply with such codes, Dayton cannot guarantee compliance, and cannot be responsible for how the product is installed or used. Before purchase and use of a product, review the product applications, and all applicable national and local codes and regulations, and be sure that the product, installation, and use will comply with them.

Certain aspects of disclaimers are not applicable to consumer products; e.g., (a) some jurisdictions do not allow the exclusion or limitation of incidental or consequential damages, so the above limitation or exclusion may not apply to you; (b) also, some jurisdictions do not allow a limitation on how long an implied warranty lasts, consequently the above limitation may not apply to you; and (c) by law, during the period of this Limited Warranty, any implied warranties of implied merchantability or fitness for a particular purpose applicable to consumer products purchased by consumers, may not be excluded or otherwise disclaimed.

Prompt Disposition. A good faith effort will be made for prompt correction or other adjustment with respect to any product which proves to be defective within limited warranty. For any product believed to be defective within limited warranty, first write or call dealer from whom the product was purchased. Dealer will give additional directions. If unable to resolve satisfactorily, write to Dayton at address below, giving dealer's name, address, date, and number of dealer's invoice, and describing the nature of the defect. Title and risk of loss pass to buyer on delivery to common carrier. If product was damaged in transit to you, file claim with carrier.

Manufactured for Dayton Electric Mfg. Co., 5959 W. Howard St., Niles, Illinois 60714-4014 U.S.A.

For Repair Parts, call 1-800-323-0620

24 hours a day – 365 days a year

Please provide following information:

- Model number
- Serial number (if any)
- Part description and number as shown in parts list

E
N
G
L
I
S
H

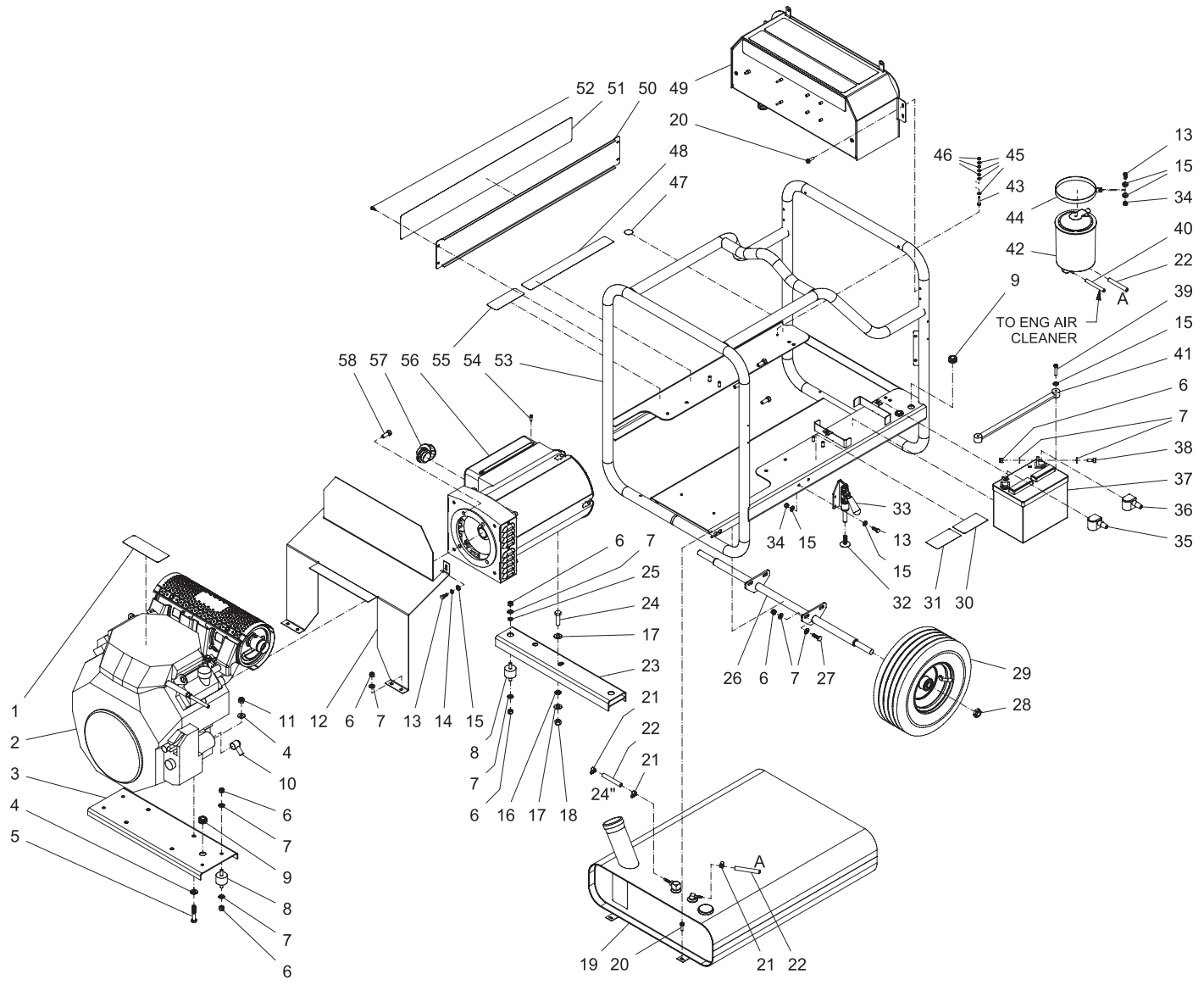


Figure 1 – Repair Parts Illustration for GEN-14000-1GHE 082710

Models 6FYA4

Repair Parts

Ref. No.	Description	Part No.	Qty.	Ref. No.	Description	Part No.	Qty.
1	Decal- Carbon Monoxide (See 34-9039)	N/A	1	32	Bolt	27-9550	1
2	Engine Assembly -Honda GX630	850-0395	1	33	Push/Pull Toggle Clamp	33-0400	1
3	Isolation Plate	5-0279A01	1	34	Locknut	30-0155	4
4	Washer	28-0022	8	35	Battery Cable Cover	33-0429	1
5	Bolt	27-0121	4	36	Battery Cable Cover	33-0004	1
6	Locknut	30-0157	26	37	Battery	32-0058	1
7	Washer	28-0003	36	38	Bolt	27-0066	2
8	Isolator	33-0028	6	39	Bolt	27-0017	2
9	Grommet	33-0001	3	40	Fuel Hose *(Three Feet Required)	15-0261	1
10	Terminal Protector	33-0508	1	41	Battery Strap	33-0430	1
11	Locknut	30-0159	4	42	Carb Canister	62-0212	1
12	Heat Shield	20-1116A01	1	43	Bolt	27-8807	1
13	Bolt	27-0015	6	44	Carb Canister Strap	20-1187A01	2
14	Lockwasher	29-0006	2	45	External Lockwasher	28-1009	4
15	Washer	28-0002	12	46	Nut	30-6001	3
16	Lockwasher	29-0112	1	47	Decal- Ground Pictoral (See 34-9039)	N/A	1
17	Washer	28-0005	2	48	Decal- Warning Explosion (See 34-9039)	N/A	1
18	Locknut	30-0161	1	49	Electric Box Assembly	N/A Sep	1
19	Gas Tank Assembly	856-0019	1	50	Side Panel	20-1117A01	2
20	Bolt	27-9527	10	51	Decal - Marketing	34-2545	2
21	Clamp Worm	42-0004	3	52	Bolt	27-3062	8
22	Fuel Hose *(Five Feet Required)	15-0008	1	53	Frame	5-0269A01	1
23	Isolation Plate	5-0280A01	1	54	Bolt	27-8878	4
24	Bolt	27-0168	1	55	Decal - Grainger 800# Large	34-1444	1
25	Lockwasher	29-0110	1	56	Alternator	32-0886	1
26	Axle	5-0278A01	2	57	Conduit Elbow	32-0907	1
27	Bolt	27-0067	8	58	Bolt	27-0117	4
28	Locknut	30-0117	4		Decal Set (Inc. 1, 30, 48, 49)	34-9039	1
29	Wheel	14-0006	4				
30	Decal- California Emissions	N/A	1				
31	Decal- Silver Sticker	N/A	1				

* (Must order in one foot lengths)

For Repair Parts, call 1-800-323-0620

24 hours a day – 365 days a year

Please provide following information:

- Model number
- Serial number (if any)
- Part description and number as shown in parts list

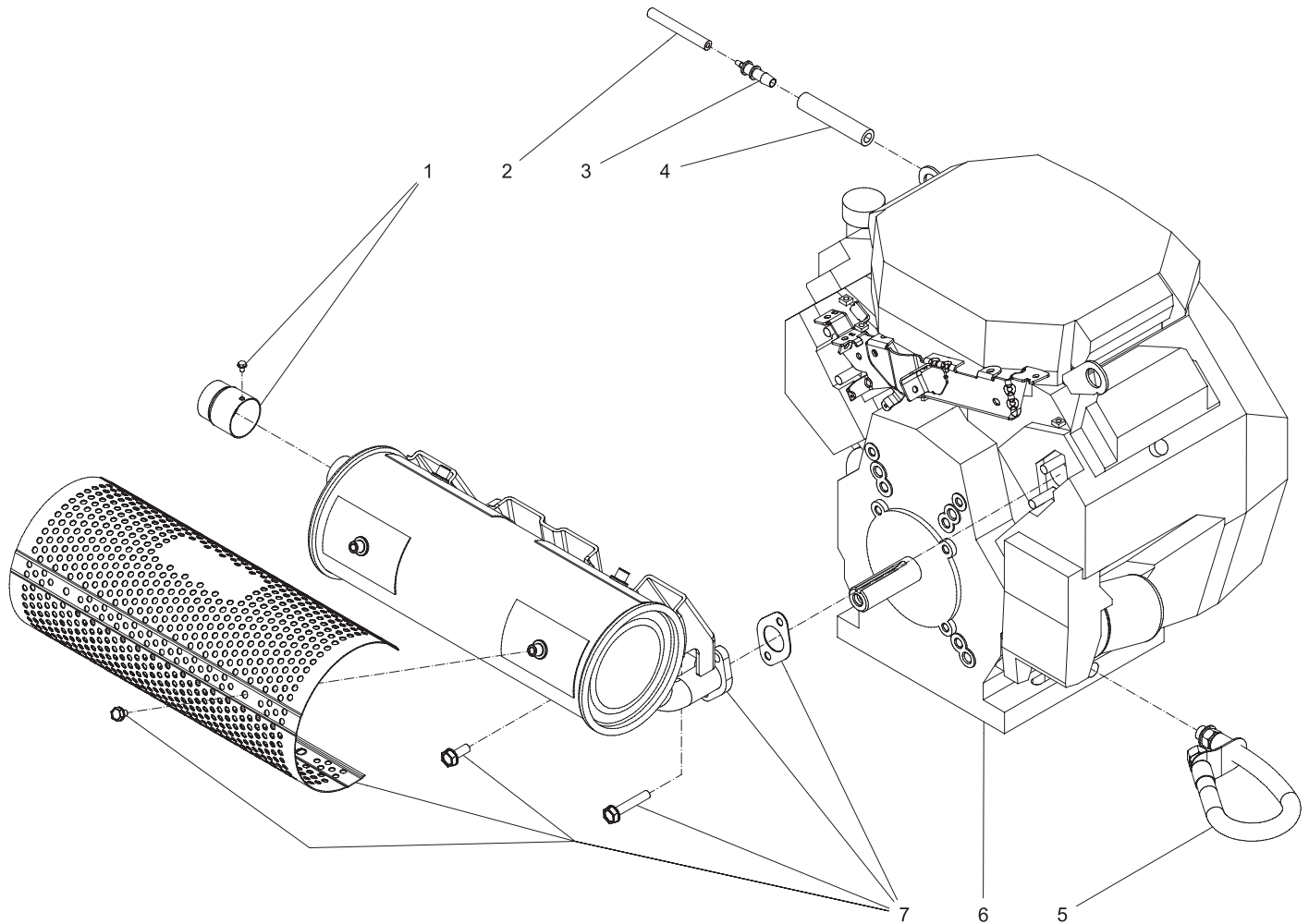


Figure 2 – Repair Parts Illustration for 850-395 082710

For additional engine repair parts (i.e. air and oil filters), consult engine owners manual.

Models 6FYA4

Repair Parts List for Engine

Ref. No.	Description	Part No.	Qty.	Ref. No.	Description	Part No.	Qty.
1	Spark Arrestor	45-0110	1	5	Drain Hose	70-0504	1
2	Fuel Hose *(Five Feet Required)	15-0261	1	6	Engine -Honda GX630	1-0188	1
3	Coupling-Barb	55-0700	1	7	Muffler	45-0162	1
4	Hose Fuel *(One Foot Required)	15-0020	1	* (Must order in one foot lengths)			

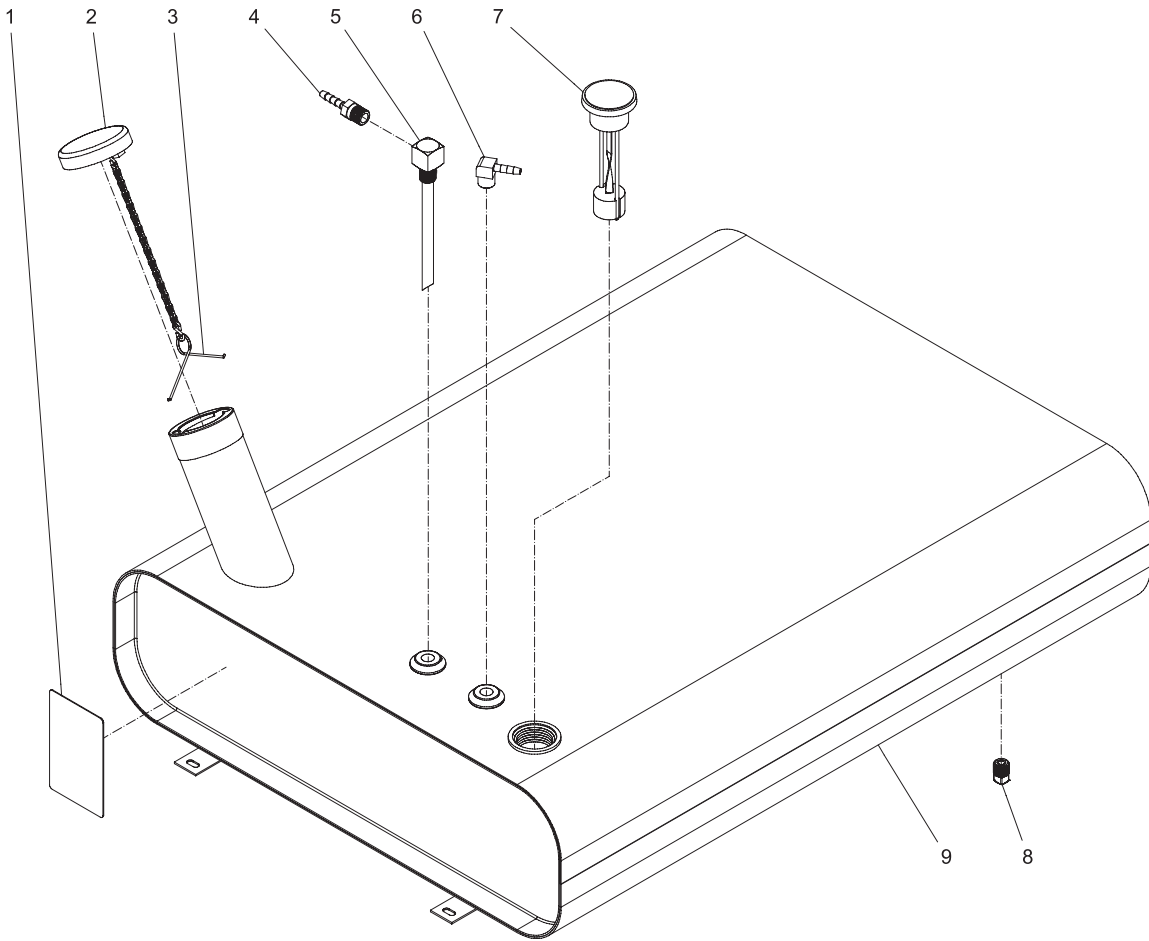
E
N
G
L
I
S
H

For Repair Parts, call 1-800-323-0620

24 hours a day – 365 days a year

Please provide following information:

- Model number
- Serial number (if any)
- Part description and number as shown in parts list



E
N
G
L
I
S
H

Figure 3 – Repair Parts Illustration for 856-0019 071410

Models 6FYA4

Repair Parts List for Gas Tank Assembly

Ref. No.	Description	Part No.	Qty.	Ref. No.	Description	Part No.	Qty.
1	Decal- Caution: Gasoline Only (See 34-9039)	N/A	1	5	Fuel Pick Up	33-0271	1
2	Fuel Cap	12-0229	1	6	Elbow	23-0054	1
3	Fuel Cap Catch	12-0228	1	7	Fuel Gauge	12-0184	1
4	Barb	23-0051	1	8	Plug	24-0009	1
				9	Fuel Tank	12-0207A01	1

For Repair Parts, call 1-800-323-0620

24 hours a day – 365 days a year

Please provide following information:

- Model number
- Serial number (if any)
- Part description and number as shown in parts list

E
N
G
L
I
S
H

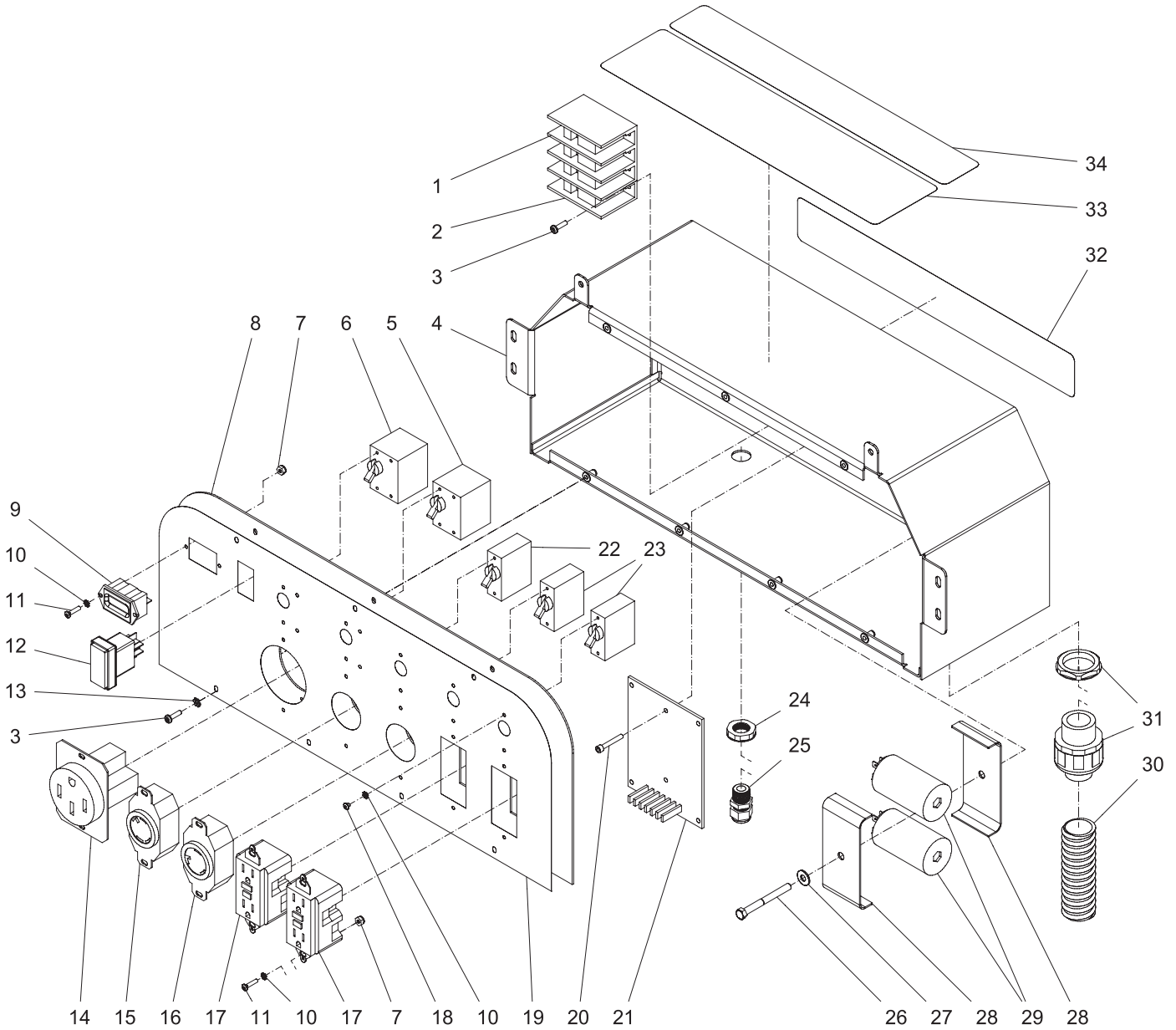


Figure 4 – Repair Parts Illustration for GEN-12000-1GHE E-Box Assy

Models 6FYA4

Repair Parts List for Electric Box Assembly

Ref. No.	Description	Part No.	Qty.	Ref. No.	Description	Part No.	Qty.
1	Power Block 3-Pole	32-0905	1	20	Bolt	27-0740	2
2	Power Block Adder	32-0912	4	21	Idle Down Board	32-0896	1
3	Bolt	27-8942	4	22	Toggle Breaker SP-30A	32-0836	1
4	Electric Box	20-1114A01	1	23	Toggle Breaker SP 20A	32-0834	3
5	Toggle Breaker DP-30A	32-0837	1	24	Locknut	32-0587	1
6	Circuit Breaker Toggle DP-50A	32-0902	1	25	Strain Relief	32-0586	1
7	Locknut	30-0152	16	26	Bolt	27-0022	1
8	Electric Panel	20-1115A01	1	27	Washer	28-0002	2
9	Hour Meter	32-0668	1	28	Capacitor Clamp Bracket	20-0797A01	2
10	Lockwasher	29-1013	26	29	Capacitor	32-0846	2
11	Bolt	27-8881	12	30	Conduit Flex		
12	Rocker Switch	32-0626	1		*(Two Feet Required)	32-0908	1
13	Lockwasher	29-1009	7	31	Conduit Flex	32-0996	1
14	Receptacle L14-50	32-0904	1	32	Decal- Carbon Monoxide (See 34-9039)	N/A Sep.	1
15	Receptacle L14-30	32-0831	1	33	Decal- Operations (See 34-9039)	N/A Sep.	1
16	Receptacle L5-30	32-0832	1	34	Decal- Warning (See 34-9039)	N/A Sep.	1
17	Receptacle GFCI 20A	32-0830	2		Decal Set (Inc 19, 32, 33-34)	34-9039	1
18	Bolt	27-9574	14				
19	Decal-Control Panel (See 34-9039)	N/A Sep.	1				

For Repair Parts, call 1-800-323-0620

24 hours a day – 365 days a year

Please provide following information:

- Model number
- Serial number (if any)
- Part description and number as shown in parts list

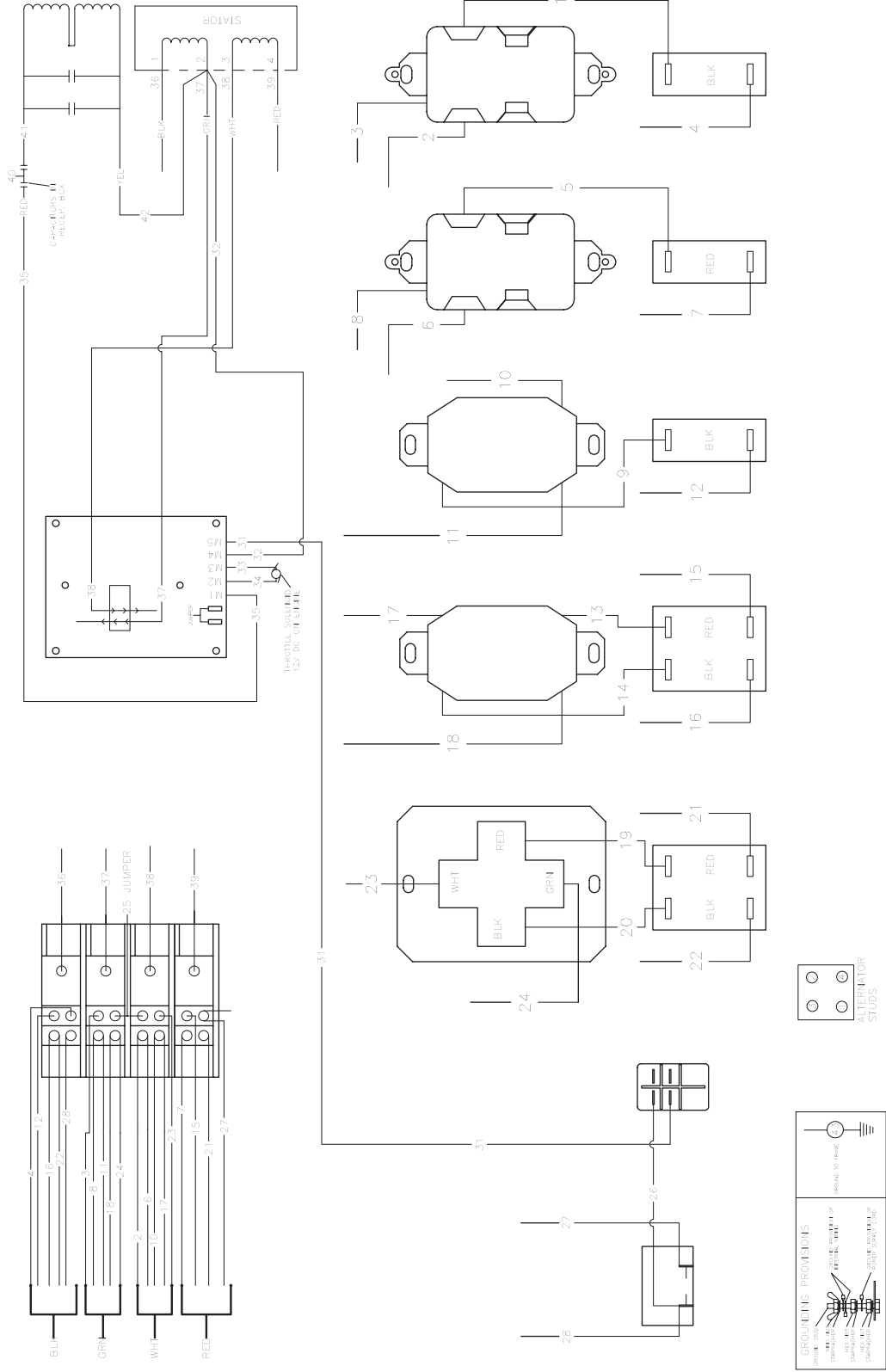


Figure 5 – Repair Parts Illustration Wire Diagram Dayton 12KW 102510

