

For Repair Parts, call 1-800-323-0620

24 hours a day – 365 days a year

Please provide following information:

- Model number
- Serial number (if any)
- Part description and number as shown in parts list

E
N
G
L
I
S
H

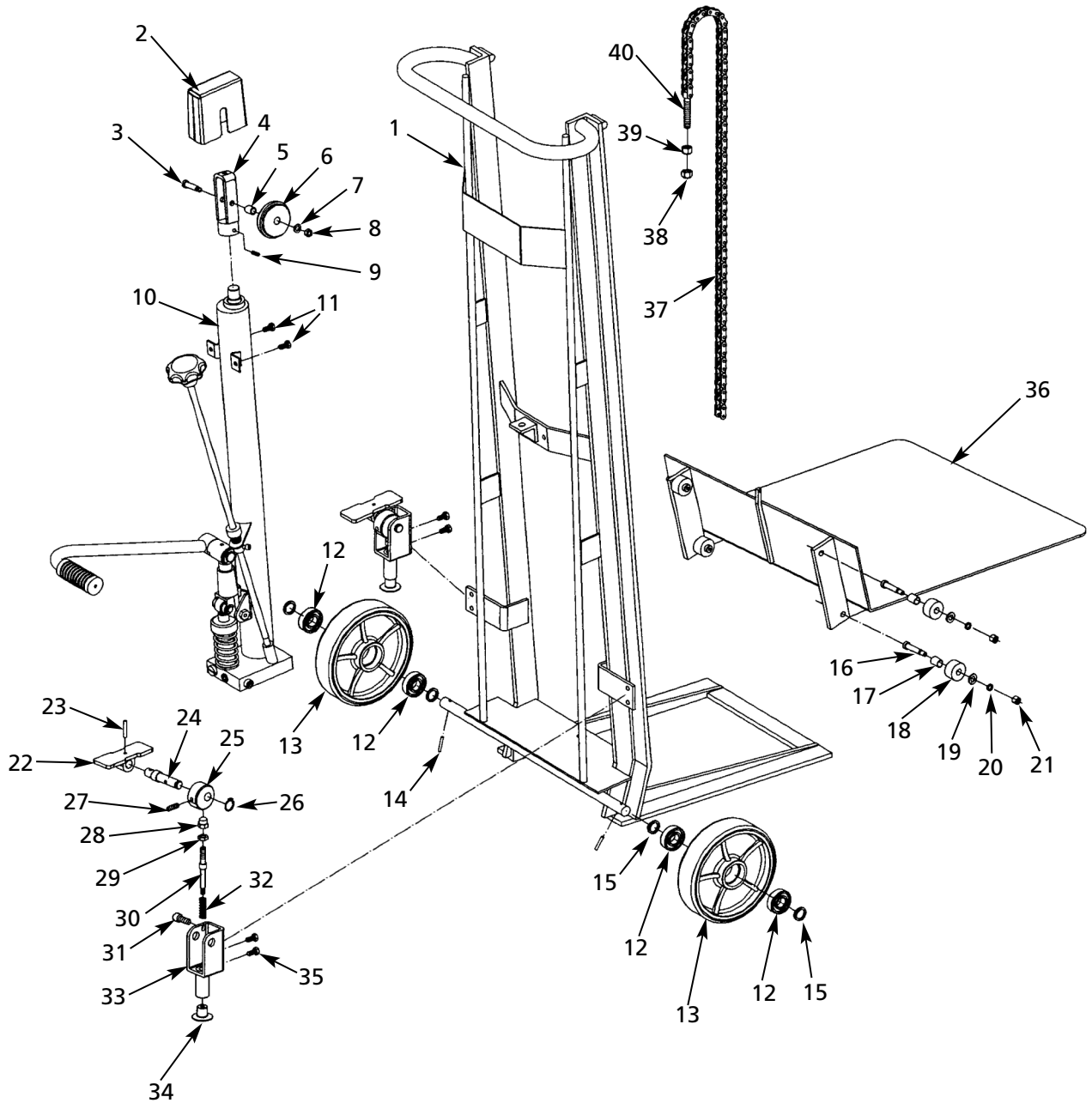


Figure 3 – Repair Parts Illustration for Platform Lift

Models 2MPU5 and 2MPU6

Repair Parts List for Platform Lift

Ref. No.	Description	Part No.	Qty.	Ref. No.	Description	Part No.	Qty.
1	Mast	*	1		Brake Kit	MH2MPU504G	
	Chain Roller Assembly Kit	MH2MPU501G		22	Pedal	▲	2
2	Roller Guard	▲	1	23	Roll Pin	▲	2
3	Bolt	▲	1	24	Shaft	▲	2
4	Roller Bracket	▲	1	25	Cam	▲	2
5	Bushing	▲	1	26	Retaining Ring	▲	2
6	Roller	▲	1	27	Bolt	▲	2
7	Washer	▲	1	28	Nut	▲	2
8	Nut	▲	1	29	Nut	▲	2
9	Bolt	▲	1	30	Screw	▲	2
10	Complete Hydraulic Assembly	MH2MPU502G	1	31	Bolt	▲	2
11	Bolt	**	2	32	Spring	▲	2
	Wheel Kit	MH2MPU503G		33	Frame	▲	2
12	Bearing	▲	4	34	Foot	▲	2
13	Wheel	▲	2	35	Bolt	▲	4
14	Roll Pin	▲	2	36	Platform (2MPU5)	MH2MPU506G	1
15	Washer	▲	2		Platform (2MPU6)	MH2MPU601G	1
	Roller Assembly Kit	MH2MPU505G		37	Chain	MH2MPU507G	1
16	Axle	▲	4		Chain Adjustment Kit	MH2MPT209G	
17	Bushing	▲	4	38	Nut	▲	1
18	Roller	▲	4	39	Nut	▲	1
19	Washer	▲	4	40	Chain Adjustment Bolt	▲	1
20	Spring Washer	▲	4				
21	Nut	▲	4				

(▲) Available as part of kit only.

(*) Not available as repair part.

(**) Common hardware, not offered as a replacement part.

For Repair Parts, call 1-800-323-0620

24 hours a day – 365 days a year

Please provide following information:

- Model number
- Serial number (if any)
- Part description and number as shown in parts list

ENGLISH

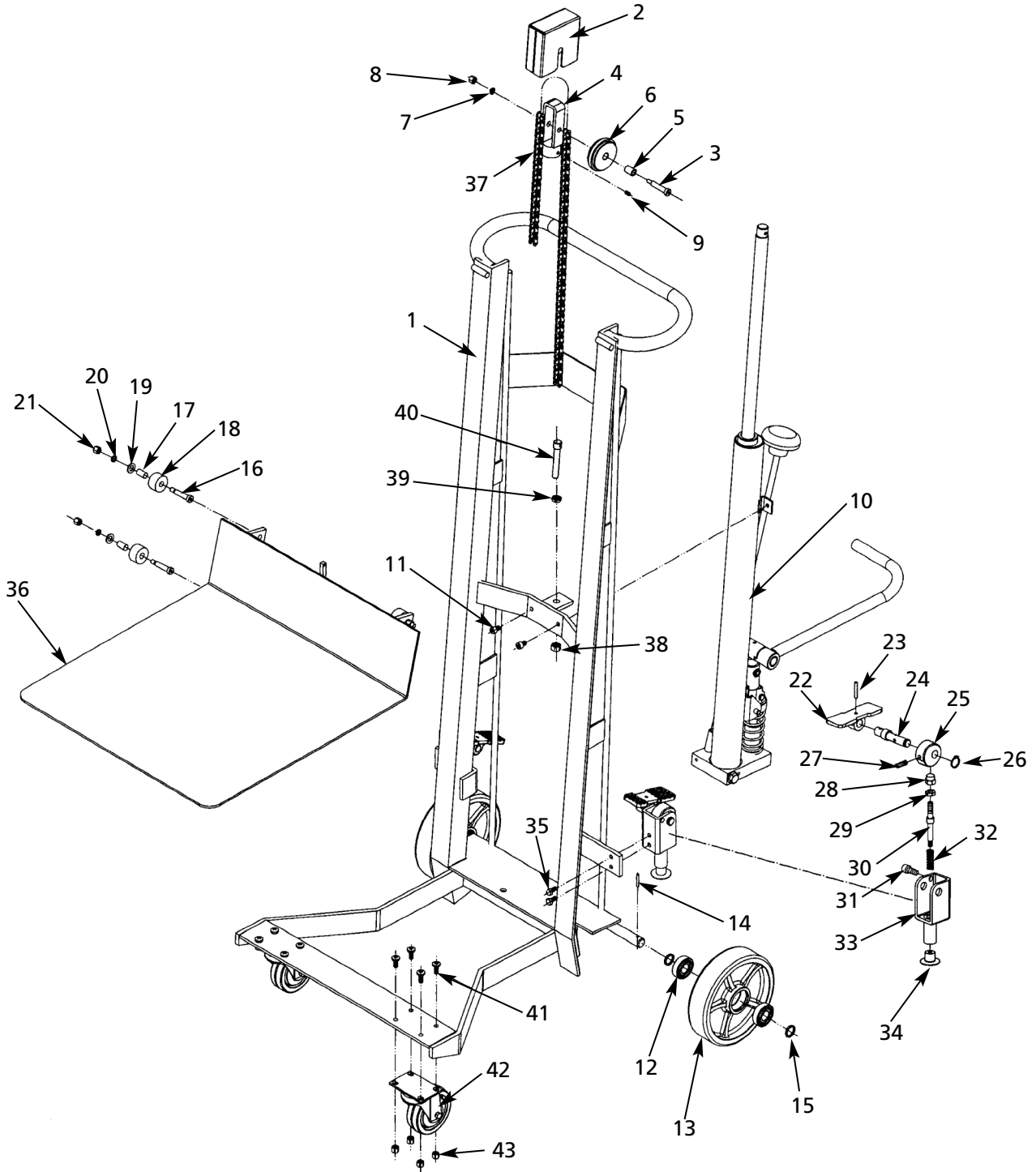


Figure 4 – Repair Parts Illustration for Platform Lift

Models 2MPU7 and 2MPU8

Repair Parts List for Platform Lift

Ref. No.	Description	Part No.	Qty.	Ref. No.	Description	Part No.	Qty.
1	Mast	*	1		Brake Kit	MH2MPU504G	
	Chain Roller Assembly Kit	MH2MPU501G		22	Pedal	▲	2
2	Roller Guard	▲	1	23	Roll Pin	▲	2
3	Bolt	▲	1	24	Shaft	▲	2
4	Roller Bracket	▲	1	25	Cam	▲	2
5	Bushing	▲	1	26	Retaining Ring	▲	2
6	Roller	▲	1	27	Bolt	▲	2
7	Washer	▲	1	28	Nut	▲	2
8	Nut	▲	1	29	Nut	▲	2
9	Bolt	▲	1	30	Screw	▲	2
10	Complete Hydraulic Assembly	MH2MPU502G	1	31	Bolt	▲	2
11	Bolt	**	2	32	Spring	▲	2
	Wheel Kit	MH2MPU503G		33	Frame	▲	2
12	Bearing	▲	4	34	Foot	▲	2
13	Wheel	▲	2	35	Bolt	▲	4
14	Roll Pin	▲	2	36	Platform (2MPU7)	MH2MPU506G	1
15	Washer	▲	2		Platform (2MPU8)	MH2MPU601G	1
	Roller Assembly Kit	MH2MPU505G		37	Chain	MH2MPU507G	1
16	Axle	▲	4		Chain Adjustment Kit	MH2MPT209G	
17	Bushing	▲	4	38	Nut	▲	1
18	Roller	▲	4	39	Nut	▲	1
19	Washer	▲	4	40	Chain Adjustment Bolt	▲	1
20	Spring Washer	▲	4	41	Screw	**	8
21	Nut	▲	4	42	Caster	MH2MPU701G	2
				43	Nut	**	8

(▲) Available as part of kit only.

(*) Not available as repair part.

(**) Common hardware, not offered as a replacement part.

For Repair Parts, call 1-800-323-0620

24 hours a day – 365 days a year

Please provide following information:

- Model number
- Serial number (if any)
- Part description and number as shown in parts list

E
N
G
L
I
S
H

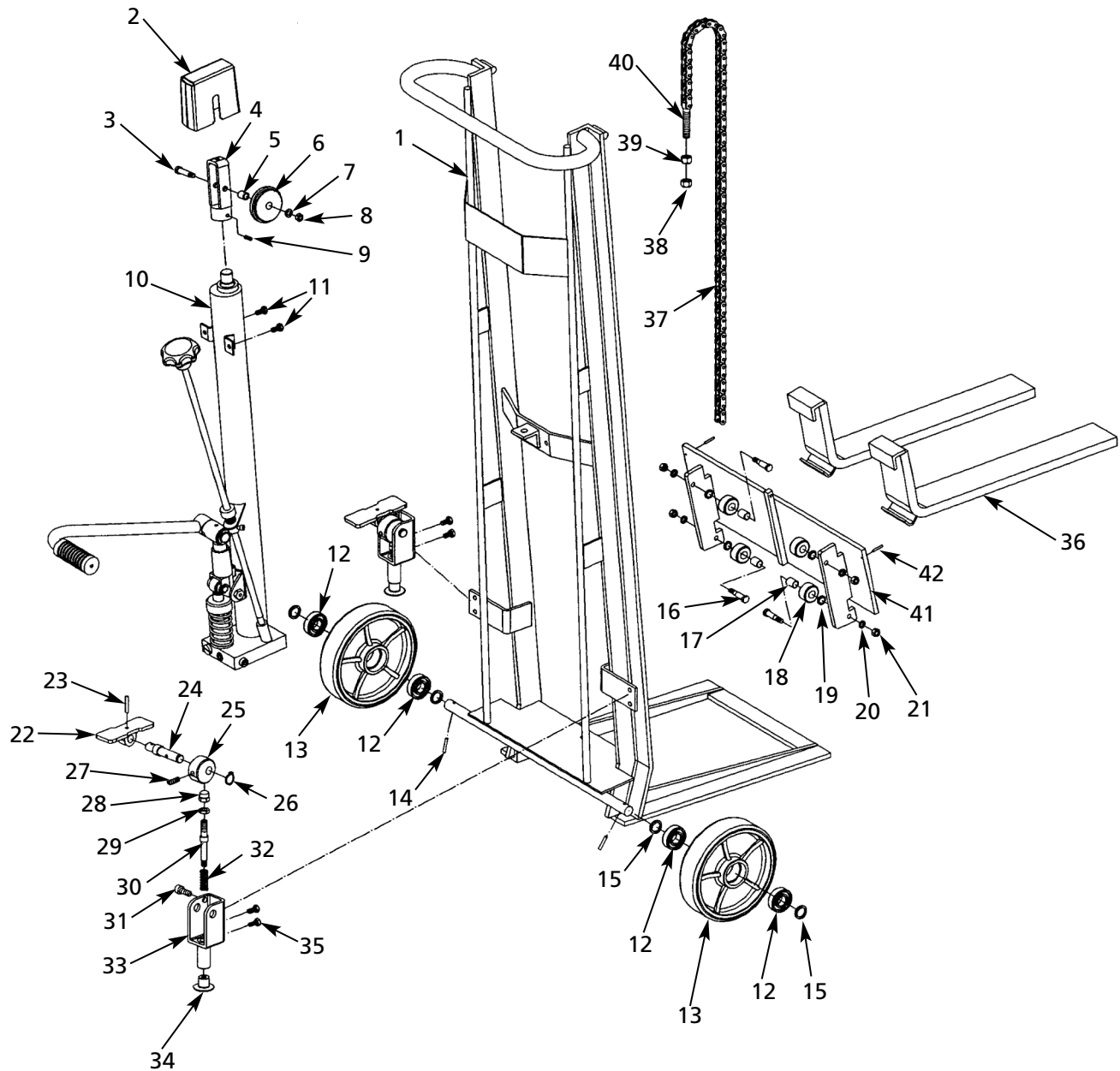


Figure 5 – Repair Parts Illustration for Fork Lift

Model 2MPU9

Repair Parts List for Fork Lift

Ref. No.	Description	Part No.	Qty.	Ref. No.	Description	Part No.	Qty.
1	Mast	*	1		Brake Kit	MH2MPU504G	
	Chain Roller Assembly Kit	MH2MPU501G		22	Pedal	▲	2
2	Roller Guard	▲	1	23	Roll Pin	▲	2
3	Bolt	▲	1	24	Shaft	▲	2
4	Roller Bracket	▲	1	25	Cam	▲	2
5	Bushing	▲	1	26	Retaining Ring	▲	2
6	Roller	▲	1	27	Bolt	▲	2
7	Washer	▲	1	28	Nut	▲	2
8	Nut	▲	1	29	Nut	▲	2
9	Bolt	▲	1	30	Screw	▲	2
10	Complete Hydraulic Assembly	MH2MPU502G	1	31	Bolt	▲	2
11	Bolt	**	2	32	Spring	▲	2
	Wheel Kit	MH2MPU503G		33	Frame	▲	2
12	Bearing	▲	4	34	Foot	▲	2
13	Wheel	▲	2	35	Bolt	▲	4
14	Roll Pin	▲	2	36	Fork	MH2MPU902G	4
15	Washer	▲	2	37	Chain	MH2MPU507G	1
	Roller Assembly Kit	MH2MPU505G			Chain Adjustment Kit	MH2MPT209G	
16	Axle	▲	4	38	Nut	▲	1
17	Bushing	▲	4	39	Nut	▲	1
18	Roller	▲	4	40	Chain Adjustment Bolt	▲	1
19	Washer	▲	4	41	Carriage	MH2MPU901G	4
20	Spring Washer	▲	4	42	Roll Pin	**	4
21	Nut	▲	4				

(▲) Available as part of kit only.

(*) Not available as repair part.

(**) Common hardware, not offered as a replacement part.

For Repair Parts, call 1-800-323-0620

24 hours a day – 365 days a year

Please provide following information:

- Model number
- Serial number (if any)
- Part description and number as shown in parts list

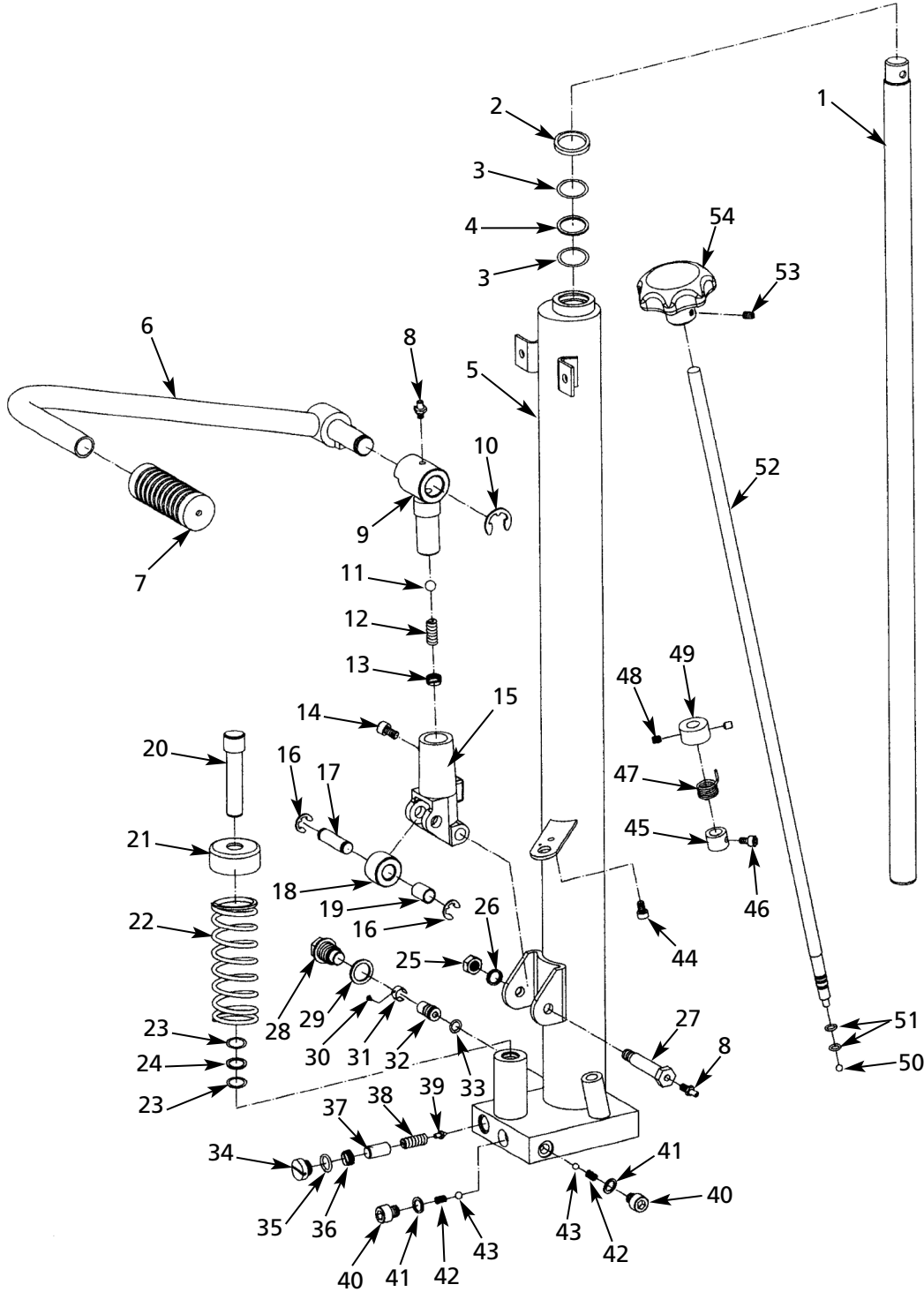


Figure 6 – Repair Parts Illustration for Pump Unit

ENGLISH

Models 2MPU5 thru 2MPU9

Repair Parts List for Pump Unit

Ref. No.	Description	Part No.	Qty.	Ref. No.	Description	Part No.	Qty.
1	Piston Rod	MH2MPU508G	1		Plug Kit #1	MH2MPT219G	
	Ring/Seal Kit	MH2MPT213G		28	Screw	▲	1
2	Dust Ring	▲	1	29	Seal Washer	▲	1
3	O-Ring	▲	1	30	Bolt	▲	1
4	Ring	▲	1	31	Liquid Throttle Sheath	▲	1
5	Pump Body	*	1	32	Valve Seat	▲	1
	Pedal Bar Kit	MH2MPT214G		33	O-Ring	▲	1
6	Pedal Bar	▲	2		Safety Valve Kit	MH2MPT220G	
7	Rubber Cover	▲	1	34	Screw	▲	1
	Pedal Seat Kit	MH2MPT215G		35	Ring	▲	1
8	Grease Cup	▲	1	36	Adjusting Bolt	▲	1
9	Pedal Bar Seat	▲	1	37	Pin	▲	1
10	Retaining Ring	▲	1	38	Spring	▲	1
11	Steel Ball	▲	1	39	Spindle	▲	1
12	Spring	▲	1		Plug Kit #2	MH2MPT221G	
13	Adjusting Bolt	▲	1	40	Bolt	▲	2
14	Bolt	▲	1	41	Seal Washer	▲	1
	Pedal Bracket Kit	MH2MPT216G		42	Spring	▲	1
15	Bracket	▲	1	43	Steel Ball	▲	1
16	Retaining Ring	▲	1		Fix Ring/Spring Kit	MH2MPT222G	
17	Shaft	▲	1	44	Bolt	▲	1
18	Pressure Roller	▲	1	45	Fix Ring	▲	1
19	Bushing	▲	1	46	Bolt	▲	1
	Pump Piston Kit	MH2MPT217G		47	Spring	▲	1
20	Pump Piston	▲	1	48	Bolt	▲	2
21	Spring Cap	▲	1	49	Valve Rod Fix Ring	▲	2
22	Spring	▲	2	50	Steel Ball	MH2MPT223G	2
23	O-Ring	▲	1		Valve Rod Kit	MH2MPT224G	
24	Ring	▲	1	51	O-Ring	▲	2
	Pivot Pin Assembly Kit	MH2MPT218G		52	Valve Rod	▲	1
8	Grease Cup	▲	1		Knob Assembly Kit	MH2MPT225G	
25	Nut	▲	1	53	Bolt	▲	1
26	Spring Washer	▲	1	54	Knob	▲	1
27	Bolt	▲	1				

(▲) Available as part of kit only.

(*) Not available as repair part.