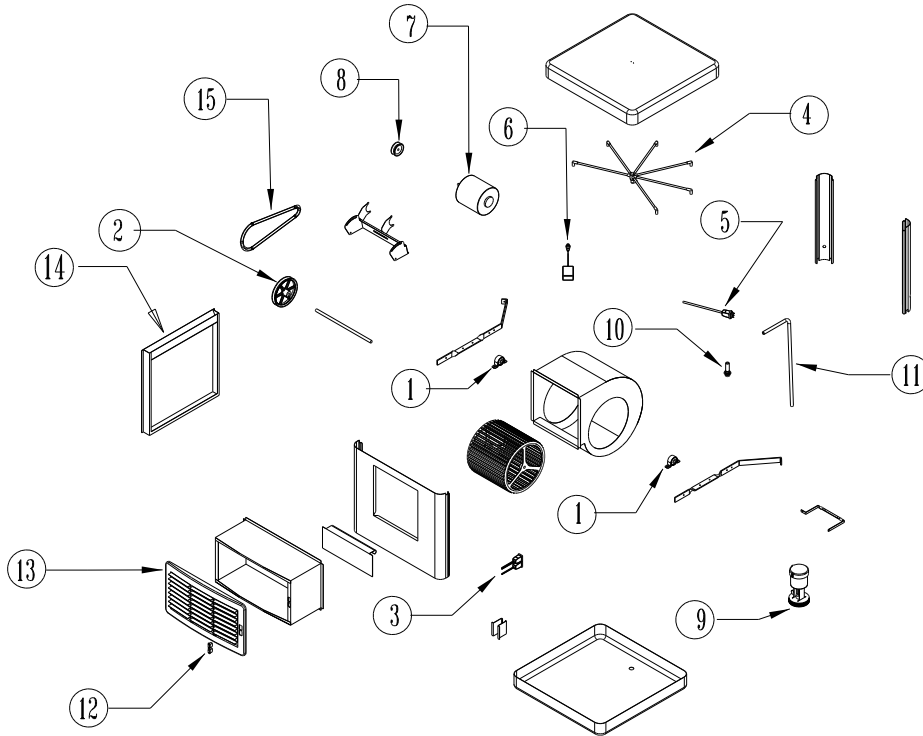


# Dayton® Evaporative Coolers

E  
N  
G  
L  
I  
S  
H

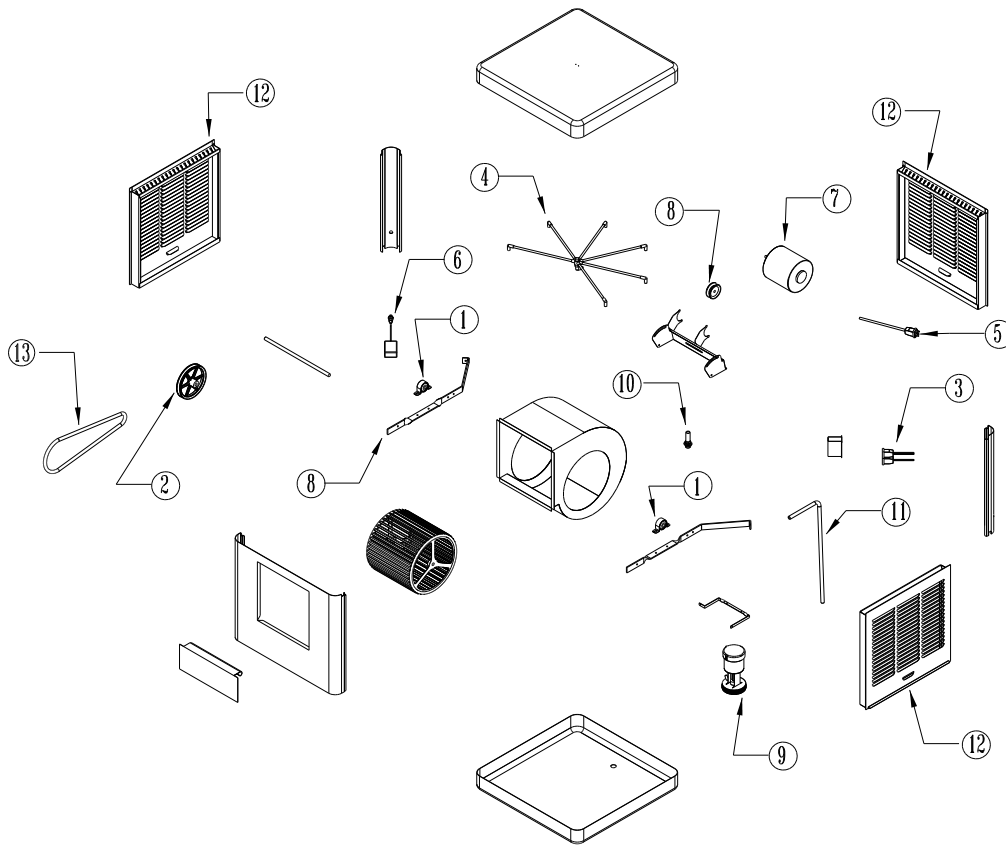


Repair Parts List for 4RNN6, 4RNN7 and 4RNN8

Ref No.	Description	4RNN6 Part No.	4RNN7 Part No.	4RNN8 Part No.	Qty
1	Bearings	2X529	2X529	N/A	2
2	Turbine Pulley	1L839	3X923	N/A	1
3	Motor & Pump Receptacles	HV120001G	HV120001G	HV120001G	1
4	Water Distributor	HV120003G	HV120003G	HV120002G	1
5	Motor Plug	HV120006G	HV120006G	HV120006G	1
6	Float	2X768	2X768	2X768	1
7	Motor	2HTK9	2HTK5	HV10007G	1
8	Adjustable Pulley	3X903	3X765	N/A	1
9	Water Pump	3CB58	3CB58	3CB58	1
10	Overflow Pipe	HV120009G	HV120009G	HV120009G	1
11	Water Hose	HV120010G	HV120010G	HV120010G	1
12	Motor & Pump Switches	HV120011G	HV120011G	HV120011G	1
13	Front Grill	HV120013G	HV120013G	HV120012G	1
14	Filter	HV120016G	HV120015G	HV120014G	1
15	V-Belt	6A148	3X699	N/A	1

# Dayton® Evaporative Coolers

E  
N  
G  
L  
I  
S  
H

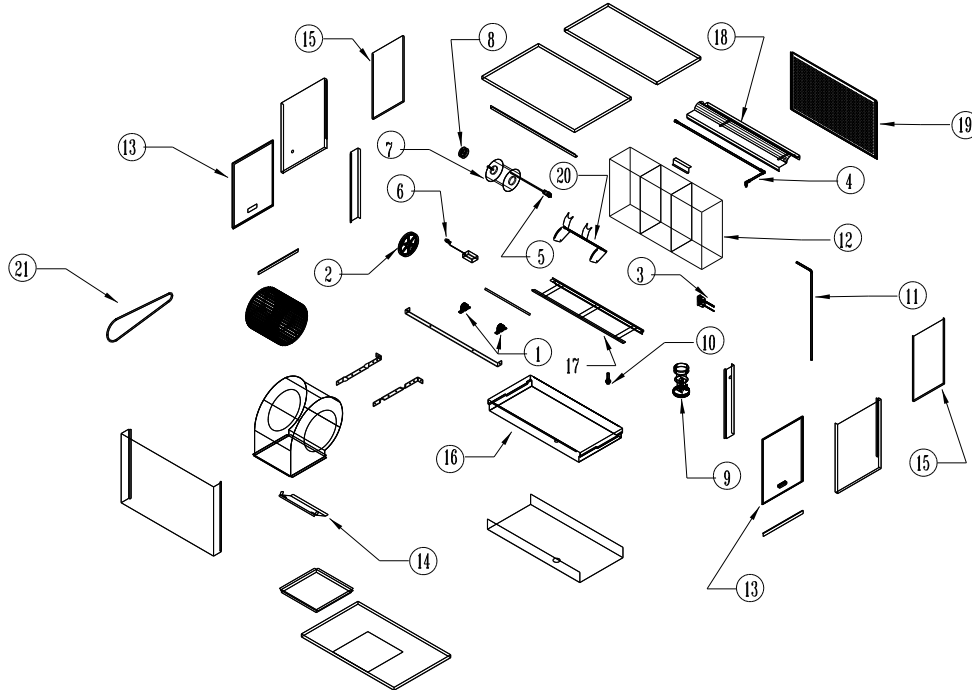


Repair Parts List for 4RNN9, 4RNP1, 4RNP2, 4RNP3, 4RNP4 and 4RNP5

Ref No.	Description	4RNN9 Part No.	4RNP1 Part No.	4RNP2 Part No.	4RNP3 Part No.	4RNP4 Part No.	4RNP5 Part No.	Qty
1	Bearings	2X531	2X529	2X529	2X531	2X529	2X529	2
2	Turbine Pulley	1L841	1L839	3X923	1L841	1L839	3X923	1
3	Motor & Pump Receptacles	HV120001G	HV120001G	HV120001G	HV120001G	HV120001G	HV120001G	1
4	Water Distributor	HV120004G	HV120004G	HV120004G	HV120003G	HV120003G	HV120003G	1
5	Motor Plug	HV120006G	HV120006G	HV120006G	HV120006G	HV120006G	HV120006G	1
6	Float	2X768	2X768	2X768	2X768	2X768	2X768	1
7	Motor	2HTL4	2HTK9	2HTK5	2HTL4	2HTK9	2HTK5	1
8	Adjustable Pulley	1X447	3X903	3X765	1X447	3X903	3X765	1
9	Water Pump	3CB58	3CB58	3CB58	3CB58	3CB58	3CB58	1
10	Overflow Pipe	HV120009G	HV120009G	HV120009G	HV120009G	HV120009G	HV120009G	1
11	Water Hose	HV120010G	HV120010G	HV120010G	HV120010G	HV120010G	HV120010G	1
12	Filter	HV120029G	HV120030G	HV120031G	HV120032G	HV120033G	HV120034G	1
13	V-Belt	3X547	3X704	3X621	3X547	6A148	3X699	1

# Dayton® Evaporative Coolers

E  
N  
G  
L  
I  
S  
H



Repair Parts List for 4RNP6, 4RNP7, 4RNP8, 4RNP9, 4RNR1, 4RNR2, 4RNR3, 4RNR4

Ref No.	Description	4RNP6 Part No.	4RNP7 Part No.	4RNP8 Part No.	4RNP9 Part No.	4RNR1 Part No.	4RNR2 Part No.	4RNR3 Part No.	4RNR4 Part No.	Qty
1	Bearings	2X531	2X531	2X529	2X529	2X531	2X531	2X529	2X529	2
2	Turbine Pulley	1L841	1L841	1L839	1L839	1L841	1L841	1L839	1L839	1
3	Motor & Pump Receptacles	HV120001G	HV120001G	HV120001G	HV120001G	HV120001G	HV120001G	HV120001G	HV120001G	1
4	Water Distributor	HV120005G	HV120005G	HV120005G	HV120005G	HV120005G	HV120005G	HV120005G	HV120005G	1
5	Motor Plug	HV120006G	HV120006G	HV120006G	HV120006G	HV120006G	HV120006G	HV120006G	HV120006G	1
6	Float	2X768	2X768	2X768	2X768	2X768	2X768	2X768	2X768	1
7	Motor	4UE42	4UE42	2HTL4	2HTL4	4UE42	4UE42	2HTL4	2HTL4	1
8	Adjustable Pulley	3LC28	3LC28	3X274	3X274	3LC28	3LC28	3X274	3X274	1
9	Water Pump	3CB58	3CB58	3CB58	3CB58	3CB58	3CB58	3CB58	3CB58	1
10	Overflow Pipe	HV120009G	HV120009G	HV120009G	HV120009G	HV120009G	HV120009G	HV120009G	HV120009G	1
11	Water Hose	HV120010G	HV120010G	HV120010G	HV120010G	HV120010G	HV120010G	HV120010G	HV120010G	1
12	Celdek®	4YC18	4YC18	4YC17	4YC17	4YC32	4YC33	4YC43	4YC43	1
13	Doors	HV120035G	HV120035G	HV120036G	HV120036G	HV120035G	HV120035G	HV120036G	HV120036G	2
14	Cutter	HV120037G	HV120037G	HV120038G	HV120038G	HV120037G	HV120037G	HV120038G	HV120038G	1
15	Wet Module Sideways	HV120017G	HV120017G	HV120017G	HV120017G	HV120018G	HV120018G	HV120019G	HV120019G	2
16	Thermoformed Tray	HV120020G	HV120020G	HV120020G	HV120020G	HV120021G	HV120021G	HV120021G	HV120021G	1
17	Celdek® Base	HV120022G	HV120022G	HV120022G	HV120022G	HV120023G	HV120023G	HV120023G	HV120023G	1
18	Land Fill	HV120025G	HV120025G	HV120025G	HV120025G	HV120026G	HV120026G	HV120026G	HV120026G	1
19	Protective Mesh	HV120027G	HV120027G	HV120028G	HV120028G	HV120027G	HV120027G	HV120028G	HV120028G	1
20	Motor Base	HV120039G	HV120039G	HV120040G	HV120040G	HV120039G	HV120039G	HV120040G	HV120040G	1
21	V-Belt	6A148	6A149	3X702	6A148	6A148	6A149	3X702	6A148	1