

DAYTON AIR-OPERATED DOUBLE DIAPHRAGM PUMP DATA SHEET 6PY37, 6PY38, 3HJV7



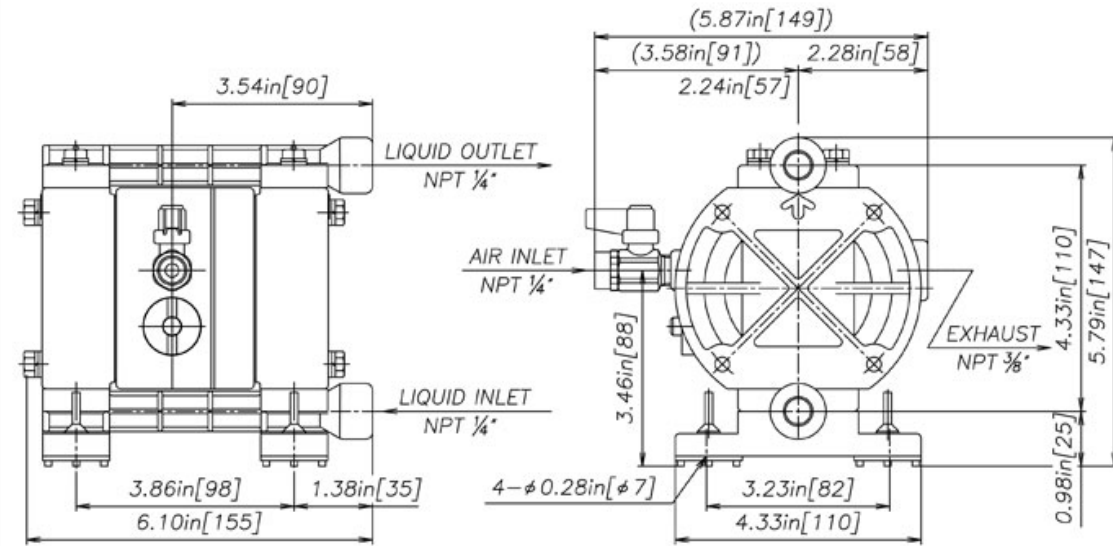
Technical Specs

	6PY37	6PY38	3HJV7
SHIPPING WEIGHT	4 LBS	4.7 LBS	4.7 LBS
MAXIMUM LIQUID TEMPERATURE	180°F (82°C)	180°F (82°C)	212°F (100°C)
INTAKE & DISCHARGE PORTS	1/4" SIDE-PORT, NPT	1/4" SIDE-PORT, NPT	1/4" SIDE-PORT, NPT
FLOW	0 - 3.25 GPM MAX	0 - 3.25 GPM MAX	0 - 3.25 GPM MAX
MAX AIR SUPPLY PRESSURE	100 PSI (1.4 - 7 KGF/CM ²)	100 PSI (1.4 - 7 KGF/CM ²)	100 PSI (1.4 - 7 KGF/CM ²)
BODY MATERIAL	POLYPROPYLENE	ACETAL	KYNAR®
LIFT - DRY, WET	5 FT, 28 FT	5 FT, 28 FT	5 FT, 28 FT
AIR VALVE			
LUBRICATION	NO LUBRICATION REQUIRED	NO LUBRICATION REQUIRED	NO LUBRICATION REQUIRED
MANUAL OVERRIDE	YES	YES	YES
LIQUID SIDE			
EASY REPAIR	YES	YES	YES
FLAT CHECK VALVES	PTFE	PTFE	PTFE
O-RINGS	PTFE	PTFE	PTFE
DIAPHRAGMS	PTFE	PTFE	PTFE

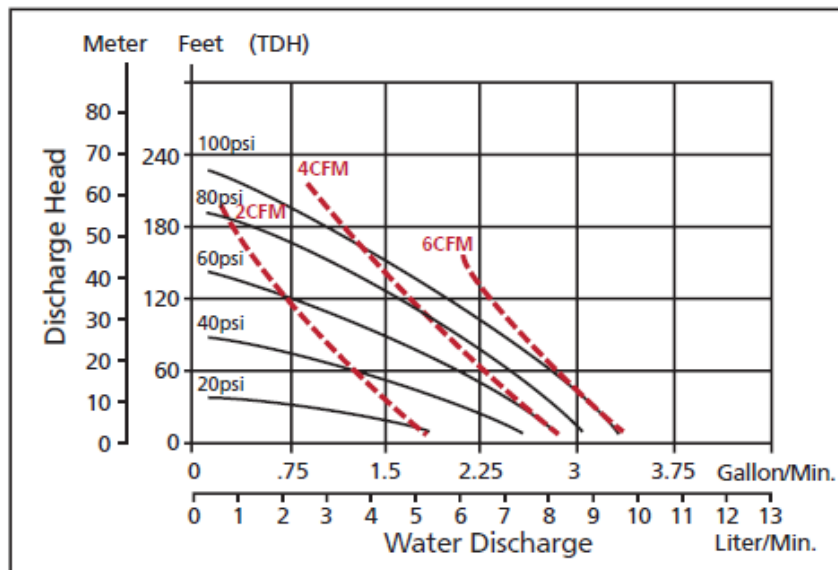
DAYTON AIR-OPERATED DOUBLE DIAPHRAGM PUMP

6PY37, 6PY38, 3HJV7

Dimensional Drawing



Performance Curve



Find it at Grainger.

Call or visit your local branch or go to grainger.com/dayton for complete product line information.

Dayton[®]