

Dayton DC Centrifugal Pumps



PUMPS technical data sheet

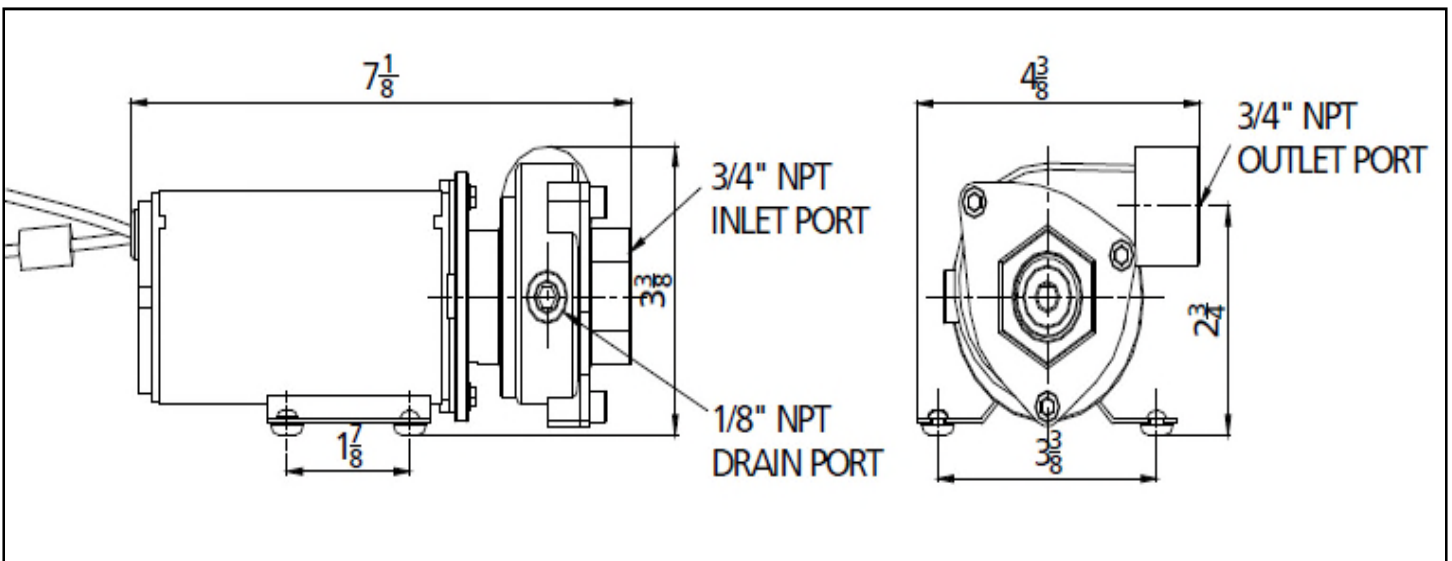
DC Centrifugal pumps are suitable for dewatering and liquid transfer where there are non-abrasive non flammable liquids compatible with the pump material make-up. General applications are: fluid transfer, filtration, condensate return, marine applications and irrigation.



Motor Shaft Material	430 Stainless Steel
Motor Housing Material	Painted Rolled Steel
Motor Duty	Intermittent
Motor Bearings	Dual Sealed Single Row Ball
Frequency (Hz)	N/A
RPM	5000
Motor Type	Enclosed DC
Bearing Lubrication	Permanently Lubricated
Volute Material	Brass
Impeller Type	Semi-Open
Impeller Material	Brass
Diffuser Material	Brass
Hardware Material	300 Stainless Steel
O-rings	Buna-N
Seal Type	Single Mechanical
Seal Materials	Carbon/Ceramic/Viton
Operation	Manual Operation
Power Connection	Stripped Leads
Max. Water Temperature	40-180° F
Max. Ambient Temperature	40° C
Designed Fluid Environment	Liquid Transfer, Circulating & Marine

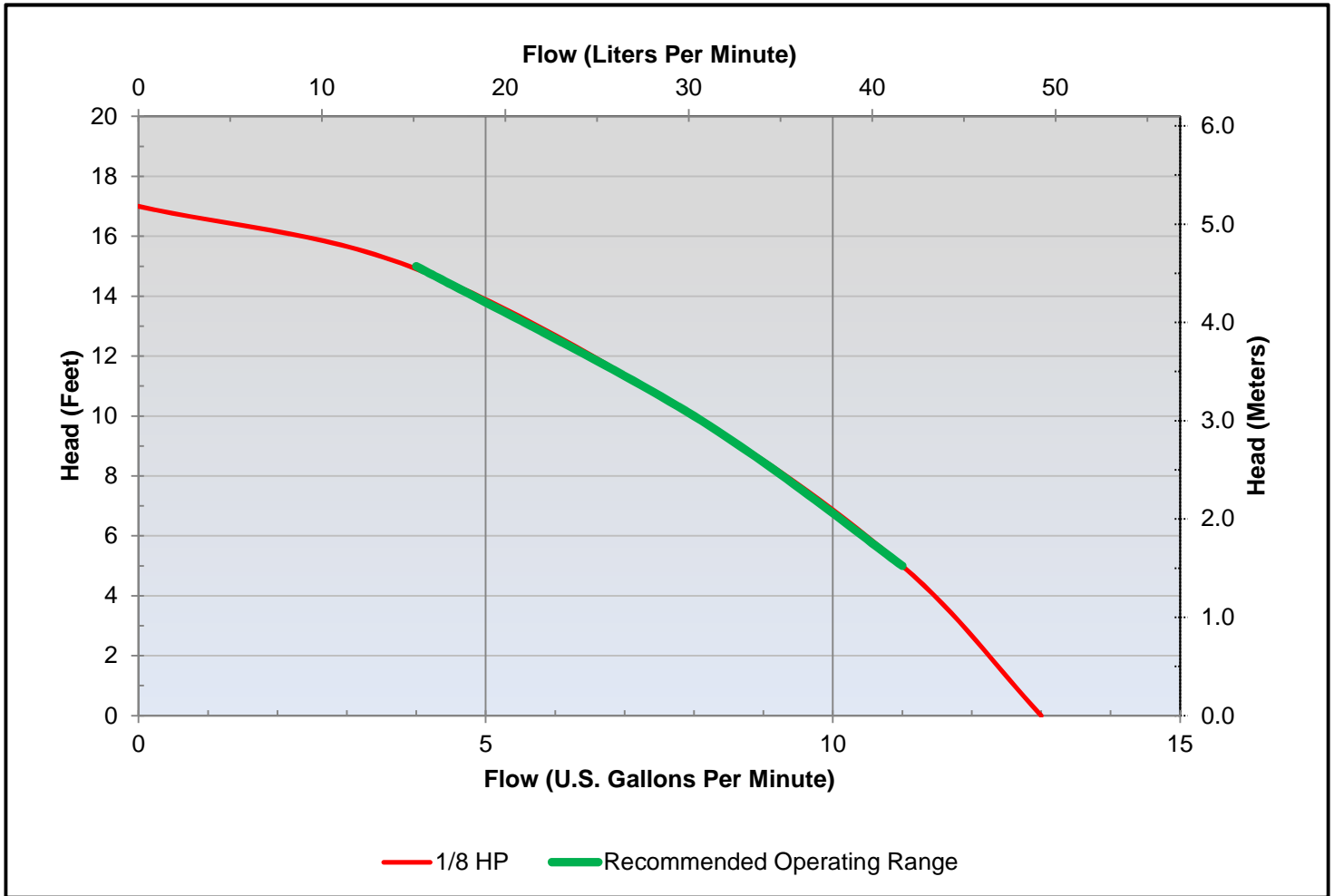
Brass DC Centrifugal Pumps

HP	1/8	1/8	1/8
Material Number	5PXX4	5PXW8	5PXW9
Voltage (DC)	12	24	36
Run Amps	8.5	4.5	3.0
Dimension L (Inch)	7-1/8	7-1/8	7-1/8
Dimension W (Inch)	4-3/8	4-3/8	4-3/8
Dimension H (Inch)	3-3/8	3-3/8	3-3/8



Performance Data

Head	Feet	0	5	10	15	17
	Meters	0	1.5	3.1	4.6	5.2
Flow Rate	GPM	13	11	8	4	0
	LPM	49	42	30	15	0



WARNING: Use only with nonflammable liquids compatible with pump component materials and in nonflammable/non-explosive atmospheres.

Call or visit your local branch or go to granger.com/dayton for complete product line information



Exclusively from Grainger.