

Dayton Sewage Pumps



PUMPS technical data sheet

Submersible Sewage pumps are designed to remove sewage wastewater from a residential home or commercial office. These pumps are designed to pass the typical suspended solids associated with sewage wastewater. Sewage pumps typically operate intermittently and automatically with a float switch and can accommodate solids up to 2" in diameter.

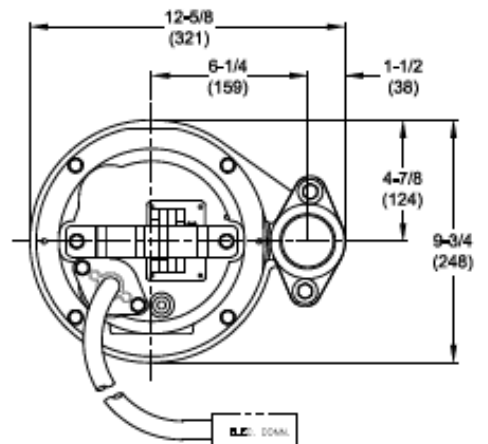
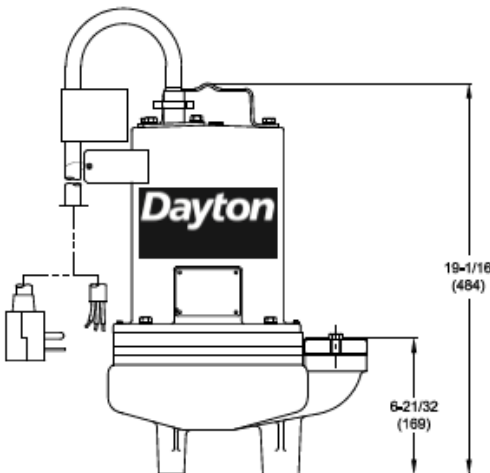


**4HU84
1 HP, Cast Iron
Submersible Sewage Pump**

HP	1
Voltage	480V
Phase	3
Frequency	60 Hz
Run Amps	3.7A
Start Amps	9.1A
RPM	3450
Motor Type	3-phase Hermetically Sealed/Oil Filled

Overload Protection	None - Requires Control Panel
Motor Shaft Material	Stainless Steel
Motor Housing Material	Cast Iron
Motor Duty	Continuous
Motor End Bearing	Single Row Ball
Pump End Bearing	Single Row Ball
Lubrication	Oil Lubricated
Discharge	2 Inch Flanged, Vertical
Volute Material	Cast Iron
Base Material	Cast Iron
Impeller Type	Open Vortex
Impeller Material	Cast Iron
Hardware Material	Stainless Steel
O-rings	Buna-N
Seal Type	Single Mechanical
Seal Materials	Silicon Carbide/Silicon Carbide/Buna N
Operation	Manual Operation
Power Cord	14/4 SOW, 20' (6.1m), Stripped Leads
Max. Solids Handling	2" (51mm) spherical
Max. Water Temperature	104°F (40°C)
Designed Fluid Environment	Water / Sewage Wastewater

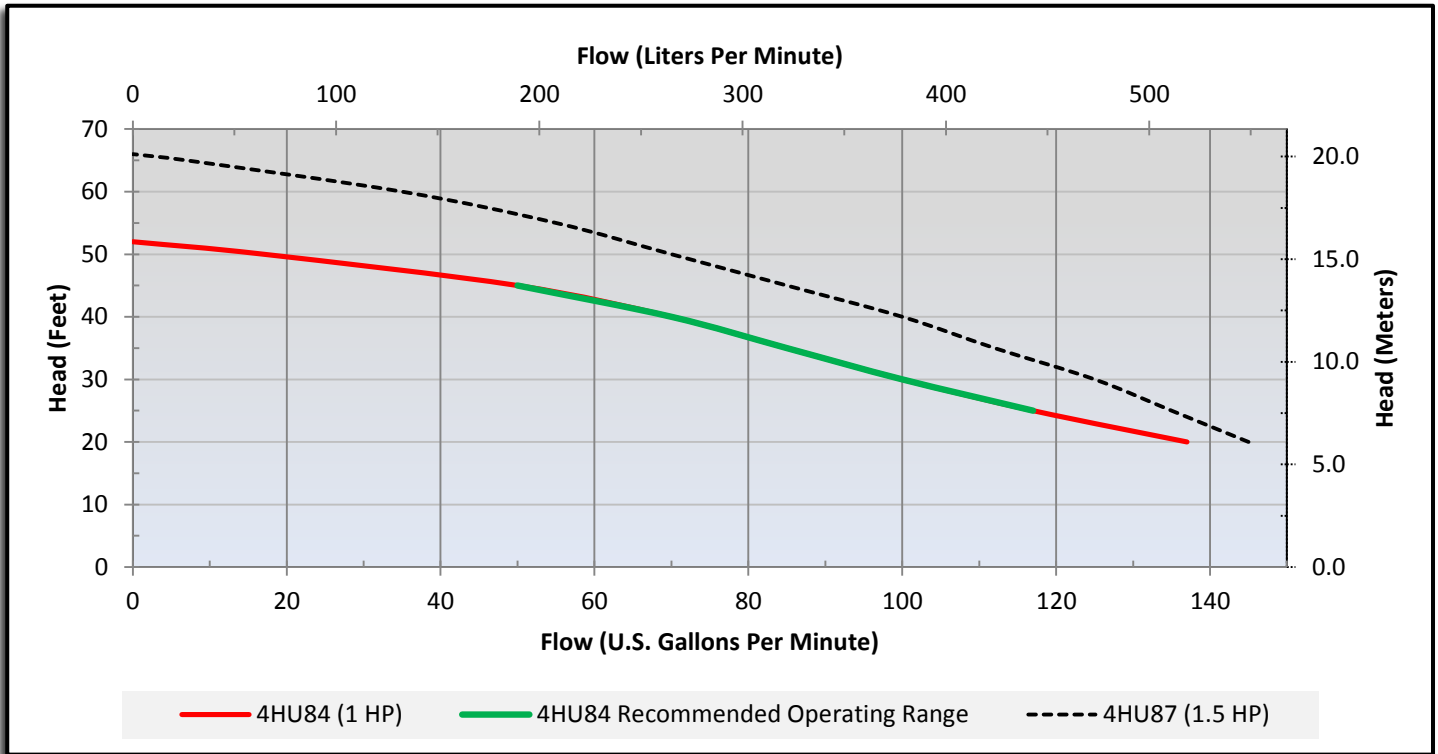
Outline Dimensions



Performance Data

Head	Feet	20	25	30	35	40	45	50	52
	Meters	6.1	7.6	9.1	10.7	12.2	13.7	15.2	15.9
Flow Rate	GPM	137	117	100	85	70	50	17	0
	LPM	519	443	379	322	265	189	64	0

Performance Chart



WARNING: Use only with nonflammable liquids compatible with pump component materials and in nonflammable/nonexplosive atmospheres.

Call or visit your local branch or go to grainger.com/dayton for complete product line information



Find it at Grainger.

© 2013 W.W. Grainger, Inc.