

Dayton Sump Pumps

PUMPS technical data sheet



Dayton Sump Pumps are designed to handle water that will not drain by gravity. These pumps can be located in foundation drains in homes or buildings, parking lots, rainfall pooling in low land areas, manholes, retention ponds and truck docks.

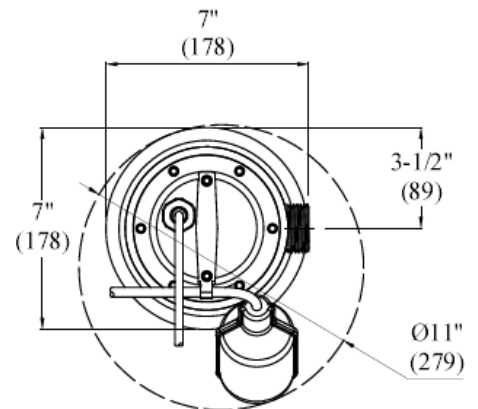
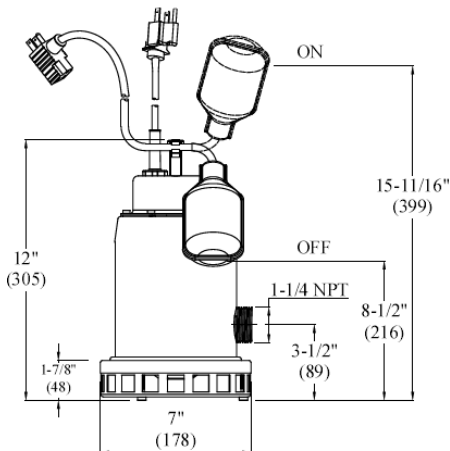


3YU76
3/4 HP, Stainless Steel
Submersible Sump Pump

Overload Protection	Internal Thermal Overload
Motor Shaft Material	Stainless Steel
Motor Housing Material	Stainless Steel
Motor Duty	Continuous
Motor End Bearing	Single Row Ball
Pump End Bearing	Single Row Ball
Lubrication	Permanently Lubricated
Discharge	1-1/4 Inch MNPT, Vertical
Volute Material	Stainless Steel
Base Material	Stainless Steel
Impeller Type	Stainless Steel
Impeller Material	Stainless Steel
Hardware Material	Stainless Steel
O-rings	Buna-N
Seal Type	Single Mechanical
Seal Materials	Carbon/Ceramic/Buna-N
Operation	Automatic / Tethered Switch
Power Cord	18/3 SJTOW, 15' (4.6m), NEMA 5-15P 120V Plug
Max. Solids Handling	3/4" (19mm) spherical
Max. Water Temperature	140°F (60°C)
Designed Fluid Environment	Water / Wastewater
Switch Type	Tethered PVC Snap Action
Switch Cord	15' (4.6m) SJOW Power Cord
Switch Plug	NEMA 5-15P Piggyback Plug
Switch Max. Run Amps	10A
Switch Max. Start Amps	60A
Switch Pumping Range	On at 15" (381mm) Off at 8.3" (211mm)

HP	3/4
Voltage	115V
Phase	Single
Frequency	60 Hz
Run Amps	6.4A
RPM	3450
Motor Type	PSC

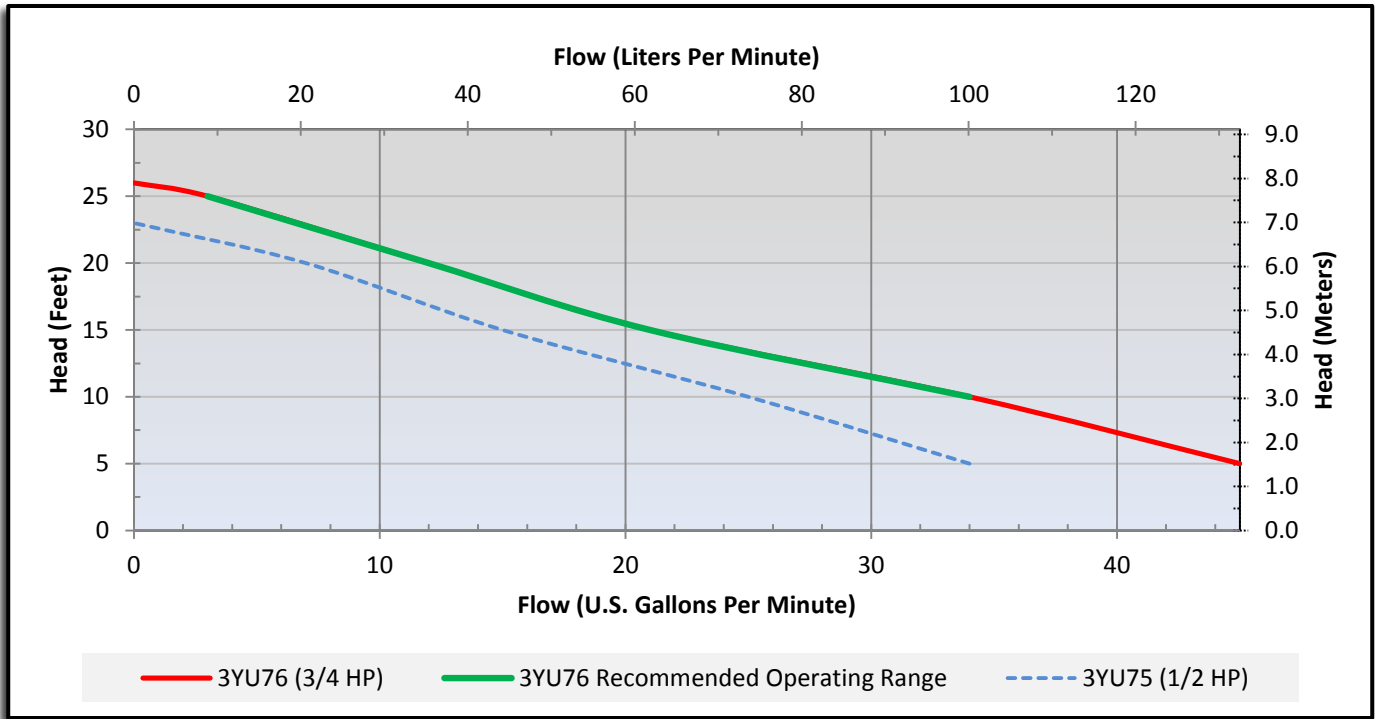
Outline Dimensions



Performance Data

Head	Feet	5	10	15	20	25	26
	Meters	1.5	3.1	4.6	6.1	7.6	7.9
Flow Rate	GPM	45	34	21	12	3	0
	LPM	170	129	79	45	11	0

Performance Chart



WARNING: Use only with nonflammable liquids compatible with pump component materials and in nonflammable/non-explosive atmospheres.

Call or visit your local branch or go to granger.com/dayton for complete product line information



Find it at Grainger.

© 2013 W.W. Grainger, Inc.