

# Dayton Sump Pumps

## PUMPS technical data sheet



Dayton Sump Pumps are designed to handle water that will not drain by gravity. These pumps can be located in foundation drains in homes or buildings, parking lots, rainfall pooling in low land areas, manholes, retention ponds and truck docks.

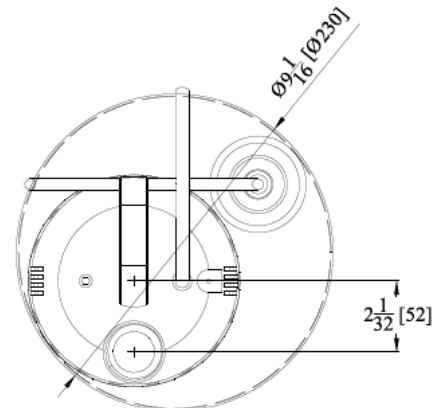
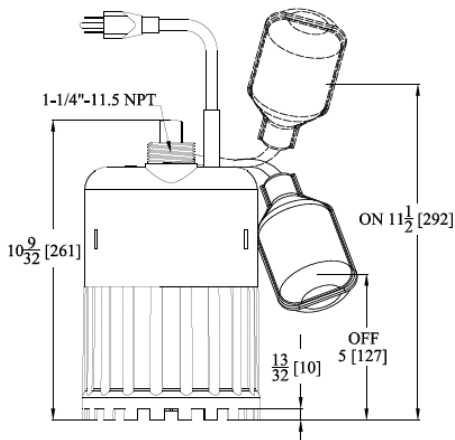


**3YU66**  
**1/4 HP, Thermoplastic**  
**Submersible Sump Pump**

<b>HP</b>	1/4
<b>Voltage</b>	115V
<b>Phase</b>	Single
<b>Frequency</b>	60 Hz
<b>Run Amps</b>	1.5A
<b>RPM</b>	3450
<b>Motor Type</b>	PSC

<b>Overload Protection</b>	Internal Thermal Overload
<b>Motor Shaft Material</b>	Stainless Steel
<b>Motor Housing Material</b>	Polypropylene
<b>Motor Duty</b>	Intermittent
<b>Motor End Bearing</b>	Single Row Ball
<b>Pump End Bearing</b>	Single Row Ball
<b>Lubrication</b>	Permanently Lubricated
<b>Discharge</b>	1-1/4 Inch MNPT, Vertical
<b>Volute Material</b>	Polypropylene
<b>Base Material</b>	Polypropylene
<b>Impeller Type</b>	Open Vortex
<b>Impeller Material</b>	Polyamide
<b>Hardware Material</b>	Stainless Steel
<b>O-rings</b>	Buna-N
<b>Seal Type</b>	Single Mechanical
<b>Seal Materials</b>	Carbon/Ceramic/Buna-N
<b>Operation</b>	Automatic / Tethered Switch
<b>Power Cord</b>	18/3 SJTOW, 10' (3m), NEMA 5-15P 120V Plug
<b>Max. Solids Handling</b>	1/8" (3.2mm) spherical
<b>Max. Water Temperature</b>	140°F (60°C)
<b>Designed Fluid Environment</b>	Water / Wastewater
<b>Switch Type</b>	Tethered PVC Snap Action
<b>Switch Cord</b>	10' (3m) SJOW Power Cord
<b>Switch Plug</b>	NEMA 5-15P Piggyback Plug
<b>Switch Max. Run Amps</b>	10A
<b>Switch Max. Start Amps</b>	60A
<b>Switch Pumping Range</b>	On at 11.5" (292mm) Off at 5" (127mm)

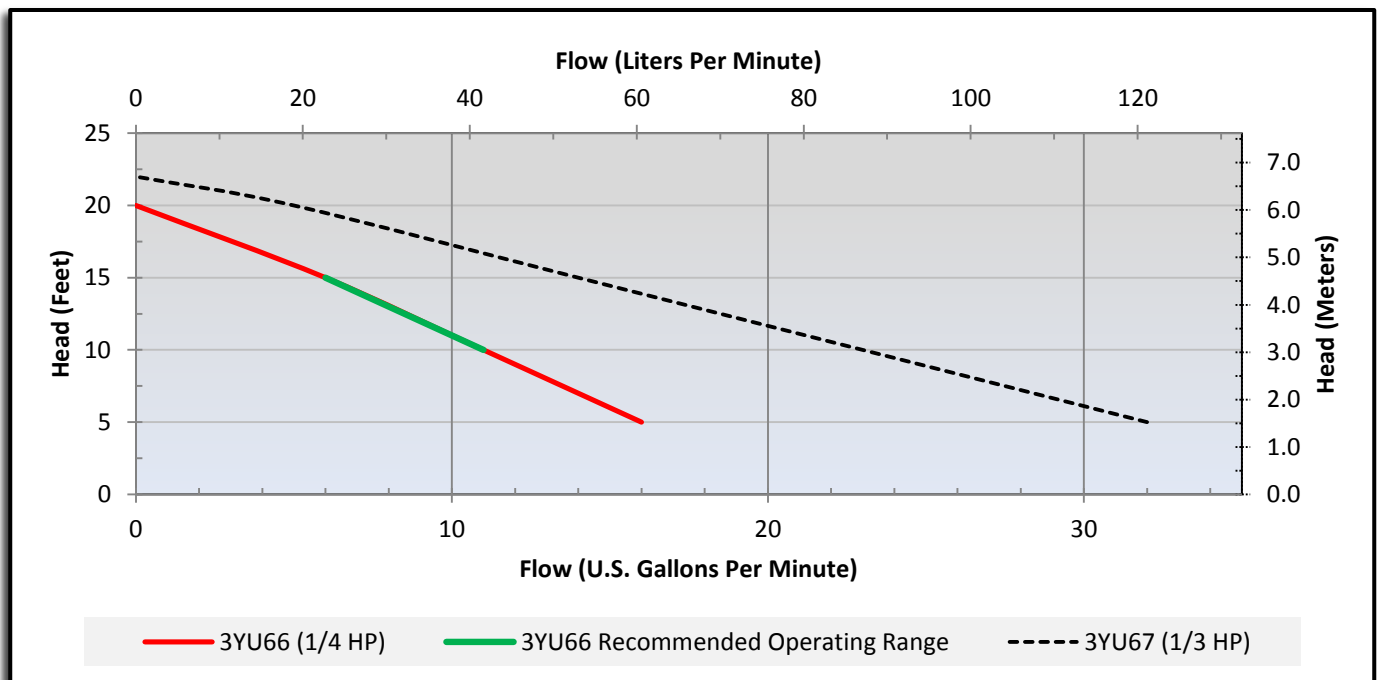
### Outline Dimensions



## Performance Data

Head	Feet	5	10	15	20
	Meters	1.5	3.1	4.6	6.1
Flow Rate	GPM	16	11	6	0
	LPM	61	42	23	0

## Performance Chart



**WARNING:** Use only with nonflammable liquids compatible with pump component materials and in nonflammable/non-explosive atmospheres.

Call or visit your local branch or go to [granger.com/dayton](http://granger.com/dayton) for complete product line information



Find it at Grainger.

© 2013 W.W. Grainger, Inc.