



Dayton Sump Pumps

PUMPS technical data sheet

Dayton Sump Pumps are designed to handle water that will not drain by gravity. These pumps can be located in foundation drains in homes or buildings, parking lots, rainfall pooling in low land areas, manholes, retention ponds and truck docks.

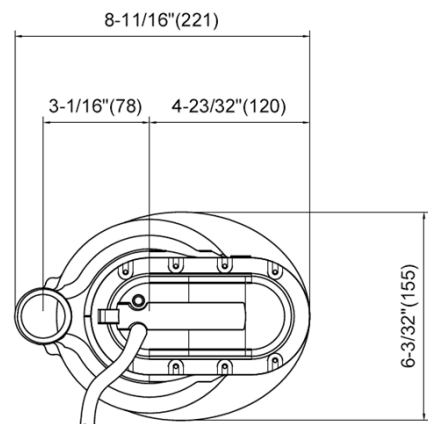
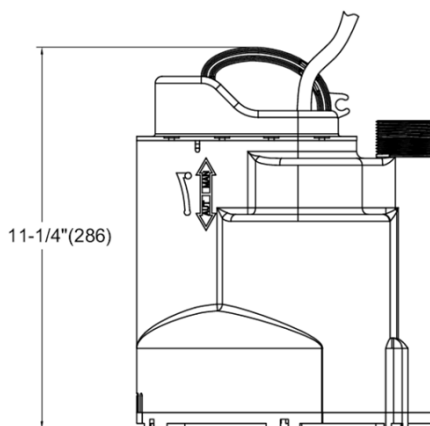


3YU58 1/3 HP, Thermoplastic Submersible Sump Pump

HP	1/3
Voltage	115V
Phase	Single
Frequency	60 Hz
Run Amps	2.5A
RPM	3450
Motor Type	PSC

Overload Protection	Internal Thermal Overload
Motor Shaft Material	Stainless Steel
Motor Housing Material	Polypropylene
Motor Duty	Intermittent
Motor End Bearing	Single Row Ball
Pump End Bearing	Single Row Ball
Lubrication	Permanently Lubricated
Discharge	1-1/4 Inch MNPT, Vertical
Volute Material	Polypropylene
Base Material	Polypropylene
Impeller Type	Open Vortex
Impeller Material	Polyamide
Hardware Material	Stainless Steel
O-rings	Buna-N
Seal Type	Single Mechanical
Seal Materials	Carbon/Ceramic/Buna-N
Operation	Electronic Vertical
Power Cord	18/3 SJTOW, 10' (3m), NEMA 5-15P 120V Plug
Max. Solids Handling	1/8" (3.2mm) spherical
Max. Water Temperature	140°F (60°C)
Designed Fluid Environment	Water / Wastewater
Switch Type	Vertical
Switch Pumping Range	On at 4.9" (150mm) Off at 1.77" (35mm)

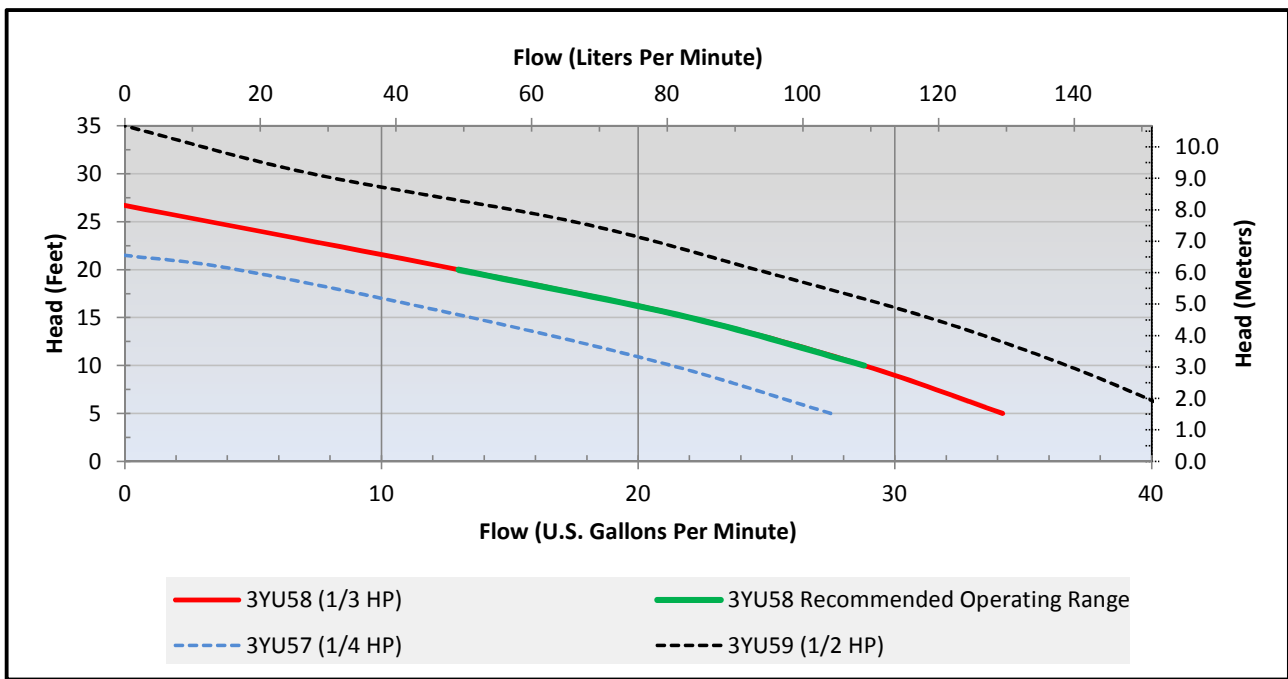
Outline Dimensions



Performance Data

Head	Feet	5	10	15	20	27
	Meters	1.5	3.1	4.6	6.1	8.1
Flow Rate	GPM	34	29	22	13	0
	LPM	129	109	83	49	0

Performance Chart



WARNING: Use only with nonflammable liquids compatible with pump component materials and in nonflammable/non-explosive atmospheres.

Call or visit your local branch or go to www.grainger.com/daytonpumps for complete product line information



Exclusively from Grainger.