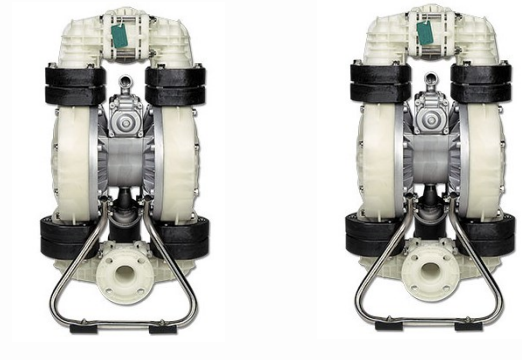


DAYTON AIR-OPERATED DOUBLE DIAPHRAGM PUMP DATA SHEET 3HJW4, 3HJW6



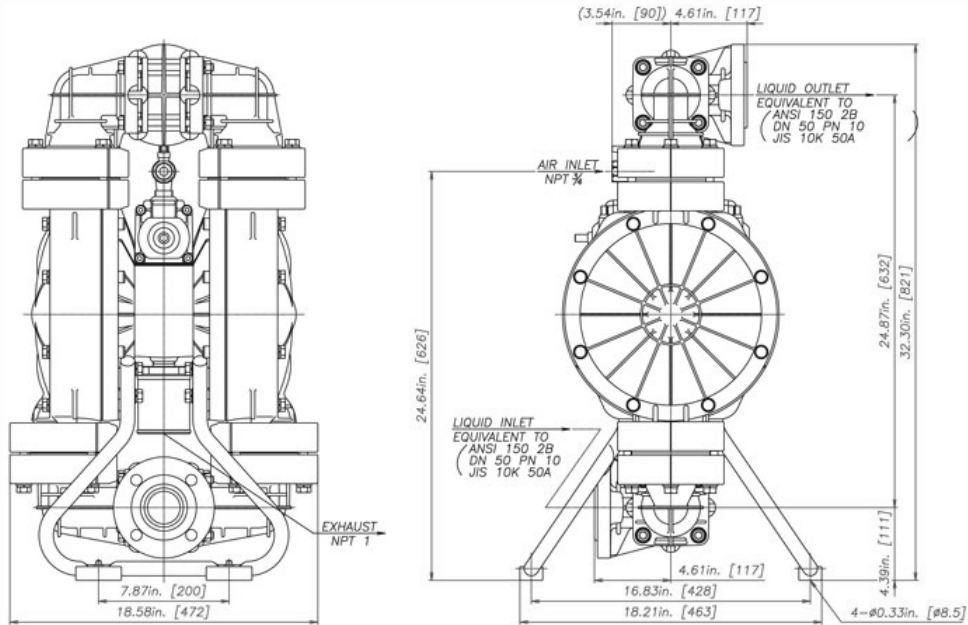
Technical Specs

	3HJW4	3HJW6
SHIPPING WEIGHT	105.0 LBS	111.0 LBS
MAXIMUM LIQUID TEMPERATURE	180°F (82°C)	180°F (82°C)
INTAKE & DISCHARGE PORTS	2" PORT, FLANGED	2" PORT, FLANGED
FLOW	0 - 120 GPM MAX	0 - 160 GPM MAX
MAX AIR SUPPLY PRESSURE	100 PSI (1.4 - 7 KGF/CM ²)	100 PSI (1.4 - 7 KGF/CM ²)
BODY MATERIAL	POLYPROPYLENE	POLYPROPYLENE
LIFT-DRY, WET	15 FT, 28 FT	19FT, 28 FT
AIR VALVE		
LUBRICATION	NO LUBRICATION REQUIRED	NO LUBRICATION REQUIRED
MANUAL OVERRIDE	YES	YES
LIQUID SIDE		
EASY REPAIR	YES	YES
BALL CHECK VALVE	PTFE	EPDM
O-RINGS	PTFE	EPDM
DIAPHRAGMS	PTFE	SANTOPRENE®

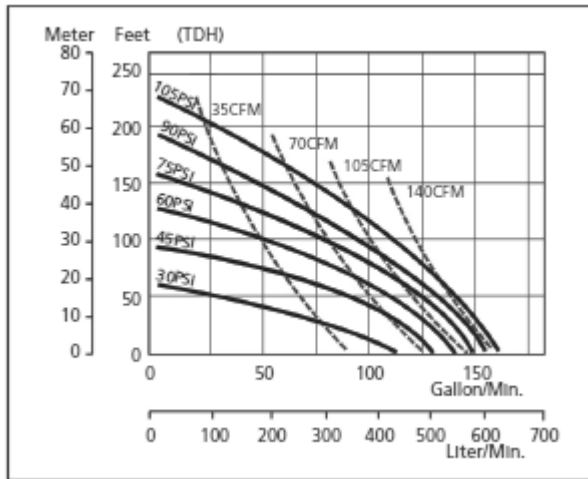
DAYTON AIR-OPERATED DOUBLE DIAPHRAGM PUMP

3HJW4, 3HJW6

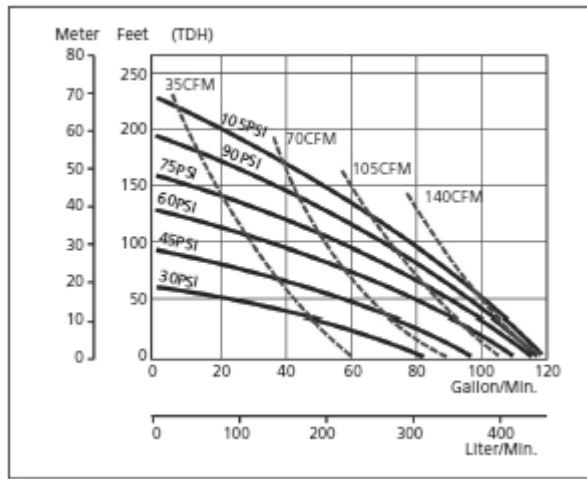
Dimensional Drawing



Performance Curve



3HJW4



3HJW6

Find it at Grainger.

Call or visit your local branch or go to grainger.com/dayton for complete product line information.

