

# DAYTON AIR-OPERATED DOUBLE DIAPHRAGM PUMP

## DATA SHEET 3HJW2, 3HJV9



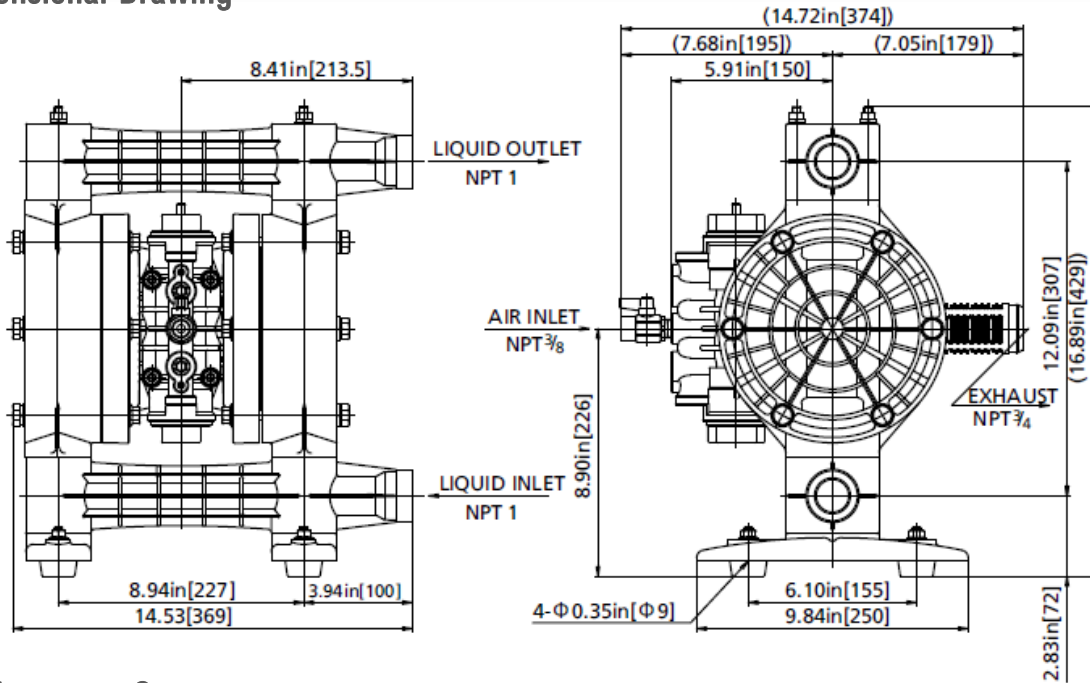
### Technical Specs

	3HJW2	3HJV9
SHIPPING WEIGHT	30.6 LBS	30.55 LBS
MAXIMUM LIQUID TEMPERATURE	212°F (100°C)	212°F (100°C)
INTAKE & DISCHARGE PORTS	1" SIDE-PORT, NPT	1" SIDE-PORT, NPT
FLOW	0 - 49 GPM MAX	0 - 35 GPM MAX
MAX AIR SUPPLY PRESSURE	100 PSI (1.4 - 7 KGF/CM <sup>2</sup> )	100 PSI (1.4 - 7 KGF/CM <sup>2</sup> )
BODY MATERIAL	KYNAR®	KYNAR®
LIFT - DRY, WET	18 FT, 28 FT	15 FT, 28 FT
<b>AIR VALVE</b>		
LUBRICATION	NO LUBRICATION REQUIRED	NO LUBRICATION REQUIRED
MANUAL OVERRIDE	YES	YES
<b>LIQUID SIDE</b>		
EASY REPAIR	YES	YES
BALL CHECK VALVE	EPDM	PTFE
O-RINGS	EPDM	PTFE
DIAPHRAGMS	SANTOPRENE®	PTFE

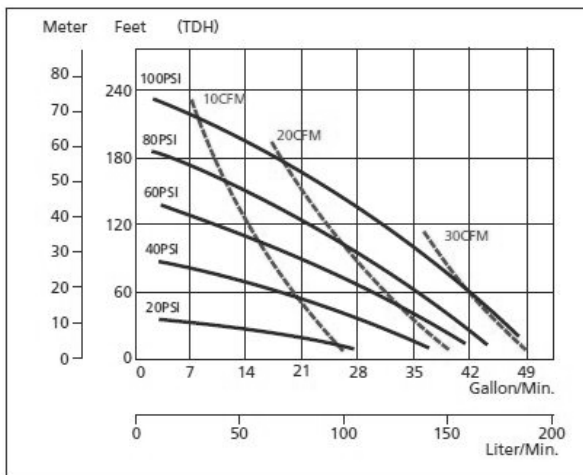
# DAYTON AIR-OPERATED DOUBLE DIAPHRAGM PUMP

3HJW2, 3HJV9

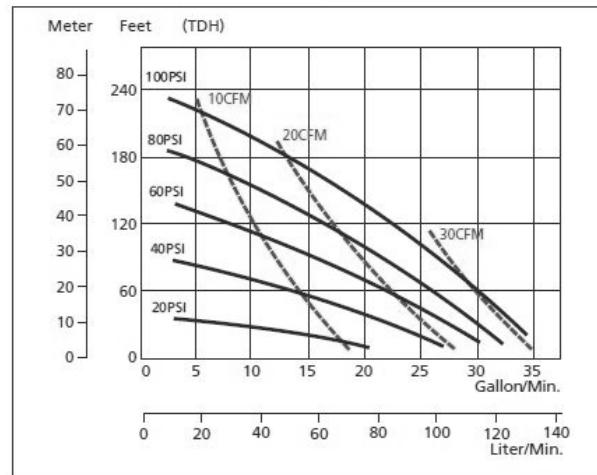
## Dimensional Drawing



## Performance Curve



3HJW2



3HJV9

Find it at Grainger.

Call or visit your local branch or go to [grainger.com/dayton](http://grainger.com/dayton) for complete product line information.

