



### Technical Specs

22A602

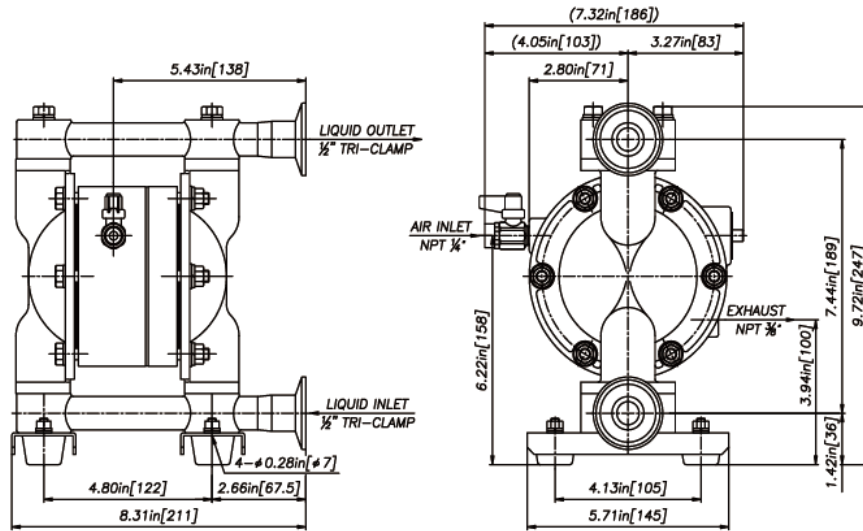
22A603

SHIPPING WEIGHT	15.5 LBS	15.5 LBS
MAXIMUM LIQUID TEMPERATURE	212°F (100°C)	212°F (100°C)
INTAKE & DISCHARGE PORTS	1" PORT, SANITARY CLAMP	1" PORT, SANITARY CLAMP
FLOW	0 - 14 GPM MAX	0 - 14 GPM MAX
MAX AIR SUPPLY PRESSURE	100 PSI (1.4 - 7 KGF/CM <sup>2</sup> )	100 PSI (1.4 - 7 KGF/CM <sup>2</sup> )
BODY MATERIAL	316 STAINLESS STEEL	316 STAINLESS STEEL
LIFT-DRY, WET	5 FT, 28 FT	5FT, 28 FT
<b>AIR VALVE</b>		
LUBRICATION	NO LUBRICATION REQUIRED	NO LUBRICATION REQUIRED
MANUAL OVERRIDE	YES	YES
<b>LIQUID SIDE</b>		
EASY REPAIR	YES	YES
BALL CHECK VALVE	PTFE	PTFE
O-RINGS	PTFE	PTFE
DIAPHRAGMS	PTFE	HYTREL

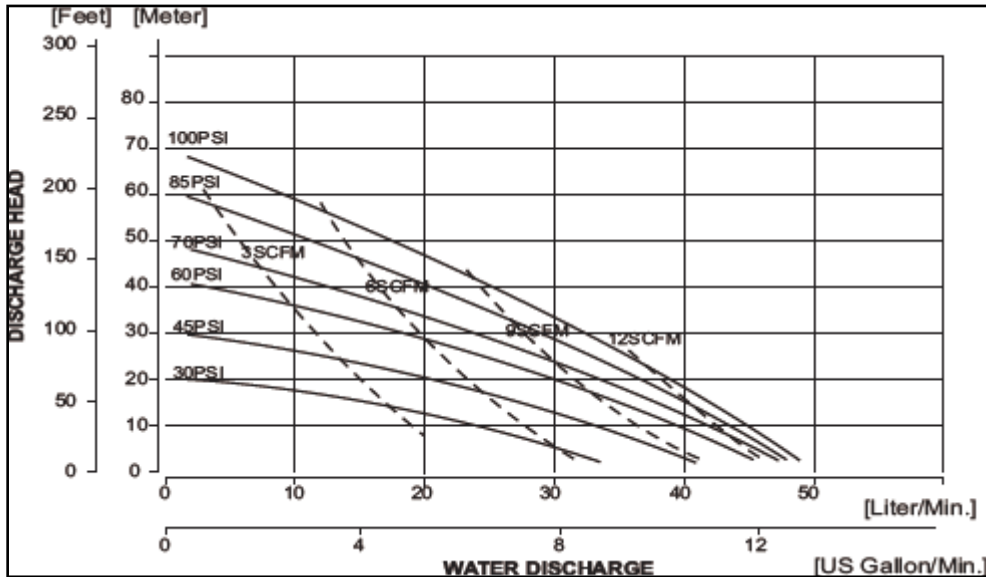
# DAYTON AIR-OPERATED DOUBLE DIAPHRAGM PUMP

22A602, 22A603

## Dimensional Drawing



## Performance Curve



Find it at Grainger.

Call or visit your local branch or go to [grainger.com/dayton](http://grainger.com/dayton) for complete product line information.

**Dayton**®