

Dayton Grinder Pumps



PUMPS technical data sheet

Submersible Grinder pumps are designed to remove raw sewage wastewater from residential or commercial applications. Grinder pumps macerate solids contained in normal sewage or waste into fine slurry that can be pumped through small diameter piping to a sewage collection / treatment system for final processing. Grinder pumps can lift sewage to high elevations for pressure sewer applications.

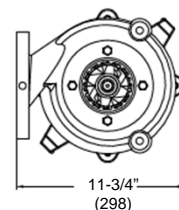
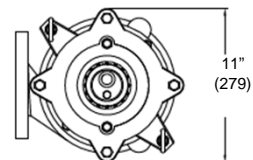
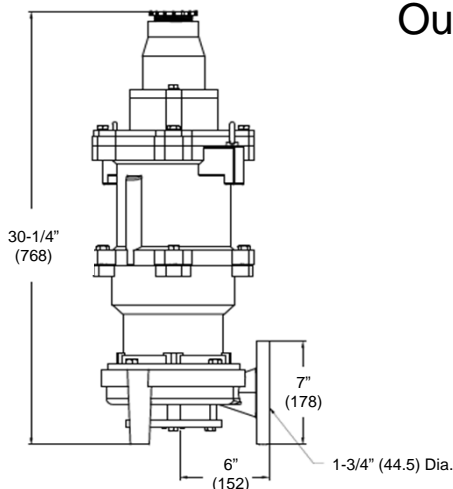


12T651 7½ HP, Cast Iron Submersible Grinder Pump

HP	7.5
Voltage	230V
Phase	3
Frequency	60 Hz
Run Amps	24.6A
Start Amps	154A
RPM	3450

Motor Type	3-phase Oil-filled with Class H insulation
Overload Protection	None - Requires Control Panel
Motor Shaft Material	Stainless Steel
Motor Housing Material	Cast Iron
Motor Duty	Continuous
Motor End Bearing	Single Row Ball
Pump End Bearing	Single Row Ball
Lubrication	Oil Lubricated
Discharge	2-1/2 Inch Flanged, Horizontal
Volute Material	Cast Iron
Base Material	Cast Iron
Impeller Type	Open Vortex
Impeller Material	Brass
Hardware Material	Stainless Steel
Cutter and Ring	440C Stainless Steel
O-rings	Buna-N
Seal Type	Dual Mechanical
Seal Materials	Silicon Carbide/Ceramic/Buna-N
Operation	Manual Operation
Power Cord	8/4 SOW, 20' (6.1m), Stripped Leads
Max. Water Temperature	140°F (60°C) Intermittent 104°F (40°C) Continuous
Designed Fluid Environment	Water / Sewage Wastewater

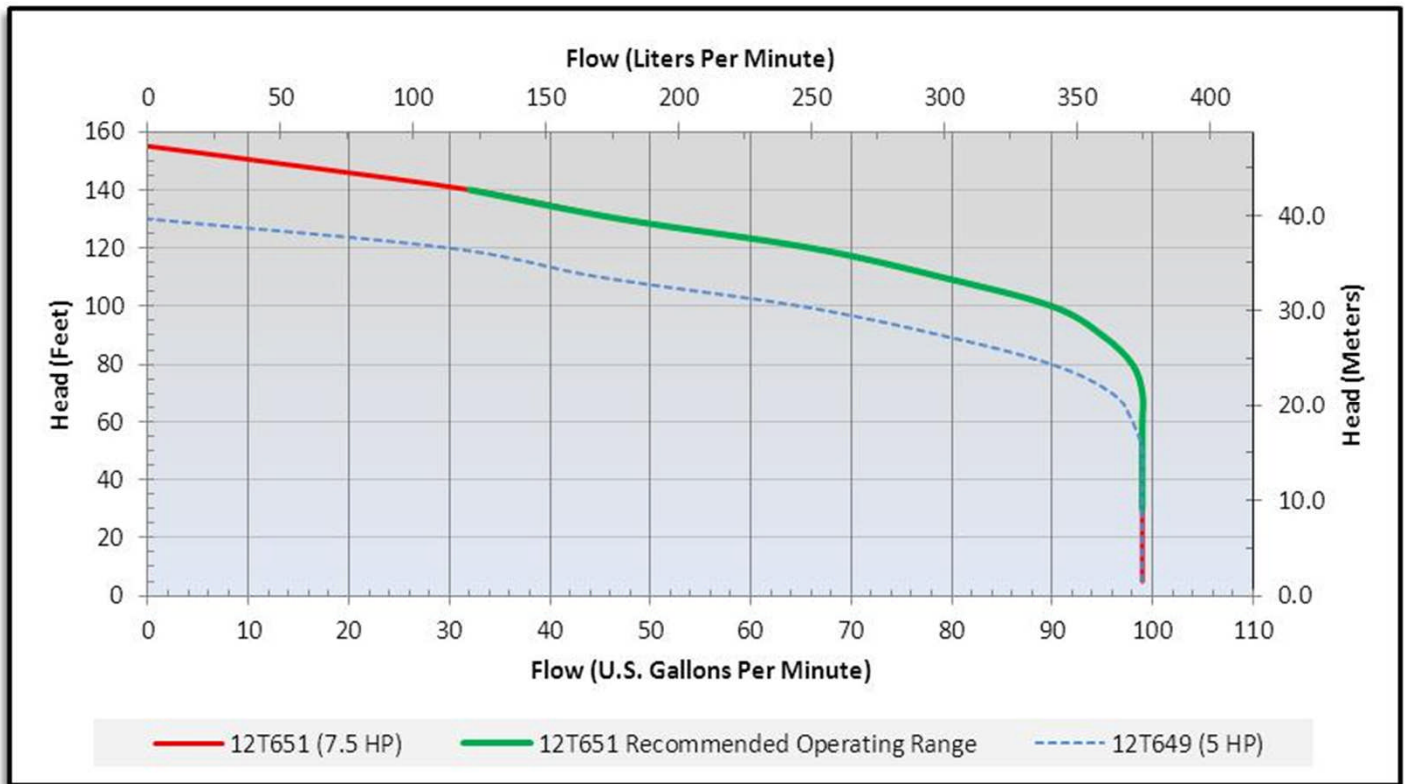
Outline Dimensions



Performance Data

Head	Feet	5	10	30	50	70	90	110	130	150	155
	Meters	1.5	3.0	9.1	15.2	21.3	27.4	33.5	39.6	45.7	47.2
Flow Rate	GPM	99	99	99	99	99	95	79	47	11	0
	LPM	375	375	375	375	375	360	299	178	42	0

Performance Chart



WARNING: Use only with nonflammable liquids compatible with pump component materials and in nonflammable/nonexplosive atmospheres.

Call or visit your local branch or go to
www.grainger.com/daytonpumps
 for complete product line information



Exclusively from Grainger.