

250G CONTROL SERIES

DART

CONTROLS

Instruction Manual

Variable Speed DC Control



**P.O. Box 10
5000 W. 106th Street
Zionsville, Indiana 46077**

**Phone (317) 873-5211
Fax (317) 873-1105
www.dartcontrols.com**

TABLE OF CONTENTS

WARRANTY	1
INTRODUCTION	2
CONTROL FEATURES	2
HEATSINK DIMENSIONS	2
SPEEDPOT KIT ASSEMBLY	3
MOUNTING PROCEDURE	3
MODEL SELECTION	3
WIRING PROCEDURE & FUSING	4
TERMINAL STRIP WIRING	4
CHASSIS & ENCLOSED MODEL HOOK-UP DIAGRAMS	5-6
START-UP PROCEDURE & ADJUSTMENTS	6
TRIMPOT ADJUSTMENT PROCEDURE	7
TRIMPOT SETTING CHART	7
CONTROL MODIFICATIONS	8
TWO SPEED OPERATION	8
DYNAMIC BRAKING	8
TACH FEEDBACK & FOLLOWER	8
INHIBIT INSTRUCTIONS	8
OPTION DESCRIPTION	9-13
-5 OPTION	9-10
-7 OPTIONS	9-10
-11 / -17B / -29 / -29B / -34A OPTIONS	10-11
-55H2 / -56H2 CHASSIS OPTIONS & ADJUSTMENT PROCEDURE	12
-56H2 ENCLOSED OPTION	13
IN CASE OF DIFFICULTY	13
SPECIFICATIONS & TYPICAL MOTOR CURRENTS	14
250G SERIES PARTS PLACEMENT & LIST	14
250G SERIES SCHEMATIC	15
REPAIR PROCEDURE & PRODUCT LINE	BACK COVER

WARRANTY

Dart Controls, Inc. (DCI) warrants its products to be free from defects in material and workmanship. The exclusive remedy for this warranty is DCI factory replacement of any part or parts of such product which shall within 12 months after delivery to the purchaser be returned to DCI factory with all transportation charges prepaid and which DCI determines to its satisfaction to be defective. This warranty shall not extend to defects in assembly by other than DCI or to any article which has been repaired or altered by other than DCI or to any article which DCI determines has been subjected to improper use. DCI assumes no responsibility for the design characteristics of any unit or its operation in any circuit or assembly. This warranty is in lieu of all other warranties, express or implied; all other liabilities or obligations on the part of DCI, including consequential damages, are hereby expressly excluded.

NOTE: Carefully check the control for shipping damage. Report any damage to the carrier immediately. Do not attempt to operate the drive if visible damage is evident to either the circuit or to the electronic components.

All information contained in this manual is intended to be correct, however information and data in this manual are subject to change without notice. DCI makes no warranty of any kind with regard to this information or data. Further, DCI is not responsible for any omissions or errors or consequential damage caused by the user of the product. DCI reserves the right to make manufacturing changes which may not be included in this manual.

WARNING

Improper installation or operation of this control may cause injury to personnel or control failure. The control must be installed in accordance with local, state, and national safety codes. Make certain that the power supply is disconnected before attempting to service or remove any components!!! If the power disconnect point is out of sight, lock it in disconnected position and tag to prevent unexpected application of power. Only a qualified electrician or service personnel should perform any electrical troubleshooting or maintenance. At no time should circuit continuity be checked by shorting terminals with a screwdriver or other metal device.

INTRODUCTION

- The Dart 250G Series variable speed DC motor control is a versatile, general purpose control rated to 2 HP, available in chassis mount or enclosed configurations; with options for specific applications.
- The 251G model is available with an adjustable HP range of 1/50 thru 1/8 at 120 VAC input.
- The 253G model has a dual voltage input (may accommodate either 120 or 240 VAC). It is available with an adjustable HP range of 1/8 thru 1 HP for 120 VAC, and 1/4 thru 2 HP for 240 VAC input.
- Designed for DC Permanent Magnet, Shunt Wound, and some Universal (AC/DC) motors in the above horsepower ranges.
- Incoming AC voltage is also converted to adjustable full wave rectified DC voltage (via a packaged bridge) to operate the DC motor. Also, a full wave field voltage is provided for shunt wound motors (see page 4 for voltages).
- The control incorporates transient voltage protection with adjustable current limit and an AC fuse for protection. It features adjustable minimum and maximum speeds along with adjustable acceleration and IR Compensation. Tach feedback is accomplished thru a connection to a pin (P2) on the printed circuit board.
- The 250G Series has a linear acceleration/deceleration ramp.
- The control also has a barrier type terminal strip for all power and control wiring.
- The enclosed model uses a gasketed cover assembly that is rated NEMA 4/12.
- cULus Listed.

CONTROL FEATURES

MIN. SPEED (minimum speed) - Allows adjustment of the motor speed when the speedpot is set at minimum (CCW). This permits the user to eliminate the “deadband” on the main speed control permitting zero calibration. Clockwise rotation of “MIN” trimpot increases minimum motor speed.

MAX. SPEED (maximum speed) - provides for adjustment of the motor speed when the speedpot is set at maximum (CW). This permits the user to eliminate the top end “deadband”, which will provide full speed at maximum rotation. Rotation of the “MAX” trimpot in the clockwise direction increases the maximum motor speed.

ACCEL (acceleration) - allows adjustment of the motor acceleration from a minimum of 0.5 seconds to approximately 8.0 seconds. The deceleration time depends on the ACCEL setting. For DECEL time equal to ACCEL time, see -17B option.

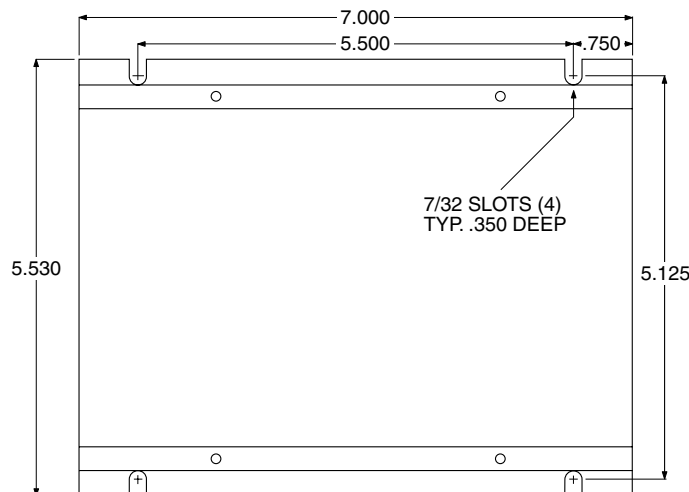
IR COMP (speed regulation) - adjusts the control output to compensate for speed changes caused by varying motor loads. As the motor load is increased, IR COMP increases the voltage output of the control. Clockwise rotation of the “IR COMP” trimpot will increase compensation.

CUR. LIM. (current limit) - provides protection from excessive armature current by limiting the maximum armature current the control can provide. This enables adjustment of the maximum torque the motor can deliver. Current limit adjustment (CUR LIM) is set at 125% of the rated motor current (torque) based on horsepower. Clockwise rotation of the “CUR LIM” trimpot increases the current (torque) the control will provide.

INHIBIT TERMINAL PIN (P2) - allows the user a choice of stopping and starting hard (fast) or stopping hard with a soft start through an adjustable acceleration ramp, without breaking the AC lines (see page 8).

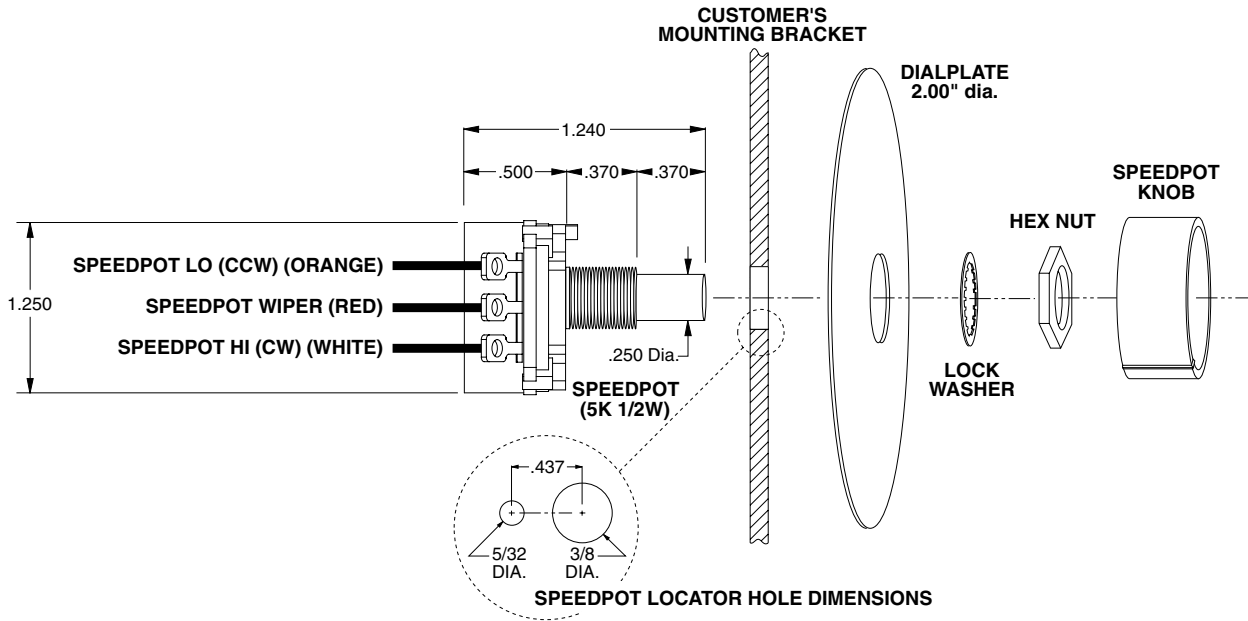
TERMINAL STRIP - allows for connection of AC lines, motor leads, motor field (if needed), and speed potentiometer.

HEATSINK DIMENSIONS



FOR CHASSIS VERSION: Allow 1.55" for height clearance, 7.00" for overall length.
FOR ENCLOSED VERSION: Allow 3.50" for height clearance, 7.40" for overall length.

SPEEDPOT KIT ASSEMBLY



MOUNTING PROCEDURE

CAUTION: Do not mount control where ambient temperature is outside the range of -10° C. (15° F.) to 45° C. (115° F.)

1. Four 7/32" diameter slots are provided for control mounting.
2. The chassis of the control can be used as a template.
3. Use standard hardware to mount.
4. The enclosed version has two threaded holes (1/2" NPT) provided on the bottom side endplate near the terminal strip to facilitate wiring.

MODEL SELECTION

Note: The minimum current rating for all 250G controls is 150mA.

HORSEPOWER	INPUT VOLTAGE	OUTPUT VOLTAGE	OUTPUT AMPS DC	CHASSIS MODEL	ENCLOSED MODEL
1/50 1/20 1/8	120 VAC	0-90 VDC	1.2A	251G-12C	251G-12E
1/8 1/4 1/3 1/2 3/4 1.0	120/240 VAC	0-90/0-180 VDC	10.8A	253G-200C	253G-200E
1.5* 2.0*	240 VAC	0-180 VDC	10.8A	253G-200C	253G-200E

* Not available with 120 VAC input - Input voltage determines maximum allowable H.P.

The 251G will operate a 90 VDC motor in the H.P. range of 1/50 through 1/8 H.P., using different trimpot settings. The 253G will operate a 90 VDC motor in the H.P. range of 1/8 through 1 H.P., and a 180 VDC motor in the range of 1/4 through 2 H.P., using different trimpot settings.

WARNING

1. Be sure the control housing is properly grounded.
2. Arm connections must not be switched or broken while the control is on. Serious damage may result.
3. For non-speedpot applications, the input connections to the Lo-Wiper-Hi leads must not be grounded. Serious control damage may result from a grounded input.

WIRING PROCEDURE

1. **Size all wires** which carry armature or line current to handle currents as specified by national, state, and/or local codes. All other wires may be #18 AWG or smaller as permitted by local code.
2. **Separate control wires** from all the Armature and AC line wires when routed in conduits or in wire trays. The enclosed version has two threaded holes (1/2" NPT) in one endplate, located near the terminal strip, for this purpose.

FUSING

The 250G is provided with a fuse in AC line 1 (P1-11). This fuse is sized to open in the event of a shorted armature or if an armature line is shorted to earth ground. As long as 120 VAC input is connected properly, there is no additional fusing needed.

For 240 VAC applications, an external fuse may be used in AC line 2 (P1-10). This fuse should be a Bussman ABC10 or LittleFuse 314-010. This added fuse will provide protection on both AC legs to the 250G. If you desire not to fuse both legs, the fuse in the control will open in the event of excessive armature currents.

Note: AC current is determined by motor characteristics. In some applications it may be necessary to increase fuse value.

TERMINAL STRIP WIRING

The 250G Series has an 11 position terminal strip for ease of connection.

P1-1 (SPEEDPOT LO) Connects to low side (orange wire) of the 5K speedpot (normally the CCW end). This input is raised and lowered by the MIN. trimpot. Electronic speed input (voltage follower) may be referenced to speedpot LO if the MIN trimpot adjustments are to be active. Otherwise, inputs may be referenced to -ARM, which will bypass the MIN trimpot.
NOTE: INPUT MUST NOT BE GROUNDED!!

P1-2 (SPEEDPOT WIPER) Connects to wiper (red wire) of the 5K speedpot (center lead). For voltage follower applications, this **INPUT MUST NOT BE GREATER THAN +12 VOLTS MAXIMUM AND MUST NOT BE GROUNDED!**

P1-3 (SPEEDPOT HI) Connects to high side (white wire) of the 5K speedpot (CW end). This is internal +12 volts. For start-stop applications, the connection between this terminal and speedpot HI can be opened and closed by a SPST switch.
NOTE: INPUT MUST NOT BE GROUNDED!!

P1-4 (-ARM) Connects to minus (-) Armature wire (A2) on motor. For voltage follower applications where the MIN trimpot is bypassed, connect minus (-) of the follower to this terminal.

P1-5 (+ARM) Connects to plus (+) Armature wire (A1) on motor. 0-90 VDC for 120 VAC input OR 0-180 VDC for 240 VAC input. See "SPECIFICATIONS" for output rating.

P1-6 (+FIELD) DO NOT USE for permanent magnet motor. This supplies +Field voltage for a SHUNT WOUND MOTOR. Refer to Field Voltage table. For motors with dual voltage field (i.e. 50/100V or 100/200V), make sure highest value is connected.

FIELD VOLTAGE TABLE		
VAC INPUT	120	240
VDC FIELD	100	200

P1-7 (-FIELD) DO NOT USE for permanent magnet motor. Connect minus (-) Field wire of SHUNT WOUND MOTOR.

P1-8 } VERY IMPORTANT !!! Refer to "FUSING", shown above.

P1-9 } CHASSIS VERSION: (SPARE) Make no connection to P1-8 or P1-9

ENCLOSED VERSION: (AC) 120VAC - Connect incoming hot AC (black wire) to P1-9 and Neutral (white wire) to P1-8. Connect ground (green wire) to Chassis Ground, as shown in diagram - page 5.

240VAC - Connect both hot sides, one to P1-8 and one to P1-9. Also connect ground wire to Chassis Ground.

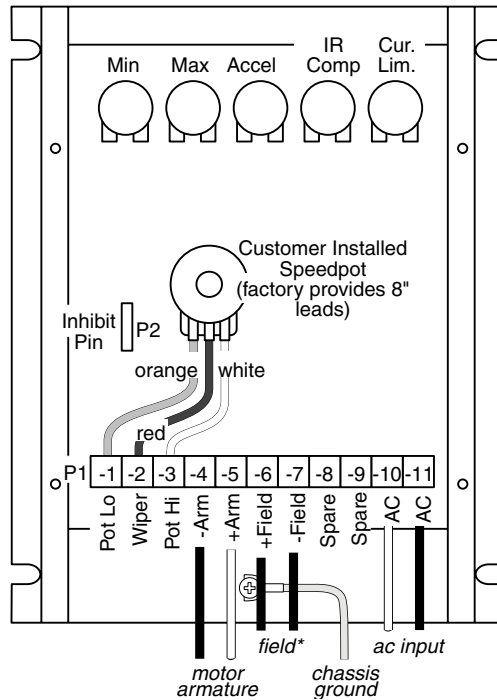
P1-10 } VERY IMPORTANT !!! Refer to "FUSING", shown above.

P1-11 } CHASSIS VERSION: (AC) 120VAC - Connect incoming hot AC (brown or black wire) to P1-11 and Neutral (white or yellow wire) to P1-10. Connect ground (green wire) to Chassis Ground.

240VAC - Connect both hot sides, one to P1-10 and one to P1-11. Connect ground wire to Chassis Ground.

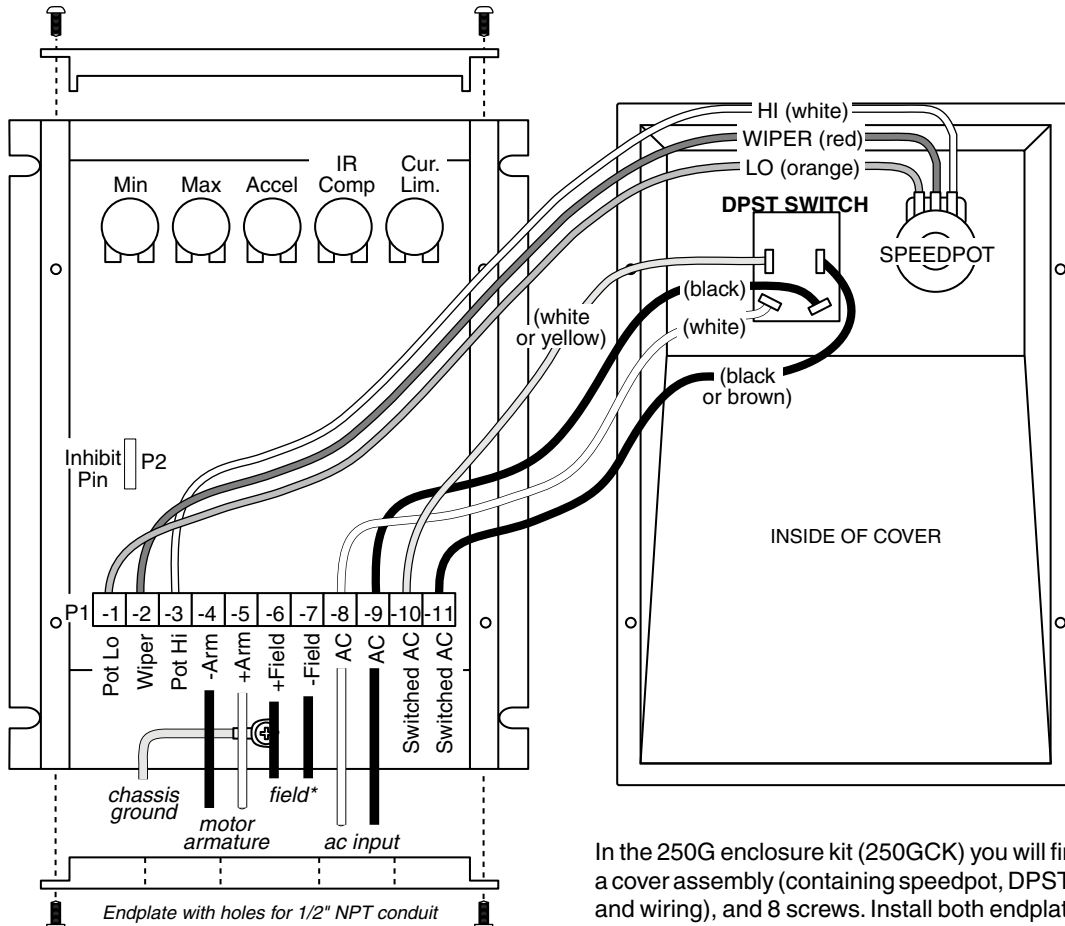
ENCLOSED VERSION: (SWITCHED AC) No connections to P1-10 and P1-11. This is for switched AC output. Note "FACTORY WIRING" (page 5). Pilot lights can be connected between these terminals. The voltage present at these terminals is AC input voltage.

250G SERIES CHASSIS HOOK-UP DIAGRAM



* Used for shunt wound motors only! No connection is made to these terminals when using permanent magnet motors.

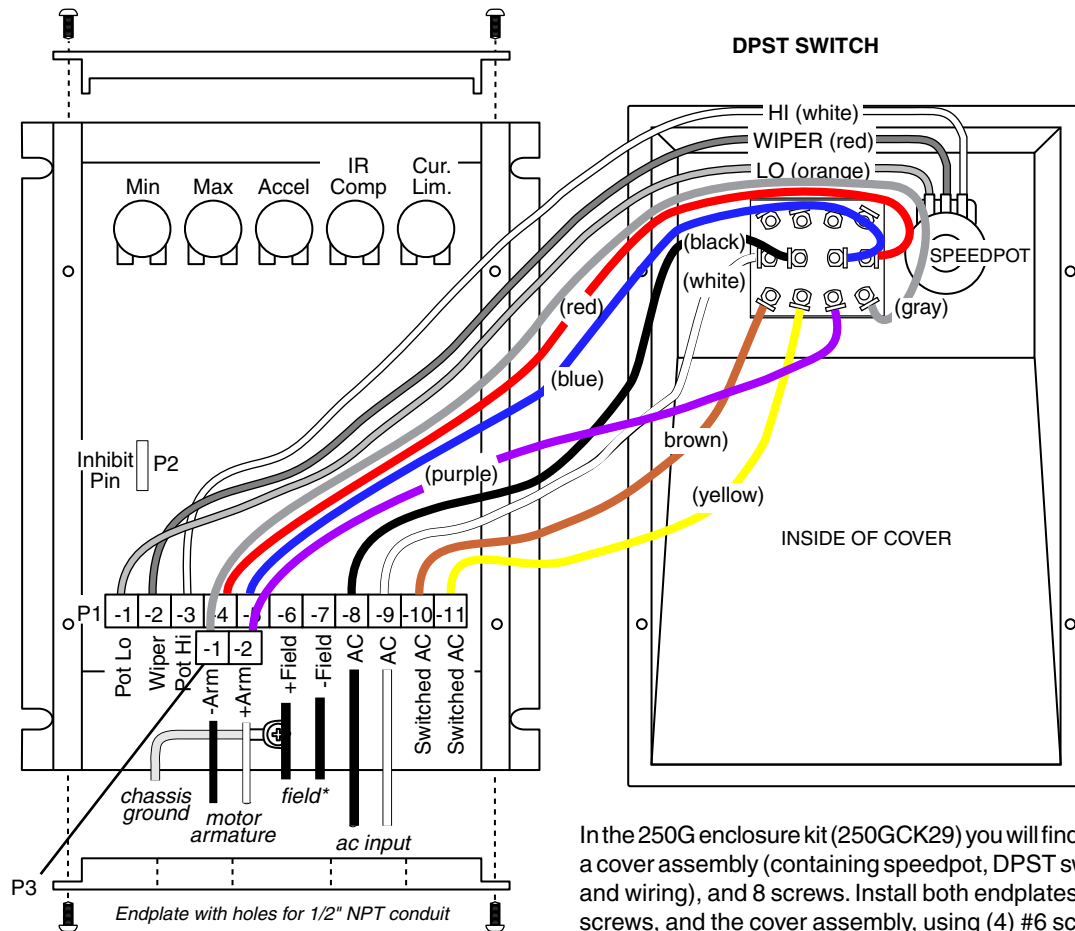
250G SERIES ENCLOSED HOOK-UP DIAGRAM



In the 250G enclosure kit (250GCK) you will find 2 endplates, a cover assembly (containing speedpot, DPST switch, gasket and wiring), and 8 screws. Install both endplates using (4) #5 screws, and the cover assembly, using (4) #6 screws. Before screwing down cover assembly, route wiring through conduit holes in endplate by terminal strip.

* Used for shunt wound motors only! No connection is made to these terminals when using permanent magnet motors.

250G SERIES -29 HOOK-UP DIAGRAM



* Used for shunt wound motors only! No connection is made to these terminals when using permanent magnet motors.

In the 250G enclosure kit (250GCK29) you will find 2 endplates, a cover assembly (containing speedpot, DPST switch, gasket and wiring), and 8 screws. Install both endplates using (4) #5 screws, and the cover assembly, using (4) #6 screws. Before screwing down cover assembly, route wiring through conduit holes in endplate by terminal strip.

Warning: Do not attempt to perform a Hi-Pot test across AC lines with control in circuit. This will result in immediate or long term damage to the control.

START-UP PROCEDURE

WARNING: ALL POWER MUST BE TURNED OFF BEFORE PROCEEDING !!!

1. Recheck all wiring. Accidental grounds, loose or pinched wires on armature or speedpot wires may damage the control when power is applied.
2. Check to see that incoming service is of correct voltage.
3. Turn speedpot to zero (fully CCW).
4. Turn power on and advance speedpot while observing motor.

WARNING: POWER MUST BE OFF BEFORE STEP 5 CAN BE ACCOMPLISHED!

5. If motor rotation is incorrect, turn power off at external disconnect and reverse +ARM and -ARM connections.
6. Check for satisfactory operation throughout the speed range.
7. If operation is satisfactory, no readjustments are needed.
8. If instability or surging is observed, or maximum speed is higher than desired, see section "TRIMPOT ADJUSTMENT".
9. For other problems, consult section "IN CASE OF DIFFICULTY".

ADJUSTMENTS

The trimpot adjustments, MIN, MAX, IR COMP, and CUR LIM are checked at the factory using a typical motor at 240 VAC input. Use the **TRIMPOT SETTING CHART** on page 7 to preset the trimpots for the proper setting for your application. The remaining trimpot - ACCEL, is a variable acceleration and should be set for your particular application.

The trimpot chart is approximate. The chart is valid when using the speedpot or a 0-10/12 VDC input signal to set speed.

These adjustments are permanent; periodic readjustment is normally not needed. Operation of the control beyond $\pm 10\%$ of normal line voltage could result in readjustments.

TRIMPOT ADJUSTMENT PROCEDURE

TRIMPOT	FUNCTION	ADJUSTMENT
MAX	SETS MAXIMUM MOTOR SPEED when speedpot is set at maximum (100% rotation CW). CW rotation of MAX trimpot increases maximum motor speed.	<ol style="list-style-type: none"> 1. TURN DRIVE POWER OFF!! 2. Connect DC Voltmeter: + to +ARM, - to -ARM. 3. Set meter voltage range: (90VDC or 180VDC). 4. Turn power on. Set speedpot at 100%. 5. Adjust MAX trimpot to rated motor armature voltage as shown on meter. <p>NOTE: A tachometer or strobe may be used in lieu of a meter. Follow above steps, except adjust MAX trimpot to rated motor base speed indicated by tachometer or strobe.</p>
MIN	SETS MINIMUM MOTOR SPEED when speedpot is set at zero. CW rotation will increase minimum motor speed.	<ol style="list-style-type: none"> 1. Set speedpot to zero (fully CCW). 2. Rotate MIN trimpot CW until motor rotates. 3. Slowly rotate MIN trimpot CCW until motor stops. NOTE: If motor rotation at zero is desired, rotate MIN trimpot CW until desired minimum speed is reached.
IR COMP.	CALIBRATES SPEED REGULATION - Provides a means of improving motor speed regulation in the armature feedback mode. If a slowdown due to load change is of no concern, rotate this trimpot fully CCW.	<ol style="list-style-type: none"> 1. Set speedpot at 50%. 2. Observe motor speed at no load condition. 3. Apply a full load to the motor. 4. Adjust IR COMP trimpot CW to obtain the same motor speed as with no load.
CUR. LIM.	LIMITS DC MOTOR ARMATURE CURRENT (Torque) to prevent damage to the motor or control. The current limit is set for the rated motor current. CW rotation of this trimpot increases the armature current (or torque produced).	<ol style="list-style-type: none"> 1. TURN DRIVE POWER OFF !! 2. Connect a DC ammeter between A1 on the motor and +ARM on the control. This is in series with the motor. 3. Turn power on. 4. Set speedpot at the 50% position. 5. Set CUR LIM trimpot fully CCW. 6. Apply friction braking to the motor shaft until motor is stalled (zero RPM). 7. While motor is stalled, set current at 125% of rated nameplate motor armature current by adjusting the CUR LIM trimpot.
ACCEL	ALLOWS ADJUSTMENT OF ACCELERATION by user.	<ol style="list-style-type: none"> 1. CW rotation increases time of acceleration.

TRIMPOT SETTING CHART

- * These settings apply when using a 5000Ω Master Speedpot.
- * Settings will differ when using various options, such as using the -5 or the -7 option. For the -17B option, Accel/Decel is 20 seconds when pot is turned fully clockwise.
- * This trimpot chart is approximate. Use it in conjunction with the Adjustment Procedures.

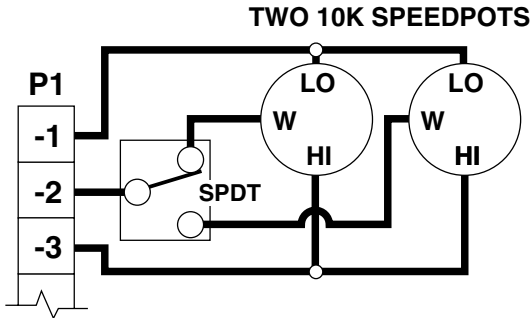
	MIN	MAX	ACCEL	IR	C.L.	H.P.	INPUT VOLTAGE	OUTPUT VOLTAGE
251G						1/50	120VAC	0-90VDC
						1/20	120VAC	0-90VDC
						1/8	120VAC	0-90VDC
253G						1/8	120VAC	0-90VDC
						1/4	120VAC	0-90VDC
						1/3	120VAC	0-90VDC
						1/2	120VAC	0-90VDC
						3/4	120VAC	0-90VDC
						1.0	120VAC	0-90VDC

	MIN	MAX	ACCEL	IR	C.L.	H.P.	INPUT VOLTAGE	OUTPUT VOLTAGE
251G						1/4	240VAC	0-180VDC
						1/2	240VAC	0-180VDC
						3/4	240VAC	0-180VDC
253G						1.0	240VAC	0-180VDC
						1.5	240VAC	0-180VDC
						2.0	240VAC	0-180VDC

CONTROL MODIFICATIONS

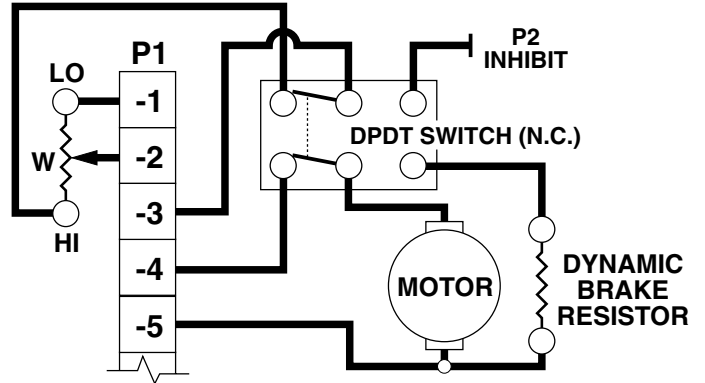
TWO SPEED OPERATION

Two pot operation is done using two 10K ohm speed potentiometers in parallel (both HI's to P1-3, both LO's to P1-1). The WIPER is switched using a SPDT switch.



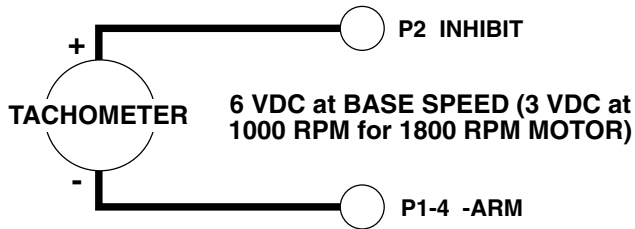
DYNAMIC BRAKING

A DPDT switch is used to inhibit the control and to connect the DBR. Typical values for the DBR (dynamic brake resistor) are 5 ohms for 120V, 10 ohms for 240V (both 35W to 50W). Note that motor horsepower, inertia, and cycle time effect sizing of the DBR. **NOTE: This modification cannot be used with the -17B option.**



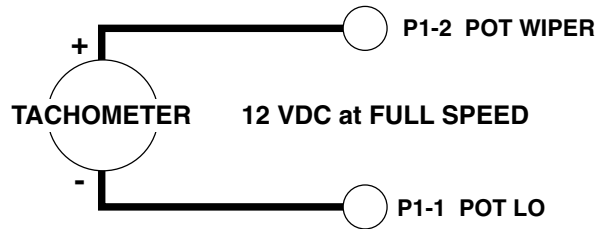
TACHOMETER FEEDBACK

Improves speed regulation to $\pm 1/2\%$ of base speed. Control goes to full output when input goes to zero, above and beyond MAX trimpot setting



TACHOMETER FOLLOWER

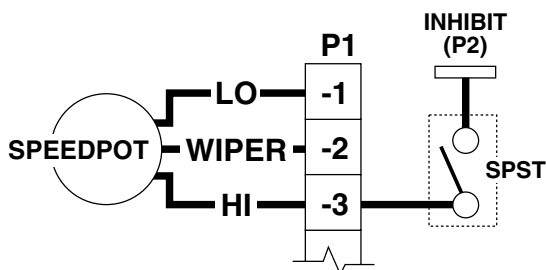
Allows control output to follow tachometer voltage.



NOTE: NEED 1% OR LESS - TACH OUTPUT RIPPLE

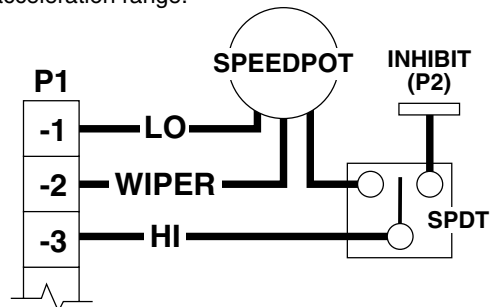
INHIBIT (USED INDEPENDENTLY)

The customer supplied SPST switch is connected in series between the speedpot HI (P1-3) and the Inhibit pin (P2). To inhibit, speedpot HI is closed to the Inhibit pin. To restart, the switch is returned to open. **NOTE: The control will stop and start fast, accel is bypassed.**



INHIBIT (USED WITH SPEEDPOT)

The Common of the SPDT switch is connected to control pot HI and is switched between Speedpot HI and the Inhibit pin (P2). To inhibit (stop motor), speedpot HI is closed to the Inhibit pin. To restart, the switch is returned to Speedpot Hi. **NOTE: The control will stop fast and soft start through a fixed acceleration range.**



NOTE: Permits starting and stopping of motor without breaking AC lines. In the event of SCR failure or false triggering, the Inhibit circuit will not stop motor.

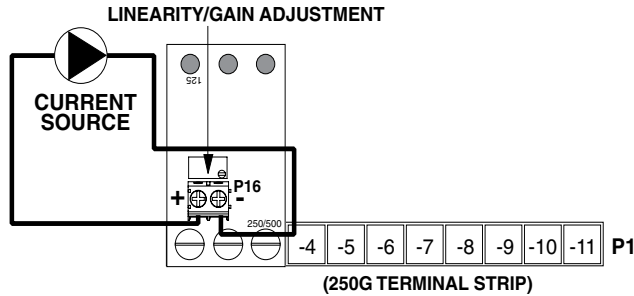
Always use a shielded wire when connecting to the inhibit terminal. The shield should be connected to -Armature or Common of the control.

OPTION DESCRIPTION

-5 option

Isolated 4-20 ma.Signal Follower

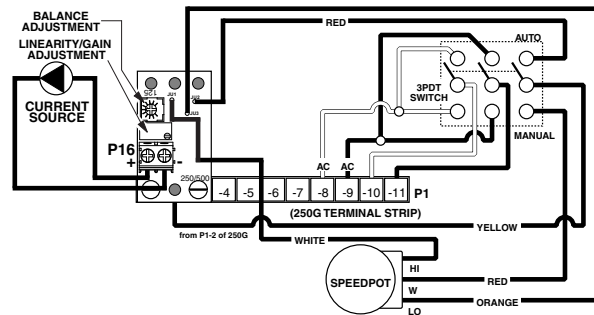
Field or Factory Installed
Available on Chassis Only*



-7 option

Isolated 4-20 ma. Signal Follower
with Auto/Manual Switch

Enclosed - Factory Installed only
Chassis - Factory or Field Installed
Chassis - switch & wiring are customer provided



-5 and -7 option Hookup Procedure

DO NOT USE TRIMPOT CHART TO ADJUST MIN AND MAX TRIMPOTS ON MAIN BOARD. IF ADJUSTMENT IS NEEDED THEN REFER TO THE SETUP PROCEDURE BELOW.

The -5 option is a 4-20 mA isolated signal card that replaces the speedpot to control speed. The 4-20 mA signal input can be either grounded or ungrounded. The board sets on spacers screwed to the pot HI, Wiper, and LO terminals on the main board using long screws. The current source connects to the + and - two position terminal strip (P16-1 and -2) on the -5 option board.

The Linearity trimpot on the -5 option board is set at the factory for proper linearity, however this trimpot may need to be re-set after tuning the Max and Min trimpot settings on the control for your specific application. If needed then refer to the setup procedure below.

The -7 option is also a 4-20 mA isolated signal card but it allows the control to be run in either the Manual mode via a speed pot or the Auto mode via the 4-20 mA signal. This option also includes a Balance trimpot which is used to scale the maximum speed in the Manual mode. It is factory set so the maximum speed in Manual mode equals the maximum speed in Auto mode. The Linearity trimpot on the -7 option board is set at the factory for proper linearity, however this trimpot may need to be re-set after tuning the Max and Min trimpot settings on the control or if the Balance trimpot on the -7 must be reset for your specific application. If needed then refer to the setup procedure below.

The following is the recommended procedure to set up the -5/-7 option on the 125/250/500 Series:

- 1) With the 125/250/530 oriented so that trimpots are along the top, adjust Min trimpot to minimum (full CCW) and Max trimpot to 50%. The voltage is set below the typical motor voltage to make certain the drive is NOT in saturation before setting the -5/-7 board saturation point.
- 2) Set the Linearity/gain pot on the -5/-7 full CW. This is a 20 turn pot and you should hear a clicking with each turn when fully up or just count 20 turns.
- 3) Make certain your motor is connected to +/-ARM output of the drive, the AUTO / MAN switch is in AUTO mode for -7 options, and source power for the control is turned on. (Note: For proper tuning this setup is best done on an unloaded motor.)
- 4) With power applied and a voltmeter monitoring motor output Vdc, apply 4mA to -5/-7 board. Check voltmeter reading and adjust the Linearity/gain trimpot, R16, on the -5/-7 board CCW until motor output voltage is less than 0.1Vdc.
- 5) Now apply 20mA to the -5/-7 board and adjust the Max trimpot to a voltage that is 5 volts (15 volts for the 250G series controls) above the final desired max motor voltage output. Adjust the Linearity/gain trimpot on the -5/-7 board CCW until the motor output voltage decreases to the desired max voltage set point.
- 6) Now, apply 4mA to the -5/-7 board again and adjust the Min trimpot to deadband or the desired minimum motor voltage output. The deadband point is where you are at 0Vdc and any further increase of the Min trimpot would result in an output to the motor. Re-apply 20mA to the -5/-7 board and verify max output has not changed. A small adjustment may be needed to the Max trimpot to reset to desired max output.
- 7) Adjust 4-20 input to 12mA. If tuned properly the output voltage of an unloaded motor should be within a few volts of ½ output (based on max output setting above).

-7 option only: With 20mA applied to the -7 in Auto mode, move AUTO/MANUAL switch to MANUAL.

- 8) In manual mode turn the speedpot full CW, note motor voltage output reading on voltmeter. If not equal to output at 20mA in Auto Mode, adjust the Balance trimpot on the -7 board (CW or CCW) until the same reading is achieved. The motor output Vdc should not change more than 1 Vdc when flipping back and forth between AUTO and MANUAL position.

-17B option **Acceleration Time Changes**

Factory Installed Only
Available on all Models

Standard acceleration is variable from 0.5 to 8.0 seconds with the trimpot. The deceleration is between 0.06 and 0.8 seconds. This option extends the maximum acceleration so the range is between 0.8 and 20.0 seconds. Furthermore, this option has the deceleration time equal to the acceleration time, so deceleration range is also 0.8 to 20.0 seconds (depends on Accel setting, not an independent setting).

USE STANDARD HOOK-UP INSTRUCTIONS

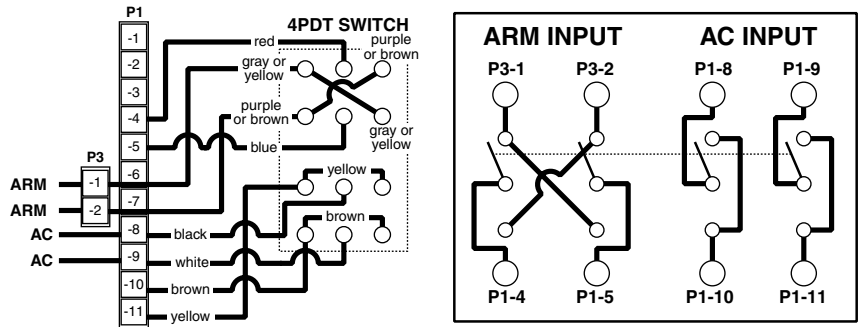
-29 and -29B options Manual Reversing

-29 Enclosed Factory Installed Only -29B Chassis *

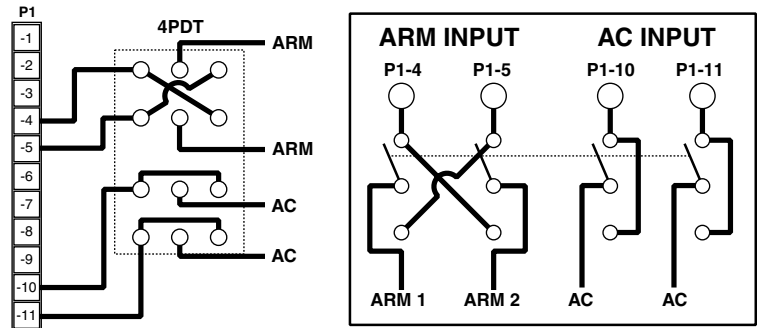
Permits reversing of motor. This is accomplished using a 4PDT blocked center switch. When switched between the forward/reverse positions, a delay is encountered due to the blocked center position, which protects the control from any voltage that may be at the armature terminals. The center position is OFF/NEUTRAL.

THE MOTOR MUST COME TO A COMPLETE STOP BEFORE CHANGING DIRECTIONS. IF THE MOTOR DOES NOT COME TO A COMPLETE STOP, SERIOUS DAMAGE TO THE CONTROL MAY RESULT. BYPASS OF THE CENTER BLOCK OF THE SWITCH MAY RESULT IN DAMAGE TO THE CONTROL.

-29 (ENCLOSED VERSION) A 4PDT blocked center-off switch is factory installed into the cover assembly. The two position terminal strip (P3) is factory installed on the main board (below). The output on P3 is the switched (FWD/REV) output and the output of terminals P1-4 and P1-5 is not switched.



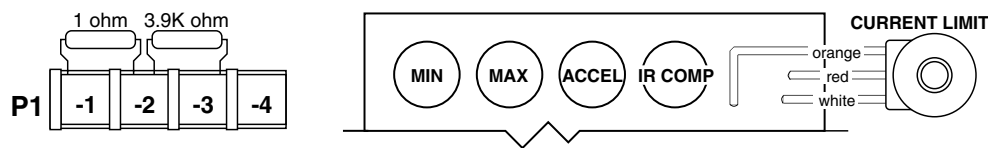
-29B (CHASSIS VERSION) * 250G control with a 4PDT switch (factory provided). The customer provides interconnecting wiring.



-34A option Torque Control

Factory Installed Only Available Enclosed Only

The TORQUE (CURRENT LIMIT TRIMPOT) is controlled by the faceplate mounted potentiometer. Thus, the internally mounted MIN trimpot becomes the Speedpot. This speedpot may be moved to a remote location by removing the fixed resistors connected on P1-1 through P1-3, and installing a standard 5K 2W potentiometer.



DO NOT USE TRIMPOT SETTING CHART !

-55H2 and -56H2 options Isolated Voltage Input

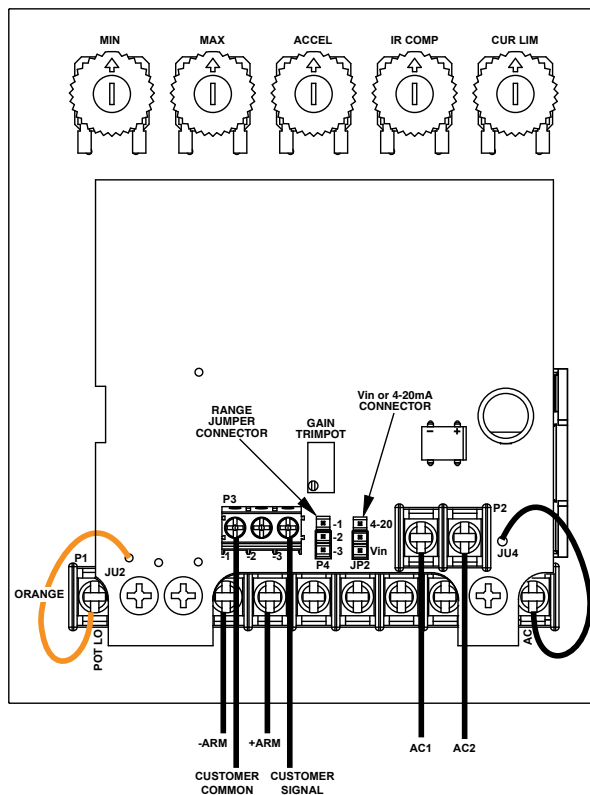
Factory or Field Installed Chassis Version

-55H2 OPTION (CHASSIS)

This option card allows for the use of either a grounded or non-grounded remote DC signal such as 0 to 5 through 0 to 250Vdc, 4-20mA current, or a remote speed pot. The DC input signal type can be selected for voltage (Vin) or current (4-20mA) via the JP2 jumper clip. There is a Hi/Lo range jumper (P4) selection that should be set to the (Lo) setting when using a 4-20mA signal or voltage ranges of 0-5 through 0-25Vdc. When using voltage ranges of 0-25 through 0-250 this jumper must be set to (Hi). The GAIN trimpot is used to set full linear output in reference to the input signal range. The output of this remote signal isolation board is a linear signal that is proportional to the remote input signal being supplied.

(FOR SHUNT WOUND MOTOR, SEE PAGE 4 OF MANUAL FOR FIELD CONNECTIONS).

CAUTION: DO NOT use TRIMPOT ADJUSTMENT CHART. Set pots using directions in following SET-UP PROCEDURE.

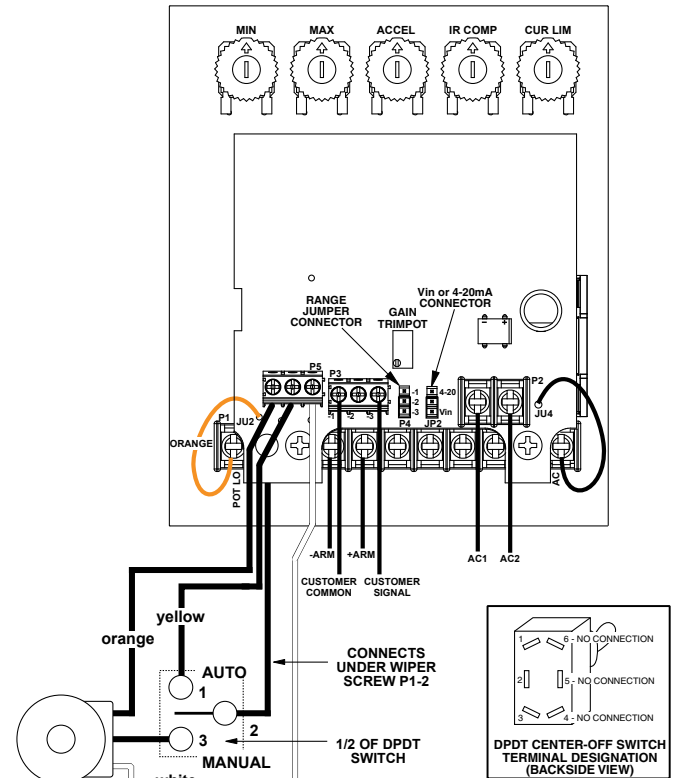


-56H2 OPTION (CHASSIS)

The -56H2 option is identical to the -55H2 option with the added ability to have remote Auto/Manual switching. See -55H2 for more further detail.

(FOR SHUNT WOUND MOTOR, SEE PAGE 4 OF MANUAL FOR FIELD CONNECTIONS).

CAUTION: DO NOT use TRIMPOT ADJUSTMENT CHART. Set pots using directions in the previous SET-UP PROCEDURE.



INPUT IMPEDANCE:

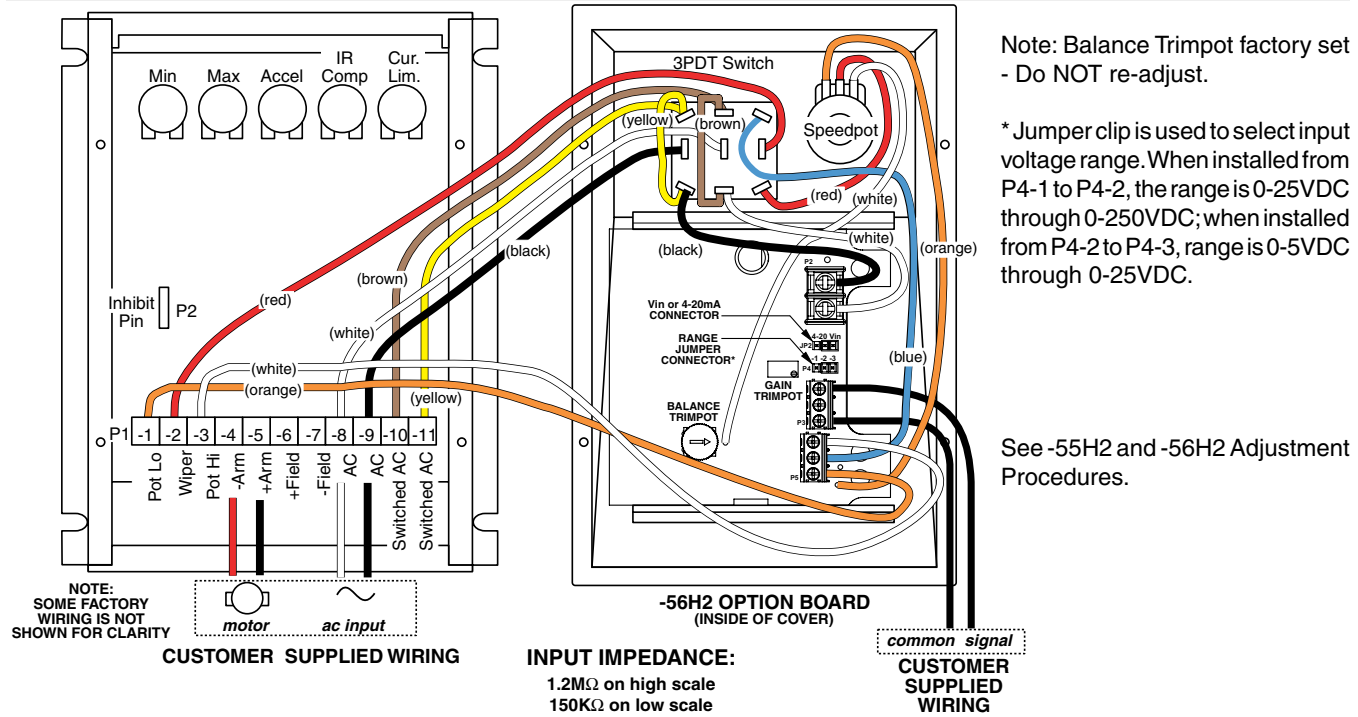
1.2M ohm on high scale
150K ohm on low scale

ADJUSTMENT PROCEDURE FOR -55H2 & -56H2 OPTIONS

1. With NO power at the control, connect a DC voltmeter (meter must not be grounded) to control outputs as follows: **Meter COMMON to the -ARM terminal; Meter POSITIVE to the +ARM terminal.** Select correct meter range (0-90V or 0-180V).
2. Preset GAIN trimpot (option board) fully CCW, place range jumper clip in proper position.
3. Preset control as follows: MIN and IR COMP. fully CCW, MAX at 50%.
4. Apply desired AC voltage to control and option board.
5. With 0 volts into option board, adjust MIN trimpot on control to eliminate deadband. To do this, increase MIN fully CW, then adjust CCW until meter reads 0 volts.
6. Apply maximum input voltage to option board input.
7. Adjust GAIN until no further change in voltage output occurs and turn CCW until a 5V drop occurs, then set control MAX to 90VDC (180VDC for 240V input).
8. For Closed Loop systems the IR COMP. should remain fully CCW. For Open Loop systems, set IR as per set-up procedure.
9. Some interaction between trimpots may occur. Recheck the Min trimpot setting and repeat steps 5 through 7 as needed.

-56H2 option Isolated Voltage Input

Factory Installed Only Enclosed Version



IN CASE OF DIFFICULTY

If a newly installed control will not operate, it is possible that a terminal or connection is loose. Check to make sure that all connections are secure and correct. If control still doesn't operate, refer to the following chart.

PROBLEM	POSSIBLE CAUSE(S)	CORRECTIVE ACTION(S)
Motor doesn't operate	<ul style="list-style-type: none"> - blown fuse - incorrect or no power source - speedpot set at zero - worn motor brushes 	<ul style="list-style-type: none"> replace fuse install proper service adjust speedpot CW to start replace motor brushes
Armature output voltage cannot be adjusted, output is a constant DC level	<ul style="list-style-type: none"> - no motor or load connected - speedpot low connection open 	<ul style="list-style-type: none"> check that motor or load is connected to armature terminals check that speedpot low wire is connected
Motor stalls, or runs very slowly with speedpot turned fully CW	<ul style="list-style-type: none"> - low voltage - overload condition - worn motor brushes - max speed set incorrectly 	<ul style="list-style-type: none"> check - should be above 108V reduce load replace motor brushes see ADJUSTMENT PROCEDURE
Motor hunts	<ul style="list-style-type: none"> - too much IR Comp. - motor is in current limit - motor not pulling enough current - max trimpot set too high - motor speed is above rated speed 	<ul style="list-style-type: none"> see ADJUSTMENT PROCEDURE see ADJUSTMENT PROCEDURE current must be greater than 150 mA D.C. see ADJUSTMENT PROCEDURE reduce speed
Repeated fuse blowing	<ul style="list-style-type: none"> - low voltage - overload condition - worn motor brushes - defective motor bearings - defective electrical component 	<ul style="list-style-type: none"> check - should be above 108V reduce load replace replace call Dart Distributor or Representative
Motor runs but will not stop	<ul style="list-style-type: none"> - incorrect wiring (enclosed version) - defective wiring - defective component 	<ul style="list-style-type: none"> check TERMINAL STRIP WIRING for correct wiring instructions (note AC line connection in particular) check wiring call Dart Distributor or Representative

If control still will not operate, consult your Dart Distributor or Representative.

SPECIFICATIONS

AC input voltage ±10% of rated line voltage
 Acceleration 0.5 to 8.0 seconds (note -17B option)
 Amps - DC output 150 mA to 10.8 Amps D.C.
 Controller overload capacity 150% for one minute
 Current limit trimpot range 0.3 to 3.0 Amps D.C. (251G); 1.0 to 15.0 Amps D.C. (253G)
 Deceleration (dependent on acceleration time setting)06 to .80 second range
 Dimensions and weight:

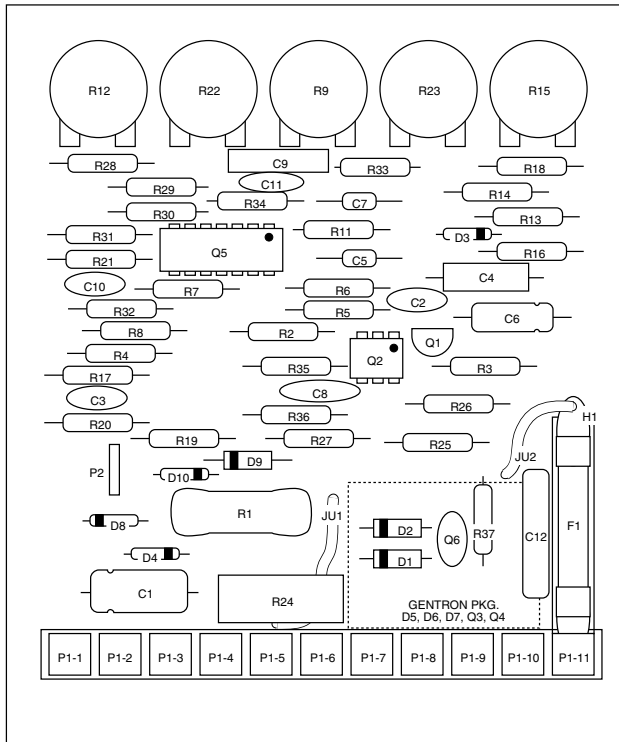
	WIDTH	LENGTH	HEIGHT	WEIGHT	TYPE
ENGLISH	5.53"	7.25"	3.50"	25.50 oz.	enclosed
	5.53"	7.00"	1.55"	16.25 oz.	chassis
METRIC	140mm	184mm	89mm	723 grams	enclosed
	140mm	178mm	39mm	413 grams	chassis

Drive service factor 1.0
 Efficiency 85% typical
 Input frequency 50 or 60 Hertz
 Max. trimpot speed range 66% to 110% of base speed
 Min. trimpot speed range 0% to 30% of maximum speed
 Minimum external impedance (pot hi to pot low) 5K ohms
 Power devices packaged full wave bridge
 Shunt field voltage 100VDC for 120VAC input; 200VDC for 240VAC input; 1 amp maximum
 Speed control via 5K ohms 2W linear potentiometer or 0-10VDC isolated signal
 Speed range 50:1
 Speed regulation ±1% of base speed
 Temperature range -10° to 45° C. ambient (15° to 115° F.)
 Transient protection G-Mov
 Type ramp of accel/decel linear

TYPICAL MOTOR CURRENTS

Horsepower	1/50	1/20	1/8	1/4	1/3	1/2	3/4	1.0	1.5	2.0
Typical AC Amps (120VAC)	0.26	.70	1.80	3.50	4.40	6.50	9.30	13.20	-----	-----
Typical Arm Amps (120VAC)	0.20	.50	1.40	2.70	3.40	5.00	7.20	10.20	-----	-----
Typical AC Amps (240VAC)	-----	-----	-----	1.80	2.20	3.30	4.80	6.50	9.70	12.90
Typical Arm Amps (240VAC)	-----	-----	-----	1.40	1.70	2.50	3.70	5.00	7.50	9.90

250G SERIES PARTS PLACEMENT & LIST



RESISTORS

- | | |
|------------------|-----------------|
| R1 15K 8W | R20 1K |
| R2 2.7K | R21 1K |
| R3 2.7K | R22 50K (MAX) |
| R4 1.2M | R23 100Ω (I.R.) |
| R5 180K | R24 .01Ω 5W |
| R6 82K | R25 390Ω |
| R7 470K | R26 390Ω |
| R8 15K | R27 1K |
| R9 250K (ACCEL) | R28 20K 1/4W |
| R10 5K SPEEDPOT* | R29 10K |
| R11 10K | R30 180K |
| R12 5K (MIN) | R31 390K |
| R13 470K | R32 47K |
| R14 300K | R33 470K |
| R15 5K (C.L.) | R34 100K |
| R16 4.7K | R35 470Ω |
| R17 390K | R36 91K |
| R18 4.7K | R37 1Ω |
| R19 150K | |

-17B CHANGES:
 C9 2.2uf 50V N.P.
 R28 .. 10K

-34A CHANGES:
 R10... Connect to 3 wires
 from R15 position
 R15 .. Delete trimpot

251G-12C CHANGES:
 R241& 5W

DIODES ACTIVE DEVICES

- | | |
|--------------|---------------|
| D1 1N4005 | Q1 2N6027 |
| D2 1N4005 | Q2 3052 MOC |
| D3 1N914B | Q3 L512FY131 |
| D4 1N5242B | Q4 L512FY131 |
| D5 L512FY131 | Q5 LM324N IC |
| D6 L512FY131 | Q6 275V G-MOV |
| D7 L512FY131 | |
| D8 1N914B | |
| D9 1N4005 | |
| D10 1N5233B | |

CAPACITORS

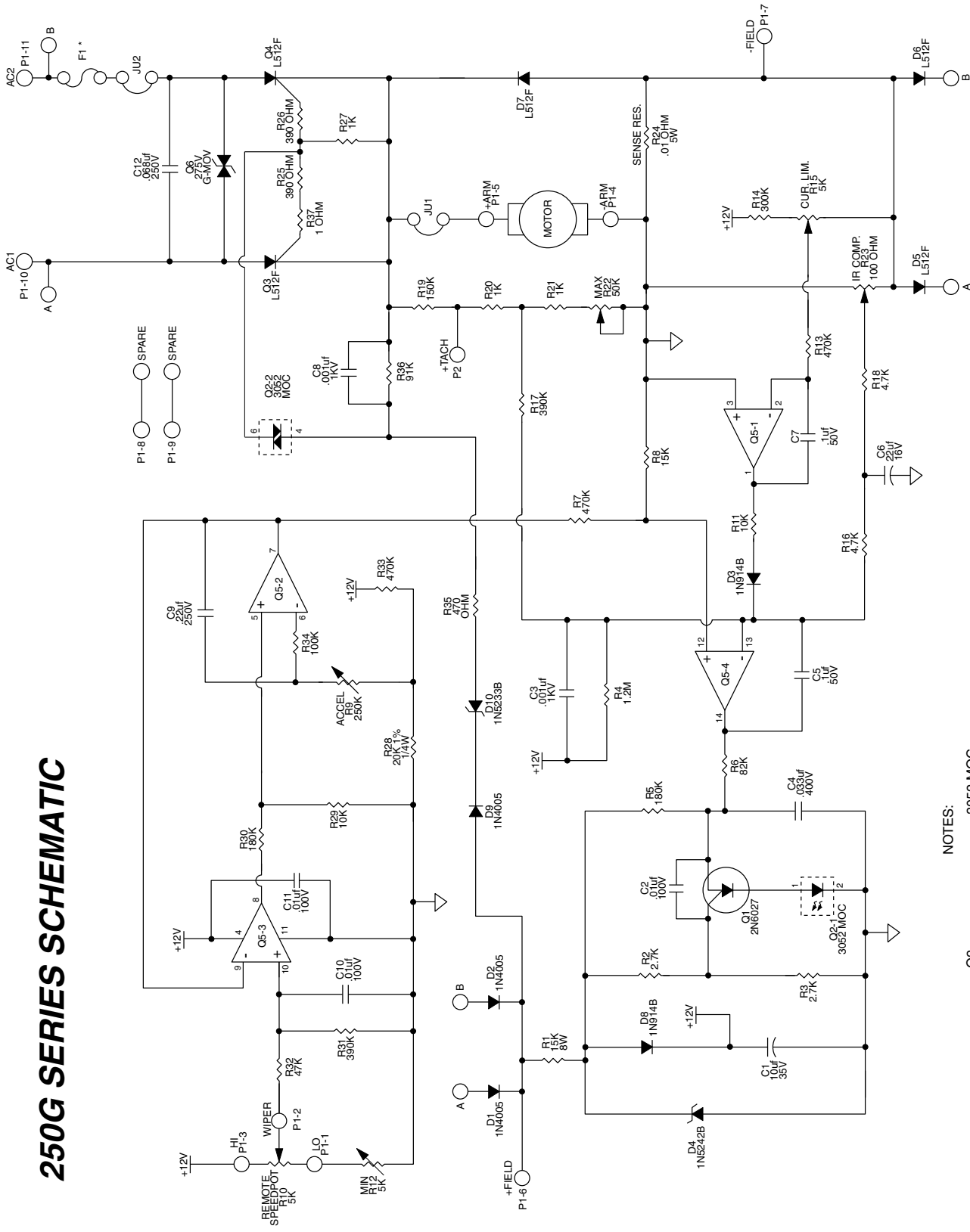
- | |
|--------------------------------------|
| C1 10uf 35V |
| C2 .01uf 100V |
| C3 .001uf 1KV |
| C4 .033uf 400V |
| C5 .1uf 50V |
| C6 22uf 16V |
| C7 .1uf 50V |
| C8 .001uf 1KV |
| C9 .22uf 250V |
| C10 .01uf 100V |
| C11 .01uf 100V |
| C12 .068uf 250V
(across-the-line) |

MISC. PARTS

- | |
|--|
| F1 10 AMP FUSE (Bussman ABC or Little Fuse 314 Series ceramic fuses) |
| H1 S-8201-1X FUSE HOLDER |
| JU1 1.75" - 16GA. SOLID INS. WIRE |
| JU2 2.50" - 16GA. SOLID INS. WIRE |
| P1 11 POS. TERMINAL STRIP |
| P2 1/4" SPADE PIN TERMINAL |

NOTE: ALL RESISTORS 1/2W UNLESS SPECIFIED
 * CUSTOMER WIRED SPEEDPOT

250G SERIES SCHEMATIC



NOTES:

- Q2 3052 MOC
- Q3, Q4, D5, D6, D7 L512FY131 GENTRON
- C5 LM324N IC
- F1 BUSS ABC-10 or LITTLEFUSE 314010

ALL RESISTORS 1/2W UNLESS NOTED OTHERWISE

NOTES:

CONTENIDO

GARANTIA.....	1
INTRODUCCION.....	2
CARACTERISTICAS DE CONTROL.....	2
DIMENSIONES DISIPADOR TERMICO.....	2
ENSAMBLE DEL JUEGO DE POTENCIOMETRO DE VELOCIDAD "SPEEDPOT"	3
PROCEDIMIENTO DE MONTAJE	3
SELECCION DE MODELO	3
PROCEDIMIENTO DE ALAMBRADO Y FUSIBLES	4
ALAMBRADO DE LA BANDA DE TERMINALES	4
DIAGRAMAS DE CONEXION PARA MODELOS DE CHASIS Y UNIDAD CERRADA	5-6
PROCEDIMIENTO DE ARRANQUE Y AJUSTE	6
PROCEDIMIENTO DE AJUSTE DEL POTENCIOMETRO REGULADOR "TRIMPOT"	7
CUADRO DE AJUSTE DEL POTENCIOMETRO REGULADOR "TRIMPOT"	7
MODIFICACIONES DEL CONTROL	8
OPERACION DE DOS VELOCIDADES	8
FRENADO DINAMICO	8
RETROALIMENTACION DEL TACOMETRO	8
INSTRUCCIONES PARA EL INHIBIDOR	8
DESCRIPCION DE LAS OPCIONES	9-13
OPCIONES -5	9-10
OPCIONES -7	9-10
OPCIONES -11/ -17B/ -29/ -29B/ -34A	10-11
EN CASO DE DIFICULTAD	13
ESPECIFICACIONES	14
CORRIENTE TIPICA DE LOS MOTORES.....	14
LISTA DE PARTES DE REPUESTO DE LA SERIE 250G	14
DIBUJO ESQUEMATICO DE LA SERIE 250G	15
PROCEDIMIENTO DE REPUESTO Y LINEA DE PRODUCTOS	CONTRAPORTADA

- (1) "speedpot" = Potenciómetro de Velocidad
(2) "trimpot" = Potenciómetro Regulador

GARANTIA

Dart Controls Inc. (DCI) garantiza que sus productos están libres de defectos de materiales y mano de obra. El único derecho que otorga esta garantía es que la fábrica DCI reemplace cualquier parte o partes del producto que dentro del término de doce (12) meses a partir de la entrega del producto al comprador la parte o partes defectuosas sean devueltas a la fábrica de DCI con todos los costos de transporte prepagados, y las cuales DCI encuentre a su satisfacción que en realidad son defectuosas. Esta garantía no cubre los defectos en montaje por personas distintas a DCI, ni ningún artículo que haya sido reparado o alterado por personas distintas a DCI, ni cualquier artículo que DCI determine que ha sido usado en forma indebida. DCI no asume ninguna responsabilidad por las características de diseño de ninguna unidad o su operación en un circuito o ensamblaje. Esta garantía sustituye cualquier otra garantía expresa o implícita. Por lo tanto cualquier otra responsabilidad u obligación de parte de DCI, incluyendo daños consecuenciales quedan aquí expresamente excluidos.

NOTA: Revise cuidadosamente el control para detectar daños sufridos en el transporte. Avise inmediatamente de cualquier daño a la compañía transportadora. No trate de operar el drive si es evidente que ha sufrido daños en el circuito o en cualquiera de sus componentes electrónicos.

Toda la información contenida en este manual se considera correcta, sin embargo datos e información que aparecen en el manual están sujetos a cambio sin aviso previo. DCI no garantiza en ninguna forma esta información o datos. Más aún, DCI no es responsable por omisiones o errores o daños consecuenciales causados por el usuario del producto. DCI se reserva el derecho de hacer cambios de fabricación que pueden no estar incluidos en este manual.

ADVERTENCIA

La instalación u operación inadecuadas de este control pueden causar lesiones al personal o fallas de control. El control debe instalarse de acuerdo con los Códigos de Seguridad nacionales, estatales y locales. Asegúrese de que la corriente de alimentación está desconectada antes de tratar de dar mantenimiento al control o remover cualquiera de sus componentes!!! Si el punto de desconexión de la corriente no está a la vista, asegúrelo en posición desconectada y coloque un aviso para evitar una aplicación inesperada de la corriente. Únicamente electricistas calificados o personal de mantenimiento calificado deben realizar tareas de mantenimiento o reparación eléctricos. Nunca debe verificarse la continuidad de un circuito haciendo corto circuito en los terminales con un destornillador o herramienta metálica.

INTRODUCCION

- El control de velocidad variable para motores de CD* de la serie 250G de Dart es un instrumento versátil de aplicación general, clasificado hasta 2HP de potencia y disponible, montado en chasis o en unidad cerrada con diversas opciones para aplicaciones específicas.
- El modelo 251G se ofrece con un rango ajustable desde 1/50 hasta 1/8 HP con corriente de entrada de 120VCA.
- El modelo 253G tiene voltaje dual de entrada (puede acomodar 120 o 240VCA). Se ofrece con un rango ajustable desde 1/8 hasta 1 HP para 120VCA y desde 1/4 hasta 2 HP para entrada de 240VCA.
- Los controles están diseñados para motores de imán permanente de CD, de devanado en derivación y algunos motores de tipo Universal (CA/CD) en los rangos de potencia (HP) especificados arriba.
- El voltaje de CA de entrada también se convierte a onda ajustable completa rectificadora de voltaje CD (usando el puente que viene empacado) para operar el motor de CD. También una onda completa de voltaje de campo se suministra para motores de devanado en derivación (vea la página 4 donde se listan los voltajes).
- El control incluye una protección para voltaje transiente con límite ajustable de corriente y un fusible de CA para protección. También incluye velocidades máximas y mínimas ajustables junto con aceleración ajustable y compensación de IR. La retroalimentación de tacómetro se obtiene a través de una conexión a la clavija (P2) en el tablero de circuito impreso.
- La serie 250G tiene una rampa lineal de aceleración/ desaceleración.
- El control tiene una banda de terminales tipo barrera para todo el alambrado de potencia y control.
- El modelo cerrado usa un ensamble de cubierta empaquetada, clasificada como NEMA 4/12.
- El control está reconocido por U.L. bajo el Standard 508, U.L. File No. E78180 (N).

CARACTERISTICAS DE CONTROL

MIN. SPEED (velocidad mínima) - Permite el ajuste de la velocidad del motor cuando el "speedpot" se fija en el mínimo (giro total a la izquierda). Esto permite que el usuario pueda eliminar la "banda muerta" en el control principal de velocidad, permitiendo la calibración a cero. Al girar el "trimpot" de "MIN" en la dirección de las manecillas de reloj, se aumenta la velocidad mínima del motor.

MAX. SPEED (velocidad máxima) - Permite el ajuste de la velocidad del motor cuando el "speedpot" se ha fijado al máximo (giro máximo a la derecha). Esta característica permite que el usuario elimine el extremo superior de la "banda muerta", lo cual proporciona velocidad máxima con rotación máxima. Al girar el "trimpot" de "MAX" en la dirección de las manecillas de reloj se aumenta la velocidad máxima del motor.

ACCEL (aceleración) - Permite el ajuste de la aceleración del motor desde un mínimo de 0.5 segundos hasta aproximadamente 8.0 segundos. El tiempo de desaceleración depende de la posición fijada en ACCEL. Para igualar el período de desaceleración, DECEL, al de aceleración, ACCEL, consulte la opción -17B.

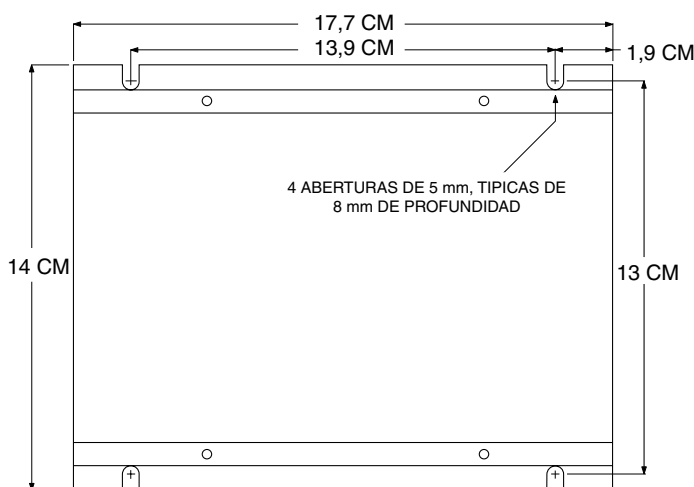
IR COMP. (regulación de velocidad) - Ajusta el control de salida para compensar cambios de velocidad causados por variaciones en la carga del motor. A medida que la carga del motor aumenta, IR COMP. aumenta el voltaje de salida del control. Al girar el "trimpot" "IR COMP" en la dirección de las manecillas del reloj se aumenta la compensación.

CUR. LIM. (límite de corriente) - Proporciona protección contra corriente excesiva de armadura, limitando la corriente máxima de la armadura que puede proporcionar el control. Esta característica permite el ajuste del momento de torsión* máximo que el motor puede proporcionar. El ajuste de límite de corriente (CUR.LIM.) está fijado en 125% de la clasificación de momento de torsión del motor, basado en su caballaje de potencia. Al girar el "trimpot" "CUR. LIM." en la dirección de las manecillas de reloj se aumenta la corriente (de torsión) que el control puede proporcionar. * En algunos países el momento de torsión se denomina "par".

TERMINAL INHIBIDOR EN CLAVIJA (P2) - Permite que el usuario pueda arrancar y parar fuertemente (rápidamente), o parar fuertemente con un arranque suave a través de una rampa ajustable de aceleración, sin interrumpir las líneas de CA (vea la página 8).

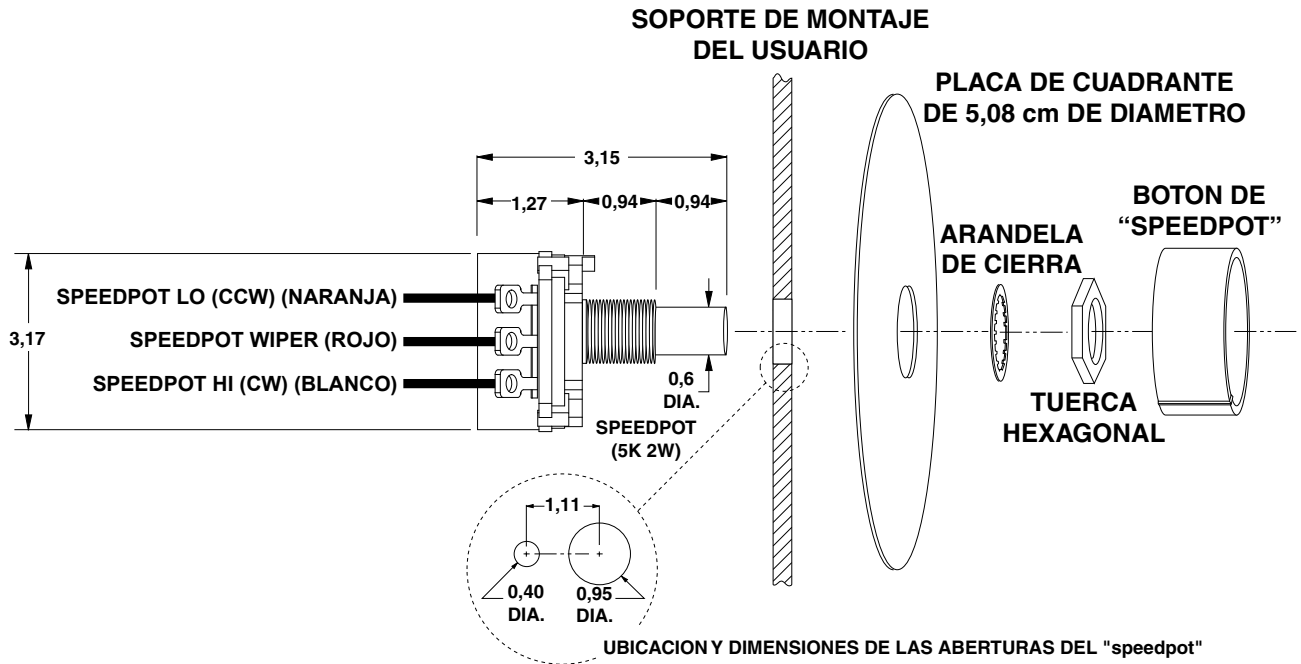
BANDA DE TERMINALES - Permite la conexión de líneas de CA, conductores del motor, campo del motor (si es necesario), y potenciómetro de velocidad.

DIMENSIONES



PARA LA VERSION SOBRE CHASIS: DEJE UNA ALTURA LIBRE DE 3,9 CM Y UNA DISPONIBILIDAD DE LARGO TOTAL DE 18,00 CM
PARA LA VERSION CERRADA: PERMITA UNA ALTURA LIBRE DE 8,9 CM Y UNA LONGITUD TOTAL DE 19,00 CM

JUEGO DE ENSAMBLE DEL "speedpot"



MONTAJE

PRECAUCION: No haga el montaje del control cuando la temperatura ambiente es menor de -10° (15°F) o mayor de 45° C (115°F).

1. Encontrará 4 aberturas con un diámetro de 0,5 cm para el montaje del control.
2. El chasis del control puede usarse como templete.
3. Use elementos estándar de ferretería para el montaje.

SELECCION DE MODELO

Nota: La corriente mínima para todos los controles 250G es de 150 mA.

CABALLOS DE POTENCIA	VOLTAJE DE ENTRADA	VOLTAJE DE SALIDA	AMPS DE SALIDA CC	CHASSIS	UNIDAD CERRADA
1/50 1/20 1/8	120 VCA	0-90 VCD	1.2A	251G-12C	251G-12E
1/8 1/4 1/3 1/2 3/4 1.0	120/240 VCA	0-90/0-180 VCD	10.8A	253G-200C	253G-200E
1.5*	240 VCA	0-180 VCD	10.8A	253G-200C	253G-200E

* No se ofrece con corriente de entrada de 120VCA - El voltaje de entrada determina la potencia máxima permisible en H.P.

La unidad 251G opera un motor de 90VCD en el rango H.P. de potencia desde 1/50 hasta 1/8 H.P., usando diferentes graduaciones de "trimpot". La unidad 253G opera un motor de 90VCD en el rango H.P. de potencia desde 1/8 hasta 1 H.P., y un motor de 180VCD en un rango de potencia desde 1/4 hasta 2 H.P., usando diferentes graduaciones de "trimpot".

ADVERTENCIAS

1. Asegúrese de que la armazón de la unidad de control está conectada a tierra en forma apropiada.
2. Las conexiones de palanca no deben abrirse o cambiarse cuando el control está operando. Esto puede causar serios daños.
3. En aplicaciones que no usan el "speedpot", las conexiones de entrada a los conductores de LO-WIPER-HI no deben estar conectadas a tierra. El control puede sufrir serios daños a causa de una entrada conectada a tierra.

PROCEDIMIENTO DE ALAMBRADO

1. **Escoja el tamaño de los conductores** que llevan corriente de la armadura o de la línea de manera que sean suficientes para estas corrientes, según lo especifican los códigos nacionales, estatales y locales. Todos los demás conductores pueden ser número 18 AWG o más pequeños, si lo permite el código local.
2. **Separe los conductores de control** de los de armadura y línea de CA cuando los instale en conductos o en bandejas de cables. El modelo cerrado tiene dos aberturas de 1/2" NPT en la placa del extremo ubicada cerca a la banda de terminales, para este propósito.

FUSIBLES INSTALADOS POR EL USUARIO

El modelo 250G está provisto de un fusible en la línea 1 de CA (P1-11). Este fusible está dimensionado para que se abra en caso de que ocurra un corto circuito en la armadura o si una línea de la armadura entra en corto circuito con una línea de tierra. Siempre que la alimentación de 120VCA esté conectada apropiadamente, no hay necesidad de instalar fusibles adicionales.

Para las aplicaciones de 240VCA se puede usar un fusible externo en la línea 2 de CA (P1-10). Este fusible debe ser un Bussman ABC10 o un LittleFuse 314-010. Este fusible adicional proporciona protección en ambas ramas de CA al modelo 250G. Si el usuario no desea poner fusibles en ambas ramas, el fusible en el control se abrirá en caso de que ocurran corrientes excesivas de armadura.

Nota: La corriente de CA está determinada por las características del motor. En algunas aplicaciones puede ser necesario aumentar la capacidad del fusible.

ALAMBRADO DE LA BANDA DE TERMINALES

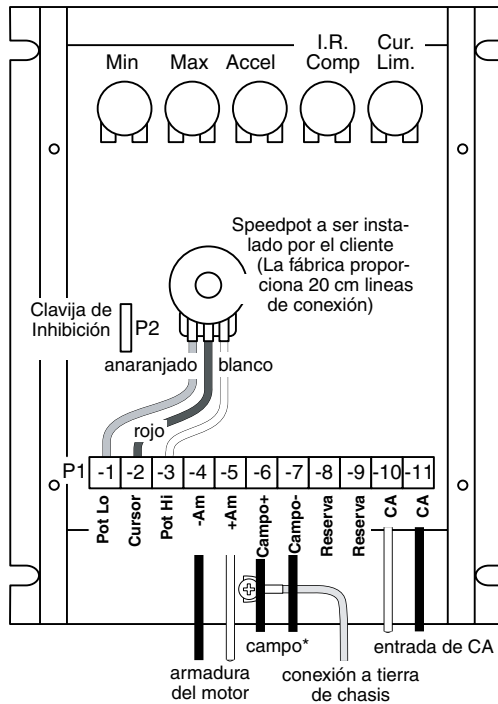
La serie 250G tiene una banda de terminales de 11 posiciones para facilitar las conexiones.

- P1-1** ("speedpot" LO) Conecta al lado bajo (alambre naranja) del "speedpot" de 5K (normalmente el extremo de giro máximo a la izquierda). Este nivel de entrada se puede subir o bajar por medio del "trimpot" MIN. La entrada de velocidad electrónica (seguidor de voltaje) puede referenciarse al "speedpot" LO si los ajustes del "trimpot" MIN van a ser activados. De otra manera, las entradas pueden referirse a -ARM, lo cual las desvía del "trimpot" de MIN.
NOTA: LA ENTRADA NO DEBE CONECTARSE A TIERRA!!
- P1-2** ("speedpot" WIPER) Conecta al "wiper" (alambre rojo) del "speedpot" de 5K (conductor del centro). Para aplicaciones de seguidor de voltaje esta ENTRADA NO DEBE SER MAYOR DE +12 VOLTIOS MÁXIMO, Y NO DEBE ESTAR CONECTADA A TIERRA.
- P1-3** ("speedpot" HI) Conecta al lado alto (alambre blanco) del "speedpot" de 5K (el extremo de giro máximo a la derecha). Esto es +12 voltios internos. Para aplicaciones de arranque-parada la conexión entre este terminal y el "speedpot" HI puede abrirse y cerrarse con un interruptor SPST.
NOTA: LA ENTRADA NO DEBE ESTAR CONECTADA A TIERRA.
- P1-4** (-ARM) Conecta al menos (-) del alambre de armadura (A2) en el motor. Para aplicaciones de seguidor de voltaje donde el "trimpot" MIN va ser desviado, conecte el menos (-) del seguidor a este terminal.
- P1-5** (+ARM) Conecta al más (+) del alambre de la armadura (A1) del motor, 0-90VCD para entrada de 120VCA o 0-180VCD para entrada de 240VCA. Vea las "ESPECIFICACIONES" para la clasificación de salida.
- P1-6** (+FIELD) NO USE ESTA CONEXIÓN con motores de imán permanente. Esta conexión proporciona voltaje de +Field a motores de DEVANADO EN DERIVACIÓN. Consulte la tabla de Voltajes de Campo. En motores con campo de voltaje dual (por ejemplo, 50/100V o 100/200V) asegúrese que conecta el valor más alto.

TABLA DE VOLTAJE DEL CAMPO		
VOLTAJE CA DE ENTRADA	120	240
VOLTAJE CD DE CAMPO	100	200

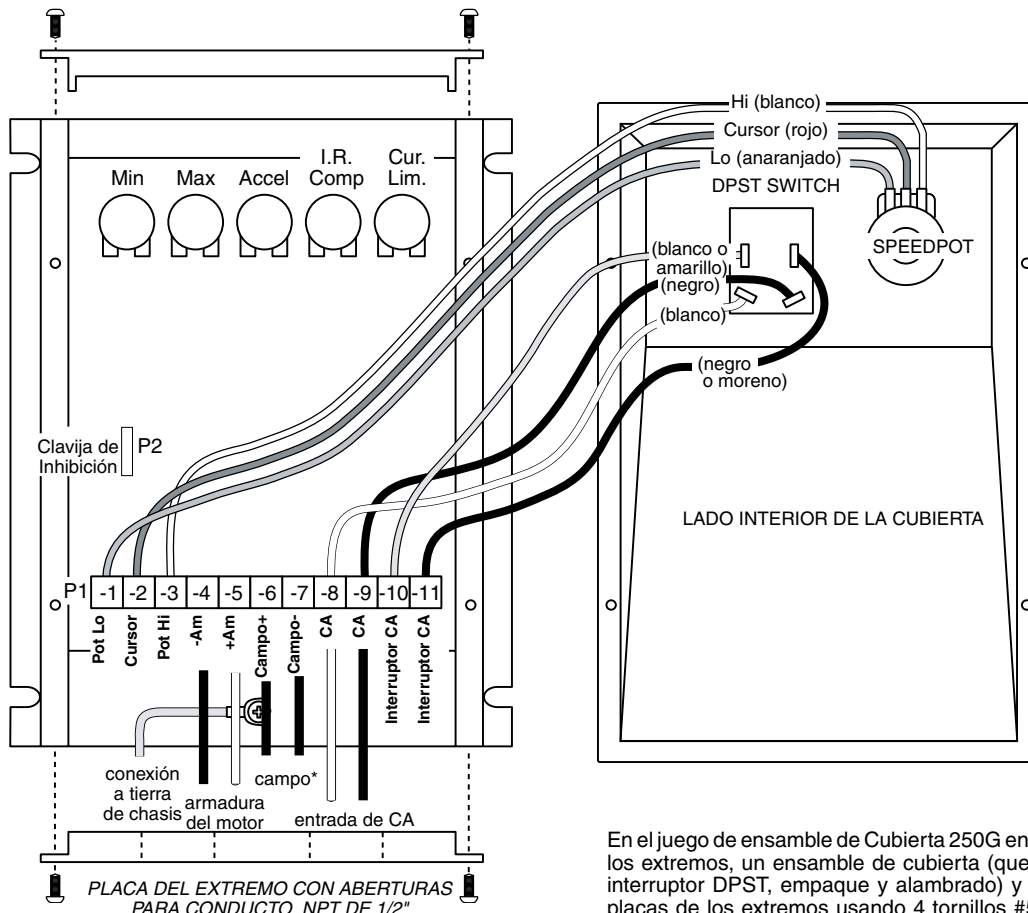
- P1-7** (-FIELD) Conecte el alambre de campo menos (-) del motor de devanado en derivación.
- P1-8** } ¡¡¡MUY IMPORTANTE !!!
P1-9 } **VERSIÓN DE CHASIS:** Consulte la sección sobre "FUSIBLES INSTALADOS POR EL USUARIO" que aparece arriba.
UNIDAD CERRADA: (CONEXIÓN LIBRE) No haga conexiones a P1-8 ni a P1-9.
- (CA) 120VCA - Conecte el alambre energizado de entrada de CA (alambre negro) al P1-9 y el neutro (alambre blanco) a P1-8. Conecte el alambre de conexión a tierra (alambre verde) al conector de Tierra del Chasis, como se indica en el diagrama de la página 5.
- 240VCA - Conecte ambos lados energizados uno a P1-8 y el otro a P1-9. También conecte el cable de conexión a tierra al punto de Tierra del Chasis.
- P1-10** } ¡¡¡MUY IMPORTANTE !!!
P1-11 } **VERSIÓN DE CHASIS:** Consulte la sección sobre "FUSIBLES INSTALADOS POR EL USUARIO" que aparece arriba.
- (CA) 120VCA - Conecte el alambre de entrada energizado (alambre marrón o negro) a P1-11 y el Neutro (alambre blanco o amarillo) a P1-10. Conecte el alambre de conexión a tierra (alambre verde) al punto de Tierra del Chasis.
- 240VCA - Conecte ambos lados energizados, uno a P1-10 y el otro a P1-11. Conecte el alambre de Conexión a Tierra al punto de Tierra del Chasis.
- UNIDAD CERRADA:** (SWITCHED CA) - No haga conexiones a P1-10 ni a P1-11. Este terminal es para la salida de CA conmutada. Consulte el "ALAMBRADO DE FÁBRICA" (página 5). Las luces piloto pueden ser conectadas entre estos terminales. El voltaje en los terminales es el voltaje de entrada de CA.

DIAGRAMA DE CONEXIÓN DE LA SERIE 250G DE CHASIS



* Usado para motores de devanado en derivación únicamente! No haga conexiones a estos terminales cuando use motores de imán permanente.

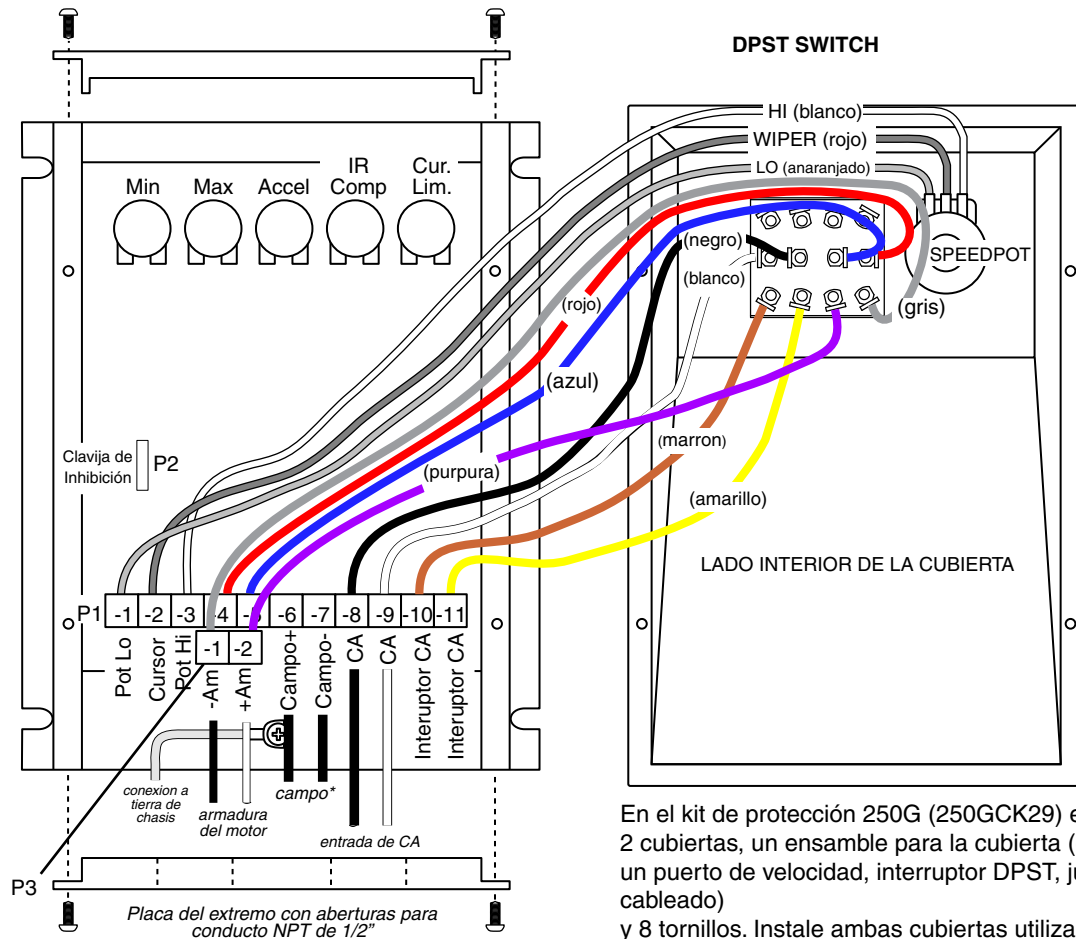
DIAGRAMA DE CONEXIÓN DE LA SERIE 250G DE UNIDAD CERRADA



En el juego de ensamble de Cubierta 250G encontrará 2 placas para los extremos, un ensamble de cubierta (que contiene "speedpot", interruptor DPST, empaque y alambrado) y 8 tornillos. Instale las placas de los extremos usando 4 tornillos #5 y el ensamble de la cubierta usando 4 tornillos #6. Antes de atornillar el ensamble de la cubierta, pase el alambrado a través de las aberturas de conducto en la placa del extremo más cercano a la banda de terminales.

* Usado para motores de devanado en derivación únicamente! No haga conexiones a estos terminales cuando use motores de imán permanente.

-29 DIAGRAMA DE LA TRANSMISIÓN EN CIRCUITO



En el kit de protección 250G (250GCK29) encontrará 2 cubiertas, un ensamble para la cubierta (conteniendo un puerto de velocidad, interruptor DPST, junta y cableado) y 8 tornillos. Instale ambas cubiertas utilizando los tornillos N°5 (4) y el ensamble para la cubierta utilizando los tornillos N°6 (4). Antes de atornillar el ensamble para la cubierta, instale los cables a través de los conductos de la cinta de conexiones.

* Utilizado sólo para motores en derivación. Al utilizar motores magnéticos permanentes no se realizan conexiones a estos terminales.

Advertencia: No trate de hacer una prueba de Hi-Potenciómetro a través de las líneas de CA con el control en circuito. Esto puede ocasionar daño inmediato o permanente al control.

PROCEDIMIENTO DE ARRANQUE

ADVERTENCIA: TODA LA CORRIENTE DE ALIMENTACIÓN DEBE ESTAR APAGADA ANTES DE PROCEDER!!!

1. Verifique cuidadosamente todo el alambrado. Los contactos accidentales a tierra o alambres sueltos o enredados en la armadura o en el "speedpot" pueden dañar el control cuando se conecte la corriente.
2. Verifique que la corriente de entrada es del voltaje requerido.
3. Gire el "speedpot" a cero (giro total a la izquierda).
4. Conecte la corriente y avance el "speedpot" observando el motor.
ADVERTENCIA: LA CORRIENTE DEBE APAGARSE ANTES DE PROCEDER CON EL PASO 5!
5. Si la rotación del motor no es la correcta, apague la corriente en un punto de conexión externa e invierta las conexiones +ARM y -ARM.
6. Verifique que el motor opera satisfactoriamente a través de todo su rango de velocidad.
7. Si la operación es satisfactoria no es necesario hacer ningún ajuste.
8. Si se observa inestabilidad o funcionamiento irregular o si la velocidad máxima es más alta que la que se desea, consulte la sección "AJUSTE DEL trimpot" (páginas 6 y 7).
9. Si encuentra otros problemas consulte en la página 12 la sección "EN CASO DE DIFICULTAD".

AJUSTES

Los ajustes del "trimpot", MIN, MAX, IR COMP, y CUR. LIM. han sido verificados en fábrica usando un motor típico de 240VCA de entrada. Use el **CUADRO DE GRADUACIÓN DEL "trimpot"** en la página 7 para poner los "trimpot" en la graduación apropiada a su aplicación. El "trimpot" restante - ACCEL, es una aceleración variable que debe graduarse para su aplicación particular.

El Cuadro de Graduación del "trimpot" es aproximado. El Cuadro es válido cuando se usa el "speedpot" o una señal de entrada de 0-10/12VCD para graduar la velocidad.

Estos ajustes son permanentes y normalmente no se requiere hacer ajustes periódicos. La operación del control más allá de $\pm 10\%$ del voltaje de línea podría requerir reajustes.

PROCEDIMIENTO DE AJUSTE DEL "trimpot"

"TRIMPOT"	FUNCIÓN	AJUSTE
MAX	ESTABLECE LA VELOCIDAD MÁXIMA DEL MOTOR cuando el "speedpot" se gira al máximo (100% de rotación, giro máximo a la derecha). El giro en la dirección de las manecillas de reloj del "trimpot" MAX aumenta la velocidad máxima del motor.	<ol style="list-style-type: none"> 1. APAGUE LA CORRIENTE DE ALIMENTACIÓN. 2. Conecte un Voltímetro de CD: + a +ARM y - a -ARM. 3. Gradúe el rango de voltaje del voltímetro: (90VCD o 180VCD) 4. Encienda la corriente. Coloque el "speedpot" en la graduación a 100%. 5. Ajuste el "trimpot" MAX al voltaje de armadura de la clasificación del motor según lo indica el voltímetro. <p>NOTA: Se puede usar un tacómetro o un estroboscopio en lugar del voltímetro. Siga los pasos descritos arriba excepto que debe ajustar el "trimpot" MAX a la velocidad base de clasificación del motor indicada por el tacómetro o el estroboscopio.</p>
MIN	ESTABLECE LA VELOCIDAD MÍNIMA DEL MOTOR cuando el "speedpot" se coloca en cero. El giro en la dirección de las manecillas de reloj aumenta la velocidad mínima del motor.	<ol style="list-style-type: none"> 1. Coloque el "speedpot" en cero (giro total a la izquierda). 2. Gire el "trimpot" MIN en el sentido de las manecillas de reloj hasta que el motor principie a girar. 3. Lentamente gire el "trimpot" en la dirección opuesta a las manecillas de reloj hasta que el motor se detenga. NOTA: Si se desea que el motor gire en la graduación cero, gire el "trimpot" MIN en la dirección de las manecillas de reloj hasta que se llegue a la velocidad mínima deseada.
IR COMP.	CALIBRA LA REGULACIÓN DE LA VELOCIDAD - Proporciona una forma de mejorar la regulación de la velocidad del motor en la modalidad de realimentación de la armadura. Si es admisible una reducción en la velocidad debido a un cambio en la carga, gire este "trimpot" completamente a la izquierda.	<ol style="list-style-type: none"> 1. Coloque el "speedpot" en 50%. 2. Observe la velocidad del motor sin carga. 3. Aplique la carga completa al motor. 4. Ajuste el "trimpot" IR COMP en la dirección de las manecillas de reloj para obtener la misma velocidad que el motor tenía sin carga.
CUR. LIM.	LIMITA LA CORRIENTE DE LA ARMADURA EN EL MOTOR DE CD (Torsión) para evitar daño al control. El límite de corriente depende de la corriente de clasificación del motor. El giro de este "trimpot" en la dirección de las manecillas de reloj aumenta la corriente de la armadura (o torsión producida).	<ol style="list-style-type: none"> 1. APAGUE LA CORRIENTE DE ALIMENTACIÓN. 2. Conecte un amperímetro de CD entre A1 en el motor y +ARM en el control. Esta conexión es en serie con el motor. 3. Encienda la corriente. 4. Coloque el "speedpot" en la posición de 50%. 5. Gire el "trimpot" CUR. LIM. totalmente a la izquierda. 6. Aplique freno de fricción al eje del motor hasta que el motor se detenga (cero RPM). 7. Mientras el motor se encuentra detenido coloque la corriente a 125% de la corriente de armadura de clasificación del motor ajustando el "trimpot" CUR. LIM.
ACCEL	PERMITE AL USUARIO EL AJUSTE DE LA ACELERACIÓN.	<ol style="list-style-type: none"> 1. El giro en la dirección de las manecillas de reloj aumenta el tiempo de aceleración.

CUADRO DE GRADUACIÓN DEL "trimpot"

- * Estas graduaciones son aplicables cuando se usa un "speedpot" Maestro de 5000 (ICON).
- * Las graduaciones son diferentes cuando se usan varias opciones, tales como la opción -5 o la opción -7.
Para la opción -17B, Accel/Decel es 20 segundos cuando el potenciómetro se gira totalmente a la derecha (en la dirección de las manecillas de reloj).
- * Este cuadro de "trimpot" es aproximado. Uselo junto con los Procedimientos de Ajuste.

	MIN	MAX	ACCEL	IR	C.L.	H.P.	VOLT. DE ENT.	VOLT. DE SAL.
251G						1/50	120VCA	0-90VDC
						1/20	120VCA	0-90VDC
						1/8	120VCA	0-90VDC
G32N						1/8	120VCA	0-90VDC
						1/4	120VCA	0-90VDC
						1/3	120VCA	0-90VDC
						1/2	120VCA	0-90VDC
						3/4	120VCA	0-90VDC
						1.0	120VCA	0-90VDC

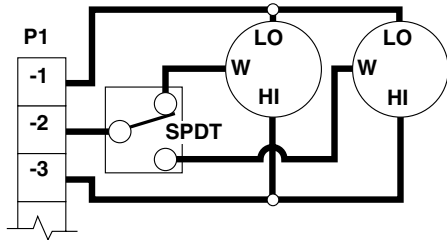
	MIN	MAX	ACCEL	IR	C.L.	H.P.	INPUT VOLTAGE	OUTPUT VOLTAGE
253G						1/4	240VCA	0-180VDC
						1/2	240VCA	0-180VDC
						3/4	240VCA	0-180VDC
						1.0	240VCA	0-180VDC
						1.5	240VCA	0-180VDC
						2.0	240VCA	0-180VDC

MODIFICACIONES DEL CONTROL

OPERACIÓN DE DOS VELOCIDADES

La operación con dos potenciómetros se hace usando dos potenciómetros de velocidad de 10K Ohmios en paralelo (ambos HI a P1-3 y ambos LO a P1-1). El WIPER se conmuta usando un interruptor SPDT.

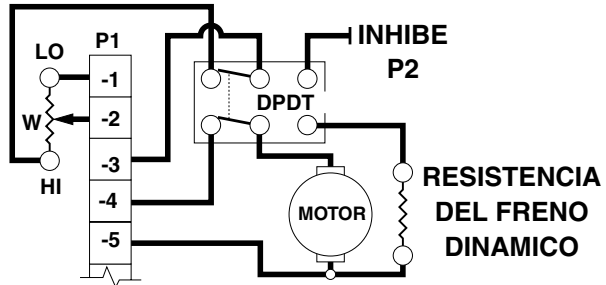
DOS "speedpot" DE 10K



FRENADO DINÁMICO

Se usa un interruptor DPDT para inhibir el control y conectar el DBR. Los valores típicos del DBR (Dynamic Brake Resistor, resistencia de freno dinámico) son 5 Ohmios para 120V, y 10 Ohmios para 240V (ambos 35W a 50W). Note que la potencia en HP del motor, la inercia y el tiempo del ciclo afectan el dimensionamiento del DBR.

NOTA: Esta modificación no puede ser usada con la opción -17B.



RETROALIMENTACIÓN DE TACÓMETRO

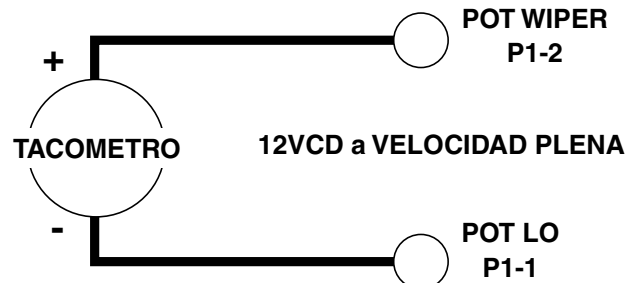
Mejora la regulación de la velocidad a $\pm 1/2\%$ de la velocidad básica. El control llega a su salida máxima cuando la entrada llega a cero, por encima y más allá de la graduación del "trimpot" MAX.



NOTA: NECESITA POR LO MENOS 1% - DISTORSION EN LA ONDA DE SALIDA DEL TACOMETRO

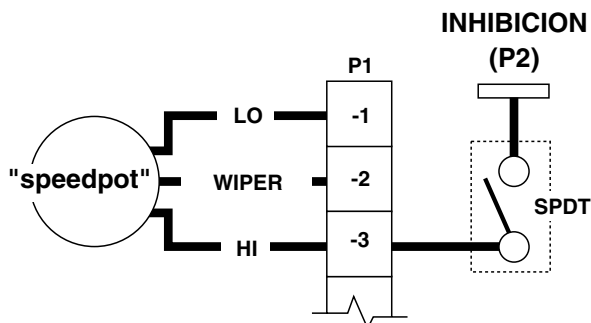
SEGUIDOR DE TACOMETRO

Permite que el control de salida siga el voltaje del tacómetro.



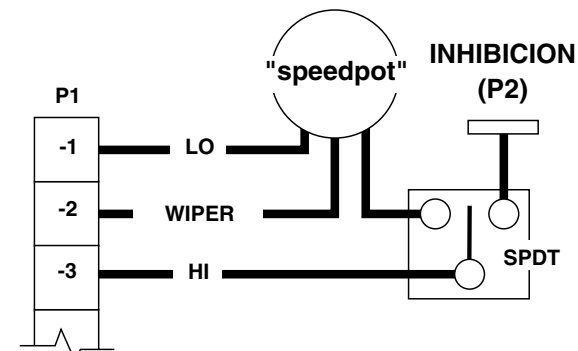
INHIBICIÓN (USADA INDEPENDIENTEMENTE)

El interruptor SPST, suministrado por el usuario, se conecta en serie entre el "speedpot" HI (P1-3) y la clavija de Inhibición (P2). Para inhibir, el "speedpot" HI se cierra a la clavija de Inhibición. Para reiniciar la operación el interruptor se vuelve a su posición abierta. **NOTA:** El control detiene rápidamente y arranca el motor rápidamente, el ACCEL queda en desvío.



INHIBICION (USADO CON "speedpot")

El contacto Común del interruptor SPDT se conecta al potenciómetro de control HI y conmuta entre "speedpot" HI y la clavija de Inhibición P2. Para inhibir (detener el motor) el "speedpot" HI se cierra a la clavija de Inhibición. Para reiniciar la operación, el interruptor se devuelve a "speedpot" HI. **NOTA:** El control detiene rápidamente y arranca suavemente a través de un rango de aceleración fijado.



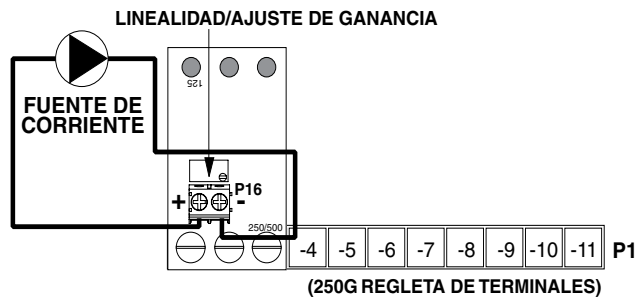
NOTA: PERMITE ARRANCAR Y DETENER EL MOTOR SIN INTERRUPIR LAS LÍNEAS DE CA. EN CASO DE QUE FALLE EL SCR O HAYA DISPARO EN FALSO, EL CIRCUITO DE INHIBICIÓN NO DETIENE EL MOTOR.

DESCRIPCIÓN DE LAS OPCIONES

opción -5

Seguidor de señal aislado de 4-20 ma.

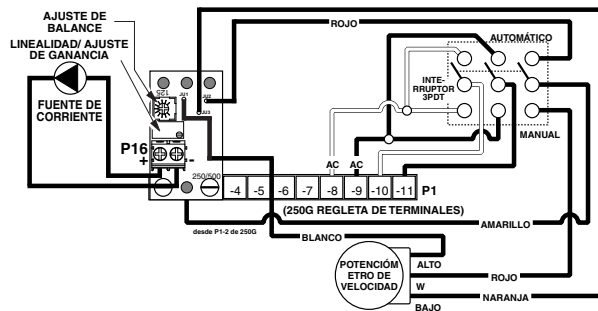
Instalación en el campo o en fábrica
Para Modelos de Chasis Unicamente



opción -7

Seguidor de señal aislado de 4-20 ma.
con Interruptor manual/automático

Cerrado - Sólo instalación en fábrica
Chasis - Instalación en el campo o en fábrica
Chasis - interruptor y cableado provisto
por el cliente



PROCEDIMIENTO DE LA TRANSMISIÓN EN CIRCUITO DE LA OPCIÓN -5 y -7

NO USE LA TABLA DEL POTENCIÓMETRO DE AJUSTE PARA AJUSTAR LOS POTENCIÓMETROS MÍN. Y MÁX. EN EL TABLERO PRINCIPAL. SI ES NECESARIO AJUSTARLOS, CONSULTE EL PROCEDIMIENTO DE AJUSTE SIGUIENTE.

La opción -5 es una tarjeta de señal aislada de 4-20 mA que reemplaza el potenciómetro de velocidad con control de velocidad. La entrada de señal 4-20 mA se puede conectar o no a tierra. El tablero permite que los espaciadores sean atornillados a las terminales del potenciómetro HI, contacto deslizante y terminales LO en el tablero principal usando tornillos largos. La fuente de corriente se conecta a la regleta de terminales de dos posiciones + y - (P16-1 y -2) en el tablero de la opción -5.

El potenciómetro de Linealidad en el tablero de la opción -5 se ha ajustado en fábrica para obtener la linealidad apropiada; sin embargo, esta posición necesita ser reajustada después de ajustar la configuración Máx. y Mín. del potenciómetro en el control para su aplicación específica. Si es necesario, consulte el procedimiento de ajuste siguiente.

La opción -7 también es una tarjeta de señal aislada 4-20 mA, pero permite que el control sea accionado, ya sea en el modo Manual por medio de un potenciómetro de velocidad o el modo Automático por medio de la señal 4-20 mA. Esta opción también incluye un potenciómetro de Balance que se usa para escalar la velocidad máxima en el modo Manual. Es ajustado en fábrica, así que la velocidad máxima en el modo Manual es igual a la velocidad máxima en el modo Automático.

El potenciómetro de Linealidad en el tablero de la opción -7 está ajustado en fábrica obtener la linealidad apropiada; sin embargo, puede ser necesario volver a ajustar este potenciómetro después de ajustar la configuración Máx. y Mín. del potenciómetro en el control o si el potenciómetro de Balance en la opción -7 debe ser reajustado para su aplicación específica. Si es necesario, consulte el procedimiento de ajuste siguiente.

El siguiente, es el procedimiento recomendado para ajustar la opción -5/-7 en las Series 250:

- 1) Con el 250 orientado de forma que los potenciómetros estén a lo largo de la parte superior, ajuste el potenciómetro Mín. al mínimo (giro completo en el sentido de las manecillas del reloj) y el potenciómetro Máx. en 50%. El voltaje se ajusta por debajo del voltaje de motor habitual para asegurarse que la transmisión NO esté saturada antes de ajustar el punto de saturación del tablero -5/-7.
- 2) Ajuste el potenciómetro de Linealidad/ganancia en la opción -5/-7 con un giro total en el sentido de las manecillas del reloj. Éste es un potenciómetro de 20 giros y debe oír un chasquido con cada vuelta cuando esté completamente girado o sólo cuente 20 vueltas.
- 3) Asegúrese de que su motor esté conectado a la salida +/-ARM de la transmisión, el interruptor AUTO / MAN esté en modo AUTO para las opciones -7 y que la fuente de energía del control esté encendida. (Nota: Para un ajuste adecuado, esta configuración se realiza mejor en un motor descargado.)
- 4) Con la potencia aplicada y un voltímetro que controle la salida Vdc del motor, aplique el tablero 4mA a -5/-7. Verifique la lectura del voltímetro y ajuste el potenciómetro de ajuste de Linealidad/ganancia, R16, en el tablero -5/-7 en contra de las manecillas del reloj hasta que el voltaje de salida del motor sea menor a 0.1Vdc.
- 5) Ahora aplique 20mA al tablero de -5/-7 y ajuste el Máximo potenciómetro de ajuste a un voltaje que esté 5 voltios (15 voltios para los controles de la serie 250G) por encima de la salida de voltaje máxima final del motor deseada. Ajuste el potenciómetro de Linealidad/ganancia en el tablero -5/-7 girando en contra del sentido de las manecillas del reloj hasta que el voltaje de salida del motor descienda al punto de ajuste de voltaje máximo deseado.
- 6) Ahora, aplique de nuevo 4mA al tablero -5/-7 y ajuste el potenciómetro de ajuste Mín. a la banda muerta o a la salida de voltaje mínima del motor deseada. El punto de banda muerta es donde está en 0Vdc y cualquier incremento adicional del potenciómetro de ajuste Mín. resultará en una salida hacia el motor. Vuelva a aplicar 20mA al tablero -5/-7 y verifique que no se haya cargado la salida máxima. Tal vez sea necesario hacer un pequeño ajuste al potenciómetro de ajuste Máximo para reajustar la salida máxima deseada.
- 7) Ajuste la entrada 4-20 a 12mA. Si el ajuste es el adecuado el voltaje de salida de un motor descargado debe estar dentro de unos pocos voltios de 1/2 salida (con base en la configuración de salida máxima anterior).

Opción -7 solamente: Con una potencia de 20mA aplicada a la opción -7 en el modo Automático, mueva el interruptor AUTO/MANUAL a MANUAL.

- 8) En el modo manual gire el potenciómetro de velocidad completamente en el sentido de las manecillas del reloj, observe la lectura de salida de voltaje del motor en el voltímetro. Si no es igual a la salida a 20mA en el Modo Automático, ajuste el potenciómetro de Balance en el tablero -7 (En ambos sentidos de giro de las manecillas del reloj) hasta que se alcance la misma lectura. Los Vdc de salida del motor no deben cambiar más que 1 Vdc cuando se alterne entre la posición AUTO y MANUAL.

opción -11 **"speedpot" de 10 Giros**

**Instalado en la Fábrica Únicamente
Para Modelos de Chasis Únicamente**

Proporciona un control muy preciso de la velocidad. Use las instrucciones estándar de instalación y el Cuadro de Graduación de "trimpot" de la página 7.

opción -17B Cambio del Tiempo de Aceleración

Instalado en Fábrica Únicamente
Disponible en Todos los Modelos

La aceleración estándar puede variarse desde 0.5 hasta 8.0 segundos por medio del "trimpot". La desaceleración puede variarse desde 0.06 hasta 0.8 segundos. Con esta opción se extiende la aceleración máxima de manera que el rango se sitúa entre 0.8 y 20.0 segundos. Más aún con esta opción el tiempo de desaceleración iguala el tiempo de aceleración de manera que la desaceleración varía también desde 0.8 hasta 20.0 segundos (depende de la graduación en Accel, no es, por lo tanto, una graduación independiente).

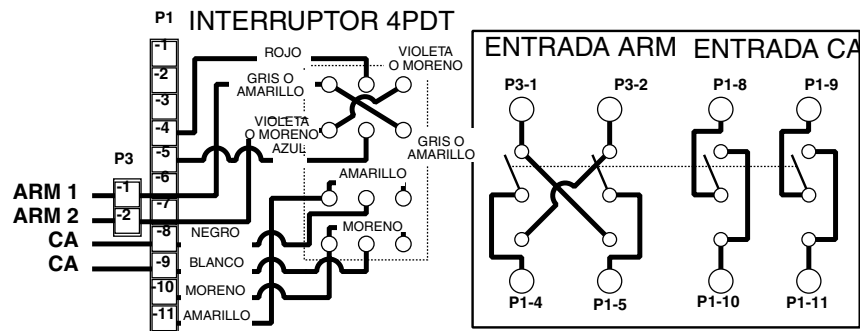
USE LAS INSTRUCCIONES ESTANDAR DE INSTALACION

opciones -29 y -29B -29 Instalada en Fábrica Únicamente en Unidades Cerradas Reverso Manual -29B Para Unidades de Chasis*

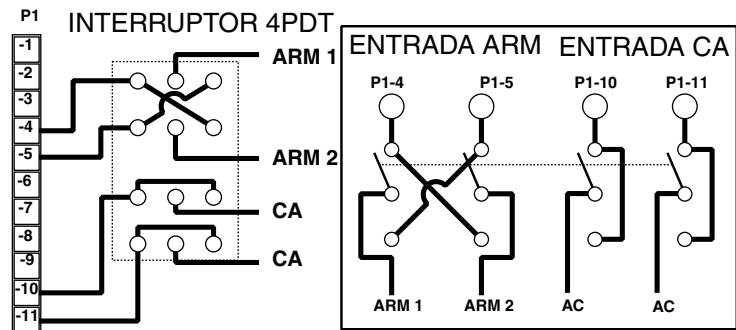
Permite poner el motor en reverso. Esto se hace usando un interruptor 4PDT con el centro bloqueado. Cuando el interruptor alterna entre marcha hacia adelante y marcha hacia atrás se crea una demora debido a la posición del centro, bloqueada que protege el control de cualquier voltaje presente en los terminales de la armadura. La posición del centro es OFF/NEUTRAL (apagado/neutro).

EL MOTOR DEBE PARAR COMPLETAMENTE ANTES DE CAMBIAR DIRECCION. SI EL MOTOR NO HA LLEGADO A PARAR COMPLETAMENTE, EL CONTROL PUEDE SUFRIR DAÑOS SERIOS. EL DESVIAR LA CONEXION DEL BLOQUE DEL CENTRO DEL INTERRUPTOR PUEDE CAUSAR DAÑOS AL CONTROL.

OPCION -29 (VERSION DE UNIDAD CERRADA) Un interruptor 4PDT con el centro bloqueado se instala en la fábrica en el ensamble de la cubierta. La banda de terminales de dos posiciones (P3) se instala en la fábrica en el tablero principal (véase el diagrama de abajo). La salida en P3 es la salida conmutada (FWD/REV, HACIA ADELANTE/ REVERSO) y la salida de los terminales P1-4 y P1-5 no es conmutada.



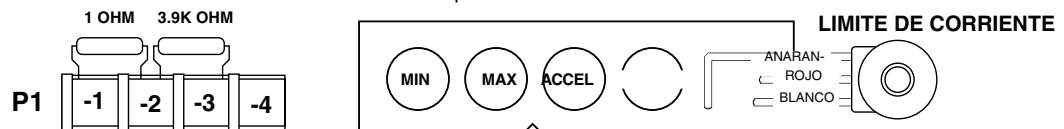
OPCION -29B (VERSION EN CHASIS) * Control 250G con interruptor 4PDT (instalado en fábrica). El usuario proporciona el alambrado de la interconexión.



opción -34A Control de Torsión

Instalado en Fábrica Únicamente
Disponible en la Unidad Cerrada Únicamente

La TORSION (LIMITE DE CORRIENTE DEL "trimpot") está controlada por el potenciómetro montado en la placa del frente. Por lo tanto, el "trimpot" MIN montado internamente se convierte en el "speedpot". Este "speedpot" puede cambiarse a una ubicación separada, removiendo las resistencias fijas conectadas en P1-1 hasta P1-3 e instalando un potenciómetro estándar 5K 2W.



NO USE EL CUADRO DE GRADUACIONES DE "trimpot"!

EN CASO DE DIFICULTAD

Si un control recién instalado no opera es posible que haya un terminal o una conexión suelta. Verifique para asegurarse que todas las conexiones se han hecho correctamente y están seguras. Si todavía el control no opera, consulte el cuadro siguiente.

PROBLEMA	POSIBLES CAUSAS	ACCIONES CORRECTIVAS
El motor no opera	<ul style="list-style-type: none"> - fusible quemado - fuente de corriente de alimentación incorrecta o inexistente - "speedpot" graduado en cero - escobillas del motor gastadas 	<p>reemplace el fusible instale un servicio apropiado desde la fuente de alimentación</p> <p>ajuste el "speedpot" en la dirección de las manecillas del reloj para arrancar reemplace las escobillas del motor</p>
El motor se detiene u opera muy lentamente con el "speedpot" girado totalmente a la derecha	<ul style="list-style-type: none"> - bajo voltaje - condición de sobrecarga - escobillas del motor gastadas - velocidad máxima graduada incorrectamente 	<p>verifique que el voltaje esté por encima de 108V reduzca la carga reemplace las escobillas del motor vea el PROCEDIMIENTO DE AJUSTE</p>
El motor funciona erráticamente	<ul style="list-style-type: none"> - demasiado IR COMP. - el motor está en el límite de corriente - el motor no está absorbiendo suficiente corriente - el "trimpot" MAX está graduado demasiado alto - la velocidad del motor excede la velocidad de clasificación 	<p>vea el PROCEDIMIENTO DE AJUSTE vea el PROCEDIMIENTO DE AJUSTE la corriente debe ser de más de 150 mA CD vea el PROCEDIMIENTO DE AJUSTE reduzca la velocidad</p>
Los fusibles se queman repetidamente	<ul style="list-style-type: none"> - bajo voltaje - condición de sobre carga - escobillas del motor gastadas - cojinetes del motor defectuosos - componente eléctrico defectuoso 	<p>verifique que el voltaje esté por encima de 108V reduzca la carga reemplace las escobillas reemplace los cojinetes llame al Distribuidor de Dart o a su Representante</p>
El motor opera pero no se detiene	<ul style="list-style-type: none"> - alambrado incorrecto (en la unidad cerrada) - alambrado defectuoso - componente defectuoso 	<p>verifique el ALAMBRADO EN LA BANDA DE TERMINALES para determinar si las instrucciones de alambrado se han seguido correctamente (en particular verifique las conexiones de la línea de CA)</p> <p>verifique el alambrado llame al Distribuidor de Dart o a su Representante</p>

Si el control continúa sin operar consulte al Distribuidor de Dart o a su Representante.

ESPECIFICACIONES

Voltaje de entrada de CA..... ±10% del voltaje nominal de línea
 Aceleración..... 0.5 a 8.0 segundos (note la opción 17B)
 Amperios - salida de CD 150 mA a 10.8 Amps. CD
 Capacidad del controlador de sobrecarga..... 150% por un minuto
 Rango de corriente límite de "trimpot"..... 0.3 a 3.0 Amps. CD (251G); 1.0 a 15.0 Amps. CD (253G)
 Desaceleración (depende de la graduación del tiempo de aceleración rango de .06 a .80 segundos
 Dimensiones y peso:

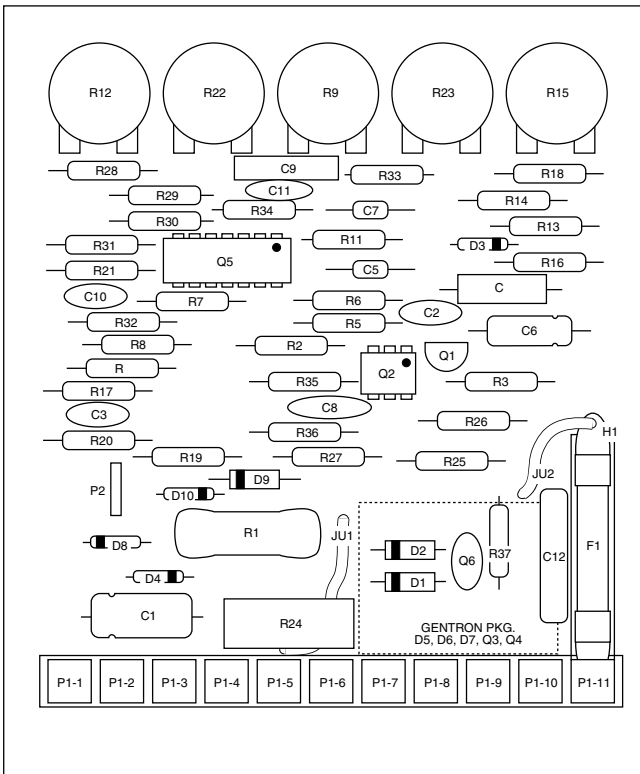
	ANCHO	LARGO	PROFUNDIDAD	PESO	TIPO
SISTEM	5.530"	7.250"	3.500"	23.50 oz.	Unidad cerrada
A INGLES	5.530"	7.000"	1.550"	16.25 oz.	Chasis
SISTEMA	140mm	184mm	89mm	597 gms.	Unidad cerrada
METRICO	140mm	178mm	39mm	413 gms.	Chasis

Factor de servicio de impulsión 1.0
 Eficiencia típica 85%
 Frecuencia de la corriente de entrada 50 o 60 Hz
 Rango de velocidad del "trimpot" MAX..... de 66% a 110% de la velocidad básica
 Rango de velocidad del "trimpot" MIN..... de 0% a 30% de la velocidad máxima
 Impedancia externa mínima (potenciometro hi a potenciometro lo)..... 5K ohmios
 Artefactos de potencia..... puente de onda completa empacado
 Voltaje del campo del devanado de derivación 100VCD para 120VCA de entrada; 200VCD para 240VCA de entrada; un amperio máximo
 Control de velocidad..... por medio de un potenciometro lineal de 5KΩ 2W o señal aislada de 0-10VCD
 Rango de velocidad..... 50:1
 Regulación de velocidad ±1% de la velocidad de base
 Rango de temperatura..... temperatura ambiente de -10° a 45° C (15° a 115° F)
 Protección de transientes G-Mov
 Tipo de rampa de aceleración/desaceleración..... lineal

CORRIENTE TIPICA DEL MOTOR

POTENCIA, en HP	1/50	1/20	1/8	1/4	1/3	1/2	3/4	1.0	1.5	2.0
Amperaje típico de CA (120VCA)	0.26	.70	1.80	3.50	4.40	6.50	9.30	13.20	—	—
Amperaje típico de Arm (120VCA)	0.20	.50	1.40	2.70	3.40	5.00	7.20	10.20	—	—
Amperaje típico de CA (240VCA)	—	—	—	1.80	2.20	3.30	4.80	6.50	9.70	12.90
Amperaje típico de Arm (240VCA)	—	—	—	1.40	1.70	2.50	3.70	5.00	7.50	9.90

LISTA DE PARTES DE REPUESTO



RESISTENCIAS

R1 15L 8W
 R2 2.7K
 R3 2.7K
 R4 1.2M
 R5 180K
 R6 82K
 R7 470K
 R8 15K
 R9 250K (ACCEL)
 R10 5K SPEEDPOT*
 R11 10K
 R12 5K (MIN)
 R13 470K
 R14 300K
 R15 5K (C.L.)
 R16 4.7K
 R17 390K
 R18 4.7K
 R19 150K
 R20 1K
 R21 1K
 R22 50K (MAX)
 R23 100Ω (I.R.)
 R24 .01Ω 5W
 R25 390Ω
 R26 390Ω
 R27 1K
 R28 20K 1/4W
 R29 10K
 R30 180K
 R31 390K
 R32 47K
 R33 470K
 R34 100K
 R35 470Ω
 R36 91K
 R37 1Ω

DIODOS

D1 1N4005
 D2 1N4005
 D3 1N914B
 D4 1N5242B
 D5 L512FY131
 D6 L512FY131
 D7 L512FY131
 D8 1N914B
 D9 1N4005
 D10 1N5233B

ARTEFACTOS ACTIVOS

Q1 2N6027
 Q2 MOC3052
 Q3 L512FY131
 Q4 L512FY131
 Q5 LM324NIC
 Q6 275V G-MOV

PARTES MISCELANEAS

F1 FUSIBLE DE 10 AMP.
 (Bussman ABC o LittleFuse 314 serie de fusibles cerámicos)
 H1 S-8201-1X SOSTEN DE FUSIBLE
 JU1 1.75" - 16GA. ALAMBRE AISLADO SOLIDO
 JU2 2.50" - 16GA. ALAMBRE AISLADO SOLIDO
 P1 BANDA DE TERMINALES DE 11 POSICIONES

CAMBIOS -17B:
 C9...2.2UF 50V N.P. R28...10K

CAMBIOS -34A:
 R10.. Conecte a 3 alambres desde la posición R15
 R15.. Elimine el "trimpot"

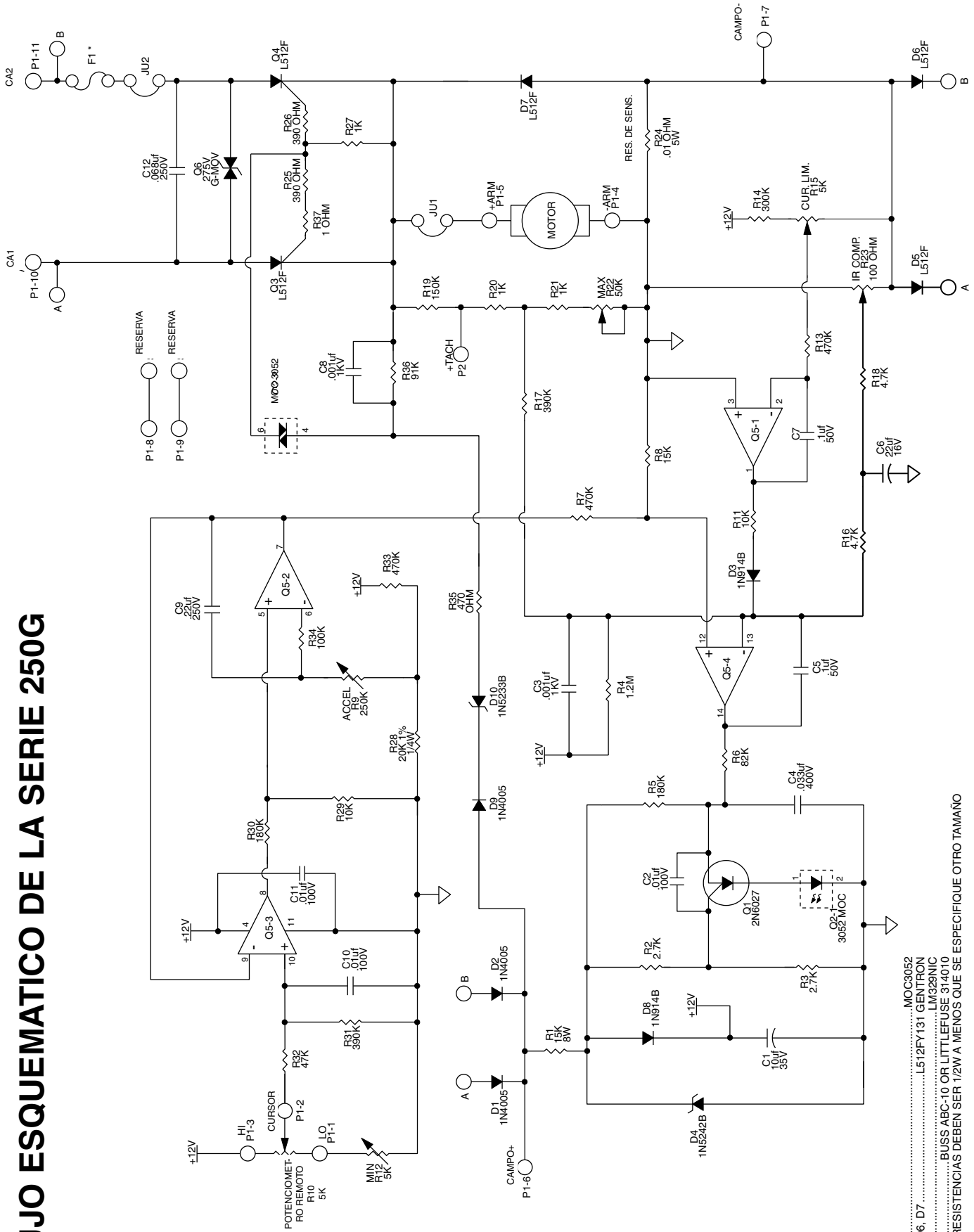
CAMBIOS 251G-12C
 R24...1Ω 5W

CONDENSADORES
 C1 10UF 35V
 C2 .01uf 100V
 C3 .001uf 1KV
 C4 .033uf 400V
 C5 .1uf 50V
 C6 22uf 16V
 C7 .1uf 50V
 C8 .001uf 1KV
 C9 .22uf 250V
 C10 .01uf 100V
 C11 .01uf 100V
 C12 .068uf 250V
 (Conexión directa a CD)

NOTA: TODAS LAS RESISTENCIAS SON DE 1/2W A MENOS QUE SE INDIQUE OTRO CALIBRE

* ALAMBRADO DEL SPEEDPOT POR EL USUARIO

DIBUJO ESQUEMATICO DE LA SERIE 250G



NOTAS:
 Q2.....MOC3052
 Q3, Q4, D5, D6, D7L512FY131 GENTRON
 Q5.....LM329NIC
 F1*.....BUSS ABC-10 OR LITTLE FUSE 314010
 TODAS LAS RESISTENCIAS DEBEN SER 1/2W A MENOS QUE SE ESPECIFIQUE OTRO TAMAÑO

NOTAS:

TABLE DES MATIÈRES

GARANTIE.....	1
INTRODUCTION.....	2
CARACTÉRISTIQUES DE LA COMMANDE.....	2
DIMENSIONS.....	2
ASSEMBLAGE DU KIT DU POTENTIOMÈTRE.....	3
MONTAGE.....	3
SÉLECTION DU MODÈLE.....	3
PROCÉDURE DE RACCORDEMENT.....	4
INSTALLATION DES FUSIBLES.....	4
RACCORDEMENT DU BORNIER.....	4
SCHÉMAS D'INSTALLATION.....	5-6
PROCÉDURE DE MISE EN ROUTE & RÉGLAGE.....	6
PROCÉDURE DE RÉGLAGE DU POTENTIOMÈTRE.....	7
TABLE DE RÉGLAGES DU POTENTIOMÈTRE.....	7
MODIFICATIONS DE LA COMMANDE.....	8
FONCTIONNEMENT À DEUX VITESSES.....	8
FREINAGE RHÉOSTATIQUE.....	8
RÉTROACTION DU TACHYMÈTRE & SUIVEUR DE TENSION.....	8
INSTRUCTIONS D'INHIBITION.....	8
DESCRIPTION DES OPTIONS.....	9-13
OPTIONS -5.....	9-10
OPTIONS -7.....	9-10
OPTIONS -11 / -17B / -29 / -34A.....	10-11
EN CAS DE DIFFICULTÉ.....	13
SPÉCIFICATIONS.....	14
COURANTS DE MOTEUR TYPIQUES.....	14
EMPLACEMENT ET LISTE DES PIÈCES.....	14
SCHÉMA.....	15
GAMME DE PRODUITS.....	COUVERTURE ARRIÈRE

GARANTIE

Dart Controls, Inc. (DCI) garantit que ces produits sont exempts de vices de fabrication. En cas de défectuosité reconnue par DCI, le recours exclusif pour cette garantie consiste en un échange par l'usine DCI de toute pièce d'un tel produit, qui devra être retourné à l'usine de DCI avec tous les frais de transport payés dans les douze mois suivant la livraison auprès de l'acheteur. Cette garantie ne couvre pas les défauts causés lors d'un montage autre que par DCI ou tout article ayant été réparé ou modifié par un parti autre que DCI ou tout article jugé par DCI comme ayant été soumis à une mauvaise utilisation. DCI n'assume aucune responsabilité pour les caractéristiques de conception d'une unité ou de son exploitation dans un circuit ou un assemblage. Cette garantie désavoue toute autre garantie, expresse ou implicite; toute autre obligation de la part de DCI, y compris des dommages indirects, sera par conséquent expressément exclue.

REMARQUE : Vérifiez soigneusement la commande pour déceler tout dégât. Signalez immédiatement les dommages au transporteur. N'essayez pas de faire fonctionner le moteur si des dégâts visibles sont en évidence sur le circuit ou sur les composants électriques.

Les informations contenues dans ce guide sont sensées être correctes, mais elles pourront faire l'objet de modifications sans préavis. Aucune garantie spéciale n'est accordée concernant ces informations et données. De plus, DCI désavoue toute obligation en cas d'omissions ou d'erreurs ou de dommages indirects causés par l'utilisateur de ce produit. DCI se réserve le droit de procéder à des modifications de fabrication n'ayant pas été incluses dans ce guide.

AVERTISSEMENT

Toute installation ou exploitation irrégulière de cette commande peut causer des blessures au personnel ou une panne à la commande. La commande doit être installée en respectant les codes de sécurité locaux, fédéraux et nationaux. Assurez-vous que l'alimentation est coupée avant de maintenir ou d'enlever des composants !!! Si le point de coupure de courant n'est pas visible, bloquez-le à la position de déconnexion et étiquetez-le pour éviter tout mise sous tension imprévue. Toute localisation de panne électrique ou maintenance devrait être effectuée par un électricien qualifié. La continuité du circuit ne devrait en aucun cas être vérifiée en court-circuitant les bornes avec un tournevis ou tout autre objet métallique.

INTRODUCTION

- La commande de moteur CC à vitesse variable série Dart 250G est une commande polyvalente d'une puissance nominale de 2 HP, disponible avec une configuration de montage sur châssis ou protégée et une série d'options à applications spécifiques.
- Le modèle 251G est disponible avec une plage ajustable allant de 1/50 à 1/8 HP à 120 VCA.
- Le modèle 253G possède une entrée à double tension (il peut accommoder une tension de 120 ou 240 VCA). Il est disponible avec une plage ajustable allant de 1/8 à 1 HP à 120 VCA et de 1/4 à 2 HP à 240 VCA.
- Conçu pour moteurs CC à aimants permanents, à enroulement de dérivation et certains moteurs universels avec les plages de puissances indiquées ci-dessus.
- La tension CA d'entrée est également convertie en une pleine onde de tension CC redressée et ajustable (au travers d'une passerelle intégrée) pour faire fonctionner un moteur CC. Pour les moteurs à enroulement de dérivation, une tension à pleine onde est fournie (voir page 4 pour les tensions).
- La commande est munie d'une protection contre les courants transitoires avec un limiteur de courant réglable et un fusible CA de protection. Elle offre également des vitesses minimum et maximum ainsi qu'une accélération réglable et une résistance d'isolement (IR) de compensation. La rétroaction du tachymètre est accomplie au travers d'une connexion vers une broche (P2) sur la carte du circuit imprimé.
- La série 250G possède une section linéaire d'accélération et de décélération.
- La commande possède également un bornier à cloisons pour le câblage de la commande et de l'alimentation.
- Le modèle protégé utilise un couvercle avec joint d'étanchéité NEMA 4/12.
- Homologation U.L. sous standard 508, fichier U.L. n° E78180 (N).

CARACTÉRISTIQUES DE LA COMMANDE

VITESSE MIN. (vitesse minimum) : Permet de régler la vitesse du moteur lorsque le potentiomètre est réglé à son minimum (anti-horaire). De cette façon, l'utilisateur peut éliminer la "zone morte" à la commande de vitesse principale permettant un étalonnage zéro. En tournant le potentiomètre "MIN" dans le sens des aiguilles d'une montre, la vitesse maximum du moteur augmente.

VITESSE MAX. (vitesse maximum) : Permet un réglage de la vitesse du moteur lorsque le potentiomètre est réglé à son maximum (sens anti-horaire). De cette façon, l'utilisateur peut éliminer la "zone morte" supérieure, qui fournira la vitesse maximum à un régime maximum. En tournant le potentiomètre "MAX" dans le sens des aiguilles d'une montre (sens des aiguilles d'une montre), la vitesse maximum du moteur augmente.

ACCEL (accélération) : Permet de régler l'accélération du moteur d'un minimum de 0.5 secondes à environ 8.0 secondes. Le temps de décélération dépend du réglage d'ACCEL. Si le temps DECEL est égal au Temps ACCEL, consultez l'option 17B.

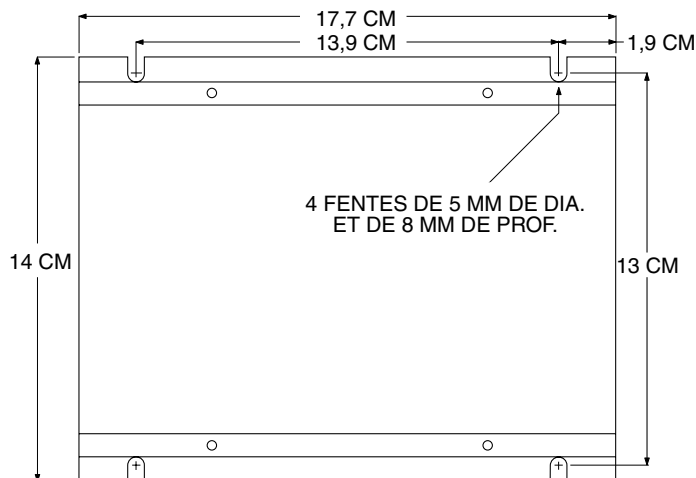
IR COMP (réglage de la vitesse) : Règle la commande de sortie pour compenser des changements de vitesse résultant de diverses charges de moteur. À mesure que la charge du moteur augmente, IR COMP accroît la sortie de tension de la commande. En tournant le potentiomètre "IR COMP" dans le sens des aiguilles d'une montre, la compensation augmente.

CUR. LIM. (limiteur de tension) : Fournit une protection contre tout courant d'induit excessif en limitant le courant d'induit maximum pouvant être fourni par la commande. Permet de régler le couple maximum pouvant être fourni par le moteur. Le réglage de la limite de courant (CUR. LIM.) est réglé à 125% du courant (couple) nominal du moteur en fonction de la puissance en horsepower. En tournant le potentiomètre "CUR. LIM." dans le sens des aiguilles d'une montre, le courant fourni par la commande augmente.

BROCHE D'INHIBITION (P2) : Donne à l'utilisateur le choix entre un arrêt et un démarrage à chaud ou un arrêt à chaud et un démarrage SOFT via une section d'accélération réglable, sans interrompre les lignes CA. (voir page 8).

BORNIER DE CONNEXION : Permet de raccorder les lignes CA, les fils du moteur (si nécessaire), et le potentiomètre de vitesse.

DIMENSIONS

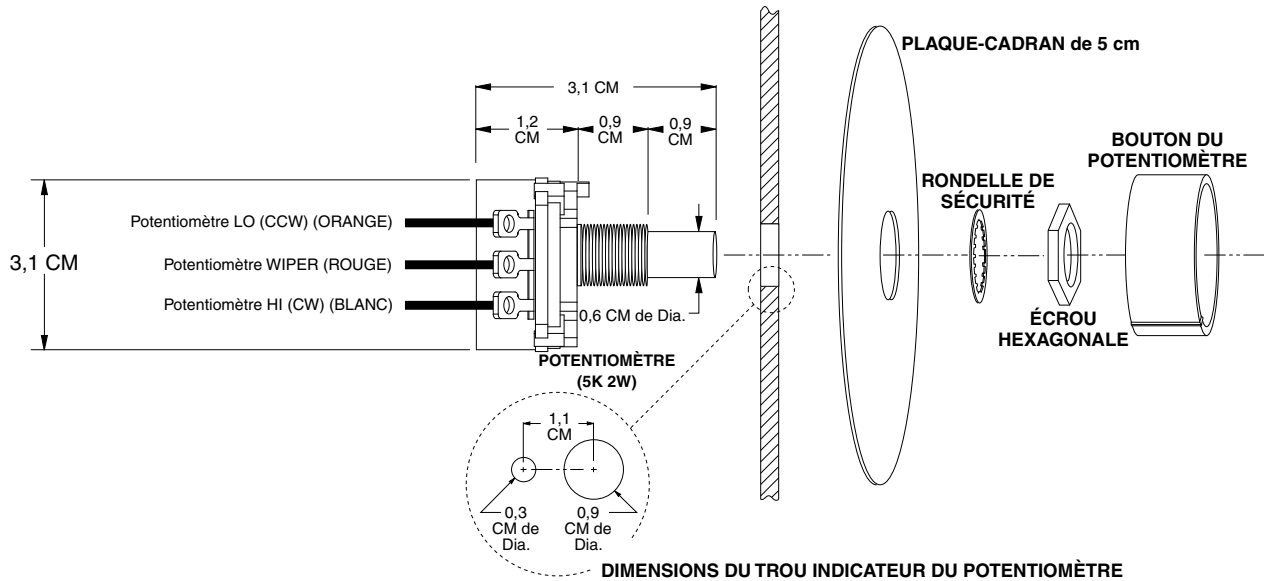


VERSION SUR CHÂSSIS : laissez un jeu en hauteur de 3,9 cm et de 18,00 cm en longueur.

VERSION PROTÉGÉE : laissez un jeu en hauteur de 8,9 cm et de 19,00 cm en longueur.

ASSEMBLAGE DU KIT DU POTENTIOMÈTRE

SUPPORT DE FIXATION DU CLIENT



MONTAGE

ATTENTION : Ne montez pas la commande à un emplacement où la température ambiante se trouve en dehors de la plage allant de -10° C (15° F) à 45° C (115° F).

1. Quatre fentes d'un diamètre de 0,5 cm sont fournies pour le montage de la commande.
2. Le châssis de la commande peut être utilisé comme gabarit.
3. Utilisez du matériel standard pour le montage.
4. La version protégée possède deux trous filetés (1,3 cm NPT) situés sur la partie inférieure de la plaque de fixation près du bornier afin de faciliter le raccordement.

SÉLECTION DU MODÈLE

Remarque : Courant nominal minimum pour toutes les commandes 250G : 150 mA.

HORSEPOWER	TENSION D'ENTRÉE	TENSION DE SORTIE	AMPS SORTIE CC	CHASSIS	PROTÉGÉE
1/50 1/20 1/8	120 VCA	0-90 VCC	1.2E	251G-12C	251G-12E
1/8 1/4 1/3 1/2 3/4 1.0	120/240 VCA	0-90/0-180 VCC	10.8A	253G-200C	253G-200E
1.5* 2.0*	240 VCA	0-180 VCC	10.8A	253G-200C	253G-200E

* Non disponible avec une entrée 120 VCA - la tension d'entrée détermine la puissance HP maximum permise.

La commande 251G fera fonctionner un moteur à 90 VCC avec une plage H.P. allant de 1/50 à 1/8 H.P., en utilisant différents réglages du potentiomètre. La commande 253G fera fonctionner un moteur à 90 VCC avec une plage H.P. allant de 1/8 à 1.0 H.P., et un moteur à 180 VCC avec une plage allant de 1/4 à 2.0 H.P., en utilisant différents réglages du potentiomètre.

AVERTISSEMENT

1. Assurez-vous que le coffrage du système de commande est correctement mis à la terre.
2. Les raccordements ARM ne doivent pas être commutés ou interrompus pendant que la commande est sous tension. De sérieux dégâts peuvent en découler.
3. Pour les applications sans potentiomètre : les connexions d'entrée vers les fils Lo-Curseur-Hi ne doivent pas être mises à la terre. Une entrée mise à la terre peut gravement endommager la commande.

PROCÉDURE DE RACCORDEMENT

- 1 Utilisez les calibres de fils appropriés pour transporter le courant de l'induit et de l'armature en respectant les normes nationales, fédérales et/ou locales. Tous les autres fils peuvent avoir un calibre #18 ou inférieur, en fonction du code local.
- 2 Séparez les fils de la commande de tous les fils des lignes d'induit et C.A. lorsque vous les routez dans les gaines ou les goulottes. La version protégée possède deux trous filetés (1/2" NPT) prévus à cet effet et situés sur la partie inférieure de la plaque de fixation, près du bornier de raccordement.

INSTALLATION DES FUSIBLES

Le modèle 250G est livré avec une fusible dans la ligne CA 1 (P1-11). Ce fusible est calibré de manière à s'ouvrir dans le cas où l'induit est court-circuité ou si une ligne d'armature est court-circuité vers la mise à la terre. Aussi longtemps que l'entrée 120 VCA est connectée correctement, aucun fusible supplémentaire n'est nécessaire.

Pour les applications à 240 VCA, un fusible externe peut être utilisé dans la ligne CA 2 (P1-10). Ce fusible devrait être du type Bussman ABC10 ou LittleFuse 314-010. Ce fusible supplémentaire fournira une protection sur les deux branches CA du modèle 250G. Si vous ne voulez pas utiliser de fusible sur les deux branches, le fusible dans la commande s'ouvrira si l'induit est traversé par des courants excessifs.

Remarque : Le courant CA est déterminé par les caractéristiques du moteur. Augmentez la valeur du fusible pour certaines applications, si cela est nécessaire.

RACCORDEMENT DU BORNIER

Pour faciliter son raccordement, le modèle Série 250G possède un bornier à 11 positions.

P1-1 (POTENTIOMÈTRE DE VITESSE LO) Raccorde le côté inférieur (fil orange) du potentiomètre 5K (normalement le côté allant dans le sens contraire des aiguilles d'une montre). Cette entrée est élevée et abaissée par le potentiomètre MIN. L'entrée électronique de la vitesse (l'étage suiveur de tension) peut être référencée au potentiomètre LO si les réglages du potentiomètre MIN doivent être actifs. Dans le cas contraire, les entrées peuvent être référencées à ARM-, qui contourneront le potentiomètre MIN.
REMARQUE : L'ENTRÉE NE DOIT PAS ÊTRE MISE À LA TERRE !!!

P1-2 (CURSEUR DU POTENTIOMÈTRE DE VITESSE) Se raccorde au curseur (fil rouge) du potentiomètre 5K (fil central). Pour les applications à étage suiveur de tension, CETTE ENTRÉE NE DOIT PAS ÊTRE SUPÉRIEURE À +12 VOLTS MAXIMUM ET NE DOIT PAS ÊTRE MISE À LA TERRE.

P1-3 (POTENTIOMÈTRE DE VITESSE HI) Se raccorde au côté supérieur (fil blanc) du potentiomètre 5K (côté allant dans le sens des aiguilles d'une montre). +12 volts interne. Pour des applications départ-arrêt, la connexion entre cette borne et le potentiomètre HI peut être ouverte et fermée à l'aide d'un interrupteur marche-arrêt.
REMARQUE : L'ENTRÉE NE DOIT PAS ÊTRE MISE À LA TERRE !!!

PA-4 ARM(-) Se raccorde au fil d'induit (A2) négatif (-) du moteur. Pour des applications à étage suiveur de tension où le potentiomètre MIN est bypassé, connectez le fil négatif (-) au suiveur de tension de cette borne.

P1-5 (ARM+) Se raccorde au fil d'induit (A1) positif (+) du moteur. 0 à 90 VCC pour une entrée 120 VCA ou 0 à 180 VCC pour une entrée 240 VCA. Consultez la rubrique "Spécifications" pour la sortie nominale.

P1-6 (ALIMENTATION+) À NE PAS UTILISER avec un moteur à aimants permanents. Fournit l'alimentation+ pour un MOTEUR À ENROULEMENT DE DÉRIVATION. Consultez la table des tensions. Pour des moteurs bitension, (50/100V ou 100/200 V) assurez-vous que la valeur la plus élevée est raccordée.

TABLE DES TENSIONS SUR SITE		
ENTRÉE VCA	120	240
ALIMENTATION VCC	100	200

P1-7 (ALIMENTATION-) Raccordez le fil négatif (-) du MOTEUR À ENROULEMENT DE DÉRIVATION.

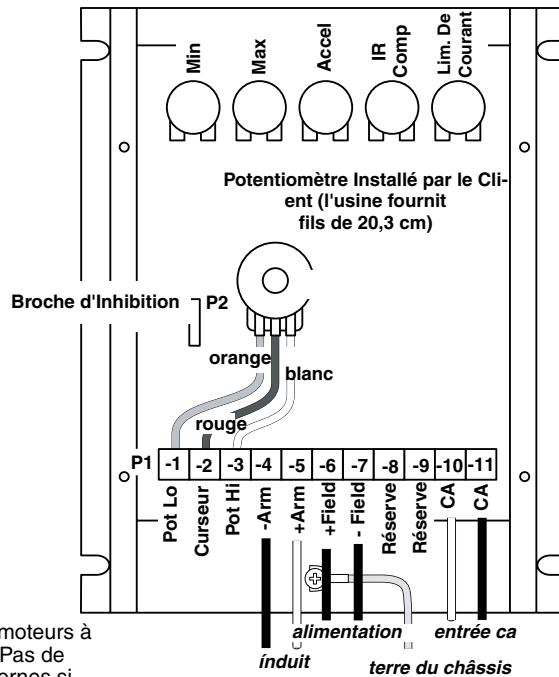
P1-8 } TRÈS IMPORTANT !!!
P1-9 } VERSION SUR CHÂSSIS : Consultez la rubrique "INSTALLATION DES FUSIBLES" ci-dessus.
(Rechange) Pas de raccordement à P1-8 ou P1-9.

VERSION PROTÉGÉE : **(CA)** **120 VCA** - Raccordez la phase C.A. en entrée (fil noir) à P1-9 et le fil neutre (fil blanc) à P1-8. Raccordez le fil de terre (fil vert) à la terre du châssis (schéma page 5).
240 VCA - Raccordez les deux phases, l'une à P1-8, l'autre à P1-9. Raccordez le fil de mise à la terre à la terre du châssis.

P1-10 } TRÈS IMPORTANT !!!
P1-11 } VERSION SUR CHÂSSIS : Consultez la rubrique "INSTALLATION DES FUSIBLES" ci-dessus.
(CA) **120 VCA** - Raccordez la phase CA en entrée (fil marron ou noir) à P1-11 et le fil neutre (fil blanc ou jaune) à P1-10. Raccordez le fil de terre (fil vert) à la terre du châssis.
240 VCA - Raccordez les deux phases, l'une à P1-10, l'autre à P1-11. Raccordez le fil de mise à la terre à la terre du châssis.

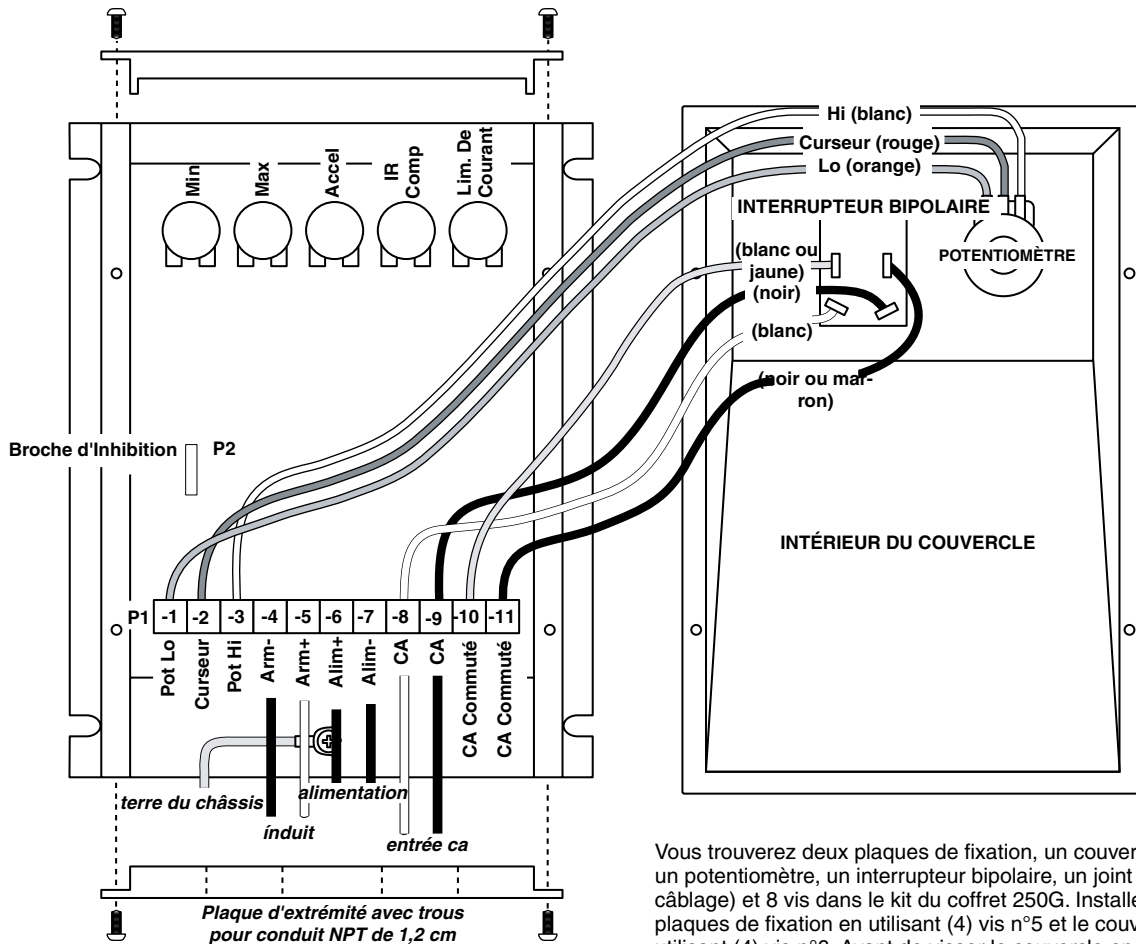
VERSION PROTÉGÉE : **(CA COMMUTÉ)** Pas de raccordement à P1-10 et P1-11. Utilisé par la sortie CA commuté. Voir "RACCORDEMENT D'ORIGINE" (page 5). Les voyants de fonctionnement peuvent être connectés par ces bornes. La tension présente sur ces bornes est une tension d'entrée CA.

SCHÉMA D'INSTALLATION SÉRIE 250G SUR CHÂSSIS



* Utilisée seulement pour les moteurs à enroulement de dérivation ! Pas de raccordement effectué à ces bornes si des moteurs à aimants permanents sont utilisés.

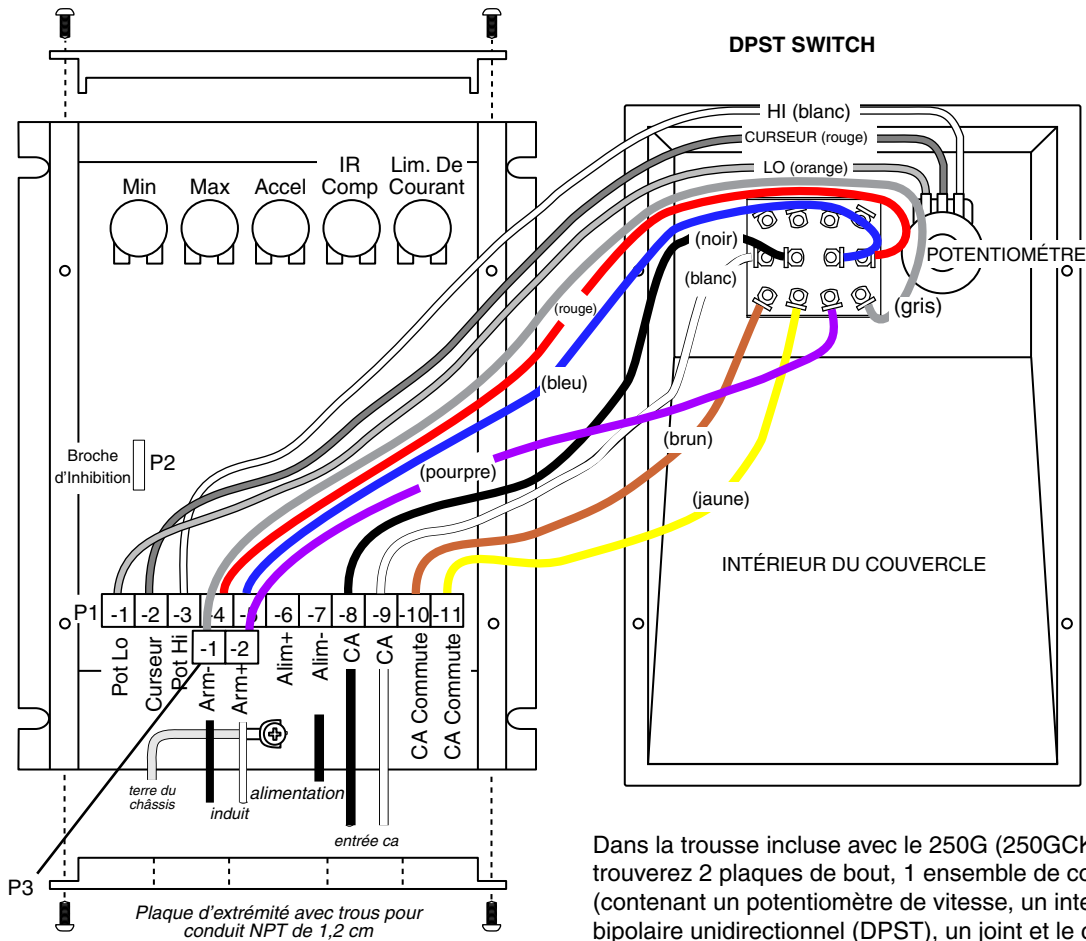
SCHÉMA D'INSTALLATION SÉRIE 250G PROTÉGÉE



Vous trouverez deux plaques de fixation, un couvercle (livré avec un potentiomètre, un interrupteur bipolaire, un joint statique et le câblage) et 8 vis dans le kit du coffret 250G. Installez les deux plaques de fixation en utilisant (4) vis n°5 et le couvercle en utilisant (4) vis n°6. Avant de visser le couvercle en place, faites passer les fils par les trous pour gaines dans les plaques près du bornier.

* Utilisée seulement pour les moteurs à enroulement de dérivation ! Pas de raccordement effectué à ces bornes si des moteurs à aimants permanents sont utilisés.

-29 DIAGRAMME DE CONJUGAISON



* Utilisé pour les moteurs à enroulement de dérivation (shunt) seulement! Aucune connexion n'est faite à ces bornes lorsque vous utilisez les moteurs à aimant permanent.

Dans la trousse incluse avec le 250G (250GCK29), vous trouverez 2 plaques de bout, 1 ensemble de couvercle (contenant un potentiomètre de vitesse, un interrupteur bipolaire unidirectionnel (DPST), un joint et le câblage) et 8 vis. Installez les 2 plaques de bout à l'aide de (4) vis n° 5, et le couvercle à l'aide de (4) vis n° 6. Avant de visser le couvercle, faites passer les câbles à travers les trous de conduits dans la plaque de bout près de la plaque à bornes.

Avertissement : N'essayez pas d'effectuer d'essai diélectrique à travers les lignes CA lorsque la commande est dans le circuit. La commande sera immédiatement et irrémédiablement endommagée.

PROCÉDURE DE MISE EN ROUTE

AVERTISSEMENT : L'ALIMENTATION DOIT ÊTRE COUPÉE AVANT DE DÉMARRER !!!

1. Vérifiez le câblage. Des mises à la terre accidentelles, des fils lâches ou pincés sur les fils de l'induit ou des potentiomètres peuvent endommager la commande lorsqu'elle est mise sous tension.
2. Assurez-vous que la tension correcte est appliquée.
3. Tournez le potentiomètre à zéro. (à fond dans le sens des aiguilles d'une montre)
4. Mettez la commande sous tension et avancez le potentiomètre tout en observant le moteur.
5. **AVERTISSEMENT : L'ALIMENTATION DOIT ÊTRE ÉTEINTE AVANT QUE L'ÉTAPE 5 PUISSE ÊTRE EFFECTUÉE.**
6. Si la rotation du moteur est incorrecte, coupez l'alimentation à la déconnexion externe et inversez les connexions ARM+ et ARM-.
7. Assurez-vous d'obtenir un bon fonctionnement sur toute la plage de vitesse.
8. Si le fonctionnement est satisfaisant, aucun réglage supplémentaire n'est nécessaire.
9. Si vous observez une instabilité ou un surchaleur quelconque, ou si la vitesse maximum est plus élevée que celle voulue, consultez la rubrique "RÉGLAGE DES POTENTIOMÈTRES".
10. Pour tout autre problème, consultez la " En cas de difficulté ".

RÉGLAGES DES POTENTIOMÈTRES

Les réglages des potentiomètre MIN, MAX, I.R. COMP, et CUR LIM sont vérifiés à l'usine à l'aide d'un moteur typique avec une entrée de 240 VCA. Utilisez la table de réglage du potentiomètre à la page 7 pour pré-régler les potentiomètres aux réglages exigés par votre application. Le dernier potentiomètre, ACCEL, offre une accélération variable et doit être réglé en fonction de votre application.

Les réglages de la table des potentiomètres sont approximatifs . Ils sont valides lorsque vous utilisez le potentiomètre ou un signal d'entrée de 0...120 Vca pour régler la vitesse.

Ces réglages sont permanents ; des réglages périodiques ne sont normalement pas requis. Le fonctionnement de la commande au delà d'une valeur à $\pm 10\%$ de la tension de ligne normale peut donner lieu à des réajustements.

PROCÉDURE DE RÉGLAGE DES POTENTIOMÈTRES

POTENTIOMÈTRE	FONCTION	RÉGLAGE
MAX	<u>RÈGLE LA VITESSE MAXIMUM DU MOTEUR</u> lorsque le potentiomètre est réglé à son maximum (rotation à 100% dans le sens des aiguilles d'une montre) . En tournant le potentiomètre MAX dans le sens des aiguilles d'une montre, vous augmentez la vitesse maximum du moteur.	<ol style="list-style-type: none"> 1. Coupez l'alimentation de commande ! 2. Connectez le voltmètre CC : + à ARM+ , - à ARM-. 3. Réglez la plage de tension du compteur (90 VCC ou 180 VCC). 4. Remettez le courant. Réglez le potentiomètre à 100%. 5. Réglez le potentiomètre MAX à la tension nominale de l'induit, indiqué par le compteur. <p>REMARQUE : Vous pouvez utiliser un tachymètre ou un stroboscope à la place d'un compteur. Suivez les étapes ci-dessus, mais réglez le potentiomètre MAX à la vitesse nominale de base indiquée par le tachymètre ou le stroboscope.</p>
MIN	<u>RÈGLE LA VITESSE MINIMUM DU MOTEUR</u> lorsque le potentiomètre est à zéro. En le tournant dans le sens des aiguilles d'une montre, vous augmentez la vitesse minimum du moteur.	<ol style="list-style-type: none"> 1. Réglez le potentiomètre à zéro (dans le sens contraire à celui des aiguilles d'une montre). 2. Tournez le potentiomètre MIN dans le sens des aiguilles d'une montre jusqu'à ce que le moteur se mette en route. 3. Tournez lentement le potentiomètre MIN dans le sens contraire à celui des aiguilles d'une montre jusqu'à l'arrêt du moteur. <p>REMARQUE : Si le moteur doit tourner à zéro, tournez le potentiomètre MIN dans le sens des aiguilles d'une montre jusqu'à ce que la vitesse minimum désirée est atteinte.</p>
IR COMP.	<u>ÉTALONNE LA RÉGULATION DE LA VITESSE</u> - Fournit un moyen d'améliorer la régulation de la vitesse du moteur dans le mode de retour de l'induit. Si vous n'êtes pas concerné par un ralentissement dû à un changement de charge, tournez ce potentiomètre à fond dans le sens contraire à celui des aiguilles d'une montre.	<ol style="list-style-type: none"> 1. Réglez le potentiomètre à 50%. 2. Observez la vitesse du moteur sans charge. 3. Appliquez une pleine charge au moteur. 4. Tournez le potentiomètre IR COMP dans le sens des aiguilles d'une montre pour obtenir la même vitesse que sans charge.
CUR. LIM.	<u>LIMITE LE COURANT CC DE L'INDUIT</u> (couple) afin d'empêcher d'endommager le moteur ou la commande. Le limiteur de courant est réglé en fonction du courant nominal du moteur. Si le potentiomètre est tourné dans le sens des aiguilles d'une montre, le courant (ou couple produit) de l'induit augmente.	<ol style="list-style-type: none"> 1. METTEZ LE MOTEUR HORS TENSION !! 2. Connectez un ampèremètre CC entre A1 sur le moteur et ARM+ sur la commande. En série avec le moteur. 3. Remettez le courant. 4. Réglez le potentiomètre à 50 %. 5. Tournez le potentiomètre CUR. LIM. à fond dans le sens contraire à celui des aiguilles d'une montre. 6. Appliquez un freinage mécanique à l'arbre du moteur jusqu'à ce que le moteur cale (0 tr/min) 7. Avec le moteur calé, réglez le courant à 125% du courant nominal d'induit de la plaque d'identification en réglant le potentiomètre CUR. LIM.
ACCEL	<u>PERMET À L'UTILISATEUR DE RÉGLER L'ACCÉLÉRATION</u>	<ol style="list-style-type: none"> 1. Une rotation dans le sens des aiguilles d'une montre augmente le temps d'accélération.

TABLE DE RÉGLAGE DU POTENTIOMÈTRE

- * Ces réglages s'appliquent à un potentiomètre principal de 5000 ohms.
- * Les réglages peuvent varier lorsque diverses options sont utilisées (en utilisant l'option 5 ou 7 par exemple). Pour l'option -17B, Accel/Decel est de 20 secondes lorsque le potentiomètre est tourné à fond dans le sens des aiguilles d'une montre.
- * Les réglages de cette table sont approximatifs. Utilisez-les de paire avec les procédures de réglage.

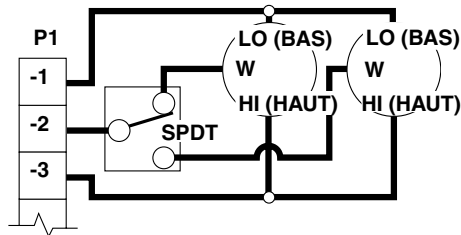
	MIN	MAX	ACCEL	IR	C.L.	H.P.	VOLT. DE ENT.	VOLT. DE SAL.		MIN	MAX	ACCEL	IR	C.L.	H.P.	INPUT VOLTAGE	OUTPUT VOLTAGE
2 5 1 G						1/50	120VCA	0-90VDC	2 5 3 G						1/4	240VCA	0-180VDC
						1/20	120VCA	0-90VDC							1/2	240VCA	0-180VDC
						1/8	120VCA	0-90VDC							3/4	240VCA	0-180VDC
						1/8	120VCA	0-90VDC							1.0	240VCA	0-180VDC
2 5 3 G						1/4	120VCA	0-90VDC						1.5	240VCA	0-180VDC	
						1/3	120VCA	0-90VDC						2.0	240VCA	0-180VDC	
						1/2	120VCA	0-90VDC									
						3/4	120VCA	0-90VDC									
						1.0	120VCA	0-90VDC									

MODIFICATIONS DE LA COMMANDE

FONCTIONNEMENT À DEUX VITESSES

Le fonctionnement à deux potentiomètres est effectué en utilisant deux potentiomètres de vitesse de 10K ohms en parallèle (les deux HI sur P1-3, les deux LO sur P1-1). Le CURSEUR est commuté à l'aide d'un interrupteur unipolaire bidirectionnel.

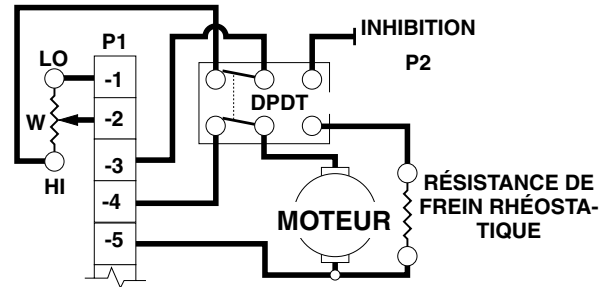
DEUX POTENTIOMÈTRES 10K



FREINAGE RHÉOSTATIQUE

Un interrupteur bipolaire bidirectionnel est utilisé pour inhiber la commande et connecter la résistance de freinage rhéostatique (DBR). Les valeurs typiques pour cette résistance (DBR) sont 5 ohms pour 120V et 10 ohms pour 240V (les deux de 35 à 50 W). Il est à noter que la puissance du moteur, l'inertie et le temps de cycle agissent sur l'étalonnage de la résistance DBR.

REMARQUE : Cette modification ne peut pas être utilisée pour l'option -17B.



RÉTROACTION DU TACHYMÈTRE

Améliore la régulation de vitesse jusqu'à $\pm 1/2\%$ de la vitesse de base. La commande passe à pleine sortie lorsque l'entrée passe à zéro, au-dessus et au delà du réglage du potentiomètre MAX.



SUIVEUR DE TENSION DU TACHYMÈTRE

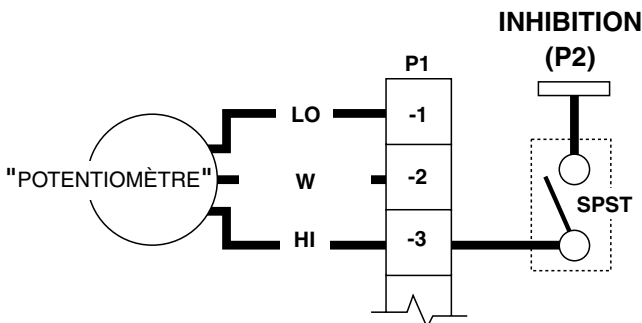
Permet à la sortie de la commande de suivre la tension du tachymètre.



REMARQUE : ONDULATION DE SORTIE DU TACHYMÈTRE À 1% OU MOINS.

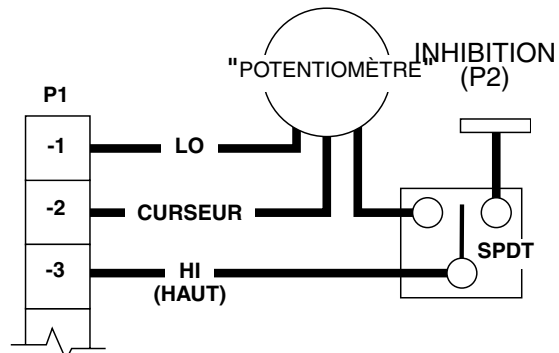
INHIBITION (UTILISÉE INDÉPENDAMMENT)

L'interrupteur SPST fourni par le client est raccordé en série entre le potentiomètre HI (P1-3) et la broche d'inhibition (P2). Pour invalider, le potentiomètre HI est fermé pour la broche d'invalidation. Pour le redémarrage; l'interrupteur repasse à ouvert. **REMARQUE :** Cette commande s'arrêtera et démarrera rapidement, accel est bipsé.



INHIBITION (UTILISÉE AVEC UN POTENTIOMÈTRE)

Le fil Commun sur l'interrupteur SPDT est raccordé au potentiomètre HI de la commande et commuté entre le potentiomètre HI et la broche d'invalidation (P2). Pour inhiber (arrêter le moteur), le potentiomètre HI est fermé à la broche. Pour redémarrer, l'interrupteur retourne vers le potentiomètre HI. **REMARQUE :** La commande s'arrêtera rapidement et démarrera en suivant une plage s'accélération fixe.



REMARQUE : Permet de démarrer et d'arrêter le moteur sans avoir à couper les lignes CA. En cas de panne de thyristor ou d'un déclenchement intempestif; le circuit d'inhibition n'arrêtera pas le moteur.

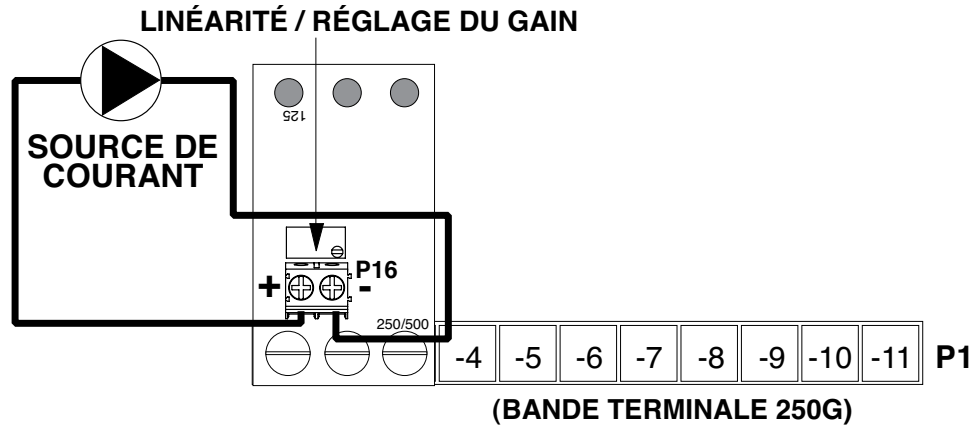
DESCRIPTION DES OPTIONS

option -5

Suiveur de signal isolé 4-20 mA.

Installé sur les lieux ou en usine

Disponible en boîtier seulement



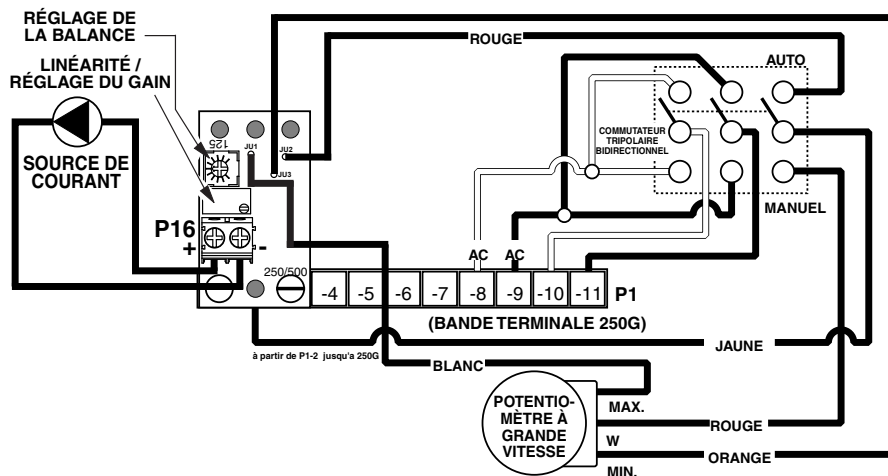
option -7

Suiveur de signal isolé 4-20 mA avec interrupteur auto/manuel

Dans un boîtier- Installé en usine seulement

Boîtier – Installé en usine ou sur les lieux

Boîtier – l'interrupteur et le câblage sont fournis par le client



PROCÉDÉ de CONJUGAISON de l'OPTION -5 et -7

NE PAS UTILISER LE DIAGRAMME DU POTENTIOMÈTRE POUR AJUSTER LES POTENTIOMÈTRES AU MINIMUM ET AU MAXIMUM DU TABLEAU PRINCIPAL. SI UN RÉGLAGE EST NÉCESSAIRE, CONSULTEZ LES PROCÉDURES DE CONFIGURATION CI-DESSOUS.

L'option -5 est une carte à signal isolé 4-20 mA qui remplace le potentiomètre à grande vitesse pour la commande de vitesse. Cette entrée de signal 4-20 mA peut être reliée ou non à une prise de terre. Le tableau comporte des espaceurs vissés au potentiomètre MAX., des curseurs et des terminaux MIN. dans le tableau principal fixés par de longues vis. La source de courant se connecte au + et au -, de la bande terminale en deux positions (P16-1 et -2) du tableau d'option -5.

Le potentiomètre de linéarité du tableau d'option -5 est configuré par le fabricant pour une linéarité appropriée ; néanmoins ce potentiomètre doit être reconfiguré après un réglage des configurations minimum et maximum du potentiomètre de commande selon votre programme spécifique. Si nécessaire, consultez la procédure de configuration ci-dessous.

L'option -7 est également une carte à signal isolé 4-20 mA permettant toutefois d'assurer la commande en mode manuel via le potentiomètre à grande vitesse ou en mode automatique via le signal 4-20 mA. Cette option comprend aussi un potentiomètre d'équilibre utilisé pour augmenter la vitesse maximum en mode manuel.

C'est le fabricant qui le configure pour que la vitesse maximum en mode manuel puisse équivaloir à la vitesse maximum en mode automatique.

Le potentiomètre de linéarité du tableau de l'option -7 est configuré par le fabricant pour une linéarité appropriée; néanmoins ce potentiomètre doit être reconfiguré après un réglage des configurations maximum et minimum des commandes ou si le potentiomètre d'équilibre en -7 doit être reconfiguré pour un programme spécifique. Si nécessaire, consultez la procédure de configuration ci-dessous.

Ce qui suit est la procédure recommandée de l'option -5/-7 des séries 250:

1) Avec les 250 orientés afin que le potentiomètre soit vers le haut, ajustez le potentiomètre Min au minimum (à fond dans le sens antihoraire) et le potentiomètre Max à 50 %. La tension est réglée en dessous de la tension habituelle du moteur dans le but de s'assurer que le lecteur n'est PAS saturé avant de régler le point de saturation du tableau -5/-7.

2) Ajustez le potentiomètre de linéarité /gain sur le -5/-7, à fond dans le sens horaire. Il s'agit d'un potentiomètre rotatif 20 et vous devez entendre un claquement à chaque tour complet ou tous les 20 tours.

3) Assurez-vous que votre moteur est connecté à la sortie +/- ARM du lecteur, que l'interrupteur AUTO/MANUEL est en mode automatique pour les options -7 et que la source de courant pour le contrôle du fonctionnement est branchée. (Remarque: pour un réglage adéquat, ce système fonctionne mieux avec un moteur déchargé).

4) Avec la puissance employée et un voltmètre du contrôle en sortie Vdc du moteur, appliquez 4mA au -5/-7. Vérifiez l'affichage du voltmètre et ajustez le potentiomètre de linéarité/gain R16 sur le tableau -5/-7 dans le sens antihoraire jusqu'à ce que la tension en sortie soit inférieure à 0,1Vdc.

5) Appliquez maintenant 20mA au tableau -5/-7 et réglez le potentiomètre Max sur une tension de 5 volts (15 volts pour contrôler la série 250G), au-dessus de la tension maximum de la sortie du moteur souhaitée. Réglez le potentiomètre linéarité/gain sur le tableau -5/-7 dans le sens antihoraire jusqu'à ce que la sortie de tension du moteur diminue jusqu'au point de tension maximum configurée et voulue.

6) Appliquez maintenant 4mA sur le tableau -5/-7 à nouveau et réglez le potentiomètre Min jusqu'à la fin de la zone morte ou jusqu'à la tension de sortie minimale du moteur souhaitée. La zone morte est là où se situe la tension continue de 0 Volts et toute autre augmentation du potentiomètre Minimum produirait une sortie vers le moteur. Appliquez à nouveau 20mA au tableau -5/-7 et vérifiez si la sortie maximum n'a pas changé. Un petit réglage peut être nécessaire au potentiomètre Maximum pour réinitialiser la sortie maximum souhaitée.

7) Réglez l'entrée 4-20 jusqu'à 12mA. Si la tension de sortie est correctement configurée, la tension de sortie d'un moteur déchargé devra être inférieure de quelques volts à 1/2 de la valeur de sortie (selon la configuration de sortie maximum ci-dessus).

Uniquement option -7 : Pour le programme de 20mA au mode Auto -7, déplacez l'interrupteur AUTOMATIQUE/ MANUEL vers MANUEL.

8) En mode manuel tournez à fond le potentiomètre de vitesse dans le sens horaire, tenez compte de l'affichage de la tension de sortie du moteur sur le voltmètre. S'il n'est pas égal en sortie à 20mA en mode automatique, ajustez le potentiomètre Balance sur le tableau -7 (sens horaire ou antihoraire) jusqu'à atteindre le même affichage. La tension continue en sortie du moteur ne doit pas varier de plus d'1 V de tension continue pendant le va-et-vient entre la position AUTOMATIQUE et MANUEL.

option-11 **Potentiomètre à 10 Tours**

**Installée en Usine Uniquement
Modèles sur Châssis Seulement**

Fournit une commande plus précise de la vitesse. Utilisez les instructions de raccordement standard et la table des potentiomètres (page 7).

option -17B Modifications des Temps d'Accélération

Installée en Usine Uniquement
Disponible sur Tous les Modèles

L'accélération standard est variable de 0,5 à 8 secondes avec un potentiomètre. La décélération est de 0,06 à 0,8 secondes. Cette option prolonge l'accélération maximum afin que la plage soit entre 0,8 et 20 secondes. De plus, comme le temps de décélération de cette option est égal au temps d'accélération, la plage de décélération est également située entre 0,8 et 20 secondes (et cela en fonction du réglage d'Accel et non de tout autre réglage indépendant).

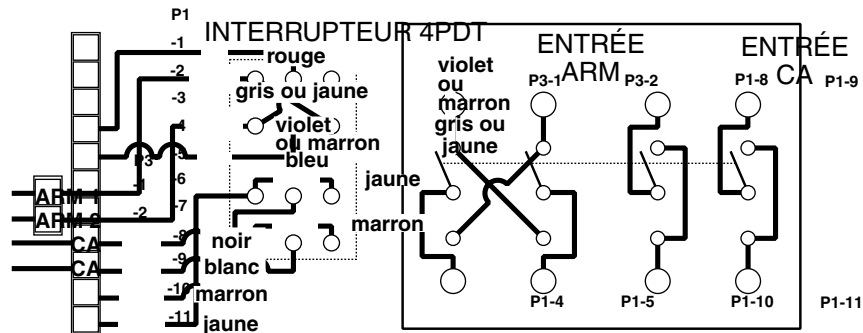
Utilisez les Instructions de Raccordement Standard

option -29 et -29B -29 Version Protégée Installée en Usine Seulement Inversion Manuelle -29B Version sur Châssis*

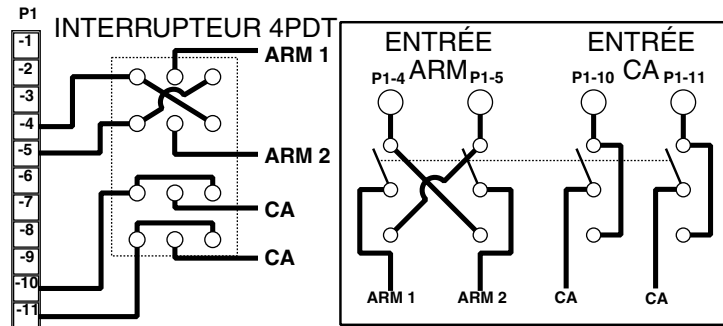
Permet d'inverser le moteur. Pour cela, utilisez un interrupteur central immobilisé 4PDT. En commutant l'interrupteur entre les positions avant-arrière, un délai se produit. Ce délai est dû à la position centrale immobilisée, qui protège la commande contre toute tension pouvant se trouver sur les bornes de l'induit. La position centrale est ARRÊT/NEUTRE.

LE MOTEUR DOIT VENIR À UNE POSITION D'ARRÊT TOTALE AVANT DE POUVOIR CHANGER DE DIRECTION. SI LE MOTEUR NE S'ARRÊTE PAS COMPLÈTEMENT, LA COMMANDE PEUT ÊTRE SÉRIEUSEMENT ENDOMMAGÉE. SI LE BLOC CENTRAL DE L'INTERRUPTEUR EST BIPASSÉ, LA COMMANDE PEUT ÊTRE SÉRIEUSEMENT ENDOMMAGÉE.

-29 (VERSION PROTÉGÉE) Un interrupteur central immobilisé 4PDT est installé en usine dans l'assemblage du couvercle. Un bornier à deux positions (P3) est installé en usine sur la carte-mère (ci-dessous). La sortie sur P3 est la sortie commutée (FWD/REV) et la sortie des bornes P1-4 et P1-5 n'est pas commutée.



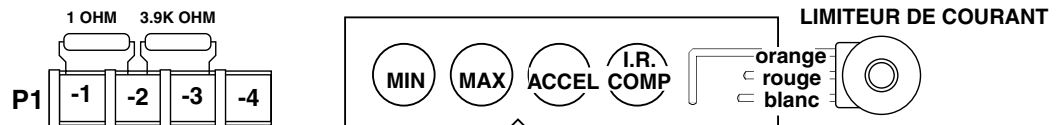
-29B (VERSION SUR CHÂSSIS) **Commande 250G avec un interrupteur 4PDT (fourni par l'usine). Le client fournit le câblage d'interconnexion.



option-34A Commande du Couple

Installé en Usine Seulement
Seulement Disponible en Version Protégée

LE COUPLE (POTENTIOMÈTRE DE LIMITEUR DE COURANT) est contrôlé par le potentiomètre monté sur la plaque frontale. Ainsi, le potentiomètre MIN monté à l'intérieur devient le potentiomètre de vitesse. Ce potentiomètre peut être déplacé vers un emplacement déporté en retirant les résistances fixes connectées sur P1-1 à P1-3, et en installant un potentiomètre 5K 2W standard.



N'UTILISEZ PAS LA TABLE DE RÉGLAGE DES POTENTIOMÈTRES!

EN CAS DE DIFFICULTÉ

Si une commande nouvellement installée ne fonctionne pas, il est possible qu'une borne ou qu'une connexion soit lâche. Assurez-vous que tous les raccordements ont été effectués correctement et qu'ils sont bien fixés. Si la commande ne fonctionne toujours pas, consultez le tableau ci-dessous.

PROBLÈME	CAUSE(S) POSSIBLE(S)	MESURE(S) CORRECTIVE(S)
Le moteur ne fonctionne pas	<ul style="list-style-type: none">- Fusible a sauté- Source d'alimentation inappropriée- Potentiomètre réglé à zéro - Balais de moteur usés	Remplacez le fusible Installez le branchement approprié Tournez le potentiomètre dans le sens des aiguilles d'une montre au démarrage Remplacez les balais du moteur
Le moteur cale, ou tourne très lentement avec le potentiomètre entièrement ouvert	<ul style="list-style-type: none">- Tension trop basse- Surcharge- Balais de moteur usés- Vitesse maximum mal réglée	Vérifiez-la - doit être supérieur à 108 V Réduisez la charge Remplacez les balais du moteur Voir RÉGLAGES
Le moteur fonctionne par à coups	<ul style="list-style-type: none">- I.R. Comp trop élevé- Moteur a atteint sa capacité- Moteur n'absorbe pas assez de courant- Potentiomètre max réglé trop haut- Vitesse du moteur dépasse sa vitesse nominale	Voir RÉGLAGES Voir RÉGLAGES Supérieur à 150 mA CC Voir RÉGLAGES Réduisez la vitesse
Les fusibles sautent de manière répétée	<ul style="list-style-type: none">- Tension trop basse- Surcharge- Balais de moteur usés- Roulements défectueux- Composant électrique défectueux	À vérifier - devrait être supérieure à 108V Réduisez la charge Remplacez-les Remplacez-les Appelez le Distributeur ou un représentant Dart
Le moteur fonctionne, mais ne peut pas s'arrêter	<ul style="list-style-type: none">- Câblage irrégulier (version protégée) - Câblage défectueux- Composant défectueux	Consultez la rubrique RACCORDEMENT DU BORNIER pour les instructions de câblage correctes (voyez en particulier le raccordement de la ligne CA) Vérifier le câblage Appelez le Distributeur ou un représentant Dart

Si la commande ne fonctionne toujours pas, consultez votre distributeur ou représentant Dart.

SPÉCIFICATIONS

Tension CA d'entrée ±10% de la tension nominale du secteur
 Accélération 0,5 à 8,0 secondes (remarque - option -17B)
 Ampérage - sortie CC 150 mA à 10,8 Ampères CC
 Surcharge admissible 150% pour une minute
 Plage du limiteur de courant du potentiomètre 0,3 à 3,0 amps CC (251G) ; 1,0 à 15,0 CC (253G)
 Décélération (dépend du réglage du temps d'accélération) plage de 0,06 à 0,8 seconde

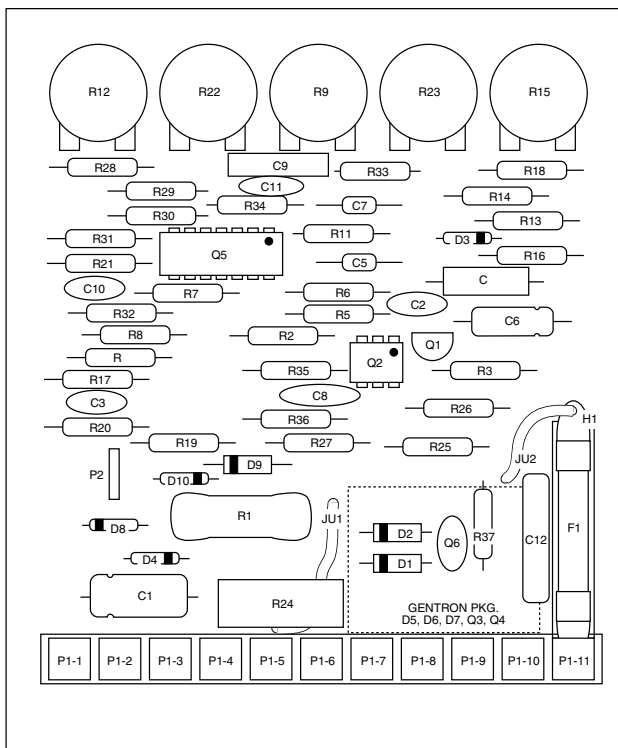
DIM. ET POIDS	LARGEUR	LONG.	PROFONDEUR	POIDS	VERSION
SYSTEME	5.530"	7.250"	3.500"	23.50 oz.	Protégée
ANGLAIS	5.530"	7.000"	1.550"	16.25 oz.	Sur châssis
	140mm	184mm	89mm	597 gms.	Protegee
MÉTRIQUE	140mm	178mm	39mm	413 gms.	Sur châssis

Facteur de surcharge de la commande 1,0
 Efficacité typique 85 %
 Fréquence de l'entrée 50 ou 60 Hz
 Plage max du pot. de vitesse 66% à 110 % de la vitesse de base
 Plage min. du pot. de vitesse 0% à 30% de la vitesse maximum
 Impédance externe min. (pot. hi vers pot. lo) 5K ohms
 Périphériques d'alimentation Pont à double alternance intégré
 Tension d'excitation shunt 100 VCC pour une entrée de 120 VCA ; 200 VCC pour une entrée de 240 VCA ;
 1 ampère max
 Commande de vitesse via un potentiomètre linéaire de 5K Ohms 2 W ou un signal isolé 0 à 10 VCC
 Plage de vitesse 50:1
 Réglage de la vitesse ±1 % de la vitesse de base
 Température de fonctionnement -10° à 45° C (15° à 115° F)
 Protection transitoire G-Mov
 Type de section d'accel/décél. linéaire

COURANTS DE MOTEUR TYPIQUES

PUISSANCE, en HP	1/50	1/20	1/8	1/4	1/3	1/2	3/4	1.0	1.5	2.0
Ampérage CA typique (120 VCA)	0.26	.70	1.80	3.50	4.40	6.50	9.30	13.20	—	—
Ampérage ARM typique (120 VCA)	0.20	.50	1.40	2.70	3.40	5.00	7.20	10.20	—	—
Ampérage CA typique (240 VCA)	—	—	—	1.80	2.20	3.30	4.80	6.50	9.70	12.90
Ampérage Arm typique (240 VCA)	—	—	—	1.40	1.70	2.50	3.70	5.00	7.50	9.90

EMPLACEMENT ET LISTE DES PIÈCES



RÉSISTANCES

R1 15K 8W
 R2 2.7K
 R3 2.7K
 R4 1.2M
 R5 180K
 R6 82K
 R7 470K
 R8 15K
 R9 250K (ACCEL)
 R10 5K SPEEDPOT*
 R11 10K
 R12 5K (MIN)
 R13 470K
 R14 300K
 R15 5K (C.L.)
 R16 4.7K
 R17 390K
 R18 4.7K
 R19 150K
 R20 1K
 R21 1K
 R22 50K (MAX)
 R23 100Ω (I.R.)
 R24 .01Ω 5W
 R25 390Ω
 R26 390Ω
 R27 1K
 R28 20K 1/4W
 R29 10K
 R30 180K
 R31 390K
 R32 47K
 R33 470K
 R34 100K
 R35 470Ω
 R36 91K
 R37 1Ω

DIODES

D1 1N4005
 D2 1N4005
 D3 1N914B
 D4 1N5242B
 D5 L512FY131
 D6 L512FY131
 D7 L512FY131
 D8 1N914B
 D9 1N4005
 D10 1N5233B

ÉQUIPEMENTS

ACTIFS
 Q1 2N6027
 Q2 3052MOC
 Q3 L512FY131
 Q4 L512FY131
 Q5 LM324NIC
 Q6 275V G-MOV

PIÈCES DIVERSES

F1 FUSIBLE DE 10 AMP. (branchement direct sur secteur)
 (fusibles série en céramique Bussman ABC ou Little Fuse 314)
 H1 PORTE-FUSIBLE S-8201-1X
 JU1 1.75" - 16GA. FIL NU SOLIDE
 JU2 2.50" - 16GA. FIL NU SOLIDE
 P1 11 BORNIER DE POSITION
 P2 BORNE À PLAGE OUVERTE 1/4"

MODIFICATIONS -17B:

C9...22UF 50V N.P.
 R28...10K

MODIFICATIONS -34A:

R10.. Raccordez aux 3 fils
 de la position R15
 R15.. Effacez Potentiomètre

MODIFICATIONS

251G-12C
 R24...1Ω 5W

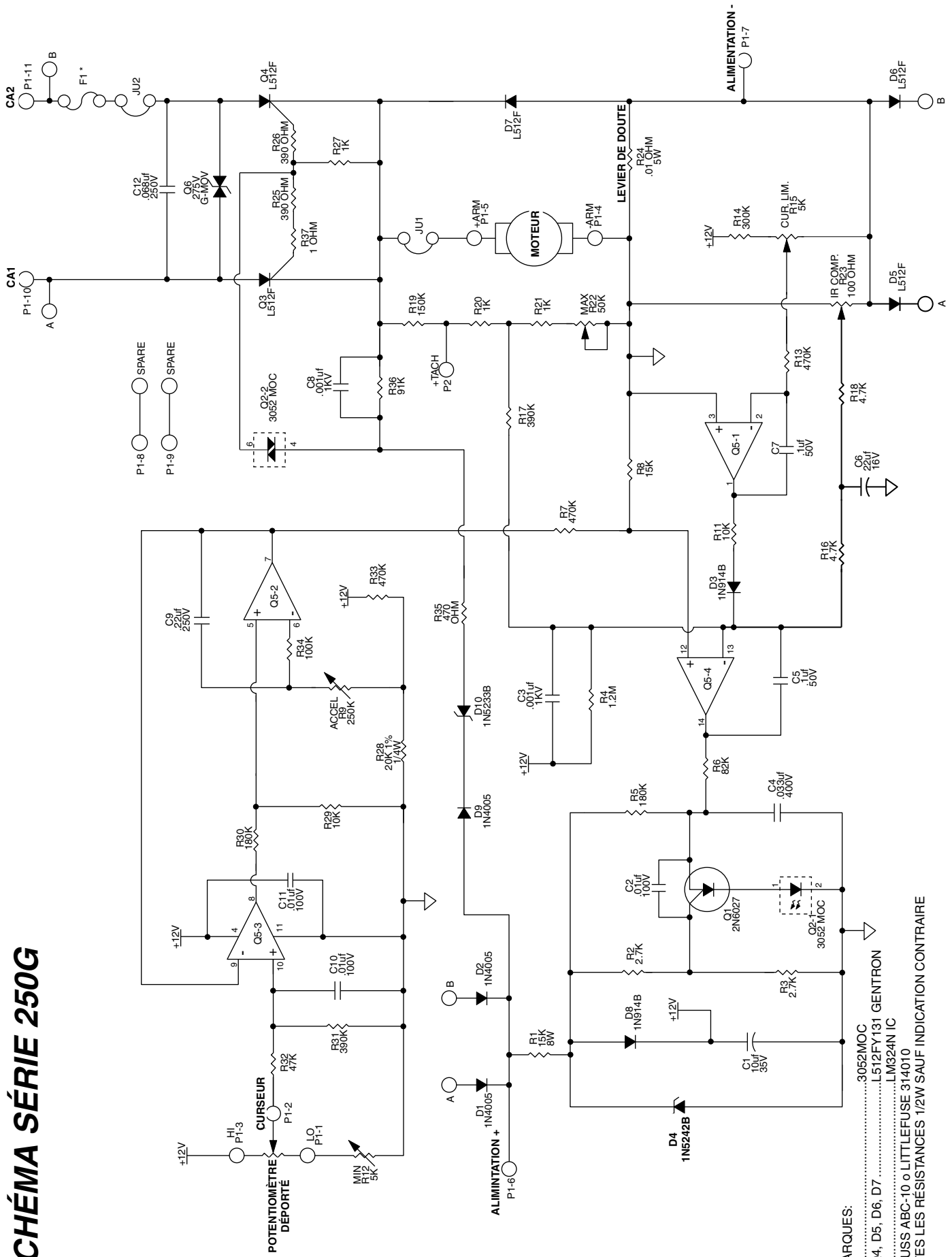
CONDENSATEURS

C1 10uF 35V
 C2 .01uf 100V
 C3 .001uf 1KV
 C4 .033uf 400V
 C5 .1uf 50V
 C6 22uf 16V
 C7 .1uf 100V
 C8 .001uf 1KV
 C9 .22uf 250V
 C10 .01uf 100V
 C11 .01uf 100V
 C12 .068uf 250V

REMARQUE: TOUTES LES RÉSISTANCES 1/2W SAUF INDICATION
 CONTRAIRE

* POTENTIOMÈTRE CÂBLÉ PAR UTILISATEUR

SCHÉMA SÉRIE 250G



- REMARQUES:
- Q2.....3052MOC
 - Q3, Q4, D5, D6, D7.....L512FY131 GENTRON
 - Q5.....LM324N IC
 - F1* BUSS ABC-10 o LITTLE FUSE 314010
 - TOUTES LES RESISTANCES 1/2W SAUF INDICATION CONTRAIRE

NOTES:

MORE DC MOTOR SPEED CONTROL PRODUCTS FOR YOUR EVERYDAY NEEDS



Stock # 5JJ58
1/40 - 2/3 Hp
NEMA 4 Enclosed



Stock # 2M510
1/50 Hp - 1.0 Hp
Open Chassis SCR



Stock # 6Z385A
1/50 Hp - 2.0 Hp
Open Chassis SCR



Stock # 6Z388B
1/4 - 2 Hp
NEMA 4/4X
Extra Features



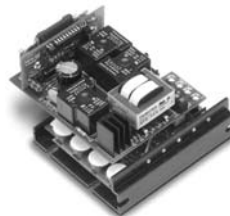
Stock # 6Z386A
1/50 - 2 Hp
NEMA 4/4X
Extra Features



Stock # 1XC92A
Field Programmable
Closed-loop DC
Speed Control



Stock # 5JJ62
Variable AC Voltage
control



Stock # 5HA33
1/15 - 1.0 Hp
Reversing Control



Stock # 6Z392
Shaft-mounted Hall-
Effect pulse generator



Stock # 3VU55, 5JJ52, 6YC44
DC Input - Variable DC Output
10, 20, and 60 Amp Models



Stock # 3VU57
Field Programmable
Digital Tachometer
and Rate Meter

These and other controls available at W.W. Grainger, Inc.