

OVERVIEW

The Cobra Mini Can is virtually UNBREAKABLE and is the toughest, most innovative, Correctional SpecificSM IN-CELL trash receptacle. Ideal for continuous use in extreme environments! **Manufactured to ISO Quality Standards in the USA.**

FABRICATION/MATERIAL

Rotationally molded structural polyethylene for maximum strength while maintaining flexibility. Rolled rim for extra strength and to secure liners.

- Virtually Unbreakable
- .20" Nominal Wall Thickness

COLOR See chart below. Custom colors available upon request.

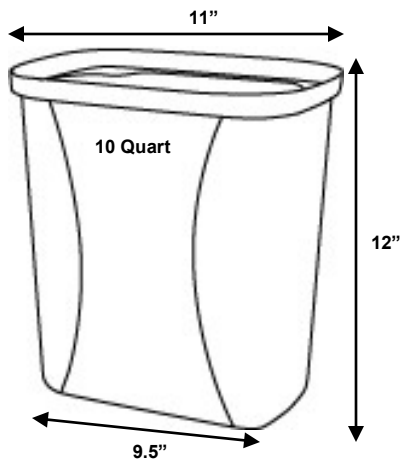
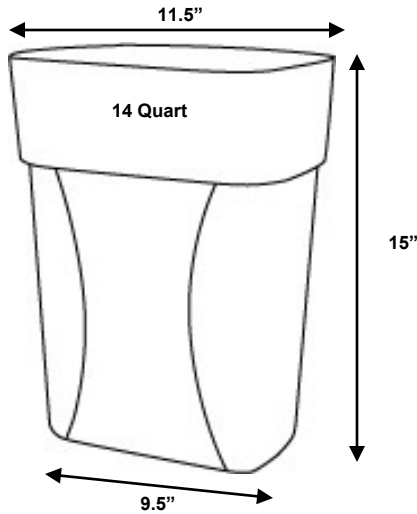
WEIGHT See Chart

OPTIONS N/A

ASSEMBLY N/A

WARRANTY 10 Year Warranty.

MAINTENANCE Easy to clean and maintain with damp cloth. Resistant to stains.



Item #	Size	Color	Weight	Carton Dims.
710BL	10 Quart	Blue	1.8 lbs.	24" x 12" x 10"
710G	10 Quart	Gray	1.8 lbs.	24" x 12" x 10"
710GR	10 Quart	Green	1.8 lbs.	24" x 12" x 10"
710BK	10 Quart	Black	1.8 lbs.	24" x 12" x 10"
710BR	10 Quart	Brown	1.8 lbs.	24" x 12" x 10"
714BL	14 Quart	Blue	2.3 lbs.	24" x 12" x 10"
714G	14 Quart	Gray	2.3 lbs.	24" x 12" x 10"
714GR	14 Quart	Green	2.3 lbs.	24" x 12" x 10"
714BK	14 Quart	Black	2.3 lbs.	24" x 12" x 10"
714BR	14 Quart	Brown	2.3 lbs.	24" x 12" x 10"