

ABANAKI
CORPORATION

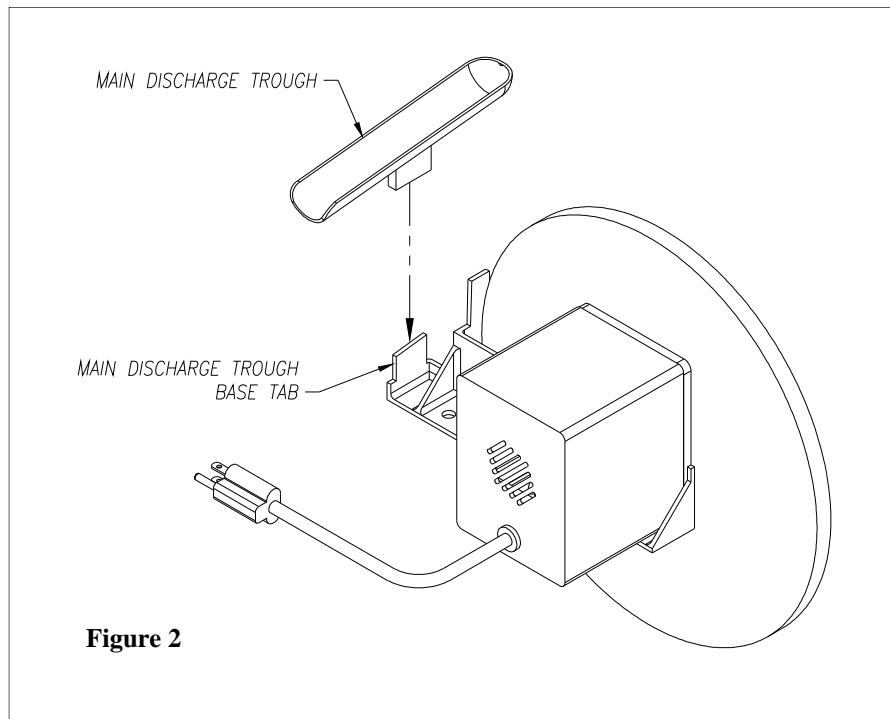
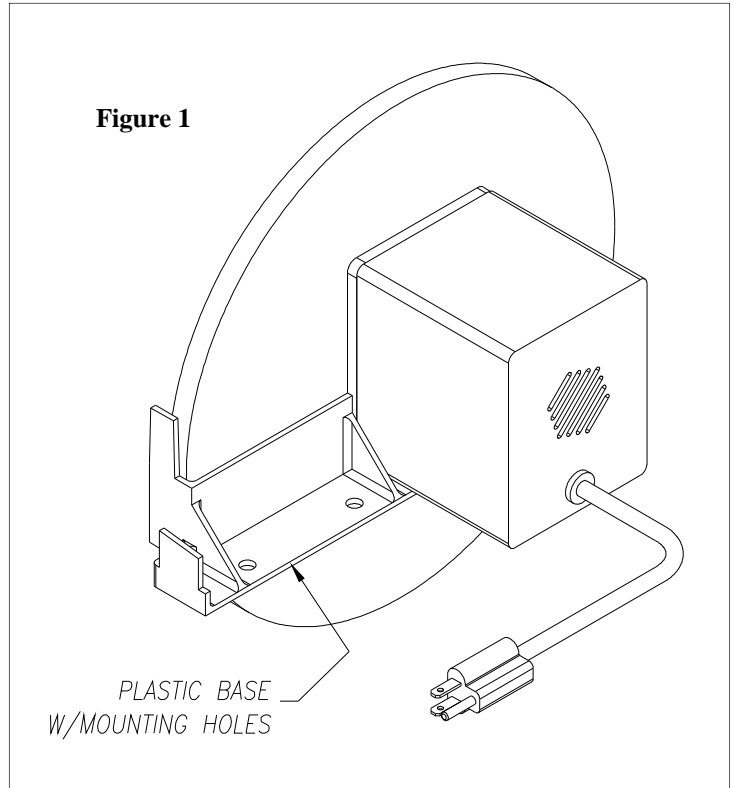
17387 Munn Road
Chagrin Falls, OH 44023
Phone: (440) 543-7400
Fax: (440) 543-7404
1-800-358-SKIM (7546)
www.abanaki.com

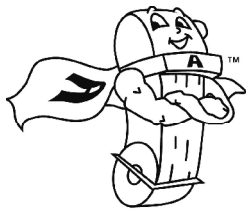
Cool Disk™ 12" Oil Skimmer Installation/Parts List

Step 1. Mount your Abanaki Cool Disk™ Oil Skimmer on a flat surface using the two holes in the mounting bracket. (See Fig. 1) Note: The Bottom of the Disk must be in the liquid to be skimmed.

Step 2. Carefully slide the Main Discharge Trough onto the Main Discharge Trough Base Tab. (See Fig. 2).

Step 3. Carefully slide the Wiper Blade Discharge Trough onto the Wiper Blade Discharge Trough Base Tab. (See Fig. 3)





ABANAKI
CORPORATION

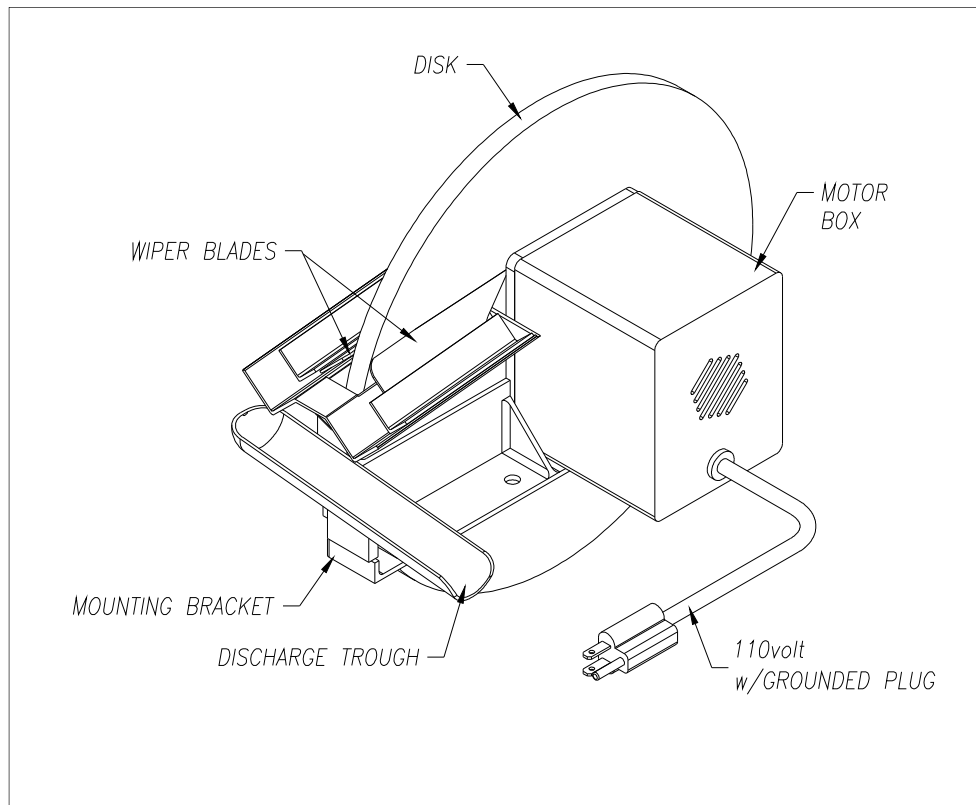
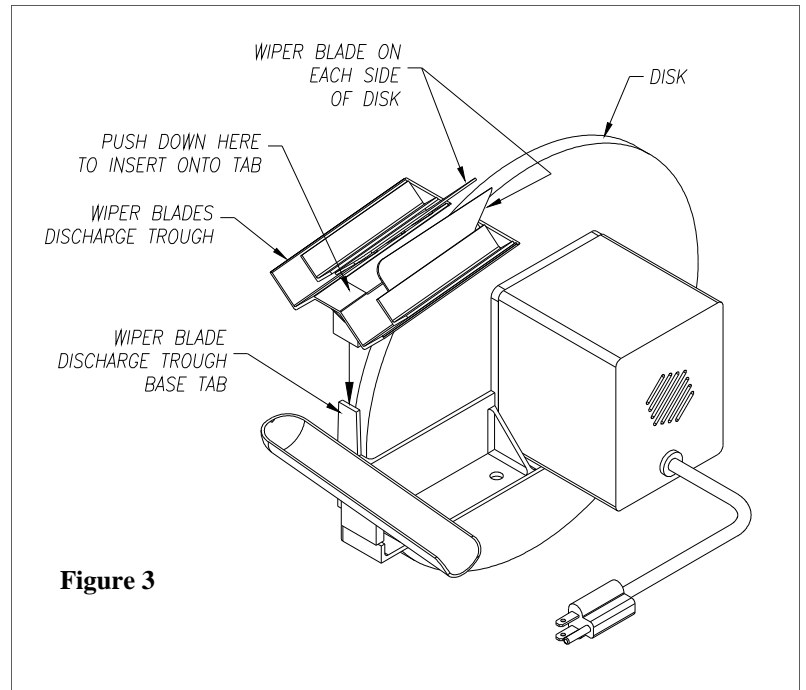
17387 Munn Road
Chagrin Falls, OH 44023
Phone: (440) 543-7400
Fax: (440) 543-7404
1-800-358-SKIM (7546)
www.abanaki.com

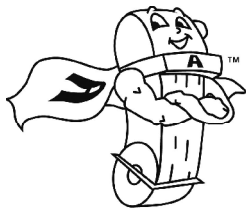
Cool Disk™ 12" Oil Skimmer

Installation/Parts List

Step 4. Place a suitable collection container under the discharge end of the main discharge trough.

Step 5. Plug the three pronged cord into a grounded outlet.



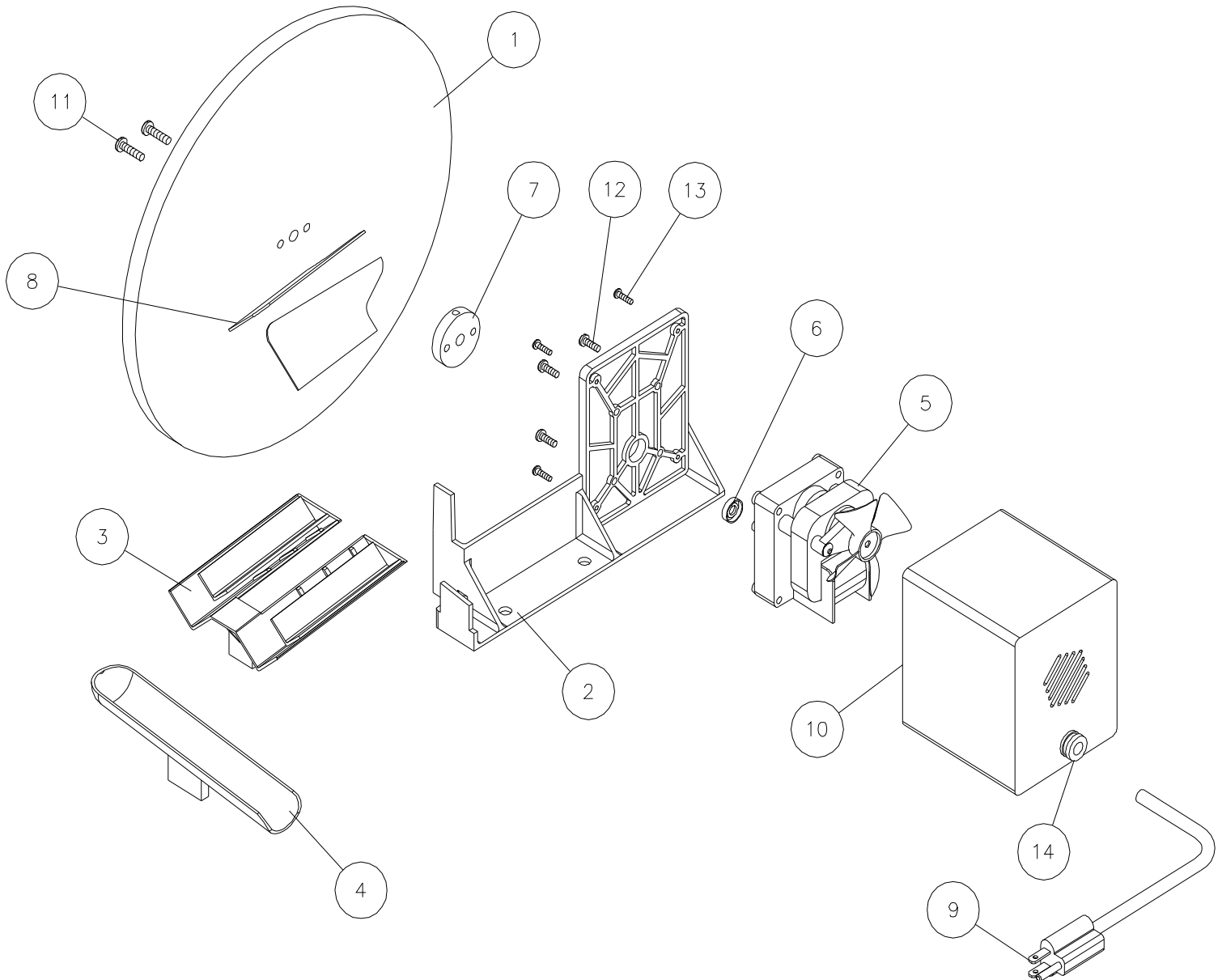


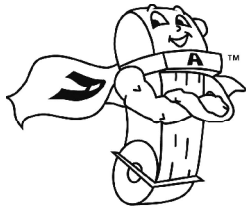
ABANAKI
CORPORATION

17387 Munn Road
Chagrin Falls, OH 44023
Phone: (440) 543-7400
Fax: (440) 543-7404
1-800-358-SKIM (7546)
www.abanaki.com

Cool Disk™ 12" Oil Skimmer

Installation/Parts List





ABANAKI
CORPORATION

17387 Munn Road
Chagrin Falls, OH 44023
Phone: (440) 543-7400
Fax: (440) 543-7404
1-800-358-SKIM (7546)
www.abanaki.com

Cool Disk™ 12" Oil Skimmer

Installation/Parts List

Item	Qty.	Description	Part Number
1	1	Disk	PMD-12
2	1	Plastic Base	PCD-01
3	1	Plastic Wiper Blade Discharge Trough	PCD-05B
4	1	Plastic Main Discharge Trough	PCD-05A
5	1	Motor	M13-C
6	1	Motor Shaft Seal	PMM-42
7	1	Motor Shaft Disk Plate	PMD-22A
8	1	Wiper Blade Set (2)	PMD-09A
9	1	8' Grounded Cord	E20A
10	1	Plastic Motor Box	PLB-04
11	2	#10-32 x 3/4" Lg. PH Screw	N/A
12	4	#8-32 x 3/8" Lg. PH Screw	N/A
13	4	#4 x 5/8" Lg. Phillips Oval Tapping Screw	N/A
14	1	Cord Grip	P200B