

# Cool Disk™



Model SDC12

The inexpensive way to remove unwanted tramp oils from coolants and parts washers, but with all the quality that you expect from Abanaki!

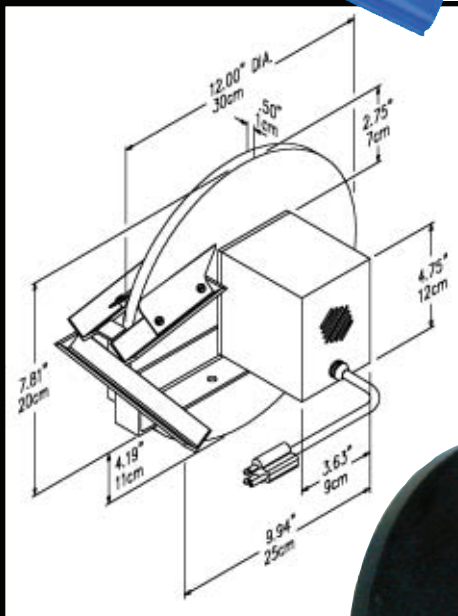
**Long-Lasting.** Engineered polymer construction insures a long, corrosion free life.

**Effective.** Removes up to 1½ gallons per hour of medium weight oil.

**Compact.** Use it almost anywhere a flat surface is available for mounting.

**Portable.** Weighs less than 10 pounds, installs in no time, and runs on 110v power (other voltages available).

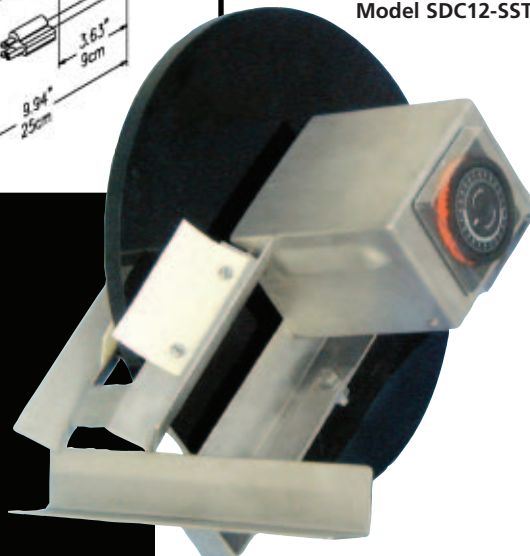
**Complete.** Put it to work right out of the box. Just plug it in and skim!



Go With  
The Pro!

Skimmerman™

Model SDC12-SST



## Standard Features

- Available in 12" diameter
- 110v continuous duty fan cooled motor
- High temperature disk material (up to 160°)
- Capped troughs prevent oil drips
- Textured boomerang blades wipe more oil off disk and prevent sloppy drips
- Motor shaft is sealed to prevent premature motor wear from oil contamination
- Motor housing is vented for longer motor life

Stainless steel disk skimmers for harsh chemical environments!

Introducing a disk skimmer constructed of stainless steel for those applications where carbon steel or polymer housing may fail. Includes an integrated 24 hour timer with unlimited 15 minute increment settings. Perfect for parts washers or plating tanks!

# ABANAKI



**ABANAKI**  
CORPORATION  
OIL SKIMMER DIVISION  
17387 Munn Road • Chagrin Falls, Ohio 44023  
Ph: (440) 543-7400 • FAX: (440) 543-7404  
800-358-SKIM (7546)  
<http://www.abanaki.com>