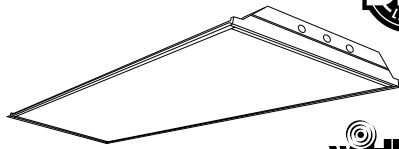


LED



**wiHUBB**  
createchange

**FEATURES**

- Full distribution LED troffer
- Direct replacement of fluorescent 2x4
- Long-life, 60,000 hour LEDs at L80 reduce life cycle maintenance costs
- Four LED color choices and 80 CRI
- Many shielding choices
- Two door frame choices
- Metal to metal light leak protection on all four sides of shielding frame
- Fixed output, step dimming (high/low/off), or 0-10V dimming drivers available
- Hinged optical system allows easy access to LED modules and electrical from below the ceiling
- All models standard with IC rating
- DesignLights Consortium® (DLC) qualified
- Available with exclusive wiHUBB technology preinstalled
- Five year warranty

**PROJECT INFORMATION**

Project Name \_\_\_\_\_

Type \_\_\_\_\_

Catalog No. \_\_\_\_\_

Date \_\_\_\_\_

**CONSTRUCTION**

Luminaire housing, end caps, and reflectors are die-formed code-gauge cold-rolled steel. Optical system hinges from either side for easy access to LED module and electrical components. Mechanical light trap prevents light leaks.

**CEILING COMPATIBILITY**

Designed for recessed installation in standard inverted tee grid ceilings (G). Four integral T-bar clips standard. Also available for recessed installation in hard ceilings (G with FK accessory), surface mount at ceiling plane (SM), or cable mount suspension below ceiling plane (CM). For compatibility with specific ceilings contact your Hubbell Lighting representative.

**FINISH**

All metal parts processed with a multi-stage phosphate bonding treatment and finished with a high reflectance baked white enamel.

**CERTIFICATION**

All luminaires are built to UL 1598 and 2108 standards, and bear appropriate CSA labels. Damp location labeling is standard. Emergency equipped fixtures labeled UL924. Adheres to LM79, LM80 and TM21 industry standards. IC rating is standard on all models. DesignLights Consortium® (DLC) qualified. Please refer to the DLC website for specific product qualifications at [www.designlights.org](http://www.designlights.org).

**SHIELDING**

Lens is high transmission pattern #12 acrylic (A12) for light diffusion without compromise to light output. Other shielding may be specified. If desired shielding media is not shown in ordering guide, contact your local Hubbell Lighting representative.

**WARRANTY**

Five year warranty. (Terms and Conditions Apply)

**INSTALLATION**

An access plate is furnished with each recessed fixture for fast wiring connections without the necessity to open the fixture or wireway.

**ORDERING INFORMATION**

**EXAMPLE LJT24-35MLG-FSA12-EU**

| LJT 24 -               |                                                                                                                                                     |                                                                                                          |                                                                                                                                                                                                                                                                                |                                                        |             | U -                                                                                                                                                                                                                                                                                                                                                                                          |  |
|------------------------|-----------------------------------------------------------------------------------------------------------------------------------------------------|----------------------------------------------------------------------------------------------------------|--------------------------------------------------------------------------------------------------------------------------------------------------------------------------------------------------------------------------------------------------------------------------------|--------------------------------------------------------|-------------|----------------------------------------------------------------------------------------------------------------------------------------------------------------------------------------------------------------------------------------------------------------------------------------------------------------------------------------------------------------------------------------------|--|
| MODEL                  | COLOR TEMP                                                                                                                                          | CEILING TYPE                                                                                             | SHIELDING                                                                                                                                                                                                                                                                      | DRIVER                                                 | VOLTAGE     | OPTIONS                                                                                                                                                                                                                                                                                                                                                                                      |  |
| LJT LED Lensed Troffer | 30 3000K<br>35 3500K<br>40 4000K<br>50 5000K                                                                                                        | G Grid <sup>1</sup><br>SM Surface Mount<br>CM Cable Mount <sup>2</sup>                                   | A12 Pattern 12 Acrylic Lens<br>A12125 Pattern 12 Acrylic Lens, 0.125" Nominal<br>A12F Pattern 12 Frosted Acrylic Lens<br>A12125F Pattern 12 Frosted Acrylic Lens, 0.125" Nominal<br>A19 Pattern 19 Acrylic Lens, 0.156" Nominal<br>A19F Pattern 19 Frosted Acrylic Lens 0.156" | E Fixed Output<br>ESD Step Dimming<br>ED 0-10V Dimming | U 120V-277V | C388 3-Wire Flex<br>C488 4-Wire Flex<br>C588 5-Wire Flex<br>ELL14 Emergency Battery Pack Installed, 1400 Lumens <sup>3,4</sup><br>GLR Fast Blow Fuse<br>GTD Generator Transfer Device<br>G1 Single Gasketing (Door to Housing)<br>G2 Double Gasketing (G1 and Lens to Door)<br>G3 Triple Gasketing (G2 and Housing to Ceiling)<br>WIH wiHUBB <sup>4,5</sup><br>GTD Generator Transfer Device |  |
| SIZE                   | LUMEN OUTPUT                                                                                                                                        | DOOR                                                                                                     |                                                                                                                                                                                                                                                                                |                                                        |             |                                                                                                                                                                                                                                                                                                                                                                                              |  |
| 24 2' x 4'             | LW Low Watt<br>ML Medium Lumen<br>HL High Lumen<br>VL Very High Lumen<br>XL Extra High Lumen<br><small>See Product Availability Table Below</small> | FS White Flush Steel<br>FA White Flush Aluminum<br><small>For more door options contact factory.</small> |                                                                                                                                                                                                                                                                                |                                                        |             |                                                                                                                                                                                                                                                                                                                                                                                              |  |

| PRODUCT AVAILABILITY |        |               |       |           |
|----------------------|--------|---------------|-------|-----------|
| SIZE                 | OUTPUT | LUMENS        | WATTS | LPW       |
| 24                   | LW     | 4,050 - 4,325 | 39    | 107 - 112 |
|                      | ML     | 4,600 - 4,900 | 45    | 103 - 109 |
|                      | HL     | 5,350 - 5,650 | 49    | 110 - 115 |
|                      | VL     | 6,825 - 7,200 | 68    | 102 - 107 |
|                      | XL     | 8,250 - 8,775 | 85    | 98 - 104  |

Based on A12 lens, range represents 3000K through 5000K. Lumens will vary according to color temperatures and other factors. See specific photometric test(s).

<sup>1</sup> For hard ceilings use flange kit accessory.  
<sup>2</sup> Order hanger accessories separately.  
<sup>3</sup> For compatibility with Dual-Lite LiteGear® inverters in lieu of installed battery pack, contact Hubbell Lighting Representative.  
<sup>4</sup> Not available with Surface Mount.  
<sup>5</sup> In-Fixture Module Antenna adds 2" to overall fixture height at power feed location.  
 Damp label—standard.  
 IC rating—standard.

**ACCESSORIES (ORDER SEPARATELY)**

- FK24** 2' x 4' Single Flange Kit
- CM48Y2SC3F-KIT** 48" Cable Mount Kit for 2' wide CM ceiling type, 3 Wire Feed Cord



## PHOTOMETRIC DATA

Test L051401201 Test Date 05/14/2014

### LUMINAIRE DATA

|                             |                                                                                                      |
|-----------------------------|------------------------------------------------------------------------------------------------------|
| Luminaire                   | LJT24-35LWG-FSA12-EDU<br>LJT LED, Lensed Troffer<br>2 x 4 LED with A12 pattern acrylic<br>prism lens |
| Ballast                     | D15CC55UNVT-C                                                                                        |
| Ballast Factor              | 1.00                                                                                                 |
| Lamp                        | LED                                                                                                  |
| Fixture Lumens              | 4151                                                                                                 |
| Watts                       | 38.76                                                                                                |
| Mounting                    | Recessed                                                                                             |
| Shielding Angle             | 0° = 90 90° = 90                                                                                     |
| Spacing Criterion           | 0° = 1.17 90° = 1.17                                                                                 |
| Luminous Opening<br>in feet | Length: 3.81<br>Width: 1.80<br>Height: 0.00                                                          |

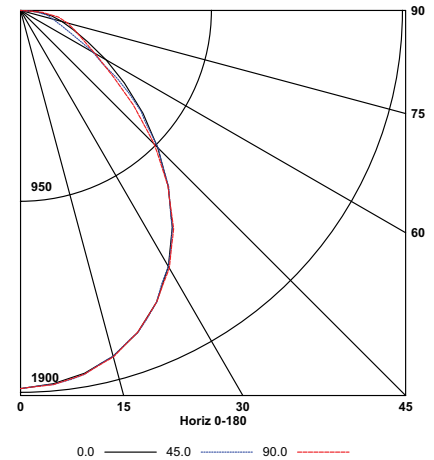
### ENERGY DATA

|                                                            |                                                    |
|------------------------------------------------------------|----------------------------------------------------|
| Total Luminaire Efficiency                                 | 100.0%                                             |
| Total Lumens per Watt                                      | 107                                                |
| ANSI/IESNA RP-1-2004<br>Compliance                         | Noncompliant                                       |
| Comparative Yearly Lighting<br>Energy Cost per 1000 Lumens | \$2.26 based on<br>3000 hrs. and<br>\$0.08 per KWH |

### ZONAL LUMEN SUMMARY

| Zone  | Lumens | %Lamp | %Fixt. |
|-------|--------|-------|--------|
| 0-30  | 1419   | 34.2  | 34.2   |
| 0-40  | 2244   | 54.0  | 54.0   |
| 0-60  | 3519   | 84.8  | 84.8   |
| 0-90  | 4151   | 100.0 | 100.0  |
| 0-180 | 4151   | 100.0 | 100.0  |

### INDOOR CANDELA PLOT



Test L051401202 Test Date 05/14/2014

### LUMINAIRE DATA

|                             |                                                                                                      |
|-----------------------------|------------------------------------------------------------------------------------------------------|
| Luminaire                   | LJT24-35MLG-FSA12-EDU<br>LJT LED, Lensed Troffer<br>2 x 4 LED with A12 pattern acrylic<br>prism lens |
| Ballast                     | D15CC55UNVT-C                                                                                        |
| Ballast Factor              | 1.00                                                                                                 |
| Lamp                        | LED                                                                                                  |
| Fixture Lumens              | 4772                                                                                                 |
| Watts                       | 45.34                                                                                                |
| Mounting                    | Recessed                                                                                             |
| Shielding Angle             | 0° = 90 90° = 90                                                                                     |
| Spacing Criterion           | 0° = 1.17 90° = 1.17                                                                                 |
| Luminous Opening<br>in feet | Length: 3.81<br>Width: 1.80<br>Height: 0.00                                                          |

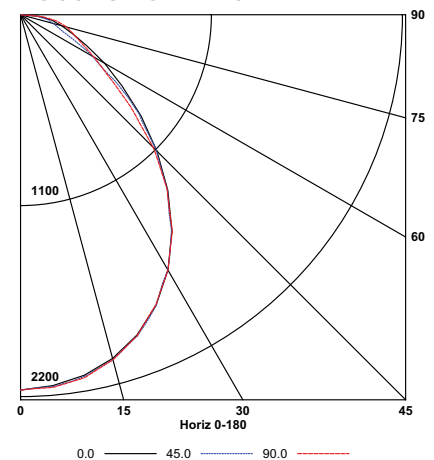
### ENERGY DATA

|                                                            |                                                    |
|------------------------------------------------------------|----------------------------------------------------|
| Total Luminaire Efficiency                                 | 100.0%                                             |
| Total Lumens per Watt                                      | 105                                                |
| ANSI/IESNA RP-1-2004<br>Compliance                         | Noncompliant                                       |
| Comparative Yearly Lighting<br>Energy Cost per 1000 Lumens | \$2.26 based on<br>3000 hrs. and<br>\$0.08 per KWH |

### ZONAL LUMEN SUMMARY

| Zone  | Lumens | %Lamp | %Fixt. |
|-------|--------|-------|--------|
| 0-30  | 1636   | 34.3  | 34.3   |
| 0-40  | 2586   | 54.2  | 54.2   |
| 0-60  | 4044   | 84.7  | 84.7   |
| 0-90  | 4772   | 100.0 | 100.0  |
| 0-180 | 4772   | 100.0 | 100.0  |

### INDOOR CANDELA PLOT



Test L051401203 Test Date 05/14/2014

### LUMINAIRE DATA

|                             |                                                                                                      |
|-----------------------------|------------------------------------------------------------------------------------------------------|
| Luminaire                   | LJT24-35HLG-FSA12-EDU<br>LJT LED, Lensed Troffer<br>2 x 4 LED with A12 pattern acrylic<br>prism lens |
| Ballast                     | D15CC55UNVT-C                                                                                        |
| Ballast Factor              | 1.00                                                                                                 |
| Lamp                        | LED                                                                                                  |
| Fixture Lumens              | 5490                                                                                                 |
| Watts                       | 49.40                                                                                                |
| Mounting                    | Recessed                                                                                             |
| Shielding Angle             | 0° = 90 90° = 90                                                                                     |
| Spacing Criterion           | 0° = 1.17 90° = 1.17                                                                                 |
| Luminous Opening<br>in feet | Length: 3.81<br>Width: 1.80<br>Height: 0.00                                                          |

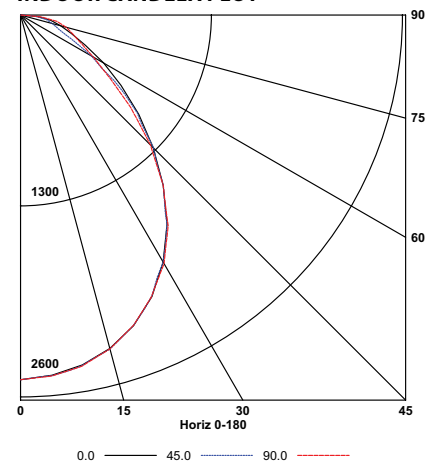
### ENERGY DATA

|                                                            |                                                    |
|------------------------------------------------------------|----------------------------------------------------|
| Total Luminaire Efficiency                                 | 100.0%                                             |
| Total Lumens per Watt                                      | 111                                                |
| ANSI/IESNA RP-1-2004<br>Compliance                         | Noncompliant                                       |
| Comparative Yearly Lighting<br>Energy Cost per 1000 Lumens | \$2.14 based on<br>3000 hrs. and<br>\$0.08 per KWH |

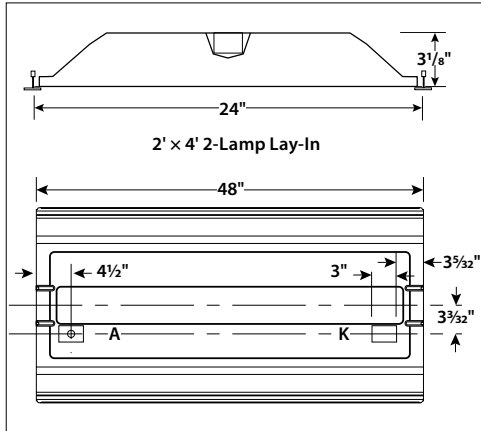
### ZONAL LUMEN SUMMARY

| Zone  | Lumens | %Lamp | %Fixt. |
|-------|--------|-------|--------|
| 0-30  | 1873   | 34.1  | 34.1   |
| 0-40  | 2961   | 53.9  | 53.9   |
| 0-60  | 4651   | 84.7  | 84.7   |
| 0-90  | 5490   | 100.0 | 100.0  |
| 0-180 | 5490   | 100.0 | 100.0  |

### INDOOR CANDELA PLOT



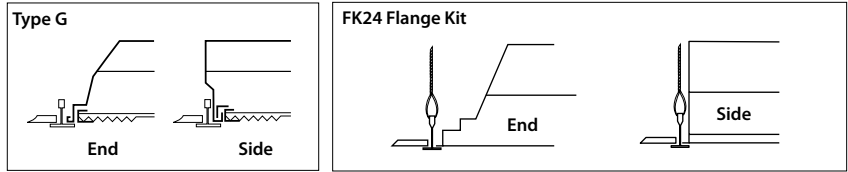
**DIMENSIONAL DATA**



A: 7/8" Diameter knockout  
K: 2" x 3" through hole for access plate.

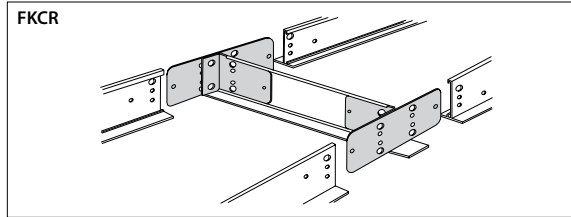
**NOTE:** All dimensions are in inches; dimensions and specifications are subject to change without notice. Please consult factory or check sample for verification.

**CEILING COMPATIBILITY**



For lay-in installation in exposed grid ceilings. Maximum tee widths of 1" and maximum tee heights of 2" allowed.

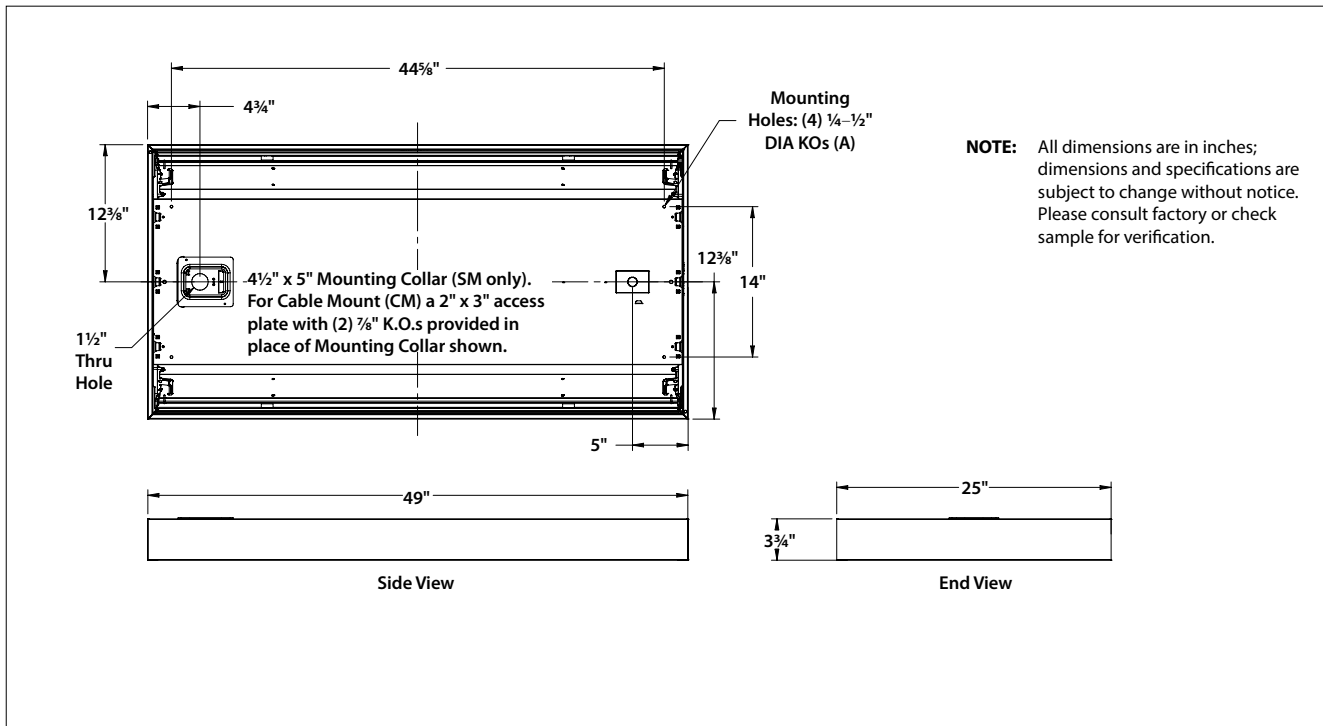
For hard ceiling applications order FK24 flange kit. Flange kit wires directly into concealed ceiling opening for a clean, finished appearance.



For flanged fixtures in row configurations, the FKCR adapter bracket kit is required in addition to the FK24 kit. Order one less FKCR than the total number of fixtures in row. (Example: Row of two, order (2) FK24 & (1) FKCR)

Rough cut out dimensions using FK24 & FKCR adapters:  
Width 24 3/8", Length [48" x (# in row)] + 3/8". Example: (48" x 2) + 3/8" = 96 3/8"  
Flange kit rough in dimensions for single unit only: 24 3/8" x 48 3/8"

**DIMENSIONAL DATA - SURFACE MOUNT (SM) AND CABLE MOUNT (CM)**



**NOTE:** All dimensions are in inches; dimensions and specifications are subject to change without notice. Please consult factory or check sample for verification.

**SURFACE MOUNT**

Order SM ceiling type. Mounting collar required for surface mounting. (4) Mounting knock-outs, 1/4" to 1/2" provided as shown, marked "A".

**CABLE MOUNT**

Order CM ceiling type. Access plate supplied for cable mounting or suspension. Use CM48Y2C3F-KIT 48" cable mount kit. Includes 3 wire feed cord. For other wiring needs, contact Hubbell Lighting representative. Mounting knock-outs, 1/4" to 1/2", provided as shown, marked "A".

