

CALPIPE SECURITY BOLLARDS

CALPIPE SECURITY BOLLARDS
 12021 WOODRUFF AVE
 DOWNEY, CA 90241
 TOLL FREE: 1-877-283-8518
 PHONE: (562) 803-4388
 FAX: (562) 803-9883
 www.calpipebollards.com

- SELECT DESIRED BOLLARD MATERIAL (4" NOMINAL SIZE):
- SSF04000 SCH 10 STAINLESS STEEL
 - SSF04040 SCH 40 STAINLESS STEEL
 - SSF04080 SCH 80 STAINLESS STEEL
 - IBF04040 SCH 40 ASTM A-53 CARBON STEEL
 - IBF04080 SCH 80 ASTM A-53 CARBON STEEL

- SELECT DESIRED CARBON STEEL BOLLARD FINISH:
- POWDERCOAT RAL # _____
 - AS SPECIFIED _____

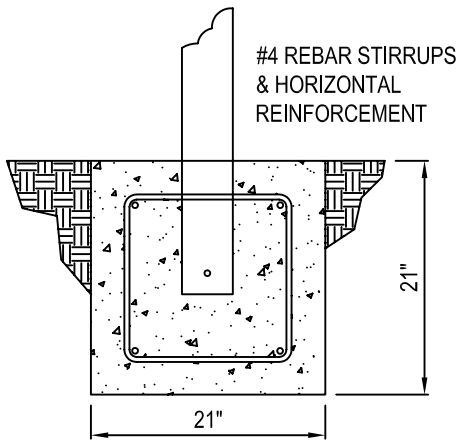
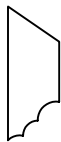
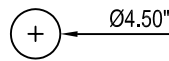
- SELECT DESIRED BOLLARD CAP STYLE:
- DOME
 - STANDARD FLAT
 - VIKING
 - KNIGHT

DOME

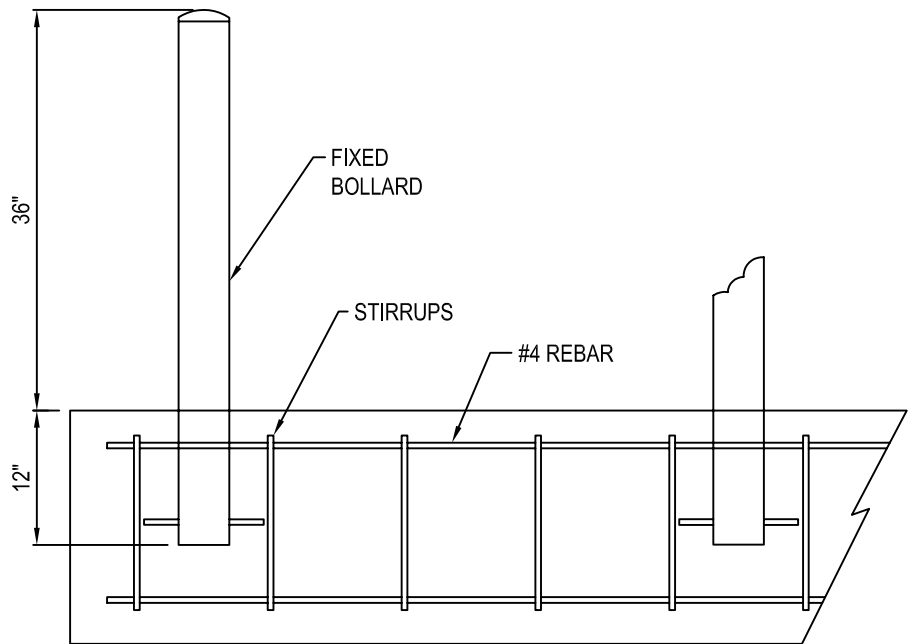
STANDARD FLAT

VIKING

KNIGHT



END VIEW - FOUNDATION



ELEVATION VIEW - FOUNDATION

NOTES:

1. INSTALLATION TO BE COMPLETED IN ACCORDANCE WITH MANUFACTURER'S SPECIFICATIONS.
2. ALL DIMENSIONS ARE CONSIDERED TRUE AND REFLECT MANUFACTURER'S SPECIFICATIONS.
3. DO NOT SCALE DRAWING.
4. CONTRACTOR'S NOTE: FOR PRODUCT AND COMPANY INFORMATION VISIT www.CADdetails.com/info REFERENCE NUMBER 2905-015.

