

CALPIPE SECURITY BOLLARDS

CALPIPE SECURITY BOLLARDS
 12021 WOODRUFF AVE
 DOWNEY, CA 90241
 TOLL FREE: 1-877-283-8518
 PHONE: (562) 803-4388
 FAX: (562) 803-9883
 www.calpipebollards.com

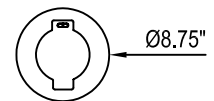
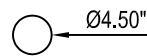
- SELECT DESIRED BOLLARD MATERIAL (4" NOMINAL SIZE):
- SSP04000 SCH 10 STAINLESS STEEL
 - SSP04040 SCH 40 STAINLESS STEEL
 - SSP04080 SCH 80 STAINLESS STEEL
 - IBP04040 SCH 40 ASTM A-53 CARBON STEEL
 - IBP04080 SCH 80 ASTM A-53 CARBON STEEL

- SELECT DESIRED CARBON STEEL BOLLARD FINISH:
- POWDERCOAT RAL # _____
 - AS SPECIFIED _____

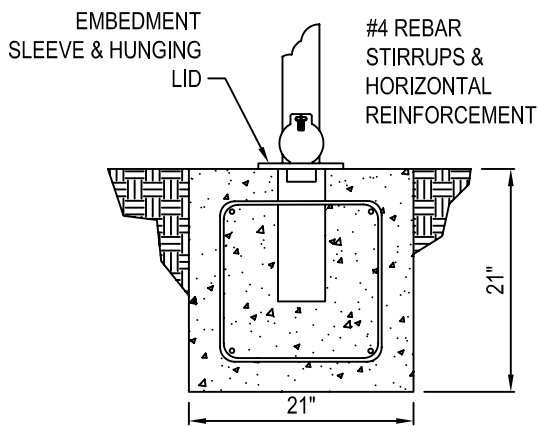
- SELECT DESIRED BOLLARD CAP STYLE:

- DOME
- STANDARD FLAT
- VIKING
- KNIGHT

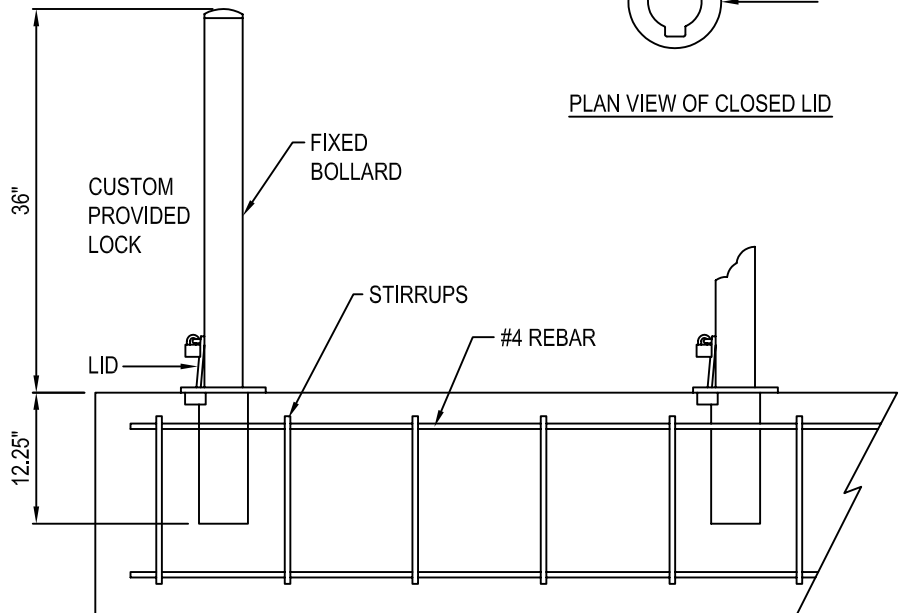
DOME STANDARD FLAT VIKING KNIGHT



PLAN VIEW OF CLOSED LID



END VIEW - FOUNDATION



ELEVATION VIEW - FOUNDATION

NOTES:

1. INSTALLATION TO BE COMPLETED IN ACCORDANCE WITH MANUFACTURER'S SPECIFICATIONS.
2. ALL DIMENSIONS ARE CONSIDERED TRUE AND REFLECT MANUFACTURER'S SPECIFICATIONS.
3. DO NOT SCALE DRAWING.
4. CONTRACTOR'S NOTE: FOR PRODUCT AND COMPANY INFORMATION VISIT www.CADdetails.com/info REFERENCE NUMBER 2905-022.

