

Please read and save these instructions. Read carefully before attempting to assemble, install, operate or maintain the product described. Protect yourself and others by observing all safety information. Failure to comply with instructions could result in personal injury and/or property damage! Retain instructions for future reference.

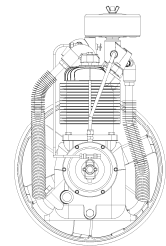
Champion Two-Stage Air Compressor Pumps

Description

Champion compressor heads (air pumps) are two-stage, heavy-duty, industrial units. Each unit is equipped with a centrifugal unloader for loadless starting; counter-balanced, ductile iron crankshaft, tapered roller bearings; and die cast aluminum cylinders with cast iron sleeves. Compressor heads also feature Swedish steel disc-type valves, finned intercooler, splash lubrication system, visual oil-level gauge and balanced, fan-type flywheel (rotates CCW facing flywheel).

Model 3Z180C utilizes pressure switch control for intermittent duty applications (start-stop operations).

Model 3Z181C uses constant speed control for continuous duty applications.



C417-B
(Ref. Drawing)

Figure 1 – Compressor (Air Pump)

Specifications

Bore & stroke.....	4-5/8 x 2-1/2 x 3"
No. cylinders.....	2
CFM/REV.....	.02914
Oil capacity.....	2 qts.
Weight.....	109 Lbs.
Max. pressure.....	175 PSIG
Min. operating speed.....	400 RPM
Max. operating speed.....	1050 RPM

⚠ DANGER

This reciprocating compressor must not be used for breathing air. To do so will cause serious injury whether air is supplied directly from the compressor source or to breathing tanks for later use. Any and all liabilities for damage or loss due to injuries, death and/or property damages stemming from the use of this compressor to supply breathing air, will be disclaimed by the manufacturer.

⚠ WARNING

The use of this compressor as a booster pump and/or to compress a medium other than atmospheric air is strictly non-approved and can result in equipment damage and/or injury. Non-approved uses will also void the warranty.

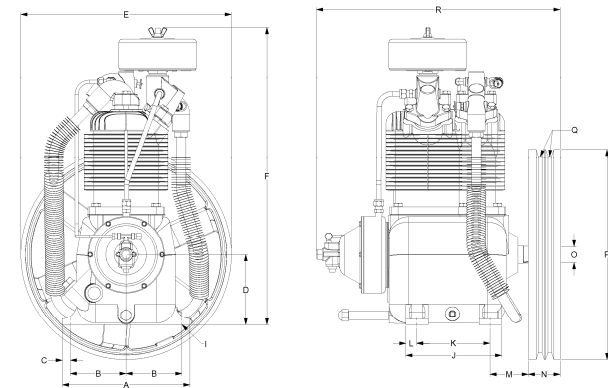


Figure 2 - Dimensions

C416-B
(Ref. Drawing)

Ref	Description	Dim.
A	Base width	10"
B	Bolt down width	4-3/8"
C	Bolt down to edge	5/8"
D	Base to crank center	5-1/2"
E	Overall width	18"
F	Overall height	23-1/4"
I	Bolt down hole diameter	15/32"
J	Base depth	7-1/2"
K	Bolt down depth	5-3/4"
L	Bolt down to edge	7/8"
M	Bolt down to wheel (max.)	3-5/8"
N	Flywheel width	2-1/2"
O	Crank diameter	1-5/16"
P	Flywheel diameter	16-1/2"
Q	Flywheel grooves	2VB
R	Overall depth	20"

NOTE: Flywheel rotation clockwise when viewed from front, flywheel to rear.

Champion Two-Stage Air Compressor Pumps

Performance

PSI	3 HP				5 HP			
	Disp CFM	Free Air CFM	Pump RPM	1725 Motor Sheave	Disp CFM	Free Air CFM	Pump RPM	1725 Motor Sheave
100	15.5	12.7	530	5.0	24.8	20.8	855	8.2
125	14.2	10.9	485	4.6	23.4	19.1	805	7.7
150	13.5	10.4	460	4.4	22.1	17.8	760	7.3
175	12.9	9.7	440	4.2	20.7	16.5	710	6.8

(*) Recommended motor speed is 1725 RPM. Sheave size and performance figures are based on 1725 RPM motor speed. Flywheel has two grooves for "B" section belts.

ENGLISH

General Safety Information

Because an air compressor is a piece of machinery with moving and rotating parts, the same precautions should be observed as with any piece of machinery of this type when carelessness in operation or maintenance is hazardous to personnel. In addition to the many obvious safety rules that should be followed with this type of machinery, the additional safety precautions as listed below must be observed:

1. Read all instructions completely before operating air compressor or unit.
2. For installation, follow all local electrical and safety codes, as well as the United States National Electrical Code (NEC) and the Occupational Safety and Health Act (OSHA).
3. Electric motors must be securely and adequately grounded. This can be accomplished by wiring with a grounded, metal-clad raceway system, to starter; by using a separate ground wire connected to the bare metal of the motor frame; or other suitable means.
4. Protect the power cable from coming in contact with sharp objects. Do not kink power cable and never allow the cable to come in contact with oil, grease, hot surfaces, or chemicals.
5. Make certain that the power source conforms to the requirements of your equipment.
6. Pull main disconnect switch and disconnect any separate control lines, if used, before attempting to work or perform maintenance on the air compressor or unit. Tagout or lockout power source.
7. Do not attempt to remove any compressor parts without first relieving the entire system of pressure.
8. Do not attempt to service any part while machine is in an operational mode.
9. Do not operate the compressor at pressures in excess of its rating.
10. Do not operate the compressor at speeds in excess of its rating.
11. Periodically check all safety devices for proper operation. Do not change pressure setting or restrict operation in any way.
12. Be sure no tools, rags, or loose parts are left on the compressor or drive parts.
13. Do not use flammable solvents for cleaning the air inlet filter or element and other parts.
14. Exercise cleanliness during maintenance and when making repairs. Keep dirt away from parts by covering parts and exposed openings with clean cloth or Kraft paper.
15. Do not operate the compressor without guards, shields and screens in place.
16. Do not install a shut-off valve in the discharge line, unless a pressure relief valve, of proper design and size, is installed in the line between the compressor unit and shut-off valve.
17. Do not operate compressor in areas where there is a possibility of ingesting flammable or toxic fumes.
18. Be careful when touching the exterior of a recently run motor — it may be hot enough to be painful or cause injury. With modern motors this condition is normal if operated at rated load — modern motors are built to operate at higher temperatures.
19. Inspect unit daily to observe and correct any unsafe operating conditions found.
20. Do not "play around" with compressed air nor direct air stream at body because this can cause injuries.
21. Compressed air from this machine absolutely must not be used for food processing or breathing air without adequate downstream filters, purifiers and controls.
22. Always use an air pressure regulating device at the point of use, and do not use air pressure greater than marked pressure maximum of attachment.
23. Check hoses for weak or worn condition before each use and make certain that all connections are secure.

Models 3Z180C and 3Z181C

General Safety Information (Continued)

24. Always wear safety glasses when using a compressed air blow gun.

The user of any air compressor package manufactured by Champion is hereby warned that failure to follow the preceding Safety and Operation Precautions can result in personnel injuries or equipment damage. However, Champion does not state as fact, nor does not mean to imply that the preceding list of Safety and Operating Precautions is all inclusive, and further, that the observance of this list will prevent all personnel injuries or equipment damage.

EXPLANATION OF SAFETY INSTRUCTION SYMBOLS AND DECALS

▲ DANGER Indicates immediate hazards which will result in severe injury or death.

▲ WARNING Indicates hazards or unsafe practice which could result in severe injury or death.

▲ CAUTION Indicates hazards or unsafe practice which may result in damage to the compressor or minor injury.

Observe, understand and retain the information given in the safety precaution decals as shown in the parts list section.

Installation

- All compressor units must be located in a clean, well ventilated dry room so compressor receives adequate supply of fresh, clean, cool and dry air. Further, a compressor unit that will be used for painting equipment must be located in a separate room from that area wherein body sanding and painting are done. Abrasive particles or paint, found to have clogged the air intake filters and intake valves, shall void all warranty consideration.
- Compressors should never be located so close to a wall or other obstruction that flow of air

through the fan bladed flywheel, which cools the compressor, is impeded. Permanently mounted units should have flywheel at least 12" from wall.

- If installing a bare pump, make certain the system has adequate pressure limiting controls. Controls could be a pressure switch for start/stop operation or a pilot valve for continuous operation. If a pilot valve is used, the compressor must be equipped with head unloaders.
- A properly sized air check valve must be installed in the discharge piping, between the compressor outlet and the inlet of any air receiver tank(s) in the system.

▲ DANGER Do not install isolating valves between compressor outlet and air receiver. This will cause excessive pressure if valve is closed and cause injury and equipment damage.

▲ WARNING Always use an air pressure regulating device at the point of use. Failure to do so can result in injury or equipment damage.

▲ CAUTION Do not install in an area where ambient temperature is below 32°F or above 100°F. Do not install unit in an area where air is dirty and/or chemical laden. Unit is not to be installed outdoors.

▲ CAUTION Wiring must be such that when viewing compressor from opposite shaft end, rotation of shaft is clockwise as shown by arrow on guard. Wrong direction rotation for any length of time will result in damage to compressor unit.

GENERAL

- Select proper motor horsepower and compressor speed by consulting the performance section.
- Do not overspeed the compressor. This will severely shorten the life of

the pump and may overload the electric motor.

- Check that the compressor rotation is counterclockwise facing the flywheel.
- All moving parts must be guarded. A belt guard must be installed before operating the unit.
- Operate compressor in a well ventilated, clean area.
- Install compressor at least 12" from nearby walls. This will ensure an unobstructed flow of air to cool the compressor.
- Make sure the recommended oil has been added to the compressor crankcase. See Lubrication under "Maintenance".
- This compressor has been designed for a 80%/ON – 20%/OFF duty cycle.

Preparation for Initial Start-Up and Operation

- Pull main disconnect switch to unit to assure that no power is coming into the unit.
- Check compressor crankcase to make sure oil has been added.
- Inspect unit for any visible signs of damage that would have occurred in shipment or during installation.
- Activate main disconnect switch.
- "Jog" motor and check for proper rotation by direction arrow. If rotation is wrong, reverse input connections on the magnetic starter (3 Phase Units Only).
- Close receiver outlet hand valve and start unit.
- With receiver hand valve closed, let machine pump up to operating pressure. At this stage the automatic controls will take over. Check for proper cycling operation.
- Check for proper operation of any options, e.g., head unloaders with pilot valve. Refer to individual option instruction sheet.
- When the initial run period has shown no operating problems, shut unit down and recheck oil level.
- Open receiver hand valve. The air compressor unit is now ready for use.

Champion Two-Stage Air Compressor Pumps

E
N
G
L
I
S
H

Operation (Continued)

IMPORTANT: This compressor has a maximum operating pressure of 175 PSIG. Do not alter pressure settings on control components above this limit.

CONSTANT SPEED UNLOADING & PILOT VALVE (MODEL 3Z181C ONLY)

This compressor is equipped with head valve unloaders. The pilot valve is designed to act as an automatic ON and OFF air switch. When in the ON position it allows air to flow from the tank through the valve to the compressor head unloader mechanism, thus actuating it. In the OFF position this valve stops the flow of air through the valve and releases the pressure in the line to the head unloader.

The pilot valve works as follows: Tank air pressure acts on the bottom of the valve. When pressure is great enough to overcome spring force holding valve down on lower seat, it lifts off seat and allows air to flow around valve and out through side opening in pilot valve. When valve lifts off lower seat it moves up and seats on upper seat where it is held by tank pressure. When pressure in tank and on valve drops, spring forces valve back down on lower seat. Air in line to device being actuated can then escape through upper seat and out vent hole. The pressure at which the pilot valve is ON or OFF is controlled by the spring which has been installed at the factory. A small adjustment can be made in the field by changing the spring force by compressing the spring more or less with the adjusting screw provided on the pilot valve.

COMPRESSOR PILOT VALVE PRESSURE ADJUSTMENT

Refer to Figure 3.

Proceed with the following instructions while compressor is running:

1. Loosen locknut (Ref. No. 4) and back off several turns. Do not turn differential adjuster (Ref. No. 3).
2. Check reading on the tank pressure gauge. Set the compressor maximum pressure at 170 PSIG. Turn threaded cap (Ref. No. 1)

clockwise to increase pressure or counterclockwise to decrease differential pressure.

3. After pressure is set, tighten locknut (Ref. No. 2). Be careful not to move threaded cap (Ref. No. 1).

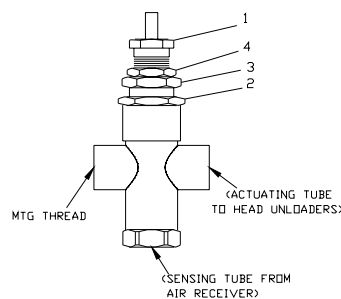
COMPRESSOR PILOT VALVE DIFFERENTIAL PRESSURE ADJUSTMENT

Proceed with the following instructions while compressor is running:

1. Loosen locknut (Ref. No. 2) and back off several turns.
2. Check reading on the tank pressure gauge. Set the pressure to 30 PSIG differential (unload at 170 PSIG reload at 140 PSIG). Turn nut (Ref. No. 3) clockwise to increase differential pressure or counterclockwise to decrease differential pressure.
3. After pressure is set, tighten locknut (Ref. No. 2). Be careful not to move nut (Ref. No. 3).

Pilot Valve

Assembly Part No.	Pressure Range
M2855	75 - 95 PSIG
M2854	90 - 120
M2853	140 - 170



B-980-B
(Ref. Drawing)

Figure 3 – Adjusting Pilot Valves

Maintenance

To obtain reliable and satisfactory service, this unit requires a consistent preventive maintenance schedule. A maintenance schedule form is included to aid in keeping the proper records.

▲ WARNING

Before performing any maintenance function, switch main disconnect switch to OFF position to assure no power is entering unit. Lock out or tag out all sources of power. Be sure all air pressure in unit is relieved. Failure to do this may result in injury or equipment damage.

DAILY MAINTENANCE

1. Check oil level of both compressor and engine if so equipped. Add quality lubricating oil as required. See section on "Compressor Oil Specifications".
2. Drain moisture from tank by opening tank drain cock located in bottom of tank. Do not open drain valve if tank pressure exceeds 25 PSIG.
3. Turn off compressor at the end of each day's operation. Turn off power supply at wall switch.

WEEKLY MAINTENANCE

1. Clean dust and foreign matter from cylinder head, motor, fan blade, air lines, intercooler and tank.
2. Remove and clean intake air filters.

▲ WARNING

Do not exceed 15 PSIG nozzle pressure when cleaning element parts with compressed air. Do not direct compressed air against human skin. Serious injury could result. Never wash elements in fuel oil, gasoline or flammable solvent.

3. Check V-belts for tightness. The V-belts must be tight enough to transmit the necessary power to the compressor. Adjust the V-belts as follows:
 - a. Remove bolts and guard to access compressor drive.
 - b. Loosen mounting hardware which secures motor to base. Slide motor within slots of baseplate to desired position.

Models 3Z180C and 3Z181C

MAINTENANCE (Continued)

- c. Apply pressure with finger to one belt at midpoint span. Tension is correct if belt can be depressed 3/8 to 1/2". Make further adjustments if necessary.
- d. Check the alignment of pulleys. Adjust if necessary.
- e. Tighten mounting hardware to secure motor on base.
- f. Re-install guard and secure with bolts.

▲ WARNING Never operate unit without belt guard in place. Removal will expose rotating parts which can cause injury or equipment damage.

EVERY 90 DAYS OR 500 HOURS

1. Change crankcase oil. Use type and grade oil as specified in the section on "Compressor Oil Specifications"
2. Check entire system for air leakage around fittings, connections, and gaskets, using soap solution and brush.
3. Tighten nuts and capscrews as required.
4. Check and clean compressor valves, as required. Replace parts when worn or damaged.

▲ CAUTION Valves must be replaced in original position. Valve gaskets should be re-placed each time valves are serviced.

5. Pull ring on all pressure relief valves to assure proper operation.

GENERAL MAINTENANCE NOTES

BELTS

Drive belts must be kept tight enough to prevent slipping. If belts slip or squeak, see V-belt maintenance in preceding section.

▲ CAUTION If belts are too tight, overload will be put on motor and motor bearings.

COMPRESSOR VALVES

If compressor fails to pump air or seems slow in filling up tank, disconnect unit from power source, remove valves, and clean thoroughly, using compressed air or a soft wire brush. After cleaning, exceptional care must be taken that all parts are replaced in exactly the same position and all joints must be tight or the compressor will not function properly. When all valves are replaced and connections tight, close hand valve at tank outlet for final test. Valve gaskets should be replaced each time valves are removed from pump.

CENTRIFUGAL UNLOADER AND PRESSURE RELEASE VALVE

The centrifugal unloader is operated by two governor weights. It is totally enclosed and lubricated from the crankcase of the compressor. When compressor starts the governor weights automatically open compressing the main spring, allowing the unloader release valve to close. When the compressor stops, the main spring returns the governor weights to normal position opening the pressure release valve and unloading the compressor.

This prevents overloading the motor when starting. If air continues to escape through the governor or unloader pressure release valve while operating, this is an indication that the release valve is not closing tightly and may be held open by foreign substance which has lodged on the seat. In order to correct this, remove the governor release valve cap, giving access to release valve spring and ball. Clean thoroughly and return parts in the same order in which they were removed. Loose drive belts can also cause unloader to leak by preventing the compressor from reaching proper speed. (See "BELTS" above.)

THE INTERSTAGE PRESSURE RELIEF VALVE is provided to protect against interstage over pressure and is factory set for maximum pressure of .75 PSI.

IMPORTANT: Do not reset. If the pressure relief valve pops, it indicates trouble. Shut down the unit immediately and determine and correct the malfunction. Inspect the head valves. Serious damage can result if not corrected and can lead to complete destruction of the unit. Tampering with the interstage pressure relief valve, or plugging the opening destroys the protection provided and voids all warranty.

LUBRICATION OF COMPRESSOR

Fill crankcase to proper level as indicated by oil sight gauge. Keep crankcase filled as required by usage.

Champion Two-Stage Air Compressor Pumps

ENGINE

AIR COMPRESSOR OIL SPECIFICATIONS

Compressors are factory filled with CHAMPLUB hydrocarbon based recip lubricant. This is an ISO 100 non-detergent industrial lubricant with rust and oxidation inhibitors specially formulated for reciprocating compressors. It is recommended this compressor be maintained using this oil for ambient temperatures above 32°F.

CHAMPLUB synthetic is a premium grade diester based synthetic lubricant providing excellent performance in high temperature applications.

CAUTION Do not mix oil types, weights or brands.

CAUTION "Emulsification of oil (white milky substance) indicates unsafe accumulation of moisture and may be evidence compressor is oversized for application. Failure to promptly consult your local distributor, or Champion Customer Service, can be grounds to deny warranty."

NOTES:

1. Normal break-in period of Champion air compressors is 25 hours.
2. For the first 100 hours of compressor operation, a careful and regular check of the oil level should be made. Maintain oil level at the full line.

CHANGING TO SYNTHETIC LUBRICANT

(Applies to diester based synthetic lubricant only).

If changing to synthetic lubricant, the following steps must be completed.

1. Compressor must run for a 25 hour break-in period using ChampLub ISO 100 oil.

2. Thoroughly drain existing oil from crankcase.
3. Fill crankcase with a full charge of synthetic lubricant.
4. Run compressor for 200 hours.
5. Stop compressor and thoroughly drain the synthetic lubricant.
6. Add a full charge of synthetic lubricant.
7. Compressor now ready to run for extended period before next lubricant change.

LUBRICANT

DESCRIPTION	PART NUMBER
1 Quart Bottle ChampLub Mineral Lubricant	P13796A
1 Quart Bottle ChampLub Synthetic	P13929A

Models 3Z180C and 3Z181C

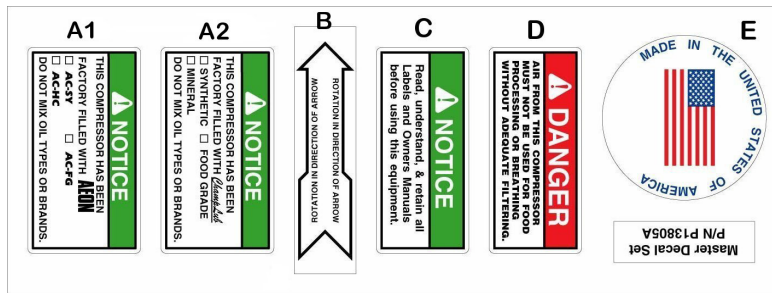
Troubleshooting Chart

Compressor Trouble	Possible Cause — Ref. Nos. (See Below)
NOTE: This is a general chart, some items may not apply to your specific compressor.	
Pumping excessive amount of oil	1, 7, 9, 11, 22, 23, 27
Knocks, rattles, excessive vibration	2, 17, 18, 19, 20, 21, 23, 26
Air delivery has dropped off	1, 5, 18, 22, 23
Low discharge pressure	1, 5, 6, 17, 18, 22, 23
Trips motor overload or draws excessive current	8, 13, 14, 15, 18, 20, 21, 23
Water in crankcase or rusting in cylinders	11, 12
Machine won't unload (constant speed control)	1, 16
Excessive load/unload cycles	3, 5, 6
Compressor doesn't unload when stopped	19
Compressor won't come up to speed	13, 16
Pump running wrong direction	24
Abnormal piston, ring or cylinder wear	4, 7, 10, 11, 25
Compressor continues to unload	19, 28
Interstage pressure relief valve releasing	18, 29, 30

Ref. No.	Possible Cause(s)	Ref. No.	Corrective Action
1.	Clogged intake filter	1.	Clean or replace
2.	Loose flywheel or motor pulley	2.	Tighten
3.	Excess condensate in receiver	3.	Drain more often
4.	Air to flywheel blocked off	4.	Clean unit or relocate in ventilated area
5.	Air leaks in piping (on machine or in outside system)	5.	Replace leaking components or tighten as necessary
6.	Receiver check valve leaking	6.	Replace or repair as necessary
7.	Oil viscosity too low	7.	Use correct oil
8.	Oil viscosity too high	8.	Use correct oil
9.	Oil level too high	9.	Drain excess
10.	Oil level too low	10.	Fill with proper amount
11.	Detergent type oil being used	11.	Drain oil; fill with correct oil
12.	Extremely light duty or located in a damp, humid spot	12.	Run unit periodically even when not in use. Change location to drier environment
13.	Poor contacts, wrong starter heaters, line voltage incorrect	13.	Check connections & starter heaters
14.	Poor power regulation (unbalanced line, 3 phase motors)	14.	Consult power company
15.	V-Belts pulled excessively tight	15.	Loosen to correct tightness
16.	Defective unloading mechanism	16.	Replace or repair as necessary
17.	Carbon on top of piston	17.	Clean
18.	Leaking, broken, carbonized or loose valves or restricted air passage	18.	Clean or replace
19.	Defective centrifugal unloader	19.	Replace or repair as necessary
20.	Worn or scored connecting rod piston pin or crankpin bushing	20.	Repair or replace
21.	Defective bearing on crankshaft or on motor shaft	21.	Replace
22.	Piston rings broken or not seated in, end gaps not staggered, stuck in grooves, rough, scratched or excessive end gap	22.	Replace
23.	Cylinders or pistons scratched, worn or scored	23.	Replace or repair as necessary
24.	Three phase motor connection incorrect	24.	Interchange connections to starter
25.	Extremely dusty atmosphere	25.	Clean filter more often or use more effective filter
26.	Loose bolts, tank not level, compressor running too fast	26.	Tighten bolts, shim tank to level position, slow unit down by changing sheaves or slowing gas engine
27.	Running unloaded excessively	27.	Change control to start-stop or turn unit off when not in use for long periods
28.	Defective pilot valve	28.	Replace
29.	Sticking head unloader	29.	Check and repair if necessary
30.	Blocked discharge	30.	Check piping for blockage

Champion Two-Stage Air Compressor Pumps

Hazard Decal & Tag Listing



PUMP HAZARD DECAL LISTING

DESCRIPTION	PART NO.
PUMP DECAL SHEET – MASTER	P13805A
NOT USED	A1
NOT USED	A2
DECAL – Rotation Direction	B
NOTICE – Read and Retain Manuals	C
DANGER – Breathing Air	D
NOT USED	E

Limited Warranty

Champion one-year limited warranty. Champion Two-Stage Air Compressor Pumps, Models covered in this manual, are warranted by Champion to the original user against defects in workmanship or materials under normal use for one year after date of purchase. Any part which is determined to be defective in material or workmanship and returned to an authorized service location, as Champion designates, shipping costs prepaid, will be, as the exclusive remedy, repaired or replaced at Champion's option. For limited warranty claim procedures, see PROMPT DISPOSITION below. This limited warranty gives purchasers specific legal rights which vary from jurisdiction to jurisdiction.

Limitation of liability. To the extent allowable under applicable law, Champion's liability for consequential and incidental damages is expressly disclaimed. Champion's liability in all events is limited to and shall not exceed the purchase price paid.

WARRANTY DISCLAIMER. CHAMPION HAS MADE A DILIGENT EFFORT TO PROVIDE PRODUCT INFORMATION AND ILLUSTRATE THE PRODUCTS IN THIS LITERATURE ACCURATELY; HOWEVER, SUCH INFORMATION AND ILLUSTRATIONS ARE FOR THE SOLE PURPOSE OF IDENTIFICATION, AND DO NOT EXPRESS OR IMPLY A WARRANTY THAT THE PRODUCTS ARE MERCHANTABLE, OR FIT FOR A PARTICULAR PURPOSE, OR THAT THE PRODUCTS WILL NECESSARILY CONFORM TO THE ILLUSTRATIONS OR DESCRIPTIONS. EXCEPT AS PROVIDED BELOW, NO WARRANTY OR AFFIRMATION OF FACT, EXPRESSED OR IMPLIED, OTHER THAN AS STATED IN THE "LIMITED WARRANTY" ABOVE IS MADE OR AUTHORIZED BY CHAMPION.

Product suitability. Many jurisdictions have codes and regulations governing sales, construction, installation, and/or use of products for certain purposes, which may vary from those in neighboring areas. While Champion attempts to assure that its products comply with such codes, it cannot guarantee compliance, and cannot be responsible for how the product is installed or used. Before purchase and use of a product, review the product application, and all applicable national and local codes and regulations, and be sure that the product, installation, and use will comply with them.

Certain aspects of disclaimers are not applicable to consumer products; e.g., (a) some jurisdictions do not allow the exclusion or limitation of incidental or consequential damages, so the above limitation or exclusion may not apply to you; (b) also, some jurisdictions do not allow a limitation on how long an implied warranty lasts, consequentially the above limitation may not apply to you; and (c) by law, during the period of this limited warranty, any implied warranties of implied merchantability or fitness for a particular purpose applicable to consumer products purchased by consumers, may not be excluded or otherwise disclaimed.

Prompt disposition. Champion will make a good faith effort for prompt correction or other adjustment with respect to any product which proves to be defective within limited warranty. For any product believed to be defective within limited warranty, first write or call dealer from whom the product was purchased. Dealer will give additional directions. If unable to resolve satisfactorily, write to W.W. Grainger, Inc. at address below, giving dealer's name, address, date, and number of dealer's invoice, and describing the nature of the defect. Title and risk of loss pass to buyer on delivery to common carrier. If product was damaged in transit to you, file claim with carrier.

Manufactured for W.W. Grainger, Inc., 5959 W. Howard St., Niles, Illinois 60714 U.S.A.

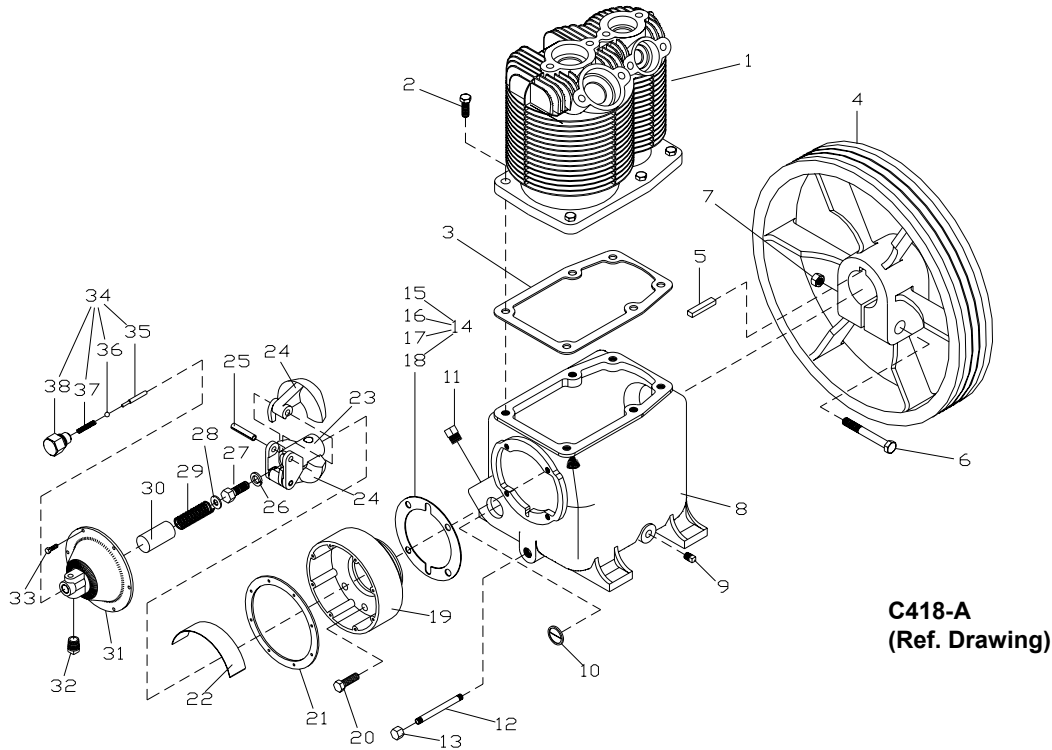
**For Replacement Parts, call 1-800-323-0620
24 hours a day - 365 days a year**

Please provide following information:

- Model number
- Serial number (if any)
- Part description and number as shown in parts list

Address parts correspondence to:

Grainger Parts Operations
P.O. Box 3074
1657 Shermer Road
Northbrook, IL 60065-3074 U.S.A.



**C418-A
(Ref. Drawing)**

Figure 5 — Replacement Parts Illustration for Crankcase & Unloader Assembly

Replacement Parts List for Crankcase & Unloader Assembly

Ref. No.	Description	Part No.	Qty.	Ref. No.	Description	Part No.	Qty.
1	Cylinder	P12237D	1	21▲	Governor housing cover gasket	SE1489	1
2	Hex head cap screw	M2345	6	22	Governor baffle plate	NR104	1
3▲	Cylinder flange gasket	NR29A	1	23	Governor wt. spindle	SE583B	1
4	Flywheel	NR7A	1	24	Governor wt.	SE582	2
5	Key	U8	1	25	Governor wt. pin	SE592A	2
6	Hex head cap screw	M738	1	26	Spring lock washer	M3468	1
7	Hex nut	M2955	1	27	Hex head cap screw	M2345	1
8	Crankcase	M1820	1	28	Flat washer	M912A	1
9	Pipe plug	64AA5	1	29	Governor main spring	SE590	1
10	Oil level gauge	RE714	1	30	Spring sleeve	SE587	1
11	Pipe plug (oil fill)	64A5	1	31	Governor housing cover	RE10100A	1
12	Oil drain pipe	M492	1	32	Unloader muffer assy.	Z4593	1
13	Oil drain cap	M461	1	33	Hex head machine screw	M3473	6
14	Governor housing gasket set	Z130	1	34	Release valve assy. kit	Z12414A	1
15▲	.030" Governor housing gasket	SE1430	1	35	Release valve plunger	SE586B	1
16▲	.005" Governor housing gasket	SE1430A	1	36	Ball release valve	P07841A	1
17▲	.010" Governor housing gasket	SE1430B	1	37	Release valve spring	SE591	1
18▲	.015" Governor housing gasket	SE1430	1	38	Release valve body	NR101	1
19	Governor housing	NR80A	1	▲	Complete pump gasket set	Z764	
20	Hex head cap screw	M2343	4				

E
N
G
L
I
S
H

**For Replacement Parts, call 1-800-323-0620
24 hours a day - 365 days a year**

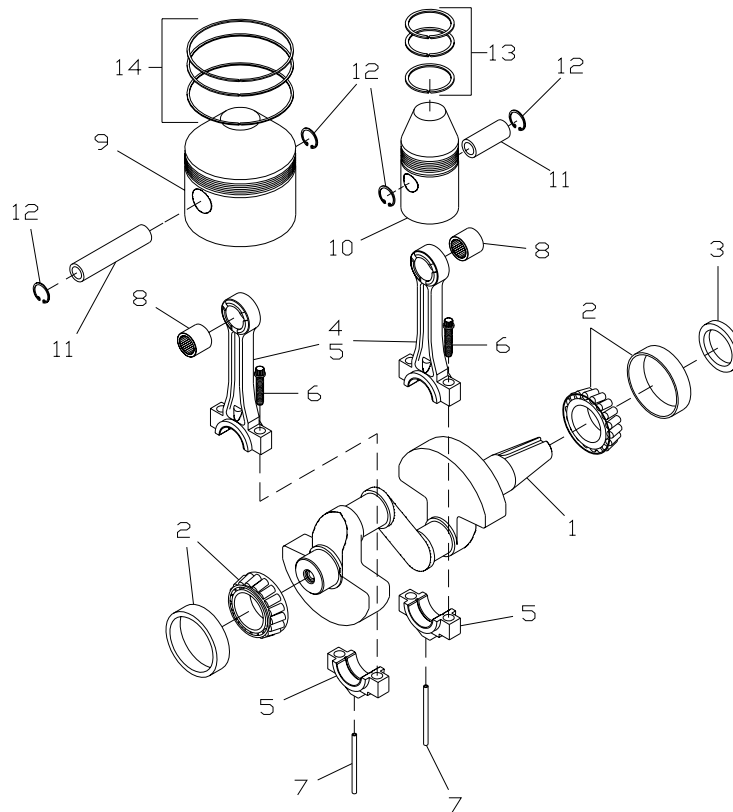
Please provide following information:

- Model number
- Serial number (if any)
- Part description and number as shown in parts list

Address parts correspondence to:

Grainger Parts Operations
P.O. Box 3074
1657 Shermer Road
Northbrook, IL 60065-3074 U.S.A.

E
N
G
L
I
S
H



**C419-A
(Ref. Drawing)**

Figure 6 — Replacement Parts Illustration for Crankshaft, Rods & Pistons

Replacement Parts List for Crankshaft, Pistons & Connecting Rod Assemblies

Ref. No.	Description	Part No.	Qty.	Ref. No.	Description	Part No.	Qty.
1	Crankshaft	R155	1	10●	HP Piston w/pin	ZP2709C	2
2	Main bearing assy.	ZNR16	2	11▲●	Piston pin	R1021	2
3	Oil seal	OSN4	1	12▲●	Piston pin retaining ring	R10102	4
4	Connecting rod assy. (Ref. Nos. 5,6,7 & 8)	Z750	2	13■▲	HP Piston ring set	Z797	1
5	Connecting rod	*	2	14■●	LP Piston ring set	Z798	2
6	Connecting rod bolt	M1583	4	●	HP Piston assy kit	Z9100	2
7	Oil dipper	R1524	2	▲	LP Piston assy kit	Z9101	2
8	Piston pin bearing	R1037	2	■	Complete pump ring set	Z799	1
9▲	LP Piston w/pin	ZR154	2				

(*) Not sold separately.

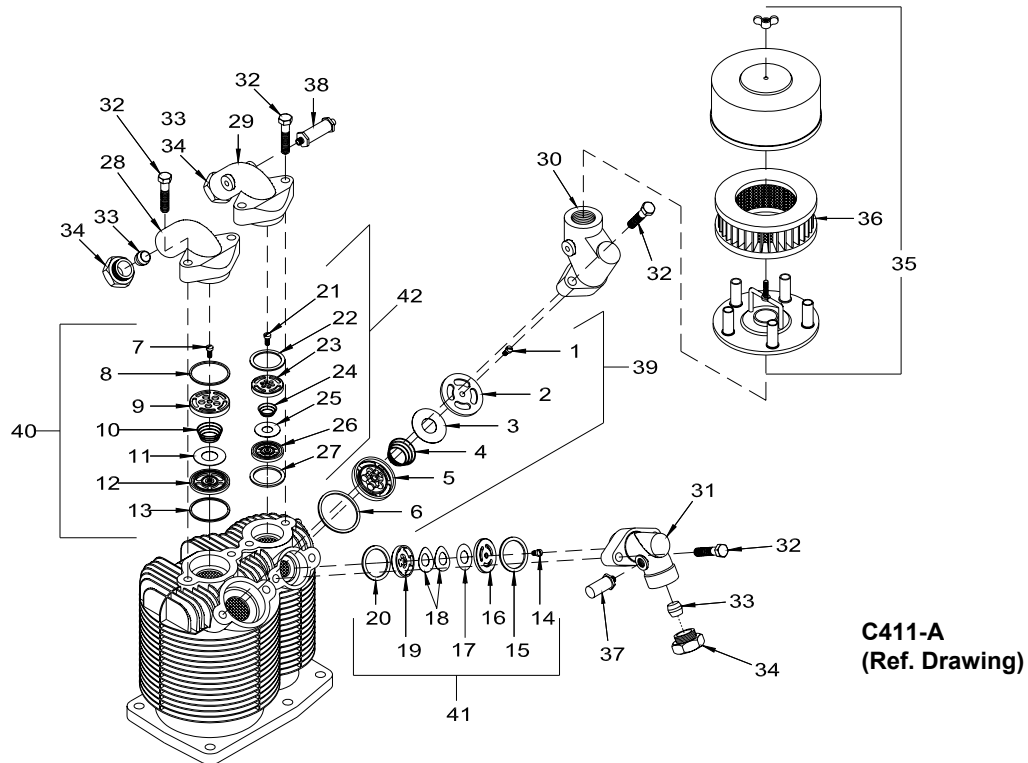
**For Replacement Parts, call 1-800-323-0620
24 hours a day - 365 days a year**

Please provide following information:

- Model number
- Serial number (if any)
- Part description and number as shown in parts list

Address parts correspondence to:

Grainger Parts Operations
P.O. Box 3074
1657 Shermer Road
Northbrook, IL 60065-3074 U.S.A.



E
N
G
L
I
S
H

**C411-A
(Ref. Drawing)**

Figure 7 — Replacement Parts Illustration for Valve Assembly & Manifolds

Replacement Parts List for Cylinder Valves and Manifold Assemblies

Ref. No.	Description	PartNo.	Qty.	Ref. No.	Description	Part No.	Qty.
1	Screw, hex head machine	P04544A	1	25	Disc, valve	RE1062	1
2	Seat, intake valve	RE1471	1	26	Seat, exhaust valve	RE757A	1
3	Disc, valve	RE1470	1	27	Gasket, valve	P04137A	1
4	Spring, valve	RE1458	1	28	Manifold, LP Exhaust	RE102E	1
5	Cage, intake valve	M2098	1	29	Manifold, HP Exhaust	P12303B	1
6	Gasket, Valve, LPIN, R10-30	CQP14832A	1	30	Manifold, LP intake	P09669C	1
7	Screw, hex head machine	M3220	1	31	Manifold, HP intake	P12302B	1
8	Gasket, valve	P04135A	1	32	Screw, hex head cap (all manifolds)	P05005A	8
9	Cage, exhaust valve	M2099	1	33	Ferrule	SE542	3
10	Spring, exhaust valve	RE1059	1	34	Nut, compression	SE541	3
11	Disc valve	RE1061	1	35	Intake filter	P04999A	1
12	Seat, exhaust valve	M2097	1	36	Filter element	P05050A	1
13	Gasket, valve	P04135A	1	37	Interstage pressure relief valve	CC1009750	1
14	Hex head machine screw	M3220	1	38	Pressure relief valve	P09704A	1
15	Gasket, Valve, HPIN, R10-30	CQP14870A	1	†39●	Valve assy. LP intake	Z812	1
16	Seat, intake valve	P14118B	1	40●	Valve assy. LP Exhaust	Z813	1
17	Disc, valve	P13865A	1	†41●	Valve assy. HP intake	Z11937	1
18	Spring, valve	P13866A	1	42●	Valve assy. HP Exhaust	Z115	1
19	Cage, intake valve	P14224B	1	●	Complete valve set w/gaskets (includes Ref. Nos. 39-42 & Z5156)	Z5155	1
20	Gasket, valve	P09171A	1		For Model 3Z180C	Z15155	
21	Screw, hex head machine	M3220	1		For Model 3Z181C	Z6795	
22	Gasket, Valve, HPEX, R10-30	CQP14869A	1	▲	Complete valve gasket set	Z5156	
23	Cage, exhaust valve	M2100	1				
24	Spring, valve	RE760	1				

(†) These parts used only on Model 3Z180C. See page 12 for parts used on Model 3Z181C.

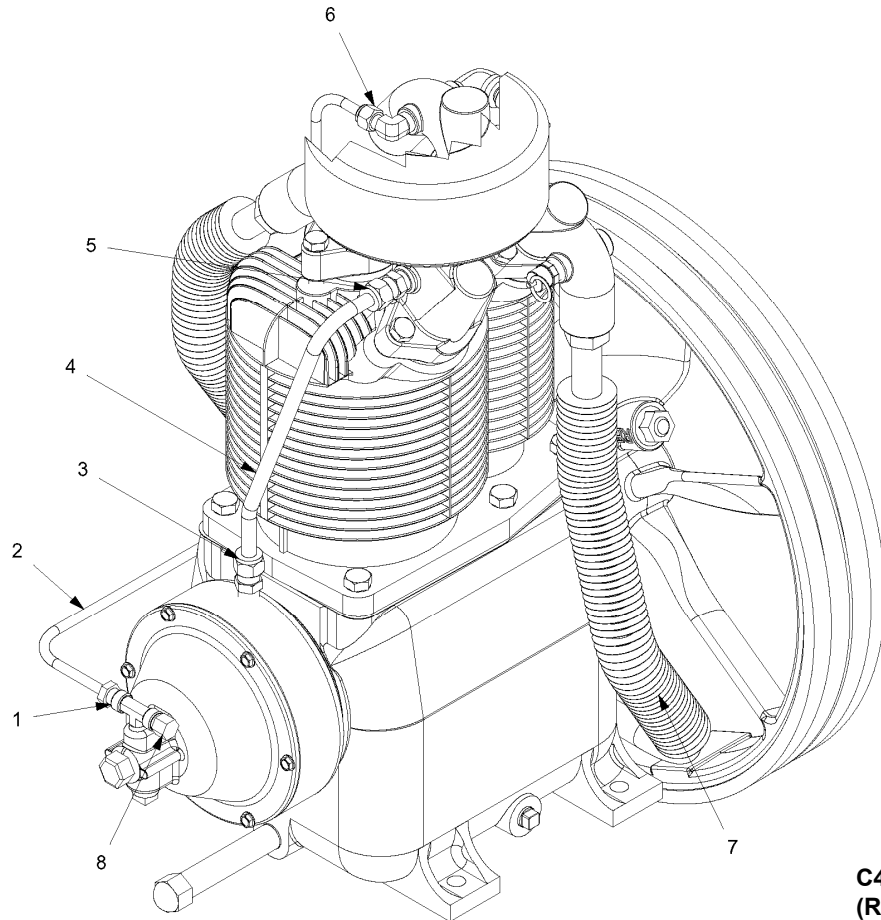
**For Replacement Parts, call 1-800-323-0620
24 hours a day - 365 days a year**

Please provide following information:

- Model number
- Serial number (if any)
- Part description and number as shown in parts list

Address parts correspondence to:

Grainger Parts Operations
P.O. Box 3074
1657 Shermer Road
Northbrook, IL 60065-3074 U.S.A.



**C420-B
(Ref. Drawing)**

Figure 8 — Replacement Parts Illustration for Tubing

Replacement Parts List for Tubing

Ref. No.	Description	Part No.	Qty
1	Compression fitting	M2879	1
2	Unloading tube w/fittings	ZSB250A	1
3	Compression fitting	M2864	1
4	Breather tube w/fittings	ZUB375	1
5	Compression fitting	M2864	1
6	Compression fitting	86A40	1
7	Intercooler tube w/fittings	Z9140	1
8	Compression nut	VP1061773	1

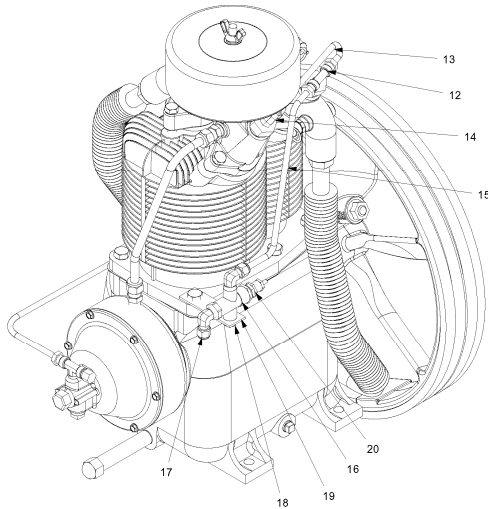
**For Replacement Parts, call 1-800-323-0620
24 hours a day - 365 days a year**

Please provide following information:

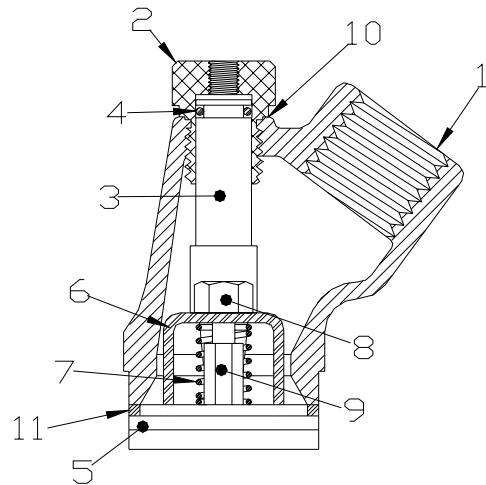
- Model number
- Serial number (if any)
- Part description and number as shown in parts list

Address parts correspondence to:

Grainger Parts Operations
P.O. Box 3074
1657 Shermer Road
Northbrook, IL 60065-3074 U.S.A.



**C421-B
(Ref. Drawing)**



**Typical Manifold
Assembly**

**C414-A
(Ref. Drawing)**

Figure 9 — Replacement Parts Illustration for Model 3Z181C

Replacement Parts List for Model 3Z181C

Ref. No.	Description	Part No.	Qty	Ref. No.	Description	Part No.	Qty
1▲	LP Intake manifold	P09670C	1	10▲	Gasket — HP only	P00746A	1
	HP Intake manifold	P12304B	1	11▲	Gasket — HP only	P09171A	1
2▲	Cylinder	P02306B	2	12▲	Compression, fitting	M2879	1
3▲	Piston	P09923A	2	13▲	Manifold tube	Z9172	1
4▲	O-ring	P02547A	2	14▲	Compression fitting	M2868	1
5▲	LP Intake valve	Z4877	1	15▲	Actuating tube	P12323A	1
	HP Intake valve	Z11938	1	16▲	Pilot valve	M2853	1
6▲	LP Claw	P09085A	1	17▲	Compression fitting	86A40	1
	HP Claw	P14119A	1	18▲	Hex head cap screw	M3465	1
7▲	LP Spring	P09084A	1	19▲	Mounting bracket	M807	1
	HP Spring	P01882A	1	20	Compression fitting	M2868	1
8▲	Hex nut	P09086A	2	▲	Head unloader kit	Z9144	1
9▲	LP Guide stem	P09083A	1				
	HP Guide stem	P09296A	1				

ENGLISH

Notes

**E
N
G
L
I
S
H**

Ruled area for taking notes, consisting of multiple horizontal lines.

Lea detenidamente este manual antes de tratar de armar, instalar, operar o mantener el producto descrito. Protéjase usted y a las otras personas respetando toda la información de seguridad. ¡El incumplimiento de las instrucciones puede dar lugar a lesiones y/o daños materiales!

Lea, entienda y conserve las instrucciones para referencia futura.

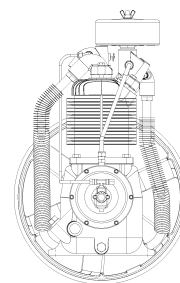
Bombas para compresores de aire Champion

Descripción

Los cabezales de compresores (bombas de aire) Champion son unidades industriales de dos etapas, para servicio pesado. Cada unidad tiene un descargador centrífugo para el arranque sin carga, cigüeñal de hierro maleable equilibrado, cojinetes de rodillos cónicos y cilindros de aluminio troquelados con camisas de hierro colado. Los cabezales de compresor también tienen válvulas del tipo de disco de acero sueco, radiador intermedio aleteado, sistema de lubricación por salpicadura, indicador visual de nivel de aceite y volante balanceada de tipo ventilador (gira hacia la izquierda cuando se mira desde frente a la volante).

El Modelo 3Z180C utiliza control de interruptor de presión para aplicaciones de trabajo intermitente (operaciones de arranque-parada).

El Modelo 3Z181C utiliza control de velocidad constante para aplicaciones de trabajo continuo.



C417-B
(Dibujo de Referencia)

Figura 1 – Cabezal de compresor (bomba de aire)

Especificaciones

Diámetro del cilindro y carrera del pistón	117 y 64 x 76 mm
Número de cilindros.....	2
m ³ por min./rev.....	0.0083.m ³ /min./rev.
Capacidad de aceite.....	2.1 litros
Peso	49.5 kg.
Presión máxima.....	12 bar
Velocidad mín. de operación ...	400 RPM
Velocidad máx. de operación ...	1050 RPM



PELIGRO No se debe utilizar este compresor recíprocante para aire de respiración. El hacerlo causará lesiones graves, sea que se suministre el aire directamente desde la fuente del compresor o a tanques de respiración para uso posterior. El fabricante rechazará cualquier y toda responsabilidad por daños o pérdidas a causa de lesiones, muerte y daños materiales resultantes de usar este compresor para suministrar aire de respiración.

Cuadro de medidas

Clave	Descripción	Medida
A	Ancho de la base	254 mm
B	Perno de anclaje a centro	111 mm
C	Perno de anclaje a borde	16 mm
D	Base a centro de cigüeñal	140 mm
E	Ancho total	457 mm
F	Altura total	591 mm
I	Diámetro de agujero para perno de anclaje	12 mm
J	Profundidad de la base	191 mm
K	Distancia entre pernos de anclaje	146 mm
L	Perno de anclaje a borde	22 mm
M	Perno de anclaje a volante (máx.)	92 mm
N	Ancho de la volante	63.5 mm
O	Diámetro de eje del cigüeñal	53.3 mm
P	Diámetro de la volante	419 mm
Q	Ranuras de la volante	2 VB
R	Profundidad total	508 mm

ESPAÑOL

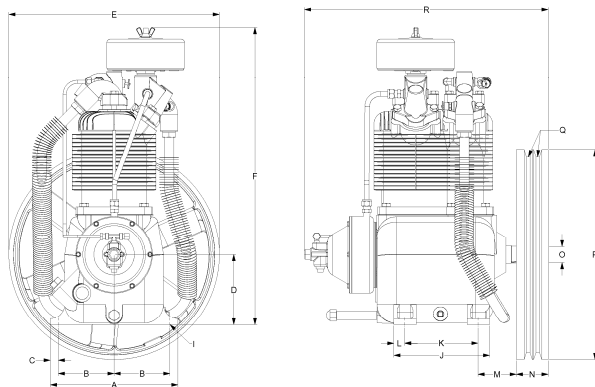


Figura 2

C416-B
(Dibujo de Referencia)

NOTA: La rotación de la volante es hacia la derecha cuando se mira desde el frente de la volante hacia atrás.

Bombas para compresores de aire Champion

bar	2.2 Kw				3.7Kw			
	Desplaz. m ³ min.	Aire libre m ³ min.	RPM de la bomba	Polea del Motor 1725 *	Desplaz. m ³ min.	Aire libre m ³ min.	RPM de la bomba	Polea del Motor 1725 *
6.9	0.44	0.36	530	127 mm	0.70	0.59	855	208 mm
8.6	0.40	0.31	485	117 mm	0.66	0.54	805	196 mm
10.3	0.38	0.29	460	112 mm	0.63	0.50	760	185 mm
12.0	0.37	0.27	440	107 mm	0.59	0.47	710	173 mm

(*) La velocidad recomendada del motor es de 1725 RPM. Los tamaño de polea y cifras de redimiento se basan en una velocidad del motor de 1725 RPM. La volante tiene dos ranras para correas de sección "B".

⚠️ ADVERTENCIA

El uso de este compresor como bomba reforzadora y/o para comprimir un medio distinto del aire atmosférico no es aprobado en absoluto y puede producir daños al equipo y/o lesiones personales. Los usos no aprobados también anularán la garantía.

Información general de seguridad

Debido a que un compresor de aire es una máquina que tiene piezas en movimiento y que giran, se deben observar las mismas precauciones que con cualquier otra máquina de este tipo donde el descuido en la operación o el mantenimiento es peligroso para el personal. Además de las muchas reglas de seguridad evidentes que se deben seguir con este tipo de maquinaria, se deben observar también las precauciones de seguridad adicionales indicadas a continuación:

1. Lea la totalidad de las instrucciones antes de hacer funcionar el compresor de aire o la unidad.
2. Para la instalación, observe todos los códigos eléctricos y de seguridad locales, así como el Código Eléctrico Nacional (NEC) y la Ley de Seguridad y Salud Ocupacional (OSHA) de los Estados Unidos.
3. Los motores eléctricos deben tener una conexión a tierra segura y adecuada. Se logra esto cableando con un sistema de conductos metalizados

conectados a tierra, usando un alambre de tierra separado, conectado al metal desnudo del bastidor del motor, o por otros medios adecuados.

4. Proteja el cable de suministro contra objetos afilados. No doble el cable de suministro y nunca permita que éste entre en contacto con aceite, grasa, superficies calientes o sustancias químicas.
5. Cerciórese de que la fuente de alimentación cumpla con los requisitos de su equipo.
6. Abra el interruptor de desconexión principal y desconecte todas las líneas de control separadas, si las hay, antes de intentar trabajar o realizar mantenimiento en el compresor de aire o la unidad. Ponga una etiqueta de advertencia o bloquee la fuente de energía.
7. No trate de quitar ninguna pieza del compresor sin antes descargar la presión de la totalidad del sistema.
8. No trate de reparar ninguna pieza mientras la máquina se encuentre funcionando.
9. No opere el compresor a presiones mayores que su capacidad nominal.
10. No opere el compresor a velocidades mayores que su velocidad nominal.
11. Revise periódicamente el funcionamiento correcto de todos los dispositivos de seguridad. No cambie el ajuste de presión ni restrinja la operación de ninguna forma.

12. Cerciórese de que no se hayan dejado herramientas, trapos ni piezas sueltas sobre el compresor o las piezas impulsoras.
13. No utilice solventes inflamables para limpiar el filtro o elemento de entrada de aire y otras piezas.
14. Realice el mantenimiento y la reparación en condiciones de buena limpieza. Mantenga la suciedad alejada de las piezas cubriendo las mismas y las aberturas expuestas con trapos limpios o papel kraft.
15. No opere el compresor sin que las guardas, los protectores y las mallas estén en su sitio.
16. No instale una válvula de paso en la línea de descarga, salvo que exista una válvula limitadora de presión de diseño y tamaño correctos en la línea entre el compresor y la válvula de paso.
17. No opere el compresor en áreas donde exista la posibilidad de ingerir gases inflamables o tóxicos.
18. Tenga cuidado al tocar la parte exterior de un motor que haya estado funcionando recientemente, puede estar tan caliente como para causar dolor o lesión. Esta condición es normal en los motores modernos si se opera a la capacidad nominal; los motores modernos son fabricados para funcionar a temperaturas más altas.

Modelos 3Z180C y 3Z181C

Información general de seguridad (continuación)

19. Inspeccione diariamente la unidad para observar y corregir cualquier condición de operación insegura que se encuentre.
20. No "juegue" con el aire comprimido, ya que puede causar lesiones.
21. No se debe utilizar bajo ninguna circunstancia el aire comprimido de esta máquina para el procesado de alimentos o aire de respiración sin tener los filtros, purificadores y controles adecuados después del compresor.
22. Siempre utilice un regulador de presión de aire en el punto de uso.
23. Revise las mangueras por condiciones de debilidad o desgaste antes de cada uso y cerciórese de que todas las conexiones estén bien aseguradas.
24. Siempre lleve puestas gafas de seguridad al usar una pistola de aire comprimido.

Se advierte al usuario de todo equipo compresor de aire fabricado por Champion que el no seguir las Precauciones de seguridad y operación precedentes, puede dar lugar a lesiones personales o daños al equipo. Sin embargo, Champion no afirma como hecho ni implica que la lista precedente de Precauciones de seguridad y operación es completa, ni que la observancia de esta lista evitará todas las lesiones personales o daños al equipo.

EXPLICACIÓN DE LOS SÍMBOLOS Y CALCOMANÍAS DE INSTRUCCIONES DE SEGURIDAD

▲ PELIGRO La palabra "PELIGRO" indica riesgos inmediatos que causarán lesiones graves o la muerte.

▲ ADVERTENCIA La palabra "ADVERTENCIA" indica riesgos o prácticas inseguras que pueden causar lesiones graves o la muerte.

▲ CUIDADO La palabra "CUIDADO" indica riesgos o prácticas inseguras que pueden causar daños al compresor o lesión leve.

Instalación

1. Un compresor de montaje permanente debe ubicarse en una sala seca, limpia y con buena ventilación para que el compresor reciba un suministro adecuado de aire seco, fresco y limpio. Se recomienda que un compresor utilizado para pintar se ubique en una sala separada del área donde se realiza el lijado y pintado. El hallazgo de partículas abrasivas o de pintura que hayan obstruido los filtros y válvulas de entrada anularán automáticamente la garantía.
2. Nunca se deben ubicar los compresores demasiado cerca de una pared u otra obstrucción que impida el flujo de aire a través de la volante con paletas, que enfría el compresor. Las unidades de montaje permanente deben tener la volante a una distancia mínima de 305 mm de la pared.
3. Si se está instalando una bomba de trasegar, cerciórese de que el sistema tenga controles limitadores de presión adecuados. Los controles pueden ser un disyuntor neumático para operación de arranque/parada o una válvula piloto para operación conti-nua. Si se utiliza una válvula piloto, el compresor debe estar equipado con descargadores de cabezal.
4. En la tubería de descarga se debe instalar una válvula de retención de aire del tamaño apropiado, entre la salida del compresor y la entrada de cualquier tanque(s) receptor(es) de aire en el sistema.

▲ PELIGRO No instale válvulas de seccionamiento entre la salida del compresor y el depósito de aire comprimido. Esto causará presión excesiva si se cierra la válvula y causará lesión personal y daño al equipo.

▲ ADVERTENCIA Siempre utilice un dispositivo regulador de la presión de aire en el punto de uso. El no hacerlo puede dar lugar a lesión personal o daño al equipo.

▲ CUIDADO No instale en un área donde la temperatura ambiente sea menor de 0° C ni mayor de 38° C.

No instale la unidad en un área donde el aire esté sucio y/o cargado de sustancias químicas. La unidad no se debe instalar al aire libre.

GENERAL

1. Seleccione la potencia del motor y velocidad del compresor correctas consultando la sección de rendimiento.
2. No acelere demasiado el compresor. Esto reducirá considerablemente la duración de la bomba y puede sobrecargar el motor eléctrico.
3. Compruebe que la rotación del compresor sea hacia la izquierda cuando se mira frente a la volante.
4. Todas las partes móviles deben tener protección. Antes de hacer funcionar la unidad se debe instalar un protector de correas.
5. Haga funcionar el compresor en un área bien ventilada y limpia.
6. Instale el compresor a una distancia mínima de 305 mm de las paredes cercanas. Esto asegurará un flujo de aire sin obstrucciones para enfriar el compresor.
7. Cerciórese de que se haya añadido el aceite recomendado al cárter del compresor. Véase Lubricación en la sección "Mantenimiento".
8. Este compresor se diseñó para un ciclo de servicio de 80%/ON, el 20%/OFF.

Bombas para compresores de aire Champion

Preparación para el arranque inicial y la operación

1. Abra el interruptor de desconexión principal para desactivarlo y asegúrese de que no ingrese energía a la unidad.
2. Revise el cárter del compresor para comprobar que se ha añadido aceite.
3. Inspeccione la unidad por cualquier señal visible de daño que pudiera haber ocurrido durante el transporte o la instalación.
4. Active el interruptor de desconexión principal.
5. Impulse suavemente el motor y compruebe que la rotación sea en la dirección . Si la rotación no es la correcta invierta las conexiones de entrada en el arrancador magnético (sólo unidades trifásicas).
6. Cierre la válvula manual de la salida del depósito de aire comprimido y arranque la unidad.
7. Con la válvula manual del depósito de aire comprimido cerrada, deje que la máquina bombee hasta la presión de operación. En este punto, los controles automáticos asumirán el control de la operación. Compruebe que la operación ciclica se correcta.
8. Revise el funcionamiento correcto de las opciones, por ejemplo, LOSC o descargadores de cabezal con válvula piloto. Consulte la hoja de instrucciones de la opción individual.
9. Cuando el periodo de marcha inicial no muestre ningún problema de operación, apague la unidad y vuelva a revisar el nivel de aceite.
10. Abra la válvula manual del depósito de aire comprimido. Ahora se puede usar el compresor.

IMPORTANTE: Este compresor tiene una presión máxima de operación de 12 bar. No modifique los ajustes de presión en los componentes de control por encima de este límite.

DESCARGA DE VELOCIDAD CONSTANTE Y VÁLVULA PILOTO (SÓLO MODELO 3Z181C)

Este compresor está equipado con descargadores de válvula de impulsión. La válvula piloto está diseñada para actuar como un disyuntor neumático automático de “encendido” y “apagado”. Cuando se encuentra en la posición “encendido”, permite que el aire fluya del tanque, a través de la válvula, hacia algún dispositivo tal como un mecanismo descargador de cabezal compresor, accionándolo de esta manera. Cuando está en la posición “apagado”, esta válvula detiene el flujo de aire a través de la válvula, y descarga la presión en la línea que va al dispositivo.

La válvula piloto funciona de la manera siguiente: La presión de aire del tanque actúa sobre la parte inferior de la válvula. Cuando la presión es lo suficientemente alta para vencer la fuerza del resorte que sostiene la válvula en el asiento inferior, la levanta del asiento y deja pasar el aire alrededor de la válvula y hacia afuera por la abertura lateral en la válvula piloto. Cuando la válvula se separa del asiento inferior sube y se asienta en el asiento superior, donde es retenida por la presión de aire del tanque. Cuando disminuye la presión en el tanque y sobre la válvula, la fuerza del resorte vuelve la válvula al asiento inferior. El aire en la línea que va al dispositivo que se está accionando puede escapar entonces por el asiento superior y salir por el agujero de ventilación. La presión a la que la válvula piloto cambia de “encendido” a “apagado” es controlada por el resorte, el cual ha sido instalado en la fábrica. Se pueden realizar ajustes mínimos en el lugar cambiando la fuerza del resorte comprimiéndolo más o menos con el tornillo regulador provisto en la válvula piloto.

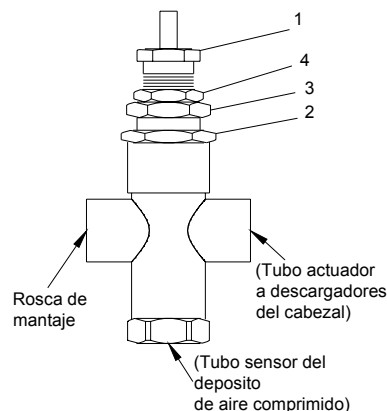


Figura 3 – Ajuste de las válvula piloto. B980-B (Dibujo de Referencial)

AJUSTE DE LA PRESIÓN EN LA VÁLVULA PILOTO DEL COMPRESOR

Véase la Figura 3.

Siga las siguientes instrucciones mientras el compresor esté funcionando:

1. Afloje la contratuerca (4) y retroceda varias vueltas. No gire el ajustador del diferencial (3).
2. Revise la lectura en el manómetro del tanque. Fije el compresor a una presión máxima de 1.7 bar. Gire el tapón roscado (1) hacia la derecha para aumentar la presión, o hacia la izquierda para disminuir la presión diferencial.
3. Después de fijar la presión, apriete la contratuerca (2). Tenga cuidado de no mover el tapón roscado (1).

ADJUSTE DE LA PRESIÓN DIFERENCIAL DE LA VÁLVULA PILOTO DEL COMPRESOR

Siga las siguientes instrucciones mientras el compresor esté funcionando:

1. Afloje la contratuerca (2) y retroceda varias vueltas.
2. Revise la lectura en el manómetro del tanque. Fije la presión diferencial a 2 bar (descarga a 11.7 bar y recarga a 9.7 bar). Gire el tapón roscado (3) hacia la derecha para aumentar la presión diferencial o hacia la izquierda para disminuirla.
3. Después de fijar la presión, apriete la contratuerca (2). Tenga cuidado de no mover el tapón roscado (3)..

Modelos 3Z180C y 3Z181C

VÁLVULAS PILOTO

No. de pieza del conjunto	Intervalo de presión, bar
M2855	5.0-6.5
M2854	6.2-8.3
M2853	9.7-11.7

Mantenimiento

Para obtener un servicio confiable y satisfactorio, se debe realizar un programa de mantenimiento preventivo constante en esta unidad.

⚠️ ADVERTENCIA Antes de realizar cualquier función de mantenimiento, ponga el interruptor de desconexión principal en la posición “apagado”, para asegurar que no entre ningún suministro de energía a la unidad. Bloquee todas las fuentes de energía o ponga rótulos en las mismas. Cerciórese de que se haya descargado toda la presión del aire en la unidad. El no hacerlo puede dar lugar a lesiones personales o daño al equipo.

MANTENIMIENTO DIARIO

1. **Revise el nivel de aceite del compresor.** Añada aceite lubricante de buena calidad, según sea necesario. Véase la sección sobre “Especificaciones de aceite del compresor”.
2. **Drene la humedad** del tanque abriendo el grifo de drenaje ubicado en la parte inferior del tanque. No abra la válvula de drenaje si la presión del tanque es mayor de 1.7 bar.
3. Apague el compresor al final de cada día de operación. Desconecte el suministro de energía en el interruptor de pared.

MANTENIMIENTO SEMANAL

1. Limpie el polvo y las materias extrañas del cabezal del cilindro, del motor, de las paletas del ventilador, de las líneas de aire, del radiador intermedio y del tanque.
2. Quite y limpie los filtros de aire de entrada.

⚠️ ADVERTENCIA Al limpiar las piezas con aire comprimido la presión no debe ser mayor de 1 bar en la boquilla. No dirija aire comprimido contra la piel, se podrían producir lesiones graves. Nunca lave los elementos en aceite combustible, gasolina ni solventes inflamables.

3. Revise la tensión de las correas en V. Estas correas deben estar lo suficientemente apretadas para transmitir la potencia necesaria al compresor. Ajuste las correas en V de la manera siguiente:
 - a. Quite los pernos y el protector para llegar al impulsor del compresor.
 - b. Afloje los accesorios de montaje que aseguran el motor a la base. Deslice el motor dentro de las ranuras en la placa de base hacia la posición deseada.
 - c. Aplique presión con un dedo a una correa en el punto medio del tramo. La tensión es la correcta si la parte superior de la correa queda alineada con la parte inferior de la correa adyacente. Haga más ajustes si es necesario.
 - d. Revise la alineación de las poleas. Ajústelas si es necesario.
 - e. Apriete los accesorios de montaje para fijar el motor en la base.
 - f. Vuelva a instalar el protector y asegúrelo con los pernos.

⚠️ ADVERTENCIA Nunca opere la unidad sin el protector de correas en su sitio. Su retiro dejará expuestas las piezas giratorias, lo cual puede causar lesiones perso-nales o daños al equipo.

MANTENIMIENTO CADA 90 DÍAS O 500 HORAS

1. Cambie el aceite del cárter. Use aceite del tipo y grado especificado en la sección “Especificaciones de aceite del compresor”.
2. Revise todo el sistema en busca de fugas alrededor de los adaptadores, conexiones y empaquetaduras usando una solución de agua y jabón y un cepillo.
3. Apriete las tuercas y tornillos según sea necesario.
4. Revise y limpie las válvulas del compresor, cambie las válvulas si están desgastadas o dañadas.

⚠️ CUIDADO Se debe volver a poner las válvulas en su posición original. Se deben cambiar las empaquetaduras de válvula cada vez que se haga servicio a las válvulas.

NOTAS GENERALES DE MANTENIMIENTO CORREAS

Las correas de transmisión deben mantener suficiente tensión para impedir su resbalamiento. Si las correas resbalan o chillan, consulte el mantenimiento de las correas en V en la sección anterior.

⚠️ CUIDADO Si las correas están demasiado tensas, se someterá a sobrecarga al motor y sus cojinetes.

Bombas para compresores de aire Champion

Mantenimiento (continuación)

VÁLVULAS DEL COMPRESOR

Si el compresor no puede bombear aire o parece que llena lentamente el tanque, desconecte la unidad de la fuente de energía, quite las válvulas y límpielas muy bien usando aire comprimido o un cepillo de alambre suave. Después de la limpieza se debe tener sumo cuidado para que todas las piezas se vuelvan a colocar exactamente en la misma posición y que todas las uniones estén apretadas, de lo contrario el compresor no funcionará correctamente. Una vez que se hayan vuelto a colocar todas las válvulas y las conexiones estén apretadas, cierre la válvula manual en la salida del tanque para la prueba final. Se deben reemplazar las empaquetaduras de válvula cada vez que se retiren los juegos de válvula de la bomba.

DESCARGADOR CENTRÍFUGO Y VÁLVULA LIMITADORA DE PRESIÓN

El descargador centrífugo es accionado por dos pesos del regulador. Es totalmente hermético y se lubrica desde el cárter del compresor. Al arrancar el compresor, automáticamente se abren los pesos del regulador comprimiendo el resorte principal y permitiendo que cierre la válvula de seguridad del descargador.

Cuando el compresor se detiene, el resorte principal vuelve los pesos del regulador a su posición normal, abriendo la válvula de seguridad del descargador y descargando el compresor.

Esto impide la sobrecarga del motor al arrancarlo. Si continúa escapando aire por el regulador o la válvula limitadora de presión del descargador mientras el compresor está funcionando, es una indicación de que la válvula de seguridad no cierra herméticamente y podría quedar abierta a causa de alguna materia extraña alojada en el asiento. Para corregir esta situación, quite la tapa de la válvula de seguridad del regulador, dando acceso al resorte y la bola de la válvula de seguridad. Limpie muy bien y vuelva las piezas a su sitio en el mismo orden en que las quitó. Las correas de transmisión flojas también pueden ocasionar fugas en el descargador al impedir que el compresor alcance la velocidad correcta. (Véase "CORREAS" en párrafos anteriores.)

LA VÁLVULA LIMITADORA DE PRESIÓN ENTRE ETAPAS

se incluye en el equipo para protegerlo contra las sobrepresiones entre etapas y se regula en la fábrica para una presión máxima de 5 bar.

IMPORTANTE: No reajuste la válvula limitadora de presión entre etapas

Si la válvula de seguridad entre etapas salta, esto indica que hay un problema. Apague la unidad de inmediato y determine y corrija el desperfecto. Inspeccione las válvulas del cabezal. Si no se corrige el problema, se pueden producir daños graves y causar la destrucción total de la unidad. Si se altera la válvula limitadora de presión entre etapas, o se tapona la abertura, se destruye la protección provista y se anula la garantía.

LUBRICACIÓN DEL COMPRESOR

Llene el cárter hasta el nivel correcto como se indica en el indicador visual de aceite. Mantenga el cárter al nivel correcto, tal como lo requiera el uso.

ESPECIFICACIONES DEL ACEITE PARA COMPRESOR COMPRESOR DE AIRE

Los compresores se llene en la fábrica con hidrocarburo basado en lubricante CHAMPLUB alter. Este es un lubricante industrial con certificación ISO 100, sin detergente, anticorrosivo y antioxidante, formulado especialmente para compresores alternativos. Se recomienda este compresor se mantenga usando este aceite para las temperatura ambiente mayor de 0°C.

El CHAMPLUB synthetic es un lubricante sintético con base de diéster de calidad superior que proporciona un excelente rendimiento en aplicaciones de altas temperaturas.

⚠ CUIDADO

No mezcle diferentes marcas, densidades, ni tipos de aceite.

⚠ PRECAUCION

No mezcle diferentes marcas, densidades ni tipos de aceite.

⚠ PRECAUCION

La emulsificación del aceite (sustancia blanca lechosa) indica la acumulación insegura de humedad y puede ser la evidencia de que el compresor está sobredimensionado para la aplicación. No consultar rápidamente a su distribuidor local o al Servicio al Cliente de Champion puede dar pie a negar la garantía.

NOTAS:

1. El tiempo normal de aclimatación de los compresores de aire Champion es de 25 horas.
2. Durante las primeras 100 horas de operación del compresor, se deberá realizar una verificación metódica y a intervalos requeridos del nivel de aceite. Mantenga el nivel de aceite a ras con la línea de llenado.

COMO CAMBIAR A LUBRICANTE SINTETICO

(Aplica únicamente al lubricante sintético, basado en diéster).

Si cambia al lubricante sintético, deberá relizar los pasos a continuación:

1. El compresor deberá funcionar durante un periodo de aclimatación de 25 horas usando el aceite ChampLub ISO 100.
2. Drene todo el aceite existente en el carter.
3. Llène el carter con una carga completa de lubricante sintético.
4. Haga funcionar el compresor durante 200 horas.
5. Detenga el compresor y drene completamente el lubricante sintético.
6. Añada una carga completa de lubricante sintético.
7. El compresor ya está listo para funcionar durante un largo periodo de tiempo antes del siguiente cambio de lubricante.

LUBRICANTE

DESCRIPCION	NUMERO DE PARTE
1 Envase de 1 Carto de Galón ChampLub Lubricante Mineral	P13796A
1 Envase de 1 Carto de Galón ChampLub Sintético	P13929A

Modelos 3Z180C y 3Z181C

Cuadro de localización y reparación de fallas

Problema del compresor Causa posible — Nos. de ref. (Véase a continuación)

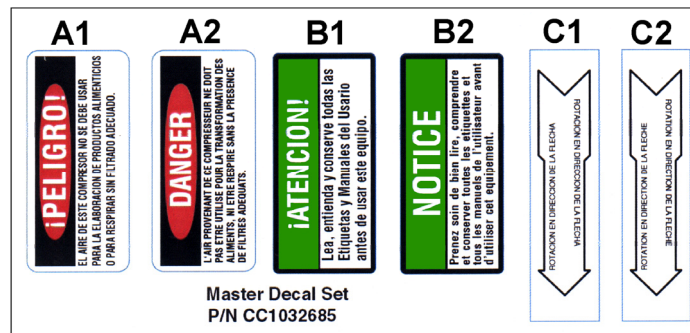
NOTA: Este es un cuadro general, algunos elementos podrían no ser aplicables a su compresor específico.

Bombee una cantidad excesiva de aceite.....	1, 7, 9, 11, 22, 23, 27
Golpea, cascabelea, vibra excesivamente.....	2, 17, 18, 19, 20, 21, 23, 26
Ha disminuido la entrega de aire.....	1, 5, 18, 22, 23
Presión de descarga baja.....	1, 5, 6, 17, 18, 22, 23
Dispara el dispositivo de sobrecarga del motor o consume excesiva corriente.....	8, 13, 14, 15, 18, 20, 21, 23
Agua en el cárter u oxidación en los cilindros.....	11, 12
La máquina no descarga (control de velocidad constante).....	1, 16
Ciclos excesivos de carga/descarga.....	3, 5, 6
El compresor no descarga cuando se para.....	19
El compresor no alcanza la velocidad normal.....	13, 16
La bomba funciona en la dirección incorrecta.....	24
Desgaste anormal del pistón, anillo o cilindro.....	4, 7, 10, 11, 25
El compresor continúa descargando.....	19, 28
Está descargando la válvula limitadora de presión.....	18, 29, 30

No. de ref.	Causas posibles	No. de ref.	Acción correctiva
1.	Filtro de entrada obstruido	1.	Limpiar o cambiar
2.	Volante o polea del motor flojas	2.	Apretar
3.	Exceso de condensado en el depósito de comprimido aire	3.	Drenar con más frecuencia
4.	Aire a la volante bloqueado	4.	Limpiar la unidad o reubicar en área ventilada
5.	Fugas de aire en la tubería (en la máquina o en el sistema exterior)	5.	Cambiar los componentes con fugas o apretar según sea necesario
6.	Fuga en la válvula de retención del depósito de aire comprimido	6.	Cambiar o reparar según sea necesario
7.	Viscosidad del aceite demasiado baja	7.	Usar el aceite correcto
8.	Viscosidad del aceite demasiado alta	8.	Usar el aceite correcto
9.	Nivel de aceite demasiado alto	9.	Drenar el exceso
10.	Nivel de aceite demasiado bajo	10.	Llenar la cantidad correcta
11.	Se está usando aceite tipo detergente	11.	Vaciar el aceite y llenar con el aceite correcto
12.	Trabajo demasiado ligero o ubicado en un lugar mojado y húmedo	12.	Hacer funcionar la unidad periódicamente, incluso si no está en uso. Cambiar la ubicación a un ambiente más seco.
13.	Contactos deficientes, calentadores del arrancador Incorrectos, voltaje de línea incorrecto	13.	Revisar las conexiones y los calentadores del arrancador
14.	Regulación de potencia deficiente (línea desequilibrada, motores trifásicos)	14.	Consultar con la compañía eléctrica
15.	Correas en V demasiado tensas	15.	Aflojar hasta la tensión correcta
16.	Mecanismo de descarga defectuoso	16.	Cambiar o reparar según sea necesario
17.	Carbón en la parte superior del pistón	17.	Limpiar
18.	Válvulas con fugas, rotas, carbonizadas o flojas, o paso de aire restringido	18.	Limpiar o cambiar
19.	Descargador centrífugo defectuoso	19.	Cambiar o reparar según sea necesario
20.	Pasador de biela o manguito del muñón de cigüeñal desgastados o rayados	20.	Reparar o cambiar
21.	Cojinete defectuoso en el cigüeñal o en el eje del motor	21.	Cambiar
22.	Anillos de pistón rotos o que no asientan bien, aberturas de extremo no escalonadas, atascado en ranuras, abertura de extremo tosca, arañada o excesiva	22.	Cambiar
23.	Cilindros o pistones arañados, desgastados o rayados	23.	Cambiar o reparar según sea necesario
24.	Conexión incorrecta del motor trifásico	24.	Intercambiar las conexiones al arrancador
25.	Atmósfera con mucho polvo	25.	Limpiar el filtro con más frecuencia o usar un filtro más efectivo
26.	Pernos flojos, tanque no nivelado, compresor funciona demasiado rápido	26.	Apretar los pernos, poner calzos al tanque para nivelarlo, disminuir la velocidad de la unidad cambiando las poleas o desacelerando el motor a gasolina
27.	Funcionando excesivamente sin carga	27.	Cambiar el control a arranque-parada o apagar la unidad cuando no esté en uso durante períodos prolongados
28.	Válvula piloto defectuosa	28.	Cambiar
29.	El descargador de cabez al se pega	29.	Revisar y reparar si es necesario
30.	Descarga bloqueada	30.	Revisar las tuberías en busca de obstrucción

Bombas para compresores de aire Champion

Lista de calcomanías y etiquetas de peligro



PUMP HAZARD DECAL LISTING

DESCRIPTION	PART NO.
PUMP DECAL SHEET – MASTER	CC1032685
Calcomanía – Peligro, filtrado adecuado	A1
NOT USED	A2
Calcomanía – Conservar los rótulos	B1
NOT USED	B2
Calcomanía – Dirección de rotación	C1
NOT USED	C2

Garantía limitada

Garantía limitada de un año de Champion. Champion garantiza al usuario original de las bombas compresoras de aire Champion®, contra defectos de mano de obra o materiales bajo condiciones de uso normal durante un año a partir de la fecha de compra. Cualquier pieza que presente defectos en material o mano de obra y que se devuelva a un centro de servicio autorizado, según lo designe Champion, con porte prepagado, será, como única solución, reparada o reemplazada a la opción de Champion. Para informarse sobre los procedimientos de reclamo de garantía limitada, consulte el apartado “DISPOSICIÓN RÁPIDA” más adelante. Esta garantía limitada otorga a los compradores derechos legales específicos que varían entre jurisdicciones.

Limitación de la responsabilidad. En la medida de lo que permita la ley aplicable, Champion rechaza expresamente toda responsabilidad por daños emergentes o incidentales. En todos los casos, la responsabilidad de Champion quedará limitada al precio de compra pagado y no deberá exceder del mismo.

DECLINACIÓN DE RESPONSABILIDAD DE GARANTÍA. CHAMPION HA REALIZADO UN ESFUERZO DILIGENTE PARA ILUSTRAR Y DESCRIBIR CON PRECISIÓN EL PRODUCTO EN ESTOS FOLLETOS; SIN EMBARGO, TALES ILUSTRACIONES Y DESCRIPCIONES TIENEN EL ÚNICO PROPÓSITO DE IDENTIFICACIÓN, Y NO EXPRESAN NI IMPLICAN NINGUNA GARANTÍA DE COMERCIABILIDAD DEL PRODUCTO, O DE QUE SEA APTO PARA UN PROPÓSITO PARTICULAR, O DE QUE EL PRODUCTO SE AJUSTARÁ NECESARIAMENTE A LAS ILUSTRACIONES O DESCRIPCIONES. SALVO LO INDICADO A CONTINUACIÓN, CHAMPION NO OFRECE NI AUTORIZA NINGUNA GARANTÍA NI AFIRMACIÓN DE HECHO, EXPRESA O IMPLÍCITA, QUE NO SEA LA ESTABLECIDA EN LA “GARANTÍA LIMITADA” ANTERIOR.

Aptitud del producto. Muchas jurisdicciones tienen códigos y reglamentos que gobiernan las ventas, la construcción, la instalación y/o el uso de los productos para ciertos propósitos, que pueden variar con respecto a los de las áreas vecinas. Aunque Champion trata de asegurar que sus productos cumplan con tales códigos, no puede garantizar su cumplimiento y no puede ser responsable por la forma en que se instale o utilice el producto. Antes de comprar y usar un producto, revise por favor la aplicación del mismo, y los códigos y reglamentos nacionales y locales, y cerciórese de que la instalación y el uso del producto cumplan con ellos.

Determinados aspectos de las renuncias no son aplicables a productos del cliente; por ejemplo, (a) algunas jurisdicciones no permiten la exclusión o limitación de daños incidentales o emergentes, de manera que la limitación o exclusión anterior podría no ser aplicable en su caso; (b) asimismo, algunas jurisdicciones, no permiten la limitación de la duración de una garantía implícita, en consecuencia, la limitación anterior podría no ser aplicable en su caso; y (c) por ley, durante el período de esta garantía limitada, cualquier garantía implícita de comerciabilidad o aptitud para un propósito particular aplicable a productos del cliente comprados por los clientes, podría no ser excluida o de otro modo rechazada.

Disposición rápida. Champion realizará un esfuerzo de buena fe para la corrección rápida u otro ajuste necesario con respecto a cualquier producto que se determine defectuoso dentro del período de la garantía limitada. En el caso de cualquier producto que se crea defectuoso dentro del período de la garantía limitada, primero escriba o llame al distribuidor donde adquirió el producto. El distribuidor le suministrará indicaciones adicionales. En caso de no obtener una solución satisfactoria, escriba a W.W. Grainger, Inc. a la dirección indicada más adelante, proporcionando el nombre y la dirección del distribuidor, y el número y la fecha de la factura del distribuidor, describiendo la naturaleza del defecto. El título de propiedad y el riesgo de pérdida pasan al comprador en el momento de la entrega al transportista. Si el producto fue dañado en tránsito, presente el reclamo al transportista.

Fabricado para W.W. Grainger, Inc., 5959 W. Howard St., Niles, Illinois 60714, EE.UU.

Para obtener repuestos llame en México al teléfono 95-800-527-2331 y en EE.UU. al teléfono 1-800-323-0620

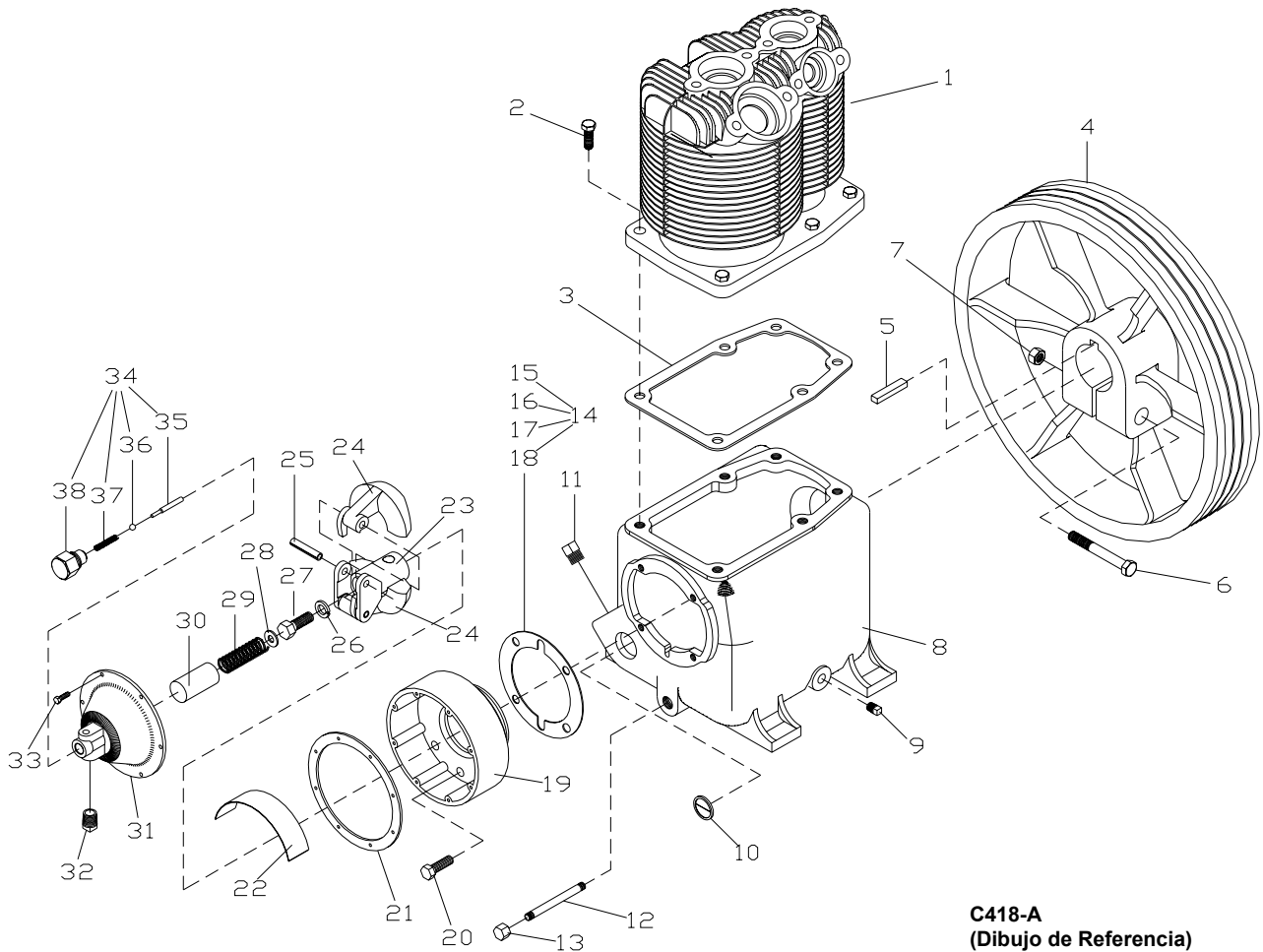
Servicio permanente, las 24 horas del día, 365 días al año

Sírvase proporcionar la siguiente información:

- Número del modelo
- Número de serie (si lo tiene)
- Descripción y número de la pieza según se muestra en la lista de piezas

Envíe correspondencia relacionada con pedidos de piezas a:

Grainger Parts Operations
P.O. Box 3074
1657 Shermer Road
Northbrook, IL 60065-3074, EE.UU.



E
S
P
A
Ñ
O
L

Figura 5 — Ilustración de piezas de repuesto para cigüeñal, cilindros y conjunto de descargador centrífugo

Bombas para compresores de aire Champion

Lista de piezas de repuesto para el conjunto de cigüeñal y descargador

No. de ref.	Descripción	No. de pieza	Cant	No. de ref.	Descripción	No. de pieza	Cant
1	Cilindro	P12237D	1	21▲	Empaquetadura de tapa del compartimiento del regulador	SE1489	1
2	Tornillo de cabeza hexagonal	M2345	6	22	Placa desviadora del regulador	NR104	1
3▲	Empaquetadura de pestaña de asiento de cilindro	NR29A	1	23	Pivote del contrapeso del regulador	SE583B	1
4	Volante	NR7A	1	24	Contrapeso del regulador	SE582	2
5	Chaveta	U8	1	25	Pasador del contrapeso del regulador	SE592A	2
6	Tornillo de cabeza hexagonal	M738	1	26	Arandela de seguridad del resorte	M3468	1
7	Tuerca hexagonal	M2955	1	27	Tornillo de cabeza hexagonal	M2345	1
8	Cárter	M1820	1	28	Arandela plana	M912A	1
9	Tapón roscado	64AA5	1	29	Resorte principal del regulador	SE590	1
10	Indicador de nivel de aceite	RE714	1	30	Manguito del resorte	SE587	1
11	Tapón roscado (llenado de aceite)	64A5	1	31	Tapa del compartimiento del regulador	RE10100A	1
12	Tubo de drenaje de aceite	M492	1	32	Silenciador del descargador	Z4593	1
13	Tapón de drenaje de aceite	M461	1	33	Tornillo de máquina de cabeza hexagonal	M3473	6
14	Juego de empaquetaduras del compartimiento del regulador	Z130	1	34	Juego de conjunto de válvula de seguridad	Z12414A	1
15▲	Empaquetadura del compartimiento del regulador de 0.8 mm	SE1430	1	35	Émbolo de la válvula de seguridad	SE586B	1
16▲	Empaquetadura del compartimiento del regulador de 0.1 mm	SE1430A	1	36	Bola de la válvula de seguridad	P07841A	1
17▲	Empaquetadura del compartimiento del regulador de 0.3 mm	SE1430B	1	37	Resorte de la válvula de seguridad	SE591	1
18▲	Empaquetadura del compartimiento del regulador de 0.4 mm	SE1430C	1	38	Cuerpo de la válvula de seguridad	NR101	1
19	Compartimiento del regulador	NR80A	1	▲	Juego completo de empaquetaduras de bomba	Z764	
20	Tornillo de cabeza hexagonal	M2343	4				

Para obtener repuestos llame en México al teléfono 95-800-527-2331 y en EE.UU. al teléfono 1-800-323-0620

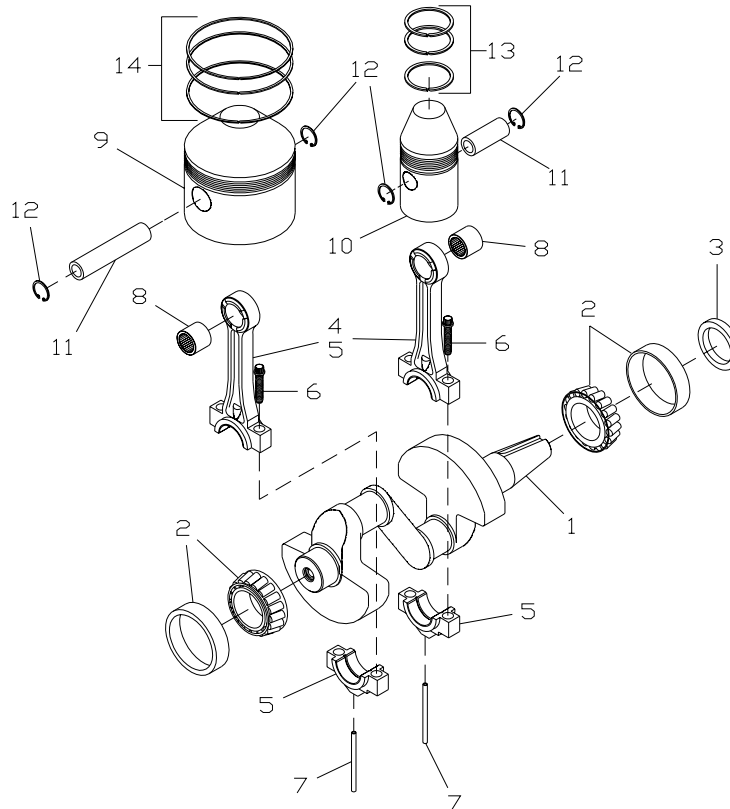
Servicio permanente, las 24 horas del día, 365 días al año

Sírvase proporcionar la siguiente información:

- Número del modelo
- Número de serie (si lo tiene)
- Descripción y número de la pieza según se muestra en la lista de piezas

Envíe correspondencia relacionada con pedidos de piezas a:

Grainger Parts Operations
P.O. Box 3074
1657 Shermer Road
Northbrook, IL 60065-3074, EE.UU.



C419-A
(Dibujo de Referencia)

E
S
P
A
Ñ
O
L

Figura 6 —Ilustración de piezas de repuesto para cigüeñales, pistones y bielas

Lista de piezas de repuesto para el conjunto de cigüeñal, pistones y bielas

No. de ref.	Descripción	No. de pieza	Cant	No. de ref.	Descripción	No. de pieza	Cant
1	Cigüeñal	R155	1	12●▲	Anillo retenedor del pasador de pistón	R10102	4
2	Conjunto de cojinete principal	ZNR16	2	13●▲	Juego de anillos de pistón de alta presión	Z797	1
3	Sello de aceite	OSN4	1	14■▲	Juego de anillos de pistón de baja presión	Z798	1
4	Conjunto de biela (Nos. de ref. 5,6,7 y 8)	Z750	2	●	Juego de anillos de pistón de alta presión	Z9100	
5	Biela	*	2	▲	Juego de anillos de pistón de baja presión	Z9101	
6	Perno de la biela	M1583	4	■	Juego completo de anillos de bomba	Z799	
7	Cuchara de lubricación	R1524	2				
8	Cojinete del pasador de pistón	R1037	2				
9▲	Pistón de baja presión con pasador	ZR154	1				
10●	Pistón de alta presión con pasador	ZP02709C	1				
11●▲	Pasador de pistón	R0121	2				

(*) No se venden por separado.

Para obtener repuestos llame en México al teléfono 95-800-527-2331 y en EE.UU. al teléfono 1-800-323-0620

Servicio permanente, las 24 horas del día, 365 días al año

Sírvase proporcionar la siguiente información:

- Número del modelo
- Número de serie (si lo tiene)
- Descripción y número de la pieza según se muestra en la lista de piezas

Envíe correspondencia relacionada con pedidos de piezas a:

Grainger Parts Operations
P.O. Box 3074
1657 Shermer Road
Northbrook, IL 60065-3074, EE.UU.

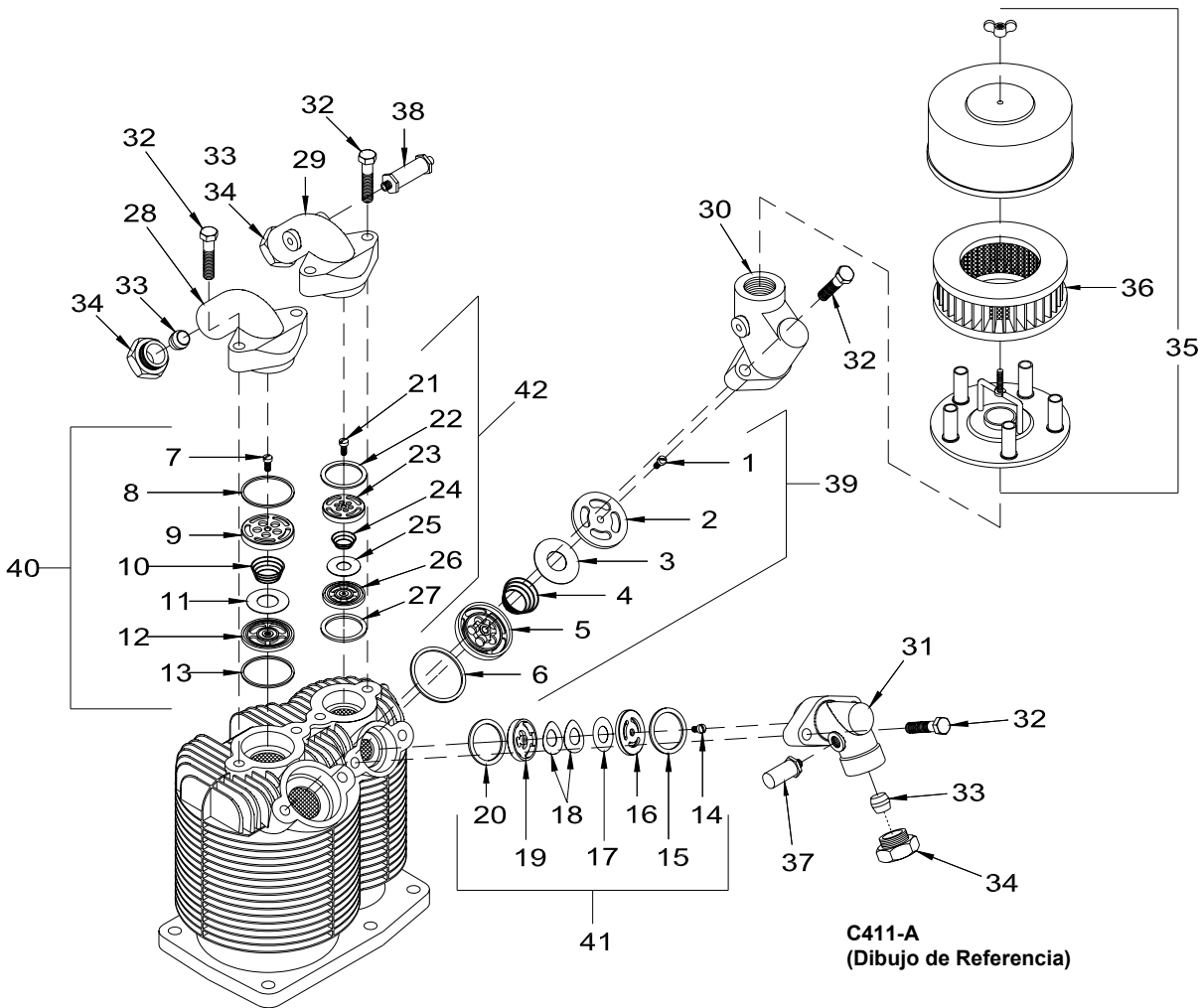


Figura 7 — Ilustración de piezas de repuesto para conjuntos de válvulas y múltiple

Modelos 3Z180C y 3Z181C

Lista de piezas de repuesto para conjuntos de válvulas y múltiple

No. de ref.	Descripción	No. de pieza	Cant.	No. de ref.	Descripción	No. de pieza	Cant.
1	Tornillo de máquina de cabeza hexagonal	P04544A	1	25	Disco de válvula	RE1062	1
2	Asiento de la válvula de entrada	RE1471A	1	26	Asiento de la válvula de escape	RE757A	1
3	Disco de válvula	RE1470	1	27▲	Empaquetadura de válvula	P04137A	1
4	Resorte de válvula	RE1458	1	28	Múltiple de escape de baja presión	RE102E	1
5	Jaula de la válvula de entrada	M2098	1	29	Múltiple de escape de alta presión	P12303B	1
6▲	Empaquetadura de válvula	CQP14832A	1	30	Múltiple de admisión de baja presión	P09669C	1
7	Tornillo de máquina de cabeza hexagonal	M3220	1	31	Múltiple de admisión de alta presión	P12302B	1
8▲	Empaquetadura de válvula	P04135A	1	32	Tornillo de cabeza hexagonal (todos los múltiples)	P05005A	8
9	Jaula de la válvula de escape	M2099	1	33	Casquillo	SE542	3
10	Resorte de la válvula de escape	RE1059	1	34	Tuerca de compresión	SE541	3
11	Disco de válvula	RE1061	1	35	Filtro de admisión	P04999A	1
12	Asiento de la válvula de escape	M2097	1	36	Elemento de filtro	P05050A	1
13▲	Empaquetadura de válvula	P04135A	1	37	Válvula limitadora de presión entre etapas	CC1009750	1
14	Tornillo de máquina de cabeza hexagonal	M3220	1	38	Válvula limitadora de presión	P09704A	1
15▲	Empaquetadura de válvula	CQP14870A	1	†39●	Conjunto de válvula de admisión de baja presión	Z812	1
16	Asiento de la válvula de entrada	P14118B	1	40●	Conjunto de válvula de escape de baja presión	Z813	1
17	Disco de válvula	P13865A	1	†41●	Conjunto de válvula de admisión de alta presión	Z11937	1
18	Resorte de válvula	P13866A	1	42●	Conjunto de válvula de escape de alta presión	Z115	1
19	Jaula de la válvula de entrada	P14224B	1	●	Juego completo de válvulas con empaquetaduras (incluye los Nos. de ref. 39-42 y 5Z5158)	Z5157	
20▲	Empaquetadura de válvula	P09171A	1		Para el Model 3Z180C	Z11937	
21	Tornillo de máquina de cabeza hexagonal	M3220	1		Para el Model 3Z181C	Z6795	
22▲	Empaquetadura de válvula	CQP14869A	1	▲	Juego completo de empaquetaduras de válvula	Z5156	
23	Jaula de la válvula de escape	M2100	1				
24	Resorte de válvula	RE760	1				

(†) Estas piezas sólo se utilizan en el Modelo 3Z80C. Véanse en la página 27 las piezas utilizadas en el Modelo 3Z181C.

Para obtener repuestos llame en México al teléfono 95-800-527-2331 y en EE.UU. al teléfono 1-800-323-0620

Servicio permanente, las 24 horas del día, 365 días al año

Sírvase proporcionar la siguiente información:

- Número del modelo
- Número de serie (si lo tiene)
- Descripción y número de la pieza según se muestra en la lista de piezas

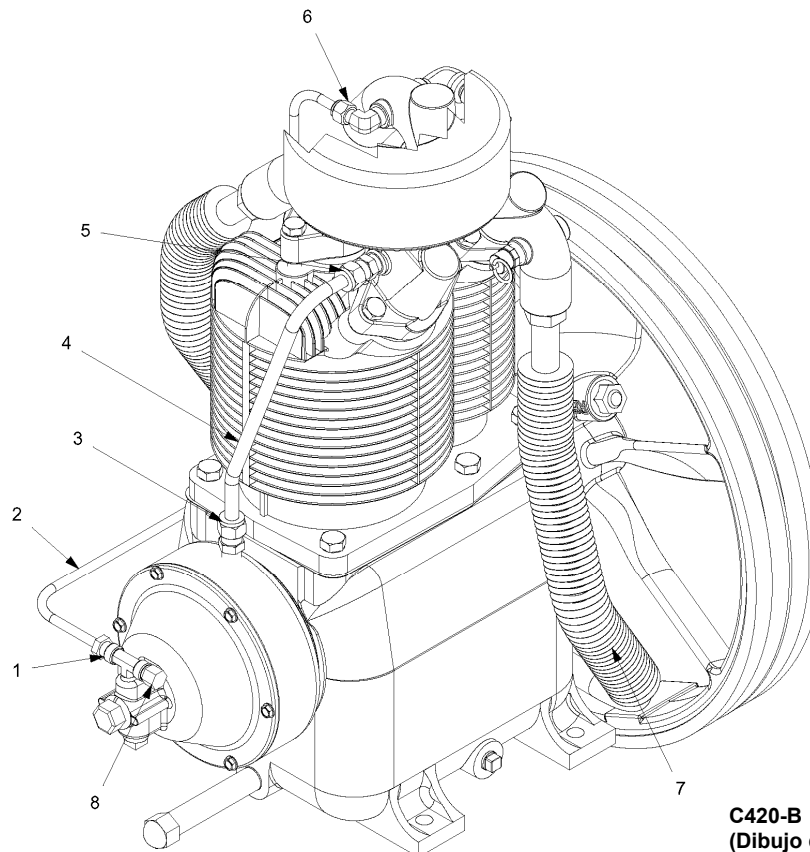
Envíe correspondencia relacionada con pedidos de piezas a:

Grainger Parts Operations

P.O. Box 3074

1657 Shermer Road

Northbrook, IL 60065-3074, EE.UU.



C420-B
(Dibujo de Referencia)

Figura 8 — Ilustración de piezas de repuesto para las tuberías

Lista de piezas de repuesto para las tuberías

No. de ref.	Descripción	No. de pieza	Cant
1	Adaptador de compresión	M2879	1
2	Tubo de descarga con adaptadores	ZSB250A	1
3	Adaptador de compresión	M2864	1
4	Tubo de respiro con adaptadores	ZUB375B	1
5	Adaptador de compresión	M2864	1
6	Adaptador de compresión	86A40	1
7	Tubo del radiador intermedio con adaptadores	Z9140	1
8	Tuerca de compresión	VP1061773	1

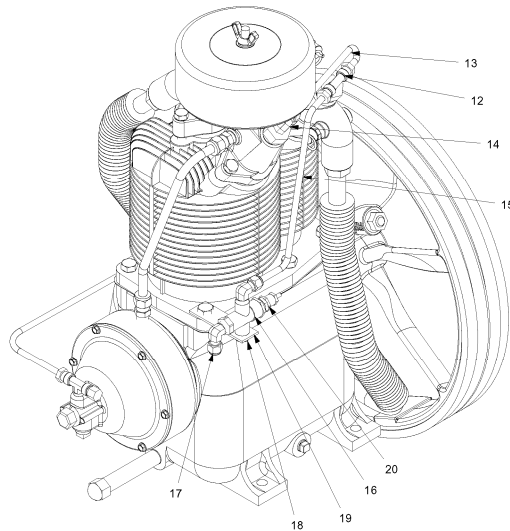
Para obtener repuestos llame en México al teléfono 95-800-527-2331 y en EE.UU. al teléfono 1-800-323-0620
Servicio permanente, las 24 horas del día, 365 días al año

Sírvase proporcionar la siguiente información:

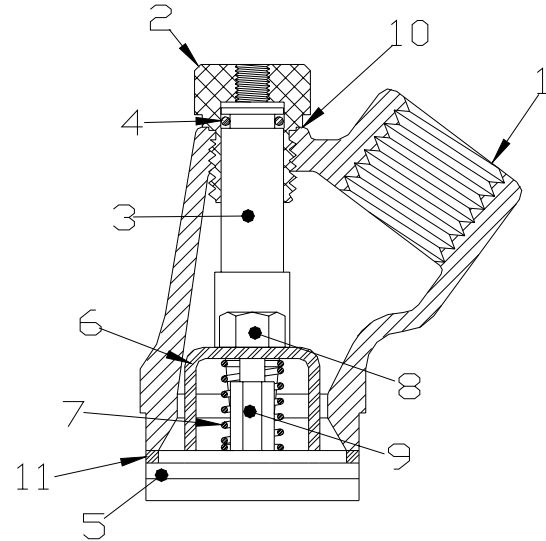
- Número del modelo
- Número de serie (si lo tiene)
- Descripción y número de la pieza según se muestra en la lista de piezas

Envíe correspondencia relacionada con pedidos de piezas a:

Grainger Parts Operations
 P.O. Box 3074
 1657 Shermer Road
 Northbrook, IL 60065-3074, EE.UU.



C421-B
(Dibujo de Referencia)



Conjunto típico de múltiple

C414-A
(Dibujo de Referencia)

Figura 9 — Ilustración de piezas de repuesto para el modelo 3Z181C

Lista de piezas de repuesto para el Modelo 3Z181C

No. de ref.	Descripción	No. de pieza	Cant	No. de ref.	Descripción	No. de pieza	Cant
1	Múltiple de admisión de baja presión	P09670C	1	10	Empaquetadura — Sólo alta presión	P00746A	1
	Múltiple de admisión de alta presión	P12304B	1	11	Empaquetadura — Sólo alta presión	P09171A	1
2	Cilindro	P02306B	2	12	Adaptador de compresión	M2879	1
3	Pistón	P09923A	2	13	Tubo del múltiple	Z9172	1
4	Anillo tórico	P02547A	2	14	Adaptador de compresión	M2868	1
5	Válvula de admisión de baja presión	Z4877	1	15	Tubo accionador	P12323A	1
	Válvula de admisión de alta presión	Z11938	1	16	Válvula piloto	M2853	1
6	Garra de baja presión	P09085A	1	17	Adaptador de compresión	86A40	1
	Garra de alta presión	P14119A	1	18	Tornillo de cabeza hexagonal	M3465	1
7	Resorte de baja presión	P09084A	1	19	Soporte de montaje	M807	1
	Resorte de alta presión	P01882A	1	20	Adaptador de compresión	M2868	1
8	Tuerca hexagonal	P09086A	2	▲	Juego de descargador de cabezal (incluye los Nos. de ref. 1-22)	Z9144	
9	Vástago de la guía de baja presión	P09083A	1				
	Vástago de la guía de alta presión	P09296A	1				

Veillez lire soigneusement ce manuel avant de tenter d'assembler, d'installer, de faire fonctionner ou d'effectuer l'entretien du produit décrit dans ces pages. Protégez-vous, ainsi que vos collègues en respectant toutes les consignes de sécurité. Le fait de ne pas suivre les instructions données ici pourrait causer des dommages corporels, voire matériels ! Veuillez conserver ces instructions à titre de référence.

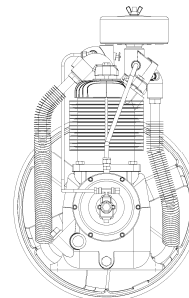
Pompes à compression d'air Champion

Description

Les têtes de compresseur Champion (pompes à air) sont des appareils industriels bi-tagés pour usage intensif. Chaque appareil est équipé d'un réducteur de puissance à masselottes pour les démarrages à vide, d'un vilebrequin en fer ductile à contrepoids, de roulements à rouleaux coniques et de cylindres en aluminium moulés avec des manchans en fonte. Les têtes de compresseur Dayton sont également dotées de soupapes à disque en acier suédois, d'un refroidisseur intermédiaire à ailettes, d'un système de lubrification par barbotage, d'une jauge visuelle du niveau d'huile et d'un volant à hélices équilibré (rotation à gauche, face au volant).

Le modèle 3Z180C utilise un manostat pour les applications à service intermittent (opérations en marche-arrêt).

Le modèle 3Z181C utilise un mode de contrôle à vitesse constante pour les applications à service continu.



C417-B

Figure 1 – Tête de compresseur (pompe à air)

Caractéristiques

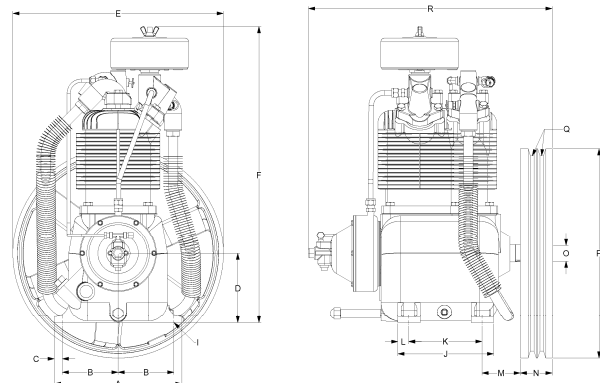
Alésage et course.....	117 X 64 X 76 mm
Nbre de cylindres	2
Volume/tour	0,0083 m ³ /min/tour
Contenance en huile	2,1 l
Poids	49,5 kg
Pression max.....	12 bar
Régime de fonctionnement min.	400 tr/min
Régime de fonctionnement max.....	1050 tr/min

▲ DANGER

Ce compresseur à pistons ne doit pas être utilisé pour produire de l'air à respirer. Dans un tel cas, cela entraîne-rait des blessures graves que l'air soit distribué directement du compresseur ou qu'il ait été stocké dans des réservoirs d'air pour usage ultérieur. Le fabricant désavoue toute responsabilité pour tout dommage ou perte dus à des blessures graves ou mortelles, ainsi que pour tout dommage matériel causé par l'utilisation de ce compresseur dans le but de fournir de l'air à respirer.

Tableau des dimensions

Lég	Description	Dim
A	Largeur à la base	254mm
B	Largeur entre boulons	111 mm
C	Espace du boulon au bord	16 mm
D	De la base au centre du vilebrequin	140 mm
E	Largeur hors tout	451 mm
F	Hauteur hors tout	591 mm
I	Diamètre du trou du boulon	12 mm
J	Profondeur de la base	191 mm
K	Profondeur entre boulons	146 mm
L	Espace du boulon au bord	22 mm
M	Espace du boulon à la roue (max.)	92 mm
N	Largeur du volant	63.5 mm
O	Diamètre du vilebrequin	33.3 mm
P	Diamètre du volant	419 mm
Q	Rainures du volant	2 VB
R	Profondeur hors tout	508 mm



C416-B

Figure 2

REMARQUE: Rotation du volant à droite, lorsque l'on fait face au compresseur et que le volant se trouve à l'arrière.

Pompes à compression d'air Champion

Performances

Bar	2.2 kW				3.7 kW			
	Vol. déplacé (m ³ /min)	Vol. d'air libre (m ³ /min)	Régime de pompe (tr/min)	Poulie du Moteur (1725* tr/min)	Vol. déplacé (m ³ /min)	Vol. d'air libre (m ³ /min)	Régime de pompe (tr/min)	Poulie du Moteur (1725* tr/min)
6,9	0,44	0,36	530	127 mm	0,70	0,59	855	208 mm
8,6	0,40	0,31	485	117 mm	0,66	0,54	805	196 mm
10,3	0,38	0,29	460	112 mm	0,63	0,50	760	185 mm
12,0	0,37	0,27	440	107 mm	0,59	0,47	710	173 mm

(*) Le régime moteur recommandé est de 1725 tr/min. Les dimensions et performances de poulie sont basées sur un régime moteur de 1725 tr/min. Le volant est doté de deux gorges pour les courroies de section de type « B ».



L'utilisation de ce compresseur comme pompe d'appoint et/ou pour comprimer un élément autre que l'air atmosphérique est strictement interdite et peut causer des dommages matériels, voire des blessures graves. Toute utilisation non approuvée annulera la garantie.

Consignes de sécurité d'ordre général

Étant donné qu'un compresseur d'air est une machine composée de pièces qui bougent et tournent, il va de soit qu'il faut prendre les mêmes précautions que pour n'importe quelle autre machine de ce genre car toute négligence en ce qui concerne son utilisation ou son entretien peut s'avérer dangereuse pour le personnel. Il faudra respecter les mesures de sécurité supplémentaires ci-dessous en plus des nombreuses règles de sécurité évidentes applicables à ce type de machine :

1. Veuillez lire toutes les instructions intégralement avant de faire fonctionner le compresseur d'air ou l'appareil.
2. En ce qui concerne l'installation, respectez tous les codes électriques et de sécurité locaux ainsi que le Code national de l'électricité américain (NEC) et les règlements de l'OSHA (Occupational Safety and Health Act).
3. Les moteurs électriques doivent être mis à la terre de manière fiable et adéquate. Cela peut être accompli en opérant le câblage à l'aide d'un système de canalisation à revêtement métallique mis à la terre, en utilisant un fil de terre séparé connecté au métal nu du châssis du moteur ou bien en ayant recours à d'autres méthodes appropriées.
4. Protégez le câble d'alimentation afin qu'il n'entre pas en contact avec des objets tranchants. Ne tordez pas le câble d'alimentation et ne le mettez jamais en contact avec de l'huile, de la graisse, des surfaces chaudes ou des produits chimiques.
5. Assurez-vous que la source d'alimentation est conforme aux exigences de votre équipement.
6. Tirez le sectionneur principal et déconnectez toutes autres lignes de contrôle, le cas échéant, avant de tenter d'effectuer tout travail ou entretien sur le compresseur d'air ou l'appareil. Verrouillez ou étiquetez la source d'alimentation.
7. N'essayez pas d'enlever des pièces du compresseur sans avoir éliminé, au préalable, toute pression du système.
8. N'essayez pas d'effectuer l'entretien des pièces pendant le fonctionnement de l'appareil.
9. Ne faites pas fonctionner le compresseur à des pressions dépassant ses caractéristiques nominales.
10. Ne faites pas fonctionner le compresseur à des vitesses dépassant ses caractéristiques nominales.
11. Vérifiez régulièrement tous les dispositifs de sécurité pour vous assurer qu'ils fonctionnent correctement. Ne modifiez pas le réglage de pression et n'entravez pas le bon fonctionnement de l'appareil de quelque manière que ce soit.
12. Assurez-vous qu'aucun outil, chiffon ou pièce ne se trouve sur le compresseur ou les pièces d'entraînement.
13. N'utilisez pas de solvants inflammables pour nettoyer le filtre ou l'élément d'admission d'air ni les autres pièces.
14. Faites preuve de soin durant tout travail d'entretien ou de réparation. Protégez les pièces de la poussière en les couvrant, ainsi que les ouvertures exposées, d'un chiffon propre ou d'un papier kraft.
15. Ne faites pas fonctionner le compresseur sans que les protections, panneaux et écrans ne soient en place.
16. N'installez pas de soupape de fermeture dans la conduite d'évacuation à moins qu'une soupape de sûreté de conception et de dimension appropriées n'ait été installée.

Models 3Z180C et 3Z181C

Consignes de sécurité d'ordre général (suite)

ligne entre le compresseur et la soupape de fermeture.

17. Ne faites pas fonctionner le compresseur dans des zones où l'on risque d'inhaler des vapeurs inflammables ou toxiques.
18. Faites attention si vous touchez l'extérieur d'un moteur ayant récemment fonctionné car il pourrait être suffisamment chaud pour vous brûler. Cela est normal avec les moteurs modernes s'ils ont fonctionné à leur charge nominale, car ils sont conçus pour tourner à des températures supérieures.
19. Inspectez l'appareil chaque jour afin de relever et corriger toute anomalie.
20. Méfiez-vous de l'air comprimé : toute imprudence peut causer des blessures graves.
21. L'air comprimé provenant de cet appareil ne doit en aucun cas être utilisé pour la transformation des aliments, ni être respiré sans la présence de filtres, de purificateurs ou de contrôles adéquats en aval du système.
22. Utilisez toujours un dispositif de régulation de pression d'air au point d'utilisation.
23. Avant chaque utilisation, vérifiez les tuyaux au cas où ils seraient endommagés ou usés, et assurez-vous que toutes les connexions sont solides.
24. Portez toujours des lunettes de sécurité si vous utilisez un pistolet à air comprimé.

Nous tenons à avertir les utilisateurs de compresseurs d'air fabriqués par Champion que le fait de ne pas respecter les consignes de sécurité et d'utilisation précédentes peut causer des blessures graves au personnel ainsi

que des dommages matériels. Cependant, Champion ne déclare ni ne sous-entend que la liste des consignes de sécurité et d'utilisation précédente est complète ni que le fait de la respecter puisse empêcher toute blessure ou tout dommage matériel de se produire.

EXPLICATION DES SYMBOLES ET DES AUTOCOLLANTS RELATIFS À LA SÉCURITÉ

DANGER

Le symbole **DANGER** indique des dangers immédiats qui entraîneront des blessures graves ou mortelles.

ADVERTISSEMENT

Le symbole **ADVERTISSEMENT** indique des dangers ou des pratiques peu sûres qui pourraient entraîner des blessures graves ou mortelles.

ATTENTION

Le symbole **ATTENTION** indique des dangers ou des pratiques peu sûres pouvant endommager le compresseur ou causer des blessures légères.

Installation

1. Un compresseur installé de manière permanente doit être situé dans une pièce sèche bien aérée et propre, afin qu'il puisse recevoir une alimentation adéquate d'air frais, salubre et sec. Il est recommandé de placer un compresseur utilisé pour des travaux de peinture dans une salle séparée du lieu où s'effectuent le ponçage et la peinture des carrosseries. S'il est démontré que des particules abrasives ou de la peinture ont bouché les filtres de prise d'air et les soupapes d'admission, la garantie sera automatiquement annulée.
2. Les compresseurs ne doivent jamais être situés si près d'un mur ou de tout autre obstacle que le flot d'air, qui passe à travers le volant à pales de ventilateur pour refroidir

le compresseur, soit entravé. Le volant d'un appareil fixé de façon permanente doit être éloigné du mur d'au moins 305 mm.

3. Si vous installez une pompe simple, assurez-vous que le système est muni de contrôles de limite de pression adéquats. Il pourrait s'agir d'un manostat pour un service en marche/ arrêt ou d'une soupape pilote pour un fonctionnement continu. Le compresseur doit être équipé de réducteurs de puissance de têtes si une soupape pilote est installée.
4. Installer un clapet d'air aux dimensions correctes dans la tuyauterie d'évacuation, entre la sortie du compresseur et l'entrée de tout réservoir(s) recevant de l'air dans le système.

DANGER

N'installez pas de vanne d'isolement entre la sortie du compresseur et le réservoir d'air. Ceci pourrait causer une pression excessive une fois les vannes fermées, ce qui entraînerait des blessures graves et des dommages matériels.

ADVERTISSEMENT

Utilisez toujours un dispositif de régulation de pression d'air au point d'utilisation. On risque, à défaut, de provoquer des blessures graves ou des dommages matériels.

ATTENTION

N'installez pas l'appareil dans une zone où la température ambiante est inférieure à 0°C ou supérieure à 38°C. N'installez pas l'appareil dans une zone où l'air est pollué et/ou contaminé par des produits chimiques. L'appareil ne doit pas être installé à l'extérieur.

GÉNÉRALITÉS

1. Sélectionnez la puissance de moteur et la vitesse de compresseur appropriées en consultant la section "Performances".
2. Ne faites pas fonctionner le compresseur en survitesse. Ceci raccourcira sérieusement la durée de vie utile

Pompes à compression d'air Champion

INSTALLATION (suite)

- de la pompe et pourrait surcharger le moteur électrique.
- Assurez-vous que la rotation du compresseur se fait dans le sens antihoraire lorsque vous vous tenez face au volant.
 - Toutes les pièces mobiles doivent être protégées. Il faut poser un garde-courroie avant d'utiliser l'appareil.
 - Faites fonctionner le compresseur dans un lieu bien aéré et propre.
 - Installez le compresseur à une distance d'au moins 305 mm des murs adjacents. Ceci assurera un débit d'air sans obstacle permettant de refroidir le compresseur.
 - Veillez à ce que l'huile recommandée soit ajoutée au carter-moteur du compresseur. Reportez-vous au paragraphe portant sur la lubrification dans la section "Entretien".
 - Ce compresseur a été conçu pour un cycle de service de 80%/ON, 20%/OFF.

Préparation en vue du démarrage initial et de l'utilisation de l'appareil

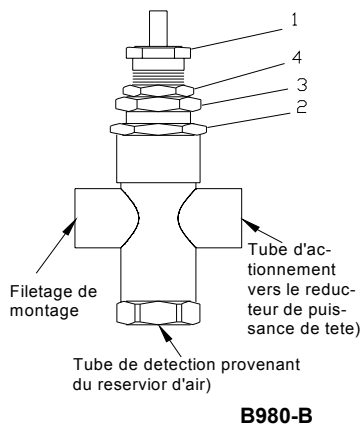
- Tirez le sectionneur principal pour vous assurer que l'appareil ne reçoit pas de courant.
- Vérifiez que de l'huile a été ajoutée au carter-moteur du compresseur.
- Vérifiez s'il y a des signes visibles de dommages qui auraient pu se produire durant la livraison ou l'installation.
- Actionnez le sectionneur principal.
- Faites fonctionner le moteur par à-coups et vérifiez que la rotation se fait correctement comme indiqué par la flèche de direction. Si la rotation est incorrecte, inversez les connexions d'entrée du démarreur magnétique (appareils triphasés uniquement).

- Fermez la soupape manuelle de décharge du réservoir d'air et démarrez l'appareil.
- Tout en gardant la soupape manuelle du réservoir fermée, laissez l'appareil pomper jusqu'à atteindre sa pression de fonctionnement. À ce point-ci, les commandes automatiques prennent le contrôle. Vérifiez que la succession de cycles s'effectue correctement.
- Vérifiez que les diverses options fonctionnent correctement, ex. LOSC ou réducteurs de puissance de tête avec la soupape pilote. Reportez-vous à la fiche d'instruction de chaque option.
- Si la période d'utilisation initiale ne révèle aucun problème de fonctionnement, arrêtez l'appareil et vérifiez le niveau d'huile de nouveau.
- Ouvrez la soupape manuelle du réservoir d'air. Le compresseur d'air est à présent prêt pour utilisation.

IMPORTANT : Ce compresseur a une pression de fonctionnement maximum de 12 bar. Ne modifiez pas les réglages de pression des éléments de commande au-delà de cette limite.

RÉDUCTION DE VITESSE CONSTANTE ET SOUPAPE PILOTE (MODÈLE 3Z181C SEULEMENT)

Ce compresseur est équipé de réducteurs de puissance à têtes de soupape.



B980-B

Figure 3 - Réglage des soupapes pilote

La soupape pilote est conçue pour agir comme commutateur de débit d'air automatique. En position « On » (marche), elle permet à l'air de s'écouler du réservoir, à travers la soupape, vers un autre dispositif, tel qu'un mécanisme réducteur de puissance de tête de compresseur, et de l'actionner ainsi. En position « Off » (arrêt), la soupape arrête le débit d'air et relâche la pression dans la conduite reliée au dispositif en question.

La soupape pilote fonctionne de la manière suivante : La pression d'air du réservoir agit sur le fond de la soupape. Lorsque la pression est assez forte pour vaincre la tension du ressort qui retient la soupape sur le siège inférieur, celle-ci se soulève et laisse s'écouler l'air autour d'elle et vers l'extérieur à travers l'ouverture latérale de la soupape pilote. Lorsque la soupape se soulève du siège inférieur, elle remonte et se pose sur le siège supérieur, où elle demeure retenue par la pression du réservoir. Lorsque la pression du réservoir et sur la soupape baisse, le ressort repousse la soupape vers le siège inférieur. L'air qui se trouve dans la conduite reliée au dispositif actionné peut alors s'échapper à travers le siège supérieur et par le trou d'aération. La pression qui détermine si la soupape pilote est activée ou non est contrôlée par le ressort installé en usine. On peut effectuer, sur place, un petit réglage de la tension du ressort en comprimant plus ou moins celui-ci à l'aide de la vis de réglage fournie avec la soupape pilote.

RÉGLAGE DE LA PRESSION DE LA SOUPAPE PILOTE DU COMPRESSEUR (voir la Figure 3).

Suivez les instructions suivantes pendant que le compresseur est en marche :

- Desserrez l'écrou de blocage (4) de plusieurs tours. Ne tournez pas le dispositif de réglage du différentiel (3).

Models 3Z180C et 3Z181C

FONCTIONNEMENT (suite)

- Vérifiez le relevé du manomètre du réservoir. Réglez la pression maximum du compresseur à 1,7 bar. Tournez le bouchon fileté (1) à droite pour accroître la pression différentielle ou à gauche pour la réduire.
- Une fois la pression réglée, serrez l'écrou de blocage (2). Faites attention de ne pas déplacer le bouchon fileté (1).

RÉGLAGE DE LA PRESSION DIFFÉRENTIELLE DE LA SOUPAPE PILOTE DU COMPRESSEUR

Suivez les instructions suivantes pendant que le compresseur est en marche :

- Desserrez l'écrou de blocage (2) de plusieurs tours.
- Vérifiez le relevé du manomètre du réservoir. Réglez la pression sur 2 bar de différentiel (décharge à 11,7 bar, recharge à 9,7 bar). Tournez l'écrou (3) à droite pour accroître la pression différentielle, ou à gauche pour la réduire.
- Une fois la pression réglée, serrez l'écrou de blocage (2). Faites attention de ne pas déplacer l'écrou (3).

SOUPAPES PILOTES

No. de pièce	Gamme de pression (bar)
M2855	5-6,5
M2854	6,2-8,3
M2853	9,7-11,7

ENTRETIEN

Afin d'obtenir un entretien fiable et satisfaisant de l'appareil, il faut lui assurer un programme d'entretien préventif régulier.



Avant d'entreprendre tout travail d'entretien, mettez le sectionneur en position «Off» (désactivé) pour vous assurer qu'aucune alimentation ne parvient à l'appareil. Bloquez ou verrouillez toute source d'alimentation

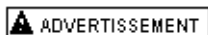
Assurez-vous que l'appareil est libre de toute pression d'air. On risque, à défaut, de provoquer des blessures graves ou des dommages matériels.

ENTRETIEN QUOTIDIEN

- Vérifiez le niveau d'huile du compresseur. Ajoutez de l'huile de lubrification de qualité si nécessaire. Reportez-vous à la section "Spécifications du type d'huile de compresseur".
- Éliminez toute humidité du réservoir en ouvrant le robinet de vidange situé au fond du réservoir. N'ouvrez pas le robinet si la pression du réservoir dépasse 1,7 bar.
- Désactivez le compresseur à la fin de chaque journée de travail. Coupez l'alimentation au niveau de l'interrupteur mural.

ENTRETIEN HEBDOMADAIRE

- Nettoyez la poussière et les matières étrangères de la culasse, des hélices du volant, des conduites d'air, du refroidisseur intermédiaire et du réservoir.
- Enlevez et nettoyez les filtres d'aspiration d'air.



Ne dépassez pas 1 bar de pression de gicleur si vous nettoyez des pièces d'éléments à l'air comprimé. Ne dirigez pas l'air comprimé sur la peau. Des blessures graves pourraient en résulter. Ne lavez jamais les éléments dans du mazout, de l'essence ou dans un solvant inflammable.

- Vérifiez que les courroies en V sont correctement réglées. Elles doivent être suffisamment serrées pour transmettre la puissance nécessaire au compresseur. Réglez-les de la manière suivante :
 - Enlevez les boulons et le garde-courroie pour accéder au côté compresseur.

- Desserrez le matériel de montage qui retient le moteur à sa base. Faites glisser le moteur le long des fentes de la plaque de fixation jusqu'à l'emplacement voulu.
- Exercez une pression du doigt au centre d'une des courroies. La tension est correcte si la partie supérieure de la courroie est alignée avec la partie inférieure de la courroie adjacente. Effectuez des réglages supplémentaires au besoin.
- Vérifiez l'alignement des poulies. Réglez-le au besoin.
- Serrez le matériel de montage pour fixer le moteur sur sa base.
- Remplacez le garde-courroie et fixez-le à l'aide des boulons.



Ne faites jamais fonctionner l'appareil sans garde-courroie. En l'absence de celui-ci, les pièces rotatives sont exposées et peuvent causer des blessures graves ou des dommages matériels.

TOUS LES 90 JOURS OU 500 HEURES

- Changez l'huile du carter-moteur. Utilisez un type et une qualité d'huile tel que spécifié dans la section "Spécifications du type d'huile de compresseur".
- Vérifiez la présence de fuites d'air sur tout le système à l'aide d'une solution savonneuse et d'une brosse, particulièrement autour des raccords, des connexions et des joints.
- Serrez les écrous et les boulons de chapeau au besoin.
- Vérifiez et nettoyez les soupapes de compresseur ; les soupapes usées ou endommagées doivent être remplacées.

Pompes à compression d'air Champion

FONCTIONNEMENT (suite)

ATTENTION

Les soupapes doivent être replacées à leur position initiale.

Les joints de soupape doivent être rem placés chaque fois que l'entretien des soupapes est effectué.

REMARQUES GÉNÉRALES SUR L'ENTRETIEN COURROIES

Les courroies d'entraînement doivent être toujours assez serrées pour empêcher qu'elles ne glissent. Si les courroies glissent ou grincent, reportez-vous à la section précédente qui traite de l'entretien des courroies en V.

ATTENTION

Si les courroies sont trop serrées, cela créera une surcharge pour le moteur et ses roulements.

SOUPAPES DE COMPRESSEUR

Si le compresseur n'arrive pas à pomper l'air ou semble remplir le réservoir trop lentement, déconnectez l'appareil de sa source d'alimentation, enlevez les soupapes et nettoyez-les soigneusement à l'aide d'air comprimé ou d'une brosse métallique douce. Une fois le nettoyage effectué, veillez particulièrement à remettre chaque pièce exactement à sa place et vérifiez que tous les joints sont bien serrés sinon le compresseur ne fonctionnera pas correctement.

Lorsque toutes les soupapes sont replacées et que les connexions sont bien serrées, fermez la soupape manuelle de l'orifice de sortie du réservoir pour vérification finale. Les joints de soupape doivent être remplacés chaque fois que des ensembles de soupape sont retirés de la pompe.

RÉDUCTEUR DE PUISSANCE À MASSELOTES ET SOUPAPE DE DÉCHARGE

Le réducteur de puissance à masselottes est contrôlé par deux masselottes centrifuges. Il est complètement clos et est lubrifié par le carter-moteur du compresseur. Lorsque le compresseur démarre, les masselottes centrifuges s'ouvrent automatiquement et compriment le ressort principal permettant ainsi à la soupape de décharge du réducteur de puissance de se fermer. Lorsque le compresseur s'arrête, le ressort principal renvoie les masselottes centrifuges à leur position normale ouvrant ainsi la soupape de décharge et déchargeant le compresseur. Ceci empêche de surcharger le moteur au moment du démarrage. Si l'air continue de s'échapper par le régulateur ou la soupape de décharge du réducteur de puissance pendant le fonctionnement, cela indique que la soupape de décharge ne se ferme pas bien et qu'elle est probablement gênée par des corps étrangers qui se sont introduits sur le siège.

Pour y remédier, retirez le capuchon de la soupape de décharge du régulateur pour avoir accès au ressort et à la bille de la soupape de décharge. Nettoyez-les soigneusement et remettez les pièces dans le même ordre que lorsque vous les avez enlevées. Des courroies d'entraînement desserrées peuvent également entraîner une fuite du réducteur de puissance en empêchant le compresseur de fonctionner à plein régime. (Voir "COURROIES" plus haut).

LA SOUPAPE DE SÛRETÉ

INTERÉTAGE est fournie comme protection contre une surpression interétage et est réglée en usine pour une pression maximum de 5 bar.

IMPORTANT : Ne modifiez pas son réglage.

Si la soupape de sûreté claque, cela indique la présence d'un problème. Arrêtez l'appareil immédiatement, déterminez la nature de l'anomalie et corrigez-la. Inspectez les têtes de soupape. Si le problème n'est pas corrigé, cela peut entraîner des dommages sérieux, voire la destruction totale de l'appareil. Toute altération de la soupape de sûreté interétage ou bourrage de l'ouverture détruit la protection assurée par l'appareil et annule entièrement la garantie.

LUBRIFICATION DU COMPRESSEUR

Remplissez le carter-moteur au bon niveau, comme indiqué par la jauge visuelle d'huile. Gardez le carter-moteur rempli selon l'usage.

Modèle 3Z180C et 3Z181C

SPÉCIFICATIONS POUR L'HUILE DE COMPRESSEUR

COMPRESSEUR D'AIR

Les compresseurs sont remplis à l'usine d'un lubrifiant pour pistons CHAMPLUB à base d'hydrocarbure ; un lubrifiant industriel ISO 100 non détergent qui contient des inhibiteurs de rouille et d'oxydation formulés spécialement pour les compresseurs à pistons. Il est recommandé ce compresseur soit maintenu en utilisant cette huile pour des température ambiante est supérieure à 0°C.

Le lubrifiant synthétique CHAMPLUB est un lubrifiant à base de diester de première qualité, qui permet d'obtenir une performance excellente dans les applications à haute température.

ATTENTION Ne mélangez pas les types, indices et margues d'huile.

ATTENTION L'émulsification de l'huile (substance blanche et laiteuse) indique l'accumulation d'humidité pouvant représenter un danger et peut signifier que le compresseur est trop large pour l'application. Le fait de ne pas entrer en contact sans délai avec votre distributeur local ou avec le Service à la clientèle de Champion peut constituer une raison pour l'annulation de votre garantie.

REMARQUES:

1. Le temps de rodage normal des compresseurs Champion est de 25 heures.
2. Pendant les 100 premières heures d'utilisation du compresseur, vérifier avec soin et régulièrement le niveau d'huile. Maintenir le niveau d'huile au niveau de la ligne de remplissage.

CHANGEMENT DU LUBRIFIANT SYNTHÉTIQUE

(S'applique uniquement aux lubrifiants synthétiques à base de diester)

Lors du changement du lubrifiant synthétique, suivre les étapes ci-dessous.

1. Le compresseur doit fonctionner pendant une période de rodage de 25 heures en utilisant l'huile ChampLub ISO 100.

2. Évacuez complètement l'huile existante le carter de vilebrequin.
3. Remplissez carter de vilebrequin de pleine charge de lubrifiant synthétique.
4. Courez le compresseur pendant 200 heures.
5. Arrêtez le compresseur et vidangez complètement le lubrifiant synthétique.
6. Ajoutez une pleine charge de lubrifiant synthétique.
7. Compresseur maintenant prêt à courir la période prolongée avant prochain changement de lubrifiant.

LUBRIFIANT

DESCRIPTION	NO. DE PIECE
1 Bouteille de 1,06 litre de lubrifiant de mineral ChampLub	P13796A
1 Bouteille de 1,06 litre de lubrifiant de synthétique ChampLub.	P13929A

Pompes à compression d'air Champion

Tableau de dépannage

Problème de compresseur Cause possible — No. de réf. (voir ci-dessous)

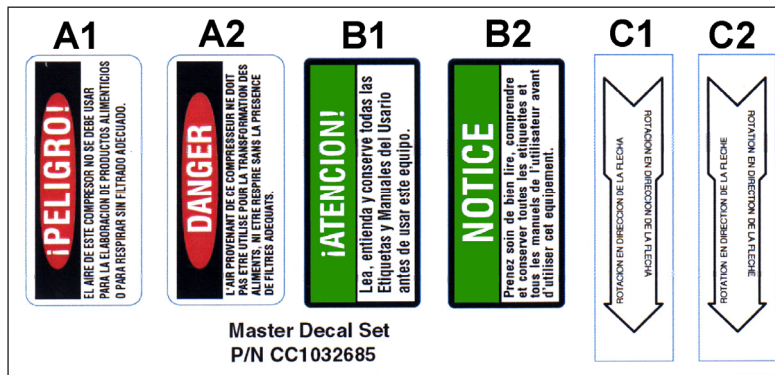
REMARQUE : Ce tableau est d'ordre général et il se peut que certains éléments ne s'appliquent pas à votre type de compresseur.

Pompage d'huile excessif.....	1, 7, 9, 11, 22, 23, 27
Cognements, cliquetis, vibrations excessives.....	2, 17, 18, 19, 20, 21, 23, 26
Baisse de l'alimentation d'air.....	1, 5, 18, 22, 23
Faible pression de décharge.....	1, 5, 6, 17, 18, 22, 23
Déclenchement d'une surcharge du moteur ou consommation excessive de courant.....	8, 13, 14, 15, 18, 20, 21, 23
Présence d'eau dans le carter-moteur ou de rouille dans les cylindres.....	11, 12
L'appareil ne décharge pas (commande de régime moteur constante).....	1, 16
Cycles de charge/décharge excessifs.....	3, 5, 6
Le compresseur ne se décharge pas à l'arrêt.....	19
Le compresseur n'accélère pas.....	13, 16
La pompe fonctionne dans le mauvais sens.....	24
Usure anormale du piston, du segment ou du cylindre.....	4, 7, 10, 11, 25
Le compresseur continue de décharger.....	19, 28
Décharge de la soupape de sûreté interétage.....	18, 29, 30

No. de réf.	Cause(s) possible(s)	No. de réf.	Solution
1.	Filtre d'aspiration bouché	1.	Nettoyez ou remplacez
2.	Volant ou poulie du moteur desserrés	2.	Serrez
3.	Excès de condensat dans le réservoir d'air	3.	Vidangez plus souvent
4.	Obstruction de l'alimentation d'air au volant	4.	Nettoyez l'appareil ou placez-le dans une zone aérée
5.	Fuites d'air dans les tuyaux (dans l'appareil ou dans le système extérieur)	5.	Remplacez les composants qui fuient ou bien serrez selon le besoin
6.	Fuites du clapet anti-retour du réservoir	6.	Remplacez ou bien réparez selon le besoin
7.	Viscosité d'huile trop faible	7.	Utilisez une huile appropriée
8.	Viscosité d'huile trop élevée	8.	Utilisez une huile appropriée
9.	Niveau d'huile trop élevé	9.	Vidangez l'excès d'huile
10.	Niveau d'huile trop faible	10.	Remplissez avec la bonne quantité
11.	Utilisation d'huile de type détergent	11.	Vidangez l'huile et remplissez avec une huile appropriée
12.	Appareil ayant un service très réduit ou étant situé dans un endroit humide	12.	Faites fonctionner l'appareil périodiquement même s'il ne sert pas. Placez-le dans un environnement plus sec
13.	Mauvais contacts, mauvais réchauffeurs de démarreur, tension de ligne incorrecte	13.	Vérifiez les connexions et les réchauffeurs de démarreur
14.	Mauvais réglage de puissance (ligne non équilibrée, moteurs triphasés)	14.	Contactez la compagnie d'électricité
15.	Courroies en V trop serrées	15.	Desserrez-les
16.	Mécanisme de décharge défectueux	16.	Remplacez ou bien réparez selon le besoin
17.	Présence de carbone sur le dessus du piston	17.	Nettoyez
18.	Soupapes non étanches, cassées, carbonisées ou lâches, ou passage d'air obstrué	18.	Nettoyez ou remplacez
19.	Réducteur de puissance à masselottes défectueux	19.	Remplacez ou bien réparez selon le besoin
20.	Axe de piston ou bague de maneton de bielle usés ou rayés	20.	Réparez ou remplacez
21.	Roulement défectueux sur le vilebrequin ou l'axe du moteur	21.	Remplacez
22.	Segments de piston cassés ou mal mis, écarts des extrémités non décalés, segments coincés dans les gorges, écart d'extrémité irrégulier, éraflé ou excessif	22.	Remplacez9
23.	Cylindres ou pistons éraflés, usés ou rayés	23.	Remplacez ou bien réparez selon le besoin
24.	Connexion de moteur triphasé incorrecte	24.	Intervertissez les connexions du démarreur
25.	Atmosphère extrêmement poussiéreuse	25.	Nettoyez le filtre plus souvent ou bien utilisez un filtre plus efficace
26.	Boulons desserrés, le réservoir n'est pas à niveau, le compresseur tourne trop vite	26.	Serrez les boulons, nivelez le réservoir avec une cale, ralentissez l'appareil en changeant les poulies ou en ralentissant le moteur à essence
27.	Fonctionnement sans charge excessif	27.	Modifiez le mode de contrôle en mode de démarrage et arrêt ou bien éteignez l'appareil s'il ne sert pas pendant de longues périodes
28.	Soupape pilote défectueuse	28.	Remplacez
29.	Le réducteur de puissance de tête colle	29.	Vérifiez et réparez au besoin
30.	Décharge bloquée	30.	Vérifiez si les tuyaux sont bloqués

Modèle 3Z180C et 3Z181C

Lista de calcomanías y etiquetas de peligro



PUMP HAZARD DECAL LISTING

DESCRIPTION	PART NO.
PUMP DECAL SHEET – MASTER	CC1032685
NOT USED	A1
Autocollant – Danger, filtre adéquat	A2
NOT USED	B1
Autocollant - Étiquettes d'articles	B2
NOT USED	C1
Autocollant – Sens de rotation	C2

Garantie Limitée

Garantie limitée à un an de Champion. Les pompes de compresseur d'air Champion, sont garanties par Champion au premier acheteur contre tout défaut de pièces ou de main-d'oeuvre, suite à un usage normal pour une période d'un (1) an à compter de la date d'achat. Toute pièce présentant un défaut de matière première ou un vice de fabrication et renvoyée à un centre agréé de réparation désigné par Dayton, coûts d'expédition prépayés, sera, en tant que recours unique, réparée ou remplacée, à la discrétion de Champion. Pour les procédures de recours en garantie limitée, consultez la rubrique

RÉPARATION RAPIDE ci-dessous. Cette garantie limitée confère à l'acheteur des droits de recours précis qui varient de juridiction en juridiction.

Limitation de la responsabilité. Champion désavoue toute autre garantie expresse ou implicite, sous la réserve des lois applicables. En tout état de cause, la responsabilité de Champion ne pourra en aucun cas excéder le montant effectivement payé.

STIPULATION D'EXONÉRATION DE GARANTIE. CHAMPION S'EST EFFORCÉ D'ILLUSTRER ET DE DÉCRIRE LE PRODUIT DU PRÉSENT GUIDE AVEC TOUTE LA PRÉCISION POSSIBLE ; TOUTEFOIS, DE TELLES ILLUSTRATIONS ET DESCRIPTIONS NE SONT QU'À FIN D'IDENTIFICATION, ET NE REPRÉSENTENT OU N'IMPLIQUENT PAS UNE GARANTIE QUE LE PRODUIT POSSÈDE UNE QUALITÉ MARCHANDE OU UNE UTILITÉ PARTICULIÈRE, OU QUE LE PRODUIT EST NÉCESSAIREMENT CONFORME AUX ILLUSTRATIONS ET DESCRIPTIONS.

SAUF LES PROVISIONS CI-DESSOUS, AUCUNE GARANTIE OU AFFIRMATION DE FAIT, EXPRESSE OU IMPLICITE, AUTRE QUE CELLE DÉCRITE SOUS LA RUBRIQUE GARANTIE LIMITÉE CI-DESSUS N'EST FAITE OU AUTORISÉE PAR CHAMPION.

Convenance du produit. Un grand nombre de juridictions appliquent des codes et règlements gouvernant la vente, la construction, l'installation et/ou l'utilisation de produits pour un usage particulier, qui peuvent varier de ceux appliqués dans les régions environnantes. Bien que Champion tente d'assurer que ses produits répondent à tous les règlements, il ne peut garantir la conformité et ne peut être tenu responsable de l'installation ou de l'utilisation du produit. Avant d'acheter et d'utiliser un produit, veuillez vous renseigner sur son utilisation et connaître les codes et règlements locaux et nationaux et assurez-vous que le produit, son installation et son utilisation obéissent à ces normes.

Certains aspects des exonérations ne s'appliquent pas aux produits de consommation ; p. ex. (a) certaines juridictions n'admettent pas la limitation ou l'exclusion des dommages indirects ou consécutifs, il se peut donc que la limitation ou exclusion ci-dessus ne s'applique pas dans votre cas ; (b) en outre, certaines juridictions n'admettent pas la limitation sur la durée d'une garantie implicite, il se peut donc que la limitation ou exclusion ci-dessus ne s'applique pas dans votre cas ; et (c) selon la loi, pour la période de cette garantie limitée, toute garantie implicite du caractère adéquat pour la commercialisation ou un usage particulier en ce qui concerne les produits de consommation achetés par les consommateurs, ne peut être exclue ou autrement désavouée.

Réparation rapide. Champion fera tous les efforts nécessaires pour effectuer promptement les réparations ou corrections nécessaires en ce qui a trait à tout produit défectueux en dedans les limites de la garantie. Pour tout produit défectueux en dedans les limites de la garantie, veuillez d'abord communiquer avec le distributeur qui vous a vendu le produit, soit par écrit ou par téléphone. Celui-ci vous fournira tous les renseignements nécessaires. S'il est impossible de résoudre le problème de façon satisfaisante, veuillez écrire à W.W. Grainger, Inc. à l'adresse ci-dessous, en fournissant le nom du distributeur, son adresse, et la date et le numéro de la facture, et en incluant une description du problème. Le titre et le risque de perte passent à l'acheteur au moment de la livraison au transporteur public. Si le produit est endommagé en route vers vous, présentez une demande d'indemnité auprès du transporteur.

Fabriqué pour W.W. Grainger, Inc., 5959 W. Howard St., Niles, Illinois 60714 États-Unis

**Pour obtenir des pièces de rechange, veuillez composer
le 1-800-323-0620
24 heures sur 24 et 365 jours par an**

Veuillez avoir sous la main les informations suivantes :

- Le numéro du modèle
- Le numéro de série (s'il en existe un)
- Description de la pièce et son numéro tel qu'indiqué sur la liste des pièces

Faire parvenir toute correspondance concernant les pièces à l'adresse suivante :

Grainger Parts Operations
P.O. Box 3074
1657 Shermer Road
Northbrook, IL 60065-3074 U.S.A.

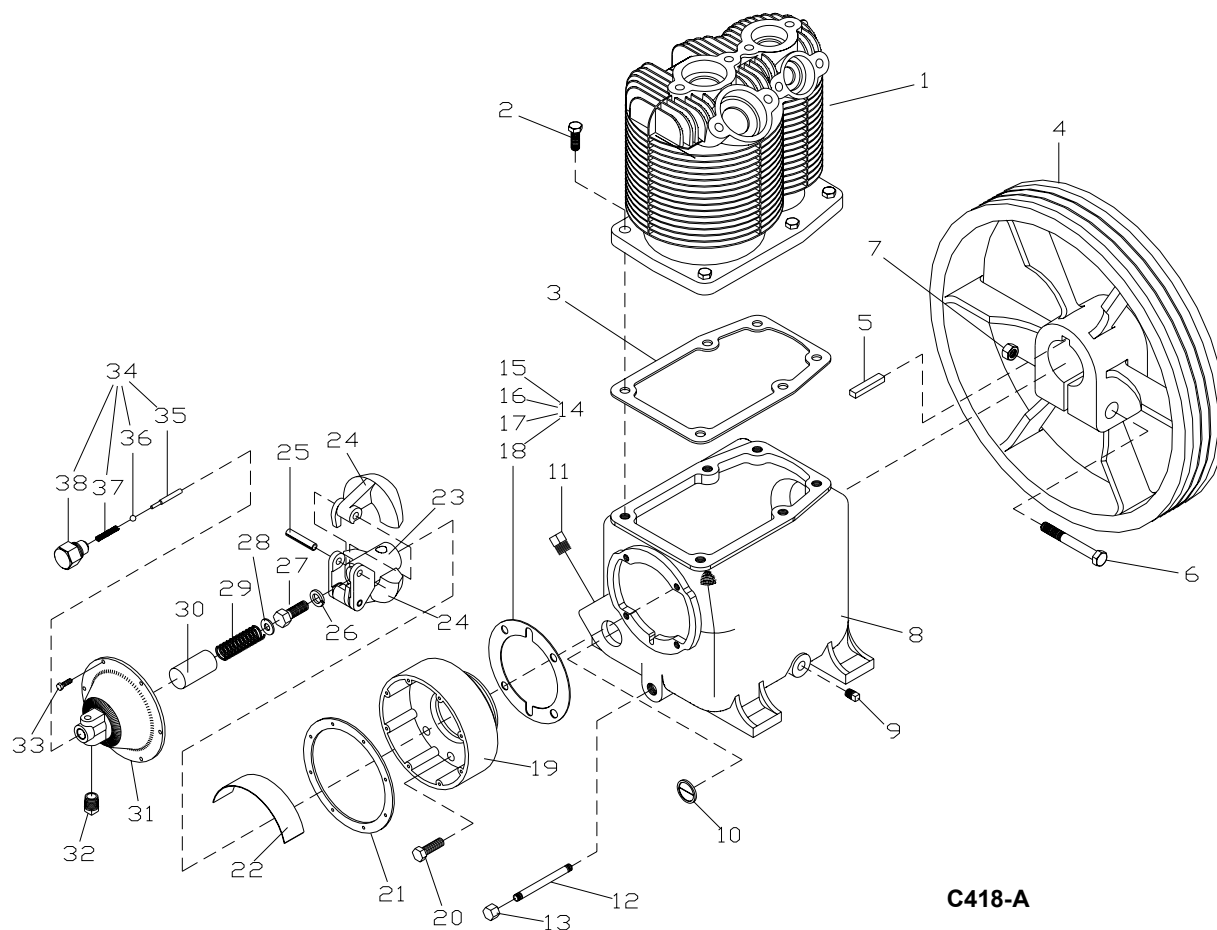


Figure 5 — Illustration des pièces de rechange pour le carter-moteur, les cylindres et l'ensemble centrifuge

Pompes à compression d'air Champion

Liste des pièces de rechange pour le carter-moteur les cylindres et el l'enseble centrifuge

No. de ref.	Description	No. de pièce	Qté	No. de ref.	Description	No. de pièce	Qté
1	Cylindre	P12237D	1	21▲	Joint du couvercle du logement de régulateur	SE1489	1
2	Boulon à tête hexagonale	M2345	6	22	Défecteur du régulateur	NR104	1
3▲	Joint de bride de cylindre	NR29A	1	23	Axe de la masselotte centrifuge du régulateur	SE583B	1
4	Volant	NR7A	1	24	Masselotte centrifuge du régulateur	SE582	2
5	Clé	U8	1	25	Goupille de la masselotte centrifuge du régulateur	SE592A	2
6	Boulon à tête hexagonale	M1915	1	26	Rondelle de blocage du ressort	M466	1
7	Écrou hex	M465	1	27	Boulon à tête hexagonale	M2345	1
8	Carter-moteur	M1820	1	28	Rondelle plate	M912A	1
9	Bouchon fileté	64AA5	1	29	Ressort principal du régulateur	SE590	1
10	Jauge de niveau d'huile	RE714	1	30	Manche du ressort	SE587	1
11	Bouchon fileté (remplissage d'huile)	64A5	1	31	Couvercle du logement de régulateur	RE10100A	1
12	Tuyau de vidange d'huile	M492	1	32	Ensemble du silencieux du réducteur de puissance	Z4593	1
13	Bouchon de vidange d'huile	M461	1	33	Vis à métaux à tête hexagonale	M2400	8
14	Ensemble de joints de logement de régulateur	Z130	1	34	Ensemble de soupape de décharge	Z12414A	1
15▲	Joint de logement de régulateur de 0,8 mm	SE1430	1	35	Plongeur de la soupape de décharge	SE586B	1
16▲	Joint de logement de régulateur de 0,1 mm	SE1430A	1	36	Soupape de décharge à bille	P07841A	1
17▲	Joint de logement de régulateur de 0,3 mm	SE1430B	1	37	Ressort de soupape de décharge	SE591	1
18▲	Joint de logement de régulateur de 0,4 mm	SE1430C	1	38	Corps de soupape de décharge	NR101	1
19	Logement de régulateur	NR80A	1	▲	Ensemble complet de joints de pompe	Z764	1
20	Boulon à tête hexagonale	M2343	4				

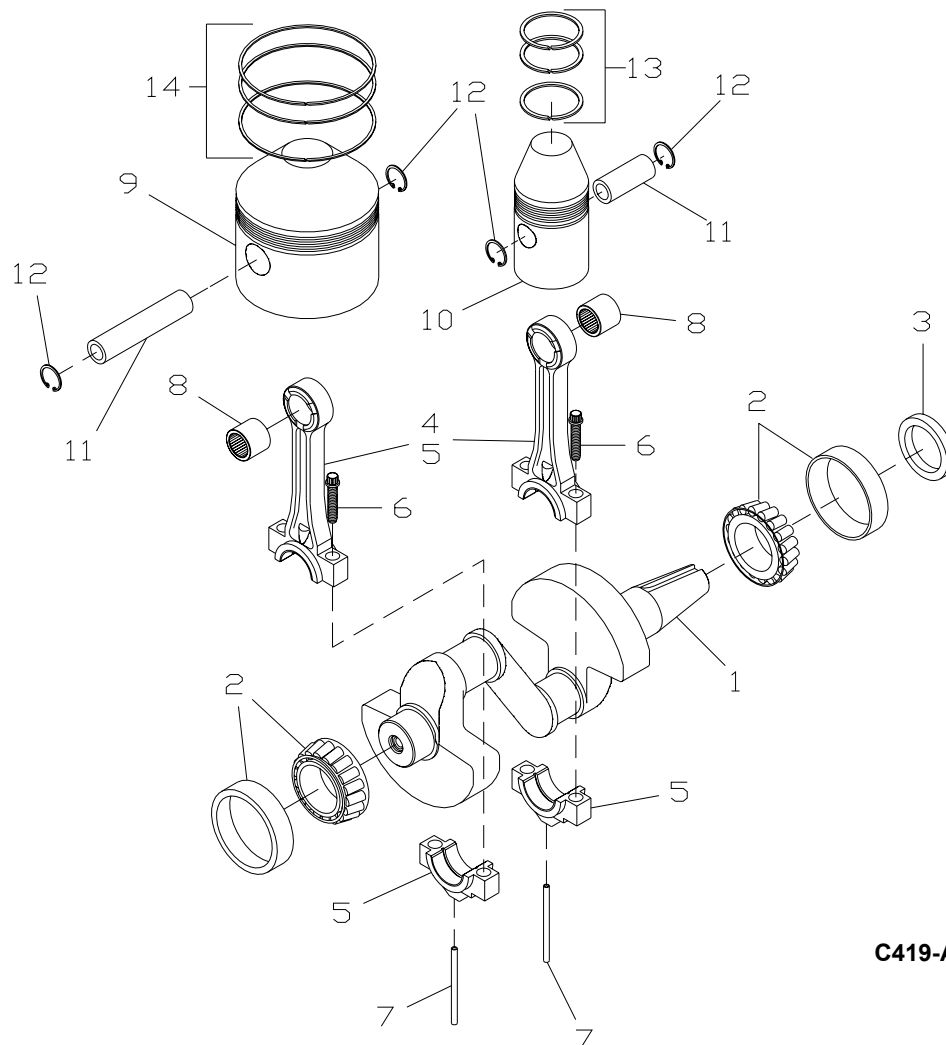
**Pour obtenir des pièces de rechange, veuillez composer
le 1-800-323-0620
24 heures sur 24 et 365 jours par an**

Veuillez avoir sous la main les informations suivantes :

- Le numéro du modèle
- Le numéro de série (s'il en existe un)
- Description de la pièce et son numéro tel qu'indiqué sur la liste des pièces

Faire parvenir toute correspondance concernant les pièces à l'adresse suivante :

Grainger Parts Operations
P.O. Box 3074
1657 Shermer Road
Northbrook, IL 60065-3074 U.S.A.



C419-A

Figure 6 — Illustration des pièces de rechange pour le vilebrequin, les bielles et les pistons

Pompes à compression d'air Champion

Liste des pièces de rechange pour le vilebrequin, les pistons et l'ensemble de la bielle

No. de ref.	Description	No. de pièce	Qté	No. de ref.	Description	No. de pièce	Qté
1	Vilebrequin	R155	1	11●▲	Axe de piston	R1021	2
2	Ensemble du roulement principal	ZNR16	2	12●▲	Bague de retenue d'axe de piston	R10102	4
3	Joint pare-huile	OSN4	1	13●■	Ensemble de segment de piston HP	Z797	1
4	Ensemble de bielle (nos. de réf. 5, 6,7 et 8)	Z750	2	14▲■	Ensemble de segment de piston BP	Z798	1
5	Bielle	*	2	●	Ensemble de piston HP	Z9100	
6	Boulon de bielle	M1583	4	▲	Ensemble de piston BP	Z9101	
7	Aiguille d'huile	R1524	2	■	Ensemble complet de segment de pompe	Z799	
8	Roulement d'axe de piston	R1037	2				
9▲	Piston BP avec goupille	ZR154	1				
10●	Piston HP avec goupille	ZP02709C	1				

* Ne sont pas vendues séparément.

**Pour obtenir des pièces de rechange, veuillez composer
le 1-800-323-0620
24 heures sur 24 et 365 jours par an**

Veuillez avoir sous la main les informations suivantes :

- Le numéro du modèle
- Le numéro de série (s'il en existe un)
- Description de la pièce et son numéro tel qu'indiqué sur la liste des pièces

Faire parvenir toute correspondance concernant les pièces à l'adresse suivante :

Grainger Parts Operations
P.O. Box 3074
1657 Shermer Road
Northbrook, IL 60065-3074 U.S.A.

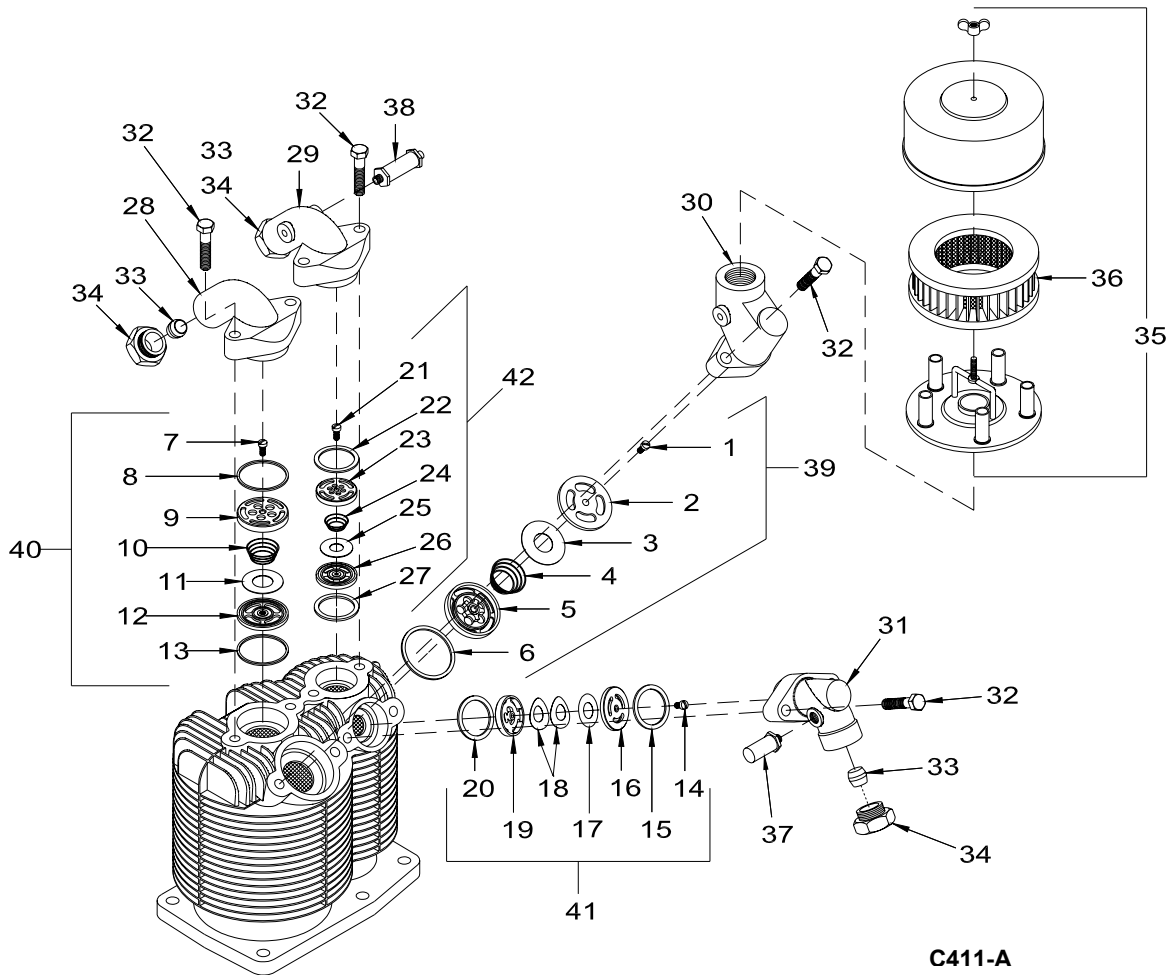


Figure 7 — Illustration des pièces de rechange pour l'ensemble de soupape de cylindre et les ensembles de collecteur d'enclappement.

Pompes à compression d'air Champion

Liste des pièces de rechange pour les soupapes de cylindre et les ensembles de collecteur d'échappement

No. De Ref.	Description	No. De piece	Ote.	No. De Ref.	Description	No. De piece	Ote.
1	Vis à métaux à tête hexagonale	P04544A	1	26	Siège de soupape d'échappement	RE757A	1
2	Siège de soupape d'admission	RE1471A	1	27▲	Joint de soupape	P04137A	1
3	Disque de soupape	RE1470	1	28	Collecteur d'échappement BP	RE102E	1
4	Ressort de soupape	RE1458	1	29	Collecteur d'échappement HP	P12303B	1
5	Cage de soupape d'admission	M2098	1	30	Collecteur d'admission BP	P09669C	1
6▲	Joint de soupape	CQP14832A	1	31	Collecteur d'admission HP	P12302B	1
7	Vis à métaux à tête hexagonale	M3220	1	32	Boulon à tête hexagonale (tous les collecteurs)	P05005A	8
8▲	Joint de soupape	P04135A	1	33	Ferrule	SE542	3
9	Cage de soupape d'échappement	M2099	1	34	Écrou de compression	SE541	3
10	Ressort de soupape d'échappement	RE1059	1	35	Ensemble de filtre d'aspiration	P04999A	1
11	Disque de soupape	RE1061	1	36	Élément du filtre	P05050A	1
12	Siège de soupape d'échappement	M2097	1	37	Soupape de sûreté interétage	CC1009750	1
13	Joint de soupape	P04135A	1	38	Soupape de sûreté	P09704A	1
14	Vis à métaux à tête hexagonale	M3220	1	†39●	Ensemble de soupape d'admission BP	Z812	1
15▲	Joint de soupape	CQP14870A	1	40●	Ensemble de soupape d'échappement tBP	Z813	1
16	Siège de soupape d'admission	P14118B	1	41●	Ensemble de soupape d'échappement HP	Z11937	1
17	Disque de soupape	P13865A	1	42●	Ensemble de soupape d'échappement HP	Z115	1
18	Ressort de soupape	P13866A	1	●	Ensemble complète de soupape avec Joints (comprend les nos. de ref. 39-42 et Z5156)		
19	Cage de soupape d'admission	P14224B	1		Pour le modèle 3Z180C	Z5155	
20	Joint de soupape	P09171A	1		Pour le modèle 3Z181C	Z6795	
21	Vis à métaux à tête hexagonale	M3220	1	▲	Ensemble complet de joints de soupape	Z5156	
22▲	Joint de soupape	CQP14869A	1				
23	Cage de soupape d'admission	M2100	1				
24	Ressort de soupape	RE760	1				
25	Disque de soupape	RE1062	1				

(†) Ces pièces ne sont utilisées que sur le modèle 3Z180C. Reportez-vous à la page 44 pour les pièces utilisées sur le modèle 3Z181C.

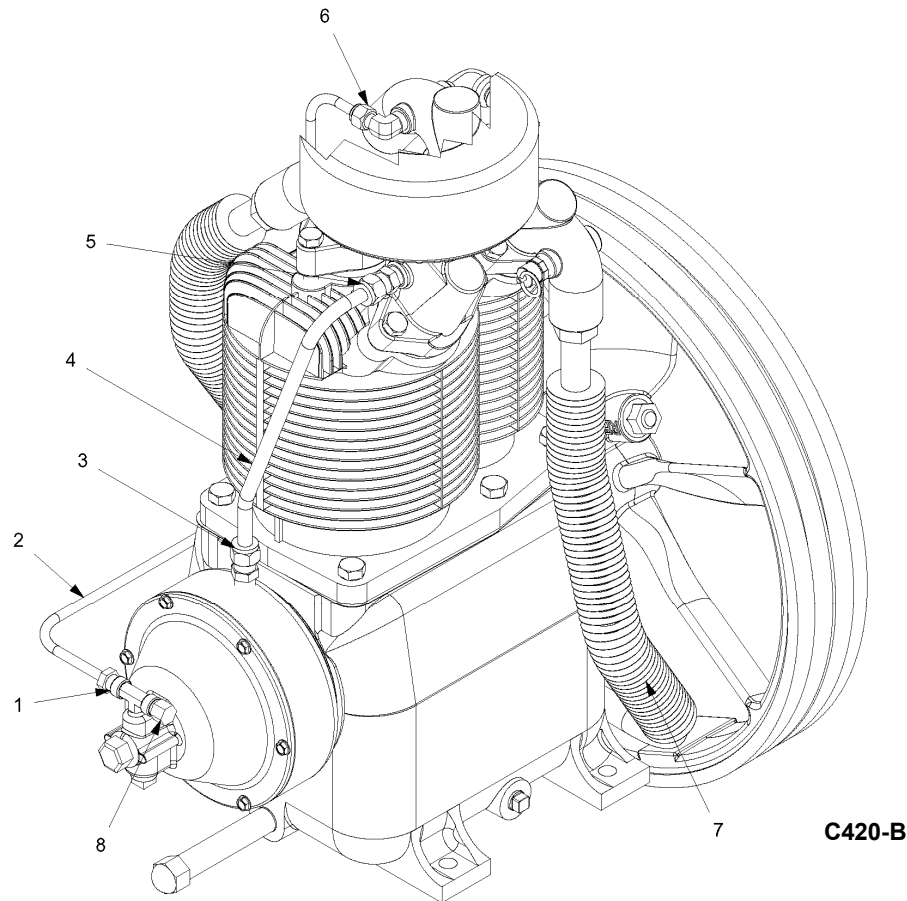
**Pour obtenir des pièces de rechange, veuillez composer
le 1-800-323-0620
24 heures sur 24 et 365 jours par an**

Veuillez avoir sous la main les informations suivantes :

- Le numéro du modèle
- Le numéro de série (s'il en existe un)
- Description de la pièce et son numéro tel qu'indiqué sur la liste des pièces

Faire parvenir toute correspondance concernant les pièces à l'adresse suivante :

Grainger Parts Operations
P.O. Box 3074
1657 Shermer Road
Northbrook, IL 60065-3074 U.S.A.



C420-B

Figure 8 — Illustration des pièces de rechange pour les tubes et raccords

Liste des pièces de rechange pour les tubes et les raccords

No. de réf.	Description	No. de pièce	Qté.
1	Raccord de compression	M2879	1
2	Tube de décharge avec raccords	ZSB250A	1
3	Raccord de compression	M2864	1
4	Tube reniflard avec raccords	ZUB375	1
5	Raccord de compression	M2864	1
6	Raccord de compression	86A40	1
7	Tube de refroidisseur intermédiaire avec raccords	Z9140	1
8	Écrou de compression	VP1061773	1

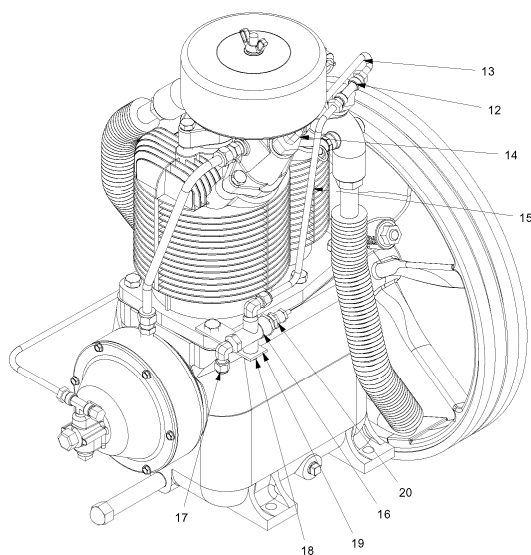
Pour obtenir des pièces de rechange, veuillez composer le 1-800-323-0620 24 heures sur 24 et 365 jours par an

Veuillez avoir sous la main les informations suivantes :

- Le numéro du modèle
- Le numéro de série (s'il en existe un)
- Description de la pièce et son numéro tel qu'indiqué sur la liste des pièces

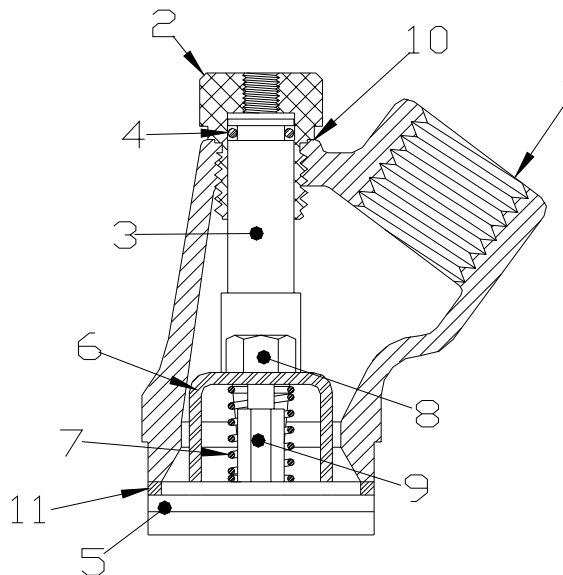
Faire parvenir toute correspondance concernant les pièces à l'adresse suivante :

Grainger Parts Operations
 P.O. Box 3074
 1657 Shermer Road
 Northbrook, IL 60065-3074 U.S.A.



Compresseur avec réducteurs de puissance de tête

C421-B



Collecteur d'admission basse pression et haute pression

C414-A

Figure 9 — Illustration des pièces de rechange pour le modèle 3Z181C

Liste des pièces de rechange pour le modèle 3Z181C

No. De Ref.	Description	No. De piece	Ote.	No. De Ref.	Description	No. De piece	Ote.
1	Collecteur d'admission BP	P09670C	1	10	Joint — HP seulement	P00746A	1
	Collecteur d'admission HP	P12304B	1	11	Joint — HP seulement	P09171A	1
2	Cylindre	P02306B	2	12	Raccird de cinoressuib	M2879	1
3	Piston	P09923A	2	13	Tube de collecteur	Z9172	1
4	Joint torique	P02547A	2	14	Raccird de cinoressuib	M2868	1
5	Soupape d'admission BP	Z4877	1	15	Tube d'actionnement	P12323A	1
	Soupape d'admission HP	Z11938	1	16	Soupape pilote	M2853	1
6	Dent de commande BP	P09085A	1	17	Raccird de cinoressuib	86A40	1
	Dent de commande HP	P14119A	1	18	Boulon à tête hexagonale	M3465	1
7	Ressort BP	P09084A	1	19	Support d montage	M807	1
	Ressort HP	P01882A	1	20	Raccird de compression	M2868	1
8	Écrou hex	P09086A	2	▲	Ensemble de réducteur de puissance de tête (comprend les nos. de réf. 1-20)	Z9144	
9	Tige de guide BP	P09083A	1				
	Tige de guide HP	P09296A	1				

FRANÇAIS



5S1330VER06