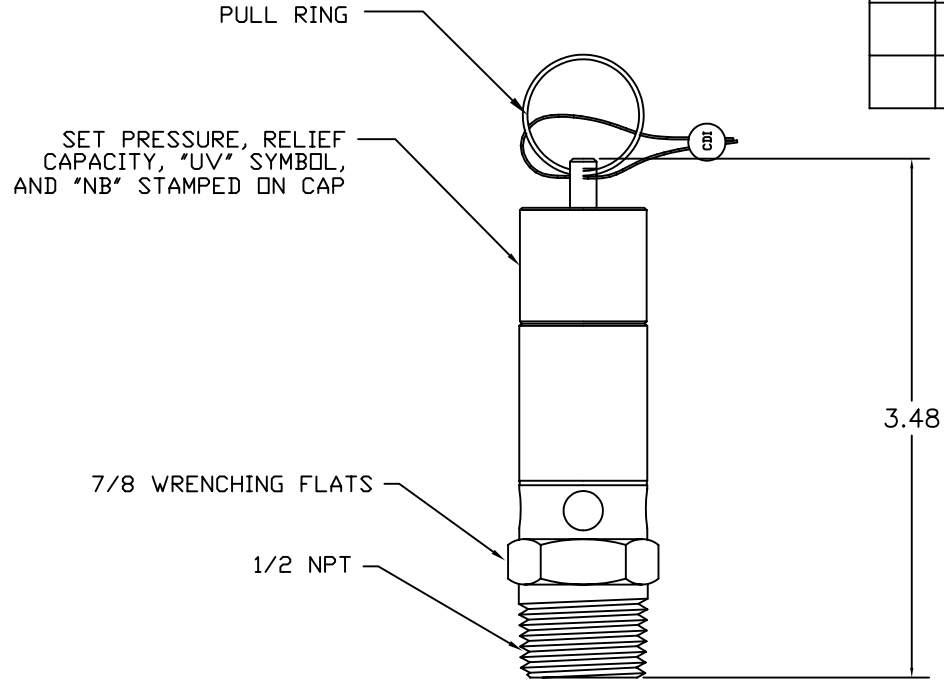


THIS DOCUMENT CONTAINS PROPRIETARY AND CONFIDENTIAL INFORMATION OF CONTROL DEVICES INC. AND MUST BE USED STRICTLY IN ACCORDANCE WITH THE LIMITED PURPOSE FOR WHICH IT WAS SUBMITTED. ANY REPRODUCTION, DISCLOSURE OR USE OF THIS DOCUMENT IS EXPRESSLY PROHIBITED, EXCEPT AS OTHERWISE AGREED IN WRITING.

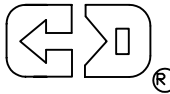
DATE	SYM	REVISION RECORD	ECN NO.	CK.
6/03	A	REDRAWN ON AUTOCAD		



NOTES

1. AVAILABLE SET PRESSURE RANGE 50 TO 350 PSI
2. FLOW CAPACITY IS GIVEN BY EQUATION:
 $Q = (1.75)(1.1P + 14.7)$, WHERE:
 Q = RELIEF CAPACITY IN SCFM, AND
 P = SET PRESSURE IN PSIG
3. MATERIALS OF CONSTRUCTION:
 BODY, NUT, CAP, ADJ. SCREW,
 ROD, DISC -- BRASS
 SPRING -- STAINLESS STEEL
 PULL RING -- STAINLESS STEEL
 BALL -- STAINLESS STEEL BALL
 SEAL -- LEAD
4. MAXIMUM TEMPERATURE 400 DEG. F.

ALL DIMENSIONS ARE IN INCHES.

TOLERANCES (EXCEPT AS NOTED)		 control devices inc. 711 HANLEY INDUSTRIAL COURT ST. LOUIS, MISSOURI 63144			
DECIMAL ± .005	FRACTIONAL ± .015	MATERIAL AS NOTED	SCALE FULL	SIZE A	DRAWN BY pfr
ANGULAR ± 2°	DATE 6/10/03	TITLE ASME SAFETY VALVE			
C:\ACADWIN\PARTDWGS\SN50.DWG		CAD FILE	DRAWING NUMBER SN50		