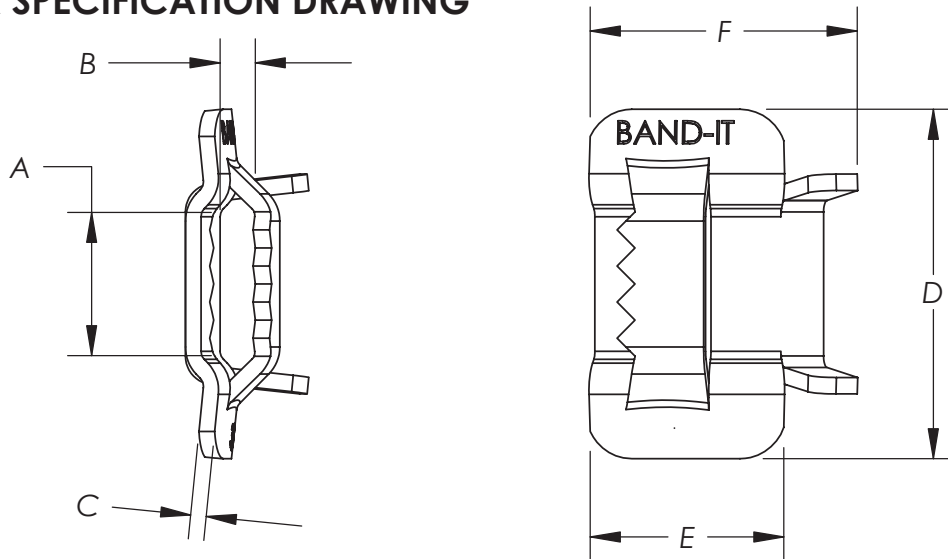


CUSTOMER SPECIFICATION DRAWING



PART NUMBER	MATERIAL ①	A FLAT ±.005	B	C	D ±.02	E ±.02	F ±.005	QTY. PER BOX	WEIGHT PER BOX [LBS.]
GRC453	C	.375	.095/.105	.043±.002	.91	.47	.650	50	.38
GRC253	A	.390	.094/.104	.043±.002	.91	.51	.700	50	.36
GRC254	A	.500	.125/.140	.050±.003	1.27	.74	.930	50	.92
GRC354	B	.500	.125/.140	.054±.003	1.27	.74	.930	50	1.77
GRC454	C	.500	.125/.140	.050±.003	1.27	.74	.930	50	1.01
GRC255	A	.625	.125/.140	.050±.003	1.48	.74	.930	50	1.03
GRC455	C	.625	.130/.140	.050±.003	1.48	.74	.930	50	.86
GRC256	A	.750	.125/.140	.070±.003	1.66	.78	.980	50	1.71
GRC356	B	.750	.125/.140	.068±.003	1.66	.78	.980	50	.93
GRC456	C	.750	.125/.140	.070±.003	1.66	.78	.980	50	1.75

NOTES:



MATERIAL: PER ASTM SPECIFICATION.

A - 201 OR 301 STAINLESS STEEL

B - AISI 1045, 1050, OR 1055 CARBON, ZINC PLATED

C - 316 STAINLESS STEEL

BAND-IT®

A unit of ~~IDEX~~ Corporation
P.O. Box 16307
Denver, Colorado U.S.A.

PROPRIETARY AND CONFIDENTIAL

THIS DRAWING WITH ALL CONTENTS IS PROPERTY OF BAND-IT-IDEX, INC. REPRODUCTION, DISCLOSURE OR MFG. OF MATTER SHOWN IS PROHIBITED WITHOUT WRITTEN PERMISSION. DO NOT SCALE DRAWING. UNLESS OTHERWISE NOTED, DIMENSIONS ARE IN INCHES AFTER FINISH.

TITLE:

BUCKLE, EAR-LOKT,
BOXED/BAGGED

DWG. NO.

GRC25

REV B