

**IMPORTANT:**  
**Read Before Using**

**IMPORTANT :**  
**Lire avant usage**

**IMPORTANTE:**  
**Leer antes de usar**



**Operating/Safety Instructions**

**Consignes de fonctionnement/sécurité**

**Instrucciones de funcionamiento y seguridad**



**11253VSR**

**11255VSR**



**BOSCH**

**Call Toll Free  
for Consumer Information  
& Service Locations**

**Pour renseignement des  
consommateurs et centres  
de service, appelez au  
numéro gratuit :**

**Llame gratis para  
obtener información  
para el consumidor y  
ubicaciones de servicio**

**1-877-BOSCH99 (1-877-267-2499) [www.boschtools.com](http://www.boschtools.com)**

**For English  
See page 2**

**Parlez-vous français?  
Voir page 12**

**¿Habla español?  
Ver página 22**

## General Safety Rules

**⚠ WARNING** Read all instructions. Failure to follow all instructions listed below may result in electric shock, fire and/or serious injury. The term “power tool” in all of the warnings listed below refers to your mains-operated (corded) power tool or battery-operated (cordless) power tool.

### SAVE THESE INSTRUCTIONS

#### Work area safety

**Keep work area clean and well lit.** Cluttered or dark areas invite accidents.

**Do not operate power tools in explosive atmospheres, such as in the presence of flammable liquids, gases or dust.** Power tools create sparks which may ignite the dust or fumes.

**Keep children and bystanders away while operating a power tool.** Distractions can cause you to lose control.

#### Electrical safety

**Power tool plugs must match the outlet. Never modify the plug in any way. Do not use any adapter plugs with earthed (grounded) power tools.** Unmodified plugs and matching outlets will reduce risk of electric shock.

**Avoid body contact with earthed or grounded surfaces such as pipes, radiators, ranges and refrigerators.** There is an increased risk of electric shock if your body is earthed or grounded.

**Do not expose power tools to rain or wet conditions.** Water entering a power tool will increase the risk of electric shock.

**Do not abuse the cord. Never use the cord for carrying, pulling or unplugging the power tool. Keep cord away from heat, oil, sharp edges or moving parts.** Damaged or entangled cords increase the risk of electric shock.

**When operating a power tool outdoors, use an extension cord suitable for outdoor use.** Use of a cord suitable for outdoor use reduces the risk of electric shock.

**Do not use AC only rated tools with a DC power supply.** While the tool may appear to work, the electrical components of the AC rated tool are likely to fail and create a hazard to the operator.

**If operating the power tool in damp locations is unavoidable a Ground Fault Circuit Interrupter (GFCI) must be used to supply the power to your tool.** GFCI and personal protection devices like electrician's rubber gloves and footwear will further enhance your personal safety.

#### Personal safety

**Stay alert, watch what you are doing and use common sense when operating a power tool. Do not use a power tool while you are tired or under the influence of drugs, alcohol or medication.** A moment of inattention while operating power tools may result in serious personal injury.

**Use safety equipment. Always wear eye protection.** Safety equipment such as dust mask, non-skid safety shoes, hard hat, or hearing protection used for appropriate conditions will reduce personal injuries.

**Avoid accidental starting. Ensure the switch is in the off-position before plugging in.** Carrying power tools with your finger on the switch or plugging in power tools that have the switch on invites accidents.

**Remove any adjusting key or wrench before turning the power tool on.** A wrench or a key left attached to a rotating part of the power tool may result in personal injury.

**Do not overreach. Keep proper footing and balance at all times.** This enables better control of the power tool in unexpected situations.

**Dress properly. Do not wear loose clothing or jewelry. Keep your hair, clothing and gloves away from moving parts.** Loose clothes, jewelry or long hair can be caught in moving parts.

**If devices are provided for the connection of dust extraction and collection facilities, ensure these are connected and properly used.** Use of these devices can reduce dust-related hazards.

**Keep handles dry, clean and free from oil and grease.** Slippery hands cannot safely control the power tool.

### **Power tool use and care**

**Do not force the power tool. Use the correct power tool for your application.**

The correct power tool will do the job better and safer at the rate for which it was designed.

**Do not use the power tool if the switch does not turn it on and off.** Any power tool that cannot be controlled with the switch is dangerous and must be repaired.

**Disconnect the plug from the power source and/or the battery pack from the power tool before making any adjustments, changing accessories, or storing power tools.** Such preventive safety measures reduce the risk of starting the power tool accidentally.

**Store idle power tools out of the reach of children and do not allow persons unfamiliar with the power tool or these instructions to operate the power tool.**

Power tools are dangerous in the hands of untrained users.

**Maintain power tools. Check for misalignment or binding of moving parts, breakage of parts and any other condition that may affect the power tools operation. If damaged, have the power tool repaired before use.** Many accidents are caused by poorly maintained power tools.

**Keep cutting tools sharp and clean.**

Properly maintained cutting tools with sharp cutting edges are less likely to bind and are easier to control.

**Use the power tool, accessories and tool bits etc., in accordance with these instructions and in the manner intended for the particular type of power tool, taking into account the working conditions and the work to be performed.**

Use of the power tool for operations different from those intended could result in a hazardous situation.

**Use clamps or other practical way to secure and support the workpiece to a stable platform.** Holding the work by hand or against your body is unstable and may lead to loss of control.

### **Service**

**Have your power tool serviced by a qualified repair person using only identical replacement parts.** This will ensure that the safety of the power tool is maintained.

**Develop a periodic maintenance schedule for your tool. When cleaning a tool be careful not to disassemble any portion of the tool since internal wires may be misplaced or pinched or safety guard return springs may be improperly mounted.** Certain cleaning agents such as gasoline, carbon tetrachloride, ammonia, etc. may damage plastic parts.

## **Rotary Hammer Safety Rules**

**Hold tools by insulated gripping surfaces when performing an operation where the cutting tool may contact hidden wiring or its own cord.** Contact with a "live" wire will make exposed metal parts of the tool "live" and shock the operator.

**Use clamps or other practical way to secure and support the workpiece to a stable platform.** Holding the work by hand or against your body is unstable and may lead to loss of control.

Do not drill, fasten or break into existing walls or other blind areas where electrical wiring may exist. If this situation is unavoidable, disconnect all fuses or circuit breakers feeding this worksite.

**Wear ear protectors when using the tool for extended periods.** Prolonged exposure to high intensity noise can cause hearing loss.

**Use a metal detector to determine if there are gas or water pipes hidden in the work area or call the local utility company for assistance before beginning the operation.** Striking or cutting into a gas line will result in explosion. Water entering an electrical device may cause electrocution.

**Always use the side handle for maximum control over torque reaction or kick-back. Never attempt to operate this tool with one hand.** The slip clutch engages if you firmly control the tool during a torque reaction or kickback.

**Always wear safety goggles or eye protection when using this tool. Use a dust mask or respirator for applications which generate dust.** Safety goggles or eye protection will help deflect fragments of the material that may be thrown toward your face and eyes. Dust generated or gases released from the material you are cutting (i.e. asbestos insulated pipes, radon) may cause respiratory difficulties.

**Use thick cushioned gloves and limit the exposure time by taking frequent rest periods.** Vibration caused by hammer-drill action may be harmful to your hands and arms.

**Position the cord clear of rotating bit. Do not wrap the cord around your arm or wrist.** If cord becomes entangled with the spinning bit it could entrap you causing serious personal injury.

**Position yourself to avoid being caught between the tool or side handle and walls or posts.** Should the bit become bound or jammed in the work, the reaction torque of the tool could crush your hand or leg.

**Do not strike the bit with a handheld hammer or sledge hammer when attempting to dislodge a bound or jammed bit.** Fragments of metal from the bit could dislodge and strike you or bystanders.

**Never place the tool down until the bit or accessory have come to a complete stop.**

**Do not use dull or damaged bits and accessories.** Dull or damaged bits have a greater tendency to bind in the workpiece.

**When removing the bit from the tool avoid contact with skin and use proper protective gloves when grasping the bit or accessory.** Accessories may be hot after prolonged use.

**Do not run the tool while carrying it at your side.** The spinning drill bit may become entangled with clothing and injury may result.

**⚠ WARNING** Some dust created by power sanding, sawing, grinding, drilling, and other construction activities contains chemicals known to cause cancer, birth defects or other reproductive harm. Some examples of these chemicals are:

- Lead from lead-based paints,
- Crystalline silica from bricks and cement and other masonry products, and
- Arsenic and chromium from chemically-treated lumber.

Your risk from these exposures varies, depending on how often you do this type of work. To reduce your exposure to these chemicals: work in a well ventilated area, and work with approved safety equipment, such as those dust masks that are specially designed to filter out microscopic particles.

## Symbols

**IMPORTANT:** Some of the following symbols may be used on your tool. Please study them and learn their meaning. Proper interpretation of these symbols will allow you to operate the tool better and safer.

Symbol	Name	Designation/Explanation
V	Volts	Voltage (potential)
A	Amperes	Current
Hz	Hertz	Frequency (cycles per second)
W	Watt	Power
kg	Kilograms	Weight
min	Minutes	Time
s	Seconds	Time
∅	Diameter	Size of drill bits, grinding wheels, etc.
n <sub>0</sub>	No load speed	Rotational speed, at no load
.../min	Revolutions or reciprocation per minute	Revolutions, strokes, surface speed, orbits etc. per minute
0	Off position	Zero speed, zero torque...
1, 2, 3, ... I, II, III,	Selector settings	Speed, torque or position settings. Higher number means greater speed
	Infinitely variable selector with off	Speed is increasing from 0 setting
	Arrow	Action in the direction of arrow
	Alternating current	Type or a characteristic of current
	Direct current	Type or a characteristic of current
	Alternating or direct current	Type or a characteristic of current
	Class II construction	Designates Double Insulated Construction tools.
	Earthing terminal	Grounding terminal
	Warning symbol	Alerts user to warning messages
	Ni-Cad RBRC seal	Designates Ni-Cad battery recycling program



This symbol designates that this tool is listed by Underwriters Laboratories.



This symbol designates that this tool is listed to Canadian Standards by Underwriters Laboratories.



This symbol designates that this tool complies to NOM Mexican Standards.



This symbol designates that this tool is listed by the Canadian Standards Association.

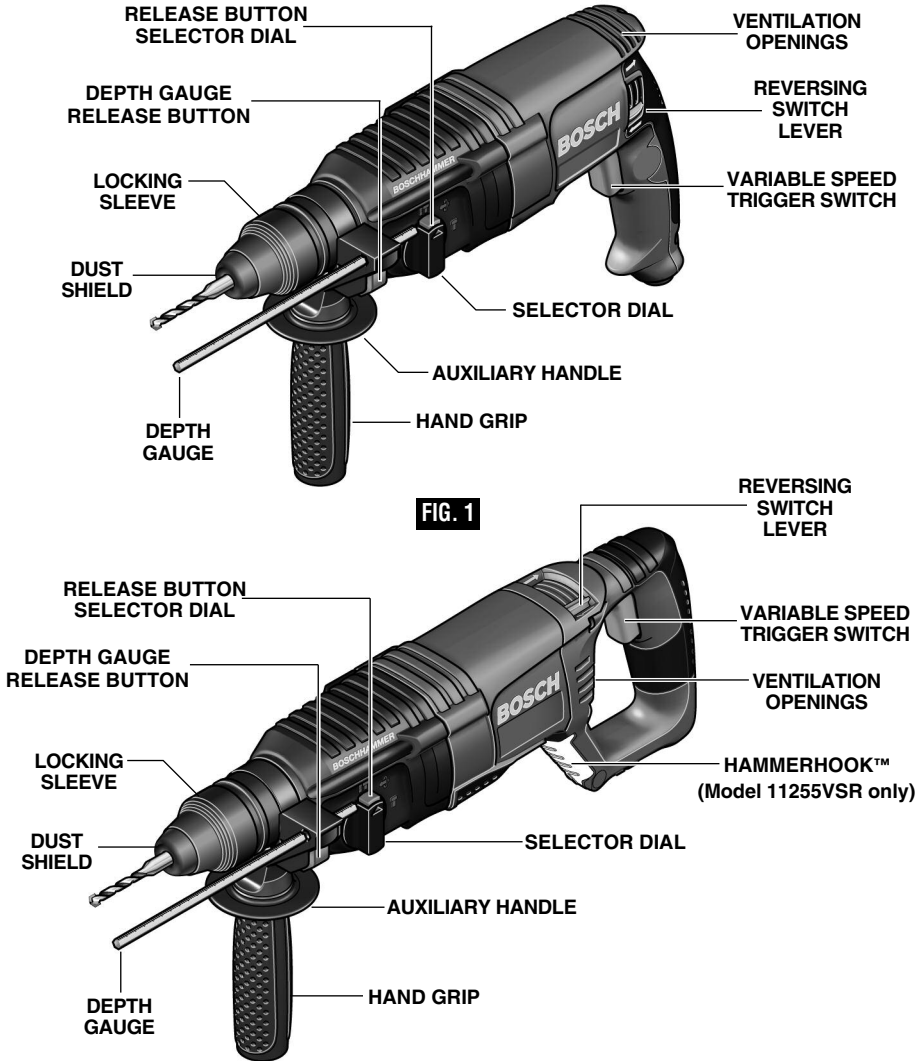


This symbol designates that this tool is listed by Underwriters Laboratories, and listed to Canadian Standards by Underwriters Laboratories.

## Functional Description and Specifications

**WARNING** Disconnect the plug from the power source before making any assembly, adjustments or changing accessories. Such preventive safety measures reduce the risk of starting the tool accidentally.

### Rotary Hammer



Model number	11253VSR	11255VSR
Shank style	SDS-plus®	SDS-plus®
<b>Maximum Capacities:</b>		
Carbide tipped bits	1"	1"
Thin wall core bits	2-5/8"	2-5/8"

**NOTE:** For tool specifications refer to the nameplate on your tool.

## Operating Instructions

### VARIABLE SPEED CONTROLLED TRIGGER SWITCH

Your tool is equipped with a variable speed trigger switch. The tool speed can be controlled from the minimum to the maximum nameplate RPM by the pressure you apply to the trigger. Apply more pressure to increase the speed and release pressure to decrease speed. This accurate speed control enables you to drill without center punching. It also permits you to use as a power screwdriver. Bits are available for driving screws as well as running bolts and nuts.

### REVERSING SWITCH LEVER

This tool is equipped with a rotating brush reversing system. This results in longer brush life while maximizing power in both forward and reverse directions. The reverse switch can be operated from either the right or left side of the tool.

FOR FORWARD ROTATION: slide switch to arrow marked forward (Fig. 1).

FOR REVERSE ROTATION: slide the slide switch to arrow marked reverse. NOTE: Tool will not operate in middle position.

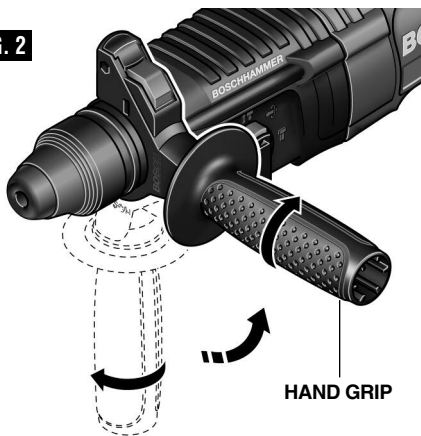
### SLIP CLUTCH

The tool has an internal preset clutch. The clutch is set such that sufficient force is transmitted to the bit for most drilling conditions but it will slip when bit binds in the hole or the tool is overloaded. Be aware that due to required clutch setting, you may experience a torque reaction an instant before the clutch slips. This torque reaction will twist the body of the rotary hammer in the opposite direction as the bit rotates, i.e., counterclockwise. As clutch is slipping, the bit will most likely stop rotating. When the binding force on the bit is removed the clutch automatically resets. If you experience bit binding and clutch begins to slip, immediately turn the tool "OFF" and correct the condition leading to the bit binding.

### AUXILIARY HANDLE

The tool must be supported with the auxiliary handle, which can be swiveled 360°. To reposition and/or swivel the handle, loosen the hand grip, move the handle to the desired position along the barrel and securely retighten the hand grip (Fig. 2).

FIG. 2



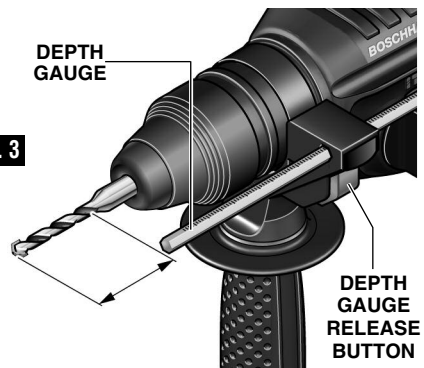
### DEPTH GAUGE

Your drilling depth can be pre-set and/or repeated by using the depth gauge.

Setting depth: After the auxiliary handle is installed, make sure the accessory has been fully inserted into the tool holder before setting the depth gauge (Fig. 3).

To adjust depth, push the depth gauge release button, slide the depth gauge to desired depth and release pressure on button to lock the depth gauge in place.

FIG. 3



### SELECTOR DIAL

The selector dial allows the tool to be set for various drilling/hammer drilling applications. Depress release button and turn selector dial right or left depending on the below applications.

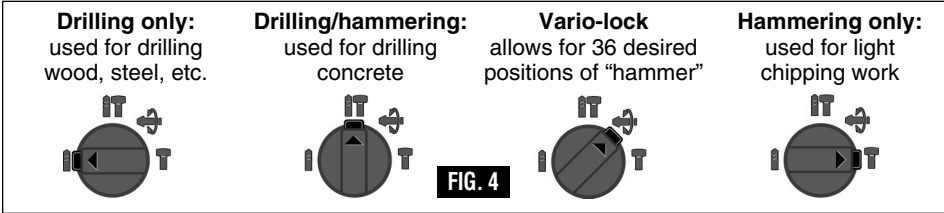
When using demolition or chipping bits such as bull points, chisels, spades, gouges, etc. the "Hammer Only" mode must be selected.

**CAUTION** Do not operate the selection dial until the tool come to a complete stop. Shifting during rotation of the chuck can cause damage to the tool.

### SELECTOR DIAL - "VARIO-LOCK"

Adjusting the Vario-Lock: The vario-lock can be set in any one of thirty-six (10° increments) positions. Choose a position which is best suited for your operation.

Depress release button and turn the selector dial, to the "vario-lock" setting. Next, rotate the locking sleeve, along with the accessory, to the desired position. Then turn the selector dial to the "hammer only" setting and slightly turn the locking sleeve to have it automatically lock into a definite position.



### INSTALLING ACCESSORIES

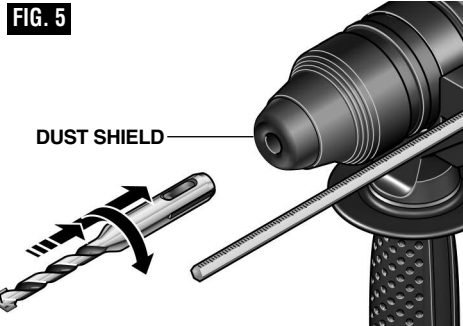
**WARNING** Disconnect the plug from the power source before making any assembly, adjustments or changing accessories. Such preventive safety measures reduce the risk of starting the tool accidentally.

The 11253VSR and 11255VSR Rotary Hammers utilize "SDS-plus" drill bits. The "SDS-plus" system efficiently transfers drilling torque and maximizes the energy delivered per hammer blow.

Clean the insert shank end of the accessory to remove any debris, then lightly grease with a light oil or lubricant.

Insert accessory into the tool holder through the dust shield, while twisting and pushing

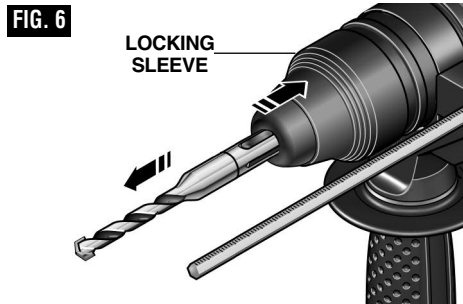
inward until it locks automatically into place. Pull outward on the accessory to be certain it is locked into the tool holder (Fig. 5).



### REMOVING ACCESSORIES

**WARNING** When removing the bit from the tool avoid contact with skin and use proper protective gloves when grasping the bit or accessory. Accessories may be hot after prolonged use.

To remove an accessory, pull the locking sleeve backwards (towards the rear of tool), while pulling the accessory outward. All accessories should be wiped clean after removing (Fig. 6).





**HAMMERHOOK™ (Model 11255VSR only)**

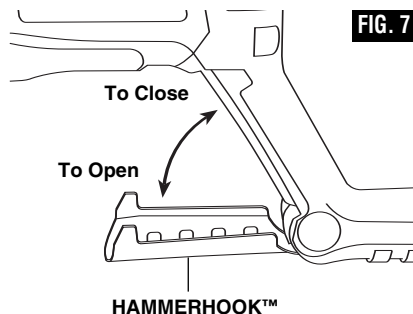
Your tool is equipped with a convenient hook for hanging your tool. To use, simply open hook until it snaps into the open position (Fig. 7).

**When using the HAMMERHOOK™ always be aware that the accessory is exposed.** Always hang the tool in an area where yourself and bystanders can not accidentally make contact with the accessory.

**WARNING** To reduce the risk of injury, use care in selecting the location for hanging the tool.

- Select a suitably sized and shaped object that will provide adequate hanging stability. An unstable hanging surface could result in the tool unexpectedly falling.
- Insure that the tool is hung out of the way of walkways and working areas with bystanders. The tool could be bumped or a bystander could become entangled in the power supply cord causing the tool to unexpectedly fall.

**WARNING** To reduce the risk of injury, Do not use the hanging hook if it appears damaged or deformed. This could result in unstable hanging and the tool unexpectedly falling.



**FIG. 7**



When not in use, always close hook until it snaps into the closed position.

**TOOL TIPS**

Following a few simple tips will reduce wear on the tool and the chance of injury to the operator.

**NOTE:** The high efficiency available from the rotary hammers can only be obtained if sharp and undamaged accessories are used. The “cost” to maintain sharp and undamaged accessories is more than offset by the “time saved” in operating the tool with sharp accessories.

All hammers require a short period of time to warm up. Depending on the room temperature, this time may vary from approximately 15 seconds (90°F) to 2 minutes (32°F). A new hammer requires a break-in period before full performance is realized. This period may require up to 5 hours of operation.

**Carbide tipped bits:** Used for drilling stone, concrete, cement, brick, cinder block and other unusually hard non-metals. The Rotary Hammer is designed for “SDS” Carbide Tipped Bits up to 3/4 inch diameter.

**3 JAW CHUCK**

The 3 Jaw Chuck with SDS Shank Adaptor accessory can convert your tool for use with straight shank bits.

You will extend the life of your bits and do neater work if you always put the bit in contact with the workpiece **BEFORE** pulling the trigger. During operation, hold the drill firmly and exert moderate, steady pressure. Too much pressure at low speed will stall the hammer. Too little pressure will keep the bit from cutting and cause excess friction by sliding over the surface. This can be damaging to the drill and bit.

Shanks of all drill bits should be wiped clean prior to using and immediately after removing.

**Recall these instructions for safe operation:**

1. Some materials require slow drilling speeds; whereas, others require higher speed to produce the best results.
2. All work must be supported or secured before drilling and steady, even pressure applied in line with the drill bit.
3. As the drill bit cuts through the opposite side, reduce the pressure and continue running the drill as the bit is withdrawn.

Materials such as glass, porcelain, ceramics, tiles, plastics, etc., should be drilled at low speeds with specially designed drill bits and lubricants.

### DRILLING WOOD OR PLASTIC

If backing block is not used, ease up on the pressure just before the bit breaks through the wood to avoid splintering. Complete the hole from the opposite side immediately after the point breaks through. If bit binds, reverse the drilling operation to help remove the bit from the work.

### DRILLING METAL

There are two rules for drilling hard materials. First, the harder the material, the greater the pressure you need to apply to the tool. Second, the harder the material, the slower the speed. Here are a couple of tips for drilling in metal. Make a center punch in the material for easier starting. Lubricate the tip of the bit occasionally with cutting oil except when drilling

soft metals such as aluminum, copper or cast iron. If the hole to be drilled is fairly large, drill a smaller hole first, then enlarge to the required size, it's often faster in the long run. Maintain enough pressure to assure that the bit does not just spin in the hole. This will dull the bit and greatly shorten its life.

### DRILLING MASONRY

Use carbide-tipped masonry bit for cinder block, mortar, common brick, soft stone and other materials. The amount of pressure to be used is dependent upon the type of material being drilled. Soft materials require less pressure while the hard materials need more pressure to prevent the drill bit from spinning.

## Maintenance

**⚠ WARNING** **Service Preventive maintenance performed by unauthorized personnel may result in misplacing of internal wires and components which could cause serious hazard.** We recommend that all tool service be performed by a Bosch Factory Service Center or Authorized Bosch Service Station.

### TOOL LUBRICATION

Your Bosch tool has been properly lubricated and is ready to use. It is recommended that tools with gears be regreased with a special gear lubricant at every brush change.

### CARBON BRUSHES

The brushes and commutator in your tool have been engineered for many hours of dependable service. To maintain peak efficiency of the motor, we recommend every two to six months the brushes be examined. Only genuine Bosch replacement brushes specially designed for your tool should be used.

### BEARINGS

After about 300-400 hours of operation, or at every second brush change, the bearings

should be replaced at Bosch Factory Service Center or Authorized Bosch Service Station. Bearings which become noisy (due to heavy load or very abrasive material cutting) should be replaced at once to avoid overheating or motor failure.

### Cleaning

**⚠ WARNING** **To avoid accidents always disconnect the tool from the power supply before cleaning or performing any maintenance.** The tool may be cleaned most effectively with compressed dry air. **Always wear safety goggles when cleaning tools with compressed air.**

Ventilation openings and switch levers must be kept clean and free of foreign matter. Do not attempt to clean by inserting pointed objects through openings.

**⚠ CAUTION** **Certain cleaning agents and solvents damage plastic parts.** Some of these are: gasoline, carbon tetrachloride, chlorinated cleaning solvents, ammonia and household detergents that contain ammonia.

## Accessories

**⚠ WARNING** If an extension cord is necessary, a cord with adequate size conductors that is capable of carrying the current necessary for your tool must be used. This will prevent excessive voltage drop, loss of power or overheating. Grounded tools must use 3-wire extension cords that have 3-prong plugs and receptacles.

**NOTE:** The smaller the gauge number, the heavier the cord.

### RECOMMENDED SIZES OF EXTENSION CORDS 120 VOLT ALTERNATING CURRENT TOOLS

Tool's Ampere Rating	Cord Size in A.W.G.				Wire Sizes in mm <sup>2</sup>			
	Cord Length in Feet				Cord Length in Meters			
	25	50	100	150	15	30	60	120
3-6	18	16	16	14	0.75	0.75	1.5	2.5
6-8	18	16	14	12	0.75	1.0	2.5	4.0
8-10	18	16	14	12	0.75	1.0	2.5	4.0
10-12	16	16	14	12	1.0	2.5	4.0	—
12-16	14	12	—	—	—	—	—	—

- \* 360° Auxiliary Handle
- \* Depth Gauge
- \* Carrying Case
- \*\* 3-Jaw Chuck
- \*\* Straight Chuck SDS Adaptor

(\* = standard equipment)  
(\*\* = optional accessories)

## Consignes générales de sécurité

**⚠ AVERTISSEMENT** Veuillez lire et comprendre toutes les consignes. Si on n'observe pas toutes les consignes décrites ci-dessous, il y a risque de choc électrique, d'incendie et/ou de blessures corporelles graves. Dans toutes les mises en garde ci-dessous, le terme « outil électroportatif » se rapporte à des outils branchés sur le secteur (avec fil) ou à des outils alimentés par piles (sans fil).

### CONSERVEZ CES CONSIGNES

#### Sécurité du lieu de travail

**Maintenez le lieu de travail propre et bien éclairé.** Les risques d'accident sont plus élevés quand on travaille dans un endroit encombré ou sombre.

**N'utilisez pas d'outils électroportatifs dans des atmosphères explosives, comme par exemple en présence de gaz, de poussières ou de liquides inflammables.** Les outils électroportatifs produisent des étincelles qui risquent d'enflammer les poussières ou les vapeurs.

**Éloignez les enfants et les visiteurs quand vous vous servez d'un outil électroportatif.** Vous risquez une perte de contrôle si on vous distrait.

#### Sécurité électrique

**Les fiches des outils électroportatifs doivent correspondre à la prise. Il ne faut absolument jamais modifier la fiche. N'utilisez pas d'adaptateur de prise avec des outils électroportatifs munis d'une fiche de terre.** Le risque de choc électrique est moindre si on utilise une fiche non modifiée sur une prise qui lui correspond.

**Évitez tout contact du corps avec des surfaces reliées à la terre tels que tuyaux, radiateurs, gazinières ou réfrigérateurs.** Le risque de choc électrique augmente si votre corps est relié à la terre.

**N'exposez pas les outils électroportatifs à la pluie ou à l'humidité.** Si de l'eau pénètre dans un outil électroportatif, le risque de choc électrique augmente.

**Ne maltraitez pas le cordon. Ne vous en servez jamais pour transporter l'outil électroportatif, pour le tirer ou pour le débrancher. Éloignez le cordon de la chaleur, des huiles, des arêtes coupantes ou des pièces mobiles.** Les cordons abîmés ou emmêlés augmentent les risques de choc électrique.

**Si vous utilisez un outil électroportatif à l'extérieur, employez une rallonge conçue pour l'extérieur.** Ces rallonges sont faites pour l'extérieur et réduisent le risque de choc électrique.

**N'utilisez pas un outil conçu uniquement pour le C.A. sur une alimentation en C.C.** Même si l'outil semble fonctionner, les composants électriques d'un outil prévu pour le C.A. tomberont probablement en panne et risquent de créer un danger pour l'utilisateur.

**S'il est nécessaire d'utiliser l'outil dans un lieu humide, il faut l'alimenter par l'intermédiaire d'un disjoncteur différentiel de fuite à la terre (DDFT).**

L'emploi d'un DDFT et de dispositifs de protection personnelle tels que gants et chaussures d'électricien en caoutchouc améliorent votre sécurité personnelle.

#### Sécurité personnelle

**Restez concentré, faites attention à ce que vous faites, et servez-vous de votre bon sens lorsque vous utilisez un outil électroportatif. N'employez pas d'outils électroportatifs quand vous êtes fatigué ou sous l'emprise de drogues, d'alcool ou de médicaments.** Quand on utilise des outils électroportatifs, il suffit d'un moment d'inattention pour causer des blessures corporelles graves.

**Utilisez des équipements de sécurité. Portez toujours une protection oculaire.** Si les conditions le demandent, il faut porter un masque à poussière, des chaussures de sécurité antidérapantes, un casque de chantier ou une protection auditive pour réduire le risque de blessure corporelle.

**Évitez les démarrages intempestifs. Assurez-vous que l'interrupteur est en position arrêt (OFF) avant de brancher l'outil.** Transporter un outil électroportatif avec le doigt sur la gâchette ou le brancher quand l'interrupteur est en position "marche" (ON) présente des risques d'accident.

**Enlevez toutes les clés de réglage avant de mettre l'outil électroportatif en marche.** Si on laisse une clé sur une pièce tournante de l'outil électroportatif, il y a risque de blessure corporelle.

**Ne vous penchez pas. Conservez toujours une bonne assise et un bon équilibre.** Ceci vous permettra de mieux maîtriser l'outil électroportatif dans des situations inattendues.

**Habillez-vous de manière appropriée. Ne portez pas de vêtements amples ou de bijoux. Attachez les cheveux longs. N'approchez pas les cheveux, les vêtements ou les gants des pièces en mouvement.** Les vêtements amples, les bijoux ou les cheveux longs risquent d'être happés par les pièces en mouvement.

**Si l'outil est muni de dispositifs permettant le raccordement d'un système d'aspiration et de collecte des poussières, assurez-vous que ces dispositifs sont raccordés et utilisés correctement.** L'utilisation de ces dispositifs peut permettre de réduire les dangers liés à la poussière.

**Maintenez les poignées sèches et exemptes d'huile et de graisse.** On ne peut pas maîtriser un outil électroportatif en toute sécurité quand on a les mains glissantes.

## Utilisation et entretien des outils électroportatifs

**Ne forcez pas sur l'outil électroportatif. Utilisez l'outil électroportatif qui convient à la tâche à effectuer.**

L'outil qui convient à la tâche fait un meilleur travail et est plus sûr à la vitesse pour lequel il a été conçu.

**Ne vous servez pas de l'outil électroportatif si son interrupteur ne parvient pas à le mettre en marche ou à l'arrêter.** Tout outil électroportatif qui ne peut pas être commandé par son interrupteur est dangereux et doit être réparé.

**Débranchez la fiche de la prise ou enlevez le bloc-pile de l'outil électroportatif avant tout réglage, changement d'accessoires ou avant de ranger l'outil électroportatif.** De telles mesures de sécurité préventive réduisent le risque de démarrage intempestif de l'outil électroportatif.

**Rangez les outils électroportatifs dont vous ne vous servez pas hors de portée des enfants et ne permettez pas à des personnes qui ne connaissent pas l'outil électroportatif ou qui ignorent ces consignes de s'en servir.** Les outils électroportatifs sont dangereux dans les mains d'utilisateurs inexpérimentés.

**Entretenez les outils électroportatifs. Vérifiez que les pièces mobiles sont alignées correctement et ne coincent pas. Vérifiez qu'il n'y a pas de pièces cassées ou d'autre circonstance qui risquent d'affecter le fonctionnement de l'outil électroportatif. Si l'outil est abîmé, faites-le réparer avant de l'utiliser.** De nombreux accidents sont causés par des outils électroportatifs mal entretenus.

**Maintenez les outils coupants affûtés et propres.** Les outils coupants entretenus correctement et dotés de bords tranchants affûtés sont moins susceptibles de coincer et sont plus faciles à maîtriser.

**Utilisez l'outil électroportatif, les accessoires, les embouts etc. selon ces consignes et de la manière prévue pour chaque type particulier d'outil électroportatif en tenant compte des conditions de travail et de la tâche à accomplir.** L'emploi d'outils électroportatifs pour des tâches différentes de celles pour lesquelles ils ont été prévus peut résulter en une situation dangereuse.

**Utilisez des brides ou d'autres moyens pratiques de brider ou de supporter la pièce sur une plate-forme stable.** Tenir la pièce à la main ou contre le corps est instable et risque de résulter en une perte de contrôle.

### Entretien

**Faites réparer votre outil électroportatif par un agent de service qualifié n'utilisant que des pièces de rechange identiques.** Ceci assure que la sécurité de l'outil électroportatif est préservée.

**Créez un agenda d'entretien périodique pour votre outil. Quand vous nettoyez un outil, faites attention de n'en démonter aucune pièce car il est toujours possible de mal remonter ou de pincer les fils internes ou de remonter incorrectement les ressorts de rappel des capots de protection.** Certains agents de nettoyage tels que l'essence, le tétrachlorure de carbone, l'ammoniaque, etc. risquent d'abîmer les plastiques.

## Règles de sécurité concernant les marteaux rotatifs

**Tenez l'outil par les surfaces isolées de préhension en effectuant une opération où l'outil de coupe peut venir en contact avec des fils dissimulés.** Le contact avec un fil sous tension rendra également les pièces métalliques exposées de l'outil sous tension et causera des secousses électriques à l'opérateur.

**Utilisez des brides ou d'autres moyens pratiques de brider ou de supporter la pièce sur une plate-forme stable.** Tenir la pièce à la main ou contre le corps est instable et risque de résulter en une perte de contrôle.

Ne percez, fixez et ne rentrez pas dans des murs existants ou autres endroits aveugles pouvant abriter des fils électriques. Si cette situation est inévitable, débranchez tous les fusibles ou les disjoncteurs alimentant ce site.

**Portez un serre-tête antibruit lorsque vous utilisez l'outil pendant des périodes prolongées.** L'exposition prolongée à un bruit de haute intensité peut causer une perte auditive.

**Utilisez un détecteur de métaux afin d'établir s'il y a des tuyaux d'eau ou à gaz dissimulés dans l'aire de travail ou appelez la compagnie de service public locale pour assistance avant de commencer l'opération.** Le fait de frapper une conduite de gaz ou de couper dans celle-ci provoquera une explosion. L'eau pénétrant dans un appareil électrique peut entraîner une électrocution.

**Utilisez toujours la poignée auxiliaire pour un contrôle maximal sur le rebond ou la réaction de couple. Ne tentez jamais d'utiliser cet outil d'une seule main.** L'embrayage à friction s'enclenche si vous tenez fermement l'outil quand celui-ci subit un couple de réaction ou un recul brutal.

**Portez toujours des lunettes à coques latérales ou des lunettes de protection en utilisant cet outil. Utilisez un respirateur ou un masque antipoussières pour les applications qui produisent de la poussière.** Les lunettes de sécurité ou la protection oculaire

permettent de dévier les fragments de matériau qui pourraient être projetés vers votre visage et vos yeux. La poussière générée ou les gaz libérés par le matériau que vous travaillez (par ex. tuyaux à isolation amiante, radon) peuvent causer des difficultés respiratoires.

**Utilisez des gants rembourrés épais et limitez le temps d'exposition en prenant des pauses fréquentes.** Les vibrations causées par l'action du marteau-perceuse peuvent être nocives pour vos mains et vos bras.

**Placez le cordon à l'écart du foret en rotation. N'enroulez pas le cordon autour de votre bras ou de votre poignet.** Si vous perdez contrôle et que le cordon s'enroule autour de votre bras ou de votre poignet, il peut vous emprisonner et vous blesser.

**Placez-vous de manière à éviter d'être pris entre l'outil ou la poignée latérale et les murs ou les montants.** Si le foret se coince ou grippe dans l'ouvrage, le couple de réaction de l'outil pourrait écraser votre main ou votre pied.

**Ne frappez pas le foret avec une masse ou un marteau à main en tentant de déloger un foret grippé ou coincé.** Des fragments métalliques pourraient se détacher du foret et vous frapper ou frapper des personnes présentes.

**Ne posez jamais l'outil jusqu'à ce que le foret ou l'accessoire se soit arrêté complètement.**

**N'utilisez pas de forets et d'accessoires émoussés ou endommagés.** Les forets émoussés ou endommagés ont tendance à gripper dans l'ouvrage.

**En retirant le foret de l'outil, évitez tout contact avec la peau et utilisez des gants protecteurs appropriés en saisissant le foret ou l'accessoire.** Les accessoires peuvent être chauds après une utilisation prolongée.

**Ne laissez pas l'outil en marche tout en le portant à votre côté.** Le foret en rotation peut s'emmêler avec les vêtements et causer des blessures.

**⚠ AVERTISSEMENT**










**Les travaux à la machine tel que ponçage, sciage, meulage, perçage et autres travaux du bâtiment peuvent créer des poussières contenant des produits chimiques qui sont des causes reconnues de cancer, de malformation congénitale ou d'autres problèmes reproductifs. Ces produits chimiques sont, par exemple :**

- Le plomb provenant des peintures à base de plomb,
- Les cristaux de silices provenant des briques et du ciment et d'autres produits de maçonnerie, et
- L'arsenic et le chrome provenant des bois traités chimiquement.

Le niveau de risque dû à cette exposition varie avec la fréquence de ces types de travaux. Pour réduire l'exposition à ces produits chimiques, il faut travailler dans un lieu bien ventilé et porter un équipement de sécurité approprié tel que certains masques à poussière conçus spécialement pour filtrer les particules microscopiques.

## Symboles

**IMPORTANT** : Certains des symboles suivants peuvent être utilisés sur votre outil. Veuillez les étudier et apprendre leur signification. Une interprétation appropriée de ces symboles vous permettra d'utiliser l'outil de façon plus efficace et plus sûre.

Symbole	Nom	Désignation/Explication
V	Volts	Tension (potentielle)
A	Ampères	Courant
Hz	Hertz	Fréquence (cycles par seconde)
W	Watt	Puissance
kg	Kilogrammes	Poids
min	Minutes	Temps
s	Secondes	Temps
∅	Diamètre	Taille des mèches de perceuse, meules, etc.
$n_0$	Vitesse à vide	Vitesse de rotation, à vide
.../min	Tours ou mouvement alternatif par minute	Tours, coups, vitesse en surface, orbites, etc., par minute
0	Position d'arrêt	Vitesse zéro, couple zéro ...
1, 2, 3, ... I, II, III, ...	Réglages du sélecteur	Réglages de vitesse, de couple ou de position. Un nombre plus élevé signifie une vitesse plus grande.
	Sélecteur variable à l'infini avec arrêt	La vitesse augmente depuis le réglage 0
	Flèche	Action dans la direction de la flèche
	Courant alternatif	Type ou caractéristique du courant
	Courant continu	Type ou caractéristique du courant
	Courant alternatif ou continu	Type ou caractéristique du courant
	Construction classe II	Désigne des outils construits avec double isolation
	Borne de terre	Borne de mise à la terre
	Symbole d'avertissement	Alerte l'utilisateur aux messages d'avertissement.
	Sceau Ni-Cad RBRC	Désigne le programme de recyclage des piles Ni-Cad.



Ce symbole signifie que cet outil est approuvé par Underwriters Laboratories.



Ce symbole signifie que cet outil est approuvé conformément aux normes canadiennes par Underwriters Laboratories.



Ce symbole signifie que cet outil se conforme aux normes mexicaines NOM.



Ce symbole signifie que cet outil est approuvé par l'Association canadienne de normalisation.



Ce symbole signifie que cet outil est approuvé par Underwriters Laboratories et qu'il a été homologué selon les normes canadiennes par Underwriters Laboratories.

## Description fonctionnelle et spécifications

**AVERTISSEMENT** Débranchez la fiche de la prise de courant avant d'effectuer quelque assemblage ou réglage que ce soit ou de changer les accessoires. Ces mesures de sécurité préventive réduisent le risque d'une mise en marche accidentelle de l'outil.

### Marteau rotatif

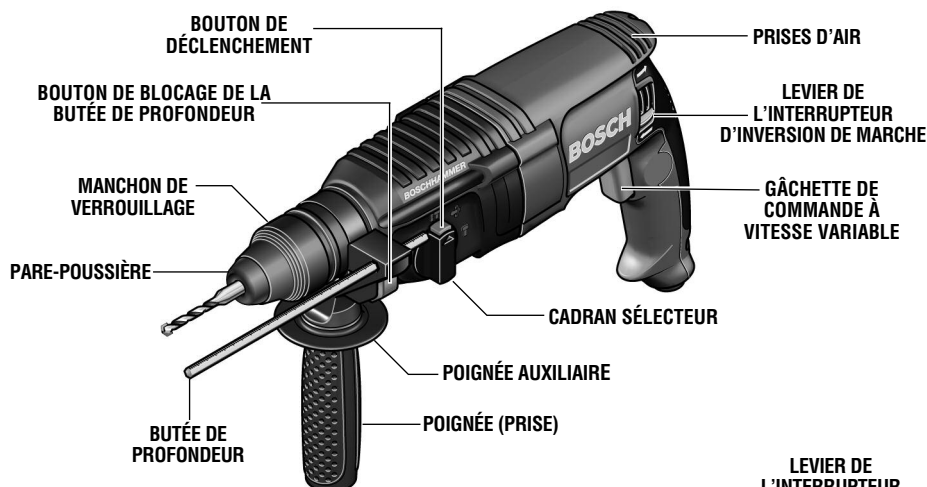
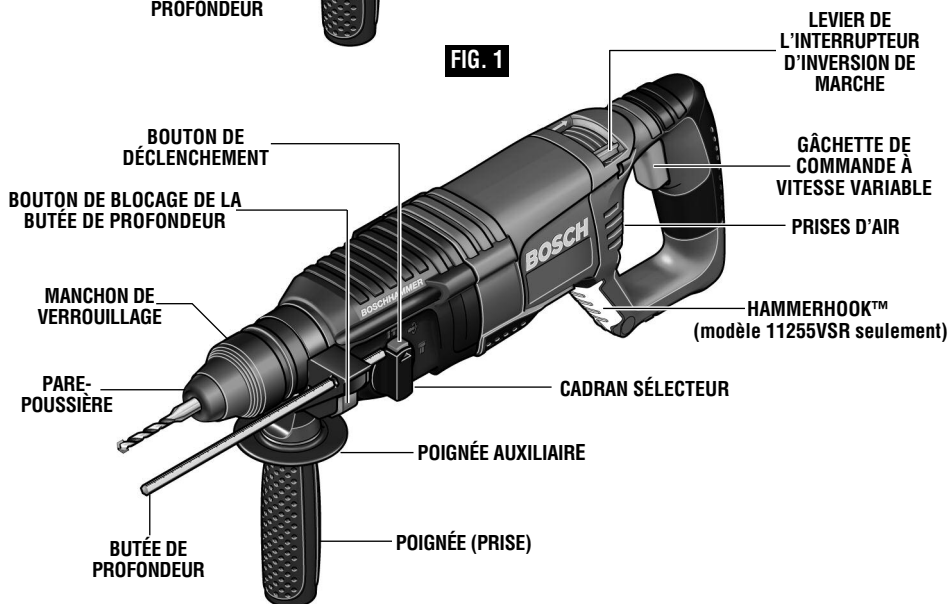


FIG. 1



Numéro de modèle	11253VSR	11255VSR
Type de tige	SDS-plus®	SDS-plus®
<b>Capacités maximales :</b>		
Mèches à pointe au carbure	(26mm)	(26mm)
Mèches creuses à paroi mince	(68mm)	(68mm)

**REMARQUE :** Pour spécifications de l'outil, reportez-vous à la plaque signalétique de votre outil.



## Consignes de fonctionnement

### GÂCHETTE DE COMMANDE À VITESSE VARIABLE

Votre outil est équipé d'une gâchette à vitesse variable. La vitesse de l'outil peut être contrôlée du régime minimum au régime maximum spécifiés sur la plaque signalétique par la pression que vous exercez sur la gâchette. Exercez plus de pression pour augmenter la vitesse et relâchez la pression pour diminuer la vitesse. Cette commande précise de la vitesse vous permet de percer sans poinçonnage central. Elle vous permet également d'utiliser l'outil comme tournevis électrique. Des forets sont offerts pour enfoncer des vis aussi bien que pour tourner des boulons et des écrous.

### LEVIER DE L'INTERRUPTEUR D'INVERSION DE MARCHE

Cet outil est pourvu du système inversion de marche des brosses rotatives. Ce système prolonge la vie utile tout en optimisant la puissance en marches avant et arrière. Cet interrupteur d'inversion peut être actionné depuis le côté droit ou gauche de l'outil.

**POUR LA ROTATION AVANT :** faites glisser l'interrupteur jusqu'à la flèche marquée « forward » (Fig. 1).

**POUR LA ROTATION INVERSE :** faites glisser l'interrupteur jusqu'à la flèche marquée « reverse ».

**REMARQUE :** l'outil ne fonctionnera pas en position intermédiaire.

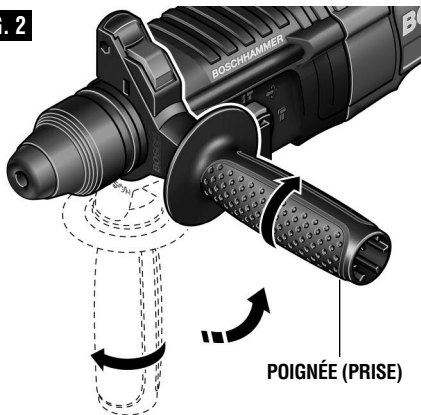
### EMBRAYAGE À GLISSEMENT

L'outil possède un embrayage interne pré réglé. L'embrayage est réglé de manière à ce qu'une force suffisante soit transmise à la mèche pour la plupart des conditions de perçage, mais il glissera lorsque la mèche gripe dans le trou ou que l'outil est surchargé. Sachez qu'en raison du réglage requis de l'embrayage, vous pouvez être confronté à une réaction de couple un instant avant que l'embrayage ne glisse. Cette réaction de couple tordra le corps du marteau rotatif dans le sens opposé à celui de la rotation de la mèche, à savoir, en sens anti-horaire. À mesure que l'embrayage glissera, la mèche cessera fort probablement de tourner. Lorsque la force de grippage est retirée de la mèche, l'embrayage se remet automatiquement à sa position initiale. Si vous faites l'expérience d'un grippage de la mèche et que l'embrayage commence à glisser, mettez immédiatement l'outil à l'arrêt «OFF» et corrigez la condition menant au grippage de la mèche.

### POIGNÉE AUXILIAIRE

La poignée auxiliaire, qui pivote sur 360°, doit être utilisée pour supporter l'outil. Pour repositionner et/ou faire pivoter la poignée, desserrez la manette, déplacez la poignée à la position désiré le long du cylindre, puis resserrez fermement la manette (Fig. 2).

FIG. 2



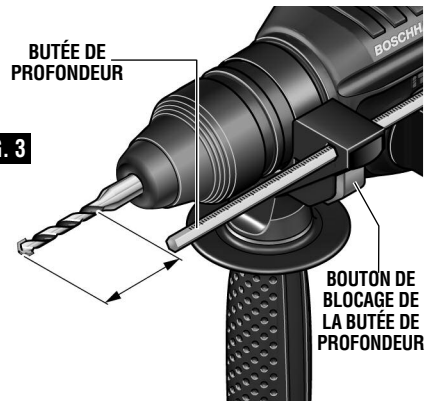
### BUTÉE DE PROFONDEUR

La butée de profondeur permet de pré-régler la profondeur de perçage ou d'effectuer des perçages répétitifs à une profondeur donnée.

Réglage de la profondeur : Après avoir installé la poignée auxiliaire, assurez-vous que l'accessoire est inséré à fond du porte-outil avant de régler la butée de profondeur (Fig. 3).

Pour régler la profondeur, appuyez sur le bouton de blocage de la butée de profondeur et faites coulisser cette dernière pour l'amener à la profondeur désirée. Relâchez ensuite le bouton de blocage pour bloquer la butée de profondeur en place.

FIG. 3



### CADRAN SÉLECTEUR

Le cadran sélecteur permet de régler l'outil en fonction de différentes applications de perçage ou de perçage à percussion. Appuyez sur le bouton de déclenchement et tournez le cadran sélecteur à droite ou à gauche suivant les applications ci-après.

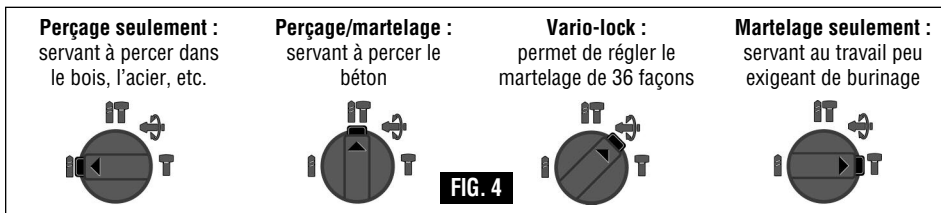
Lorsque vous utilisez des mèches de démolition ou de dégrossissage telles que burins, vrilles, gouges, etc., vous devez sélectionner le mode « Marteau seulement ».

**MISE EN GARDE** N'actionnez pas le cadran sélecteur avant que l'outil ne se soit arrêté complètement. Le mouvement durant la rotation du mandrin peut endommager l'outil.

### CADRAN SÉLECTEUR — « VARIO-LOCK »

Réglage du dispositif « Vario-Lock » ; le dispositif peut être réglé à trente-six positions différentes (10° entre elles). Choisissez le réglage qui convient à votre opération particulière.

Appuyez sur le bouton de déclenchement et tournez le cadran sélecteur au réglage « vario-lock ». Ensuite, tournez à la position désirée le manchon de verrouillage ainsi que l'accessoire. Réglez ensuite le cadran sélecteur à « martelage seulement » et tournez légèrement le manchon de verrouillage de sorte qu'il assume automatiquement une position définitive.



### POSE DE L'ÉQUIPEMENT ACCESSOIRE

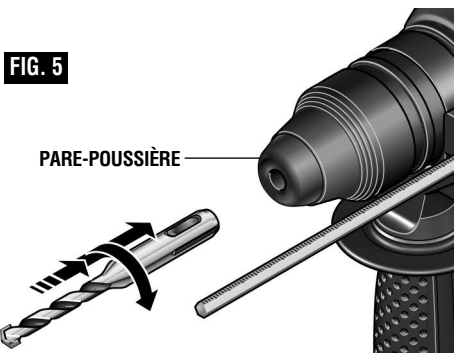
**AVERTISSEMENT** Débranchez la fiche de la prise de courant avant d'effectuer quelque assemblage ou réglage que ce soit ou de changer les accessoires. Ces mesures de sécurité préventive réduisent le risque d'une mise en marche accidentelle de l'outil. Nettoyez la tige de l'embout pour enlever toute saleté, puis enduisez-la modérément d'une huile ou graisse légère.

Le marteau rotatif 11250VSR et 11255VSR utilise les forets « SDS-plus ». La disposition « SDS-plus » transmet efficacement le couple de perçage et propage l'énergie maximale à chaque martelage.

Nettoyez la tige de l'embout pour enlever toute saleté, puis enduisez-la modérément d'une huile ou graisse légère.

Au pare-poussière, introduisez l'embout dans la douille de retenue tout en le tordant et l'enfonçant

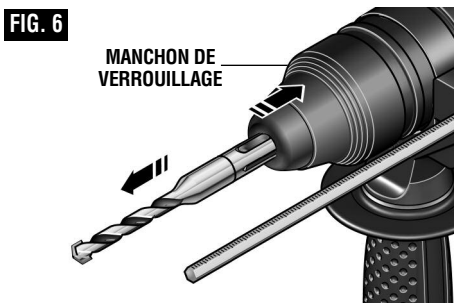
jusqu'à ce qu'il se verrouille automatiquement en place. Tirez sur l'embout pour vous assurer qu'il est bien engagé dans la douille (Fig. 5).



### DÉPOSE DE L'ÉQUIPEMENT ACCESSOIRE

**AVERTISSEMENT** En retirant le foret de l'outil, évitez tout contact avec la peau et utilisez des gants protecteurs appropriés en saisissant le foret ou l'accessoire. Les accessoires peuvent être chauds après une utilisation prolongée.

Pour déposer un accessoire, repoussez le manchon de verrouillage vers l'arrière (vers l'arrière de l'outil), tout en tirant sur l'accessoire. Prenez l'habitude de nettoyer les accessoires à leur enlèvement (Fig. 6).



### Crochet HAMMERHOOK™ (modèle 11255VSR seulement)

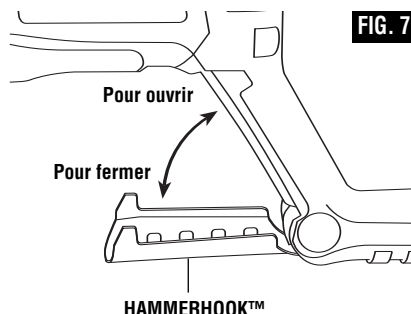
Votre outil est muni d'un crochet pratique qui vous permettra de le suspendre. Pour utiliser le crochet, il suffit de l'ouvrir jusqu'à ce qu'il s'enclenche en position ouverte (Fig. 7).

**Chaque fois que vous utilisez le crochet HAMMERHOOK™, souvenez-vous que l'accessoire est à découvert.** Suspendez toujours l'outil dans un endroit où personne ne pourra entrer accidentellement en contact avec l'accessoire.

**AVERTISSEMENT** Pour réduire le risque de blessures, choisissez judicieusement l'emplacement où l'outil sera suspendu.

- Choisissez un objet de taille et de forme adéquates doté d'une surface suffisamment stable pour la suspension de l'outil. Une surface instable pourrait entraîner la chute accidentelle de l'outil.
- Veillez à ce que l'outil ne soit pas suspendu dans des zones de passage ou des aires de travail accessibles à des tiers. Un tiers pourrait se heurter à l'outil ou s'emmêler dans le cordon d'alimentation et faire tomber l'outil.

**AVERTISSEMENT** Pour réduire le risque de blessures, n'utilisez pas le crochet de suspension s'il semble avoir été endommagé ou déformé. Cela pourrait entraîner une suspension instable et la chute inattendue de l'outil.



Quand vous n'avez plus l'intention d'utiliser le crochet, rabattez-le jusqu'à ce qu'il s'enclenche dans la position fermée.



### CONSEILS PRATIQUES

Le fait d'observer quelques simples conseils réduira l'usure de l'outil et le risque de blessures.

**REMARQUE :** Le marteau rotatif ne produira les résultats attendus que si vous l'équipez d'embouts bien affûtés et en parfait état. Les frais d'entretien de l'équipement sont minimes comparés au temps que vous épargnez.

Tous les marteaux ont besoin d'un court temps de préchauffe. Selon la température de la pièce, le temps peut varier de 15 secondes (90°F) à 2 minutes (32°F). Un marteau neuf n'atteindra sa pleine performance qu'après avoir fait l'objet de rodage approprié, à savoir jusqu'à 5 heures de fonctionnement.

**Forets à pointe au carbure:** Utilisés pour le perçage dans la pierre, le béton, la brique, le ciment et d'autres matériaux non métalliques anormalement durs. Le marteau rotatif convient aux forets à pointe de carbure «SDS» de diamètre allant jusqu'à 3/4 de pouce.

### MANDRIN 3 MORS

Le mandrin 3 mors avec l'adaptateur SDS à titre accessoire peut vous permettre d'utiliser votre outil avec des forets à tige unie.

Vous prolongerez la durée de vos forets et obtiendrez de meilleurs résultats si vous prenez l'habitude de les

poser sur la surface à percer AVANT d'appuyer sur la gâchette. Pendant le perçage, tenez fermement le marteau en exerçant une pression modérée et constante. Une pression exagérée à basse vitesse provoquera l'arrêt du marteau. Une pression insuffisante empêchera le foret de pénétrer dans le matériau et provoquera le frottement exagéré et le patinage sur la surface à percer. Vous risqueriez ainsi d'endommager le marteau et le foret.

Il faudrait essayer à fond la tige des forets immédiatement avant et après l'usage.

### Pour votre sécurité, souvenez-vous:

1. Certains matériaux doivent être percés aux basses vitesses, alors qu'avec d'autres les hautes vitesses produisent de meilleurs résultats.
2. Il importe de bien assujettir le matériau à percer et de maintenir une pression uniforme en ligne avec le foret.
3. Arrêtez de peser dès que le foret traverse le côté opposé du matériau et maintenez l'outil en marche durant le retrait du foret.

Les matériaux tels que le verre, la porcelaine, la céramique, la tuile, le plastique, etc. devraient être percés à basse vitesse avec les forets appropriés et de l'huile.

### PERÇAGE DANS LE BOIS OU LE PLASTIQUE

Si un bloc d'appui n'est pas utilisé, relâchez la pression immédiatement avant que le foret ne traverse le bois afin d'éviter l'éclatement du bois. Terminez le trou du côté opposé immédiatement après que la pointe ait traversé. Si le foret se grippe, inversez l'opération de perçage pour aider à retirer le foret de la pièce.

### PERÇAGE DANS LE MÉTAL

Il existe deux règles pour percer les matériaux durs. En premier lieu, plus le matériau est dur, plus il vous faut exercer de pression sur l'outil. En deuxième lieu, plus le matériau est dur, plus vous devez percer lentement. Voici quelques conseils pour percer les métaux. Pratiquez un trou central au poinçon dans le matériau pour faciliter l'approche. Lubrifiez la pointe du foret à l'occasion à l'aide d'huile de coupe, sauf lorsque vous

percez des métaux tendres tels que l'aluminium, le cuivre ou la fonte de fer. Si le trou à percer est assez grand, percez d'abord un plus petit trou, puis agrandissez-le aux dimensions nécessaires. C'est souvent plus rapide à long terme. Maintenez suffisamment de pression pour faire en sorte que le foret ne fasse pas seulement tourner dans le trou. Ceci émoussera le foret et réduira considérablement sa vie utile.

### PERÇAGE À TRAVERS LA MAÇONNERIE

Utilisez un foret de maçonnerie à pointe en carbure pour les agglomérés, le mortier, la brique ordinaire, la pierre tendre et autres matériaux. La quantité de pression à utiliser dépend du type de matériau percé. Les matériaux tendres nécessitent moins de pression tandis que les matériaux durs nécessitent une plus grande pression pour empêcher le foret de tourner.

## Entretien

### Service

**⚠ AVERTISSEMENT** Tout entretien préventif effectué par des personnels non autorisés peut résulter en mauvais placement de fils internes ou de pièces, ce qui peut présenter un danger grave. Nous vous conseillons de faire faire tout l'entretien par un centre de service d'usine Bosch ou une station service agréée Bosch.

### LUBRIFICATION DE L'OUTIL

Votre outil Bosch a été lubrifié correctement en usine et il est prêt à l'utilisation. Nous vous conseillons de re-graisser les outils qui comportent des engrenages avec un lubrifiant à engrenages spécial à chaque fois que vous changez les balais.

### BALAIS OU CHARBONS

Les balais (ou charbons) et le collecteur de votre outil ont été conçus pour apporter de nombreuses heures de fonctionnement fiable. Pour maintenir le rendement du moteur à son maximum, nous vous conseillons de contrôler les balais tous les deux à six mois. Il ne faut utiliser que des balais de rechange Bosch d'origine et conçus pour votre outil.

### PALIER

Après environ 300 à 400 heures de fonctionnement ou tous les deux changements de balais, il est conseillé

de faire remplacer les paliers par un centre de service d'usine Bosch ou une station service agréée Bosch. Si les paliers commencent à faire du bruit (à cause de surcharges importantes ou du toupillage de matériaux très abrasifs) il faut les faire remplacer immédiatement pour éviter la surchauffe ou une panne de moteur.

### Nettoyage

**⚠ AVERTISSEMENT** Pour éviter les accidents, il faut toujours débrancher l'outil avant de le nettoyer ou de l'entretenir. Le meilleur moyen de nettoyer l'outil est d'utiliser de l'air comprimé sec. Il faut toujours porter des lunettes de protection quand on utilise de l'air comprimé.

Les ouïes de ventilation et les leviers de l'interrupteur doivent rester propres et exempts de corps étrangers. Ne tentez pas de les nettoyer en enfonçant des objets pointus dans les orifices.

**⚠ AVERTISSEMENT** Certains agents de nettoyages et certains dissolvants abîment les pièces en plastique. Parmi ceux-ci se trouvent: l'essence, le tétrachlorure de carbone, les dissolvants de nettoyage chlorés, l'ammoniaque ainsi que les détergents domestiques qui en contiennent.

## Accessoires

**⚠ AVERTISSEMENT** Si un cordon de rallonge s'avère nécessaire, vous devez utiliser un cordon avec conducteurs de dimension adéquate pouvant porter le courant nécessaire à votre outil. Ceci préviendra une chute excessive de tension, une perte de courant ou une surchauffe. Les outils mis à la terre doivent utiliser des cordons de rallonge trifilaires pourvus de fiches à trois broches ainsi que des prises à trois broches.

**REMARQUE :** Plus le calibre est petit, plus le fil est gros.

### DIMENSIONS DE RALLONGES RECOMMANDÉES OUTILS 120 VOLTS COURANT ALTERNATIF

Intensité nominale de l'outil	Calibre A.W.G.				Calibre en mm <sup>2</sup>			
	Longueur en pieds				Longueur en mètres			
	25	50	100	150	15	30	60	120
3-6	18	16	16	14	0,75	0,75	1,5	2,5
6-8	18	16	14	12	0,75	1,0	2,5	4,0
8-10	18	16	14	12	0,75	1,0	2,5	4,0
10-12	16	16	14	12	1,0	2,5	4,0	—
12-16	14	12	—	—	—	—	—	—

\* Poignée auxiliaire 360°

\* Butée de profondeur

\* Étui

\*\* Mandrin 3 mors

\*\* Adaptateur SDS pour mandrin standard

(\* = équipement standard)

(\*\* = accessoire en option)

## Normas generales de seguridad

**⚠ ADVERTENCIA** Lea todas las instrucciones. Si no se siguen todas las instrucciones que aparecen a continuación, el resultado podría ser sacudidas eléctricas, incendio y/o lesiones graves.

La expresión "herramienta mecánica" en todas las advertencias que aparecen a continuación se refiere a su herramienta mecánica alimentada por la red eléctrica (herramienta alámbrica) o su herramienta mecánica alimentada por baterías (herramienta inalámbrica).

### GUARDE ESTAS INSTRUCCIONES

#### Seguridad del área de trabajo

**Mantenga el área de trabajo limpia y bien iluminada.** Las áreas desordenadas u oscuras invitan a que se produzcan accidentes.

**No utilice herramientas mecánicas en atmósferas explosivas, como por ejemplo en presencia de líquidos, gases o polvos inflamables.** Las herramientas mecánicas generan chispas que pueden incendiar el polvo o los vapores.

**Mantenga alejados a los niños y a las personas que estén presentes mientras esté utilizando una herramienta mecánica.** Las distracciones pueden hacerle perder el control de la herramienta.

#### Seguridad eléctrica

**Los enchufes de las herramientas mecánicas deben coincidir con el tomacorriente. No modifique nunca el enchufe de ningún modo. No use enchufes adaptadores con herramientas mecánicas conectadas a tierra (puestas a tierra).** Los enchufes no modificados y los tomacorrientes coincidentes reducirán el riesgo de sacudidas eléctricas.

**Evite el contacto del cuerpo con las superficies conectadas o puestas a tierra, tales como tuberías, radiadores, estufas y refrigeradores.** Hay un aumento del riesgo de sacudidas eléctricas si el cuerpo del operador se conecta o pone a tierra.

**No exponga las herramientas mecánicas a la lluvia o a condiciones mojadas.** La entrada de agua en una herramienta mecánica aumentará el riesgo de que se produzcan sacudidas eléctricas.

**No maltrate el cordón de energía. No use nunca el cordón para transportar la herramienta mecánica, tirar de ella o desenchufarla. Mantenga el cordón alejado del calor, el aceite, los bordes afilados o las piezas móviles.** Los cordones dañados o enganchados aumentan el riesgo de que se produzcan sacudidas eléctricas.

**Cuando utilice una herramienta mecánica en el exterior, use un cordón de extensión adecuado para uso a la intemperie.** La utilización de un cordón adecuado para uso a la intemperie reduce el riesgo de que se produzcan sacudidas eléctricas.

**No use herramientas mecánicas con capacidad nominal solamente para CA con una fuente de energía de CC.** Aunque pueda parecer que la

herramienta funciona correctamente, es probable que los componentes eléctricos de la herramienta con capacidad nominal para CA fallen y creen un peligro para el operador.

**Si es inevitable usar la herramienta mecánica en lugares húmedos, se debe utilizar un interruptor de circuito accionado por corriente de pérdida a tierra (GFCI) para suministrar energía a la herramienta.** Un GFCI y los dispositivos de protección personal, como guantes de goma y calzado de goma de electricista, mejorarán más su seguridad personal.

#### Seguridad personal

**Manténgase alerta, fíjese en lo que está haciendo y use el sentido común cuando esté utilizando una herramienta mecánica. No use una herramienta mecánica cuando esté cansado o bajo la influencia de drogas, alcohol o medicamentos.** Un momento de distracción mientras esté utilizando herramientas mecánicas podría causar lesiones corporales graves.

**Use equipo de seguridad. Use siempre protección de los ojos.** El equipo de seguridad, como por ejemplo una máscara antipolvo, calzado de seguridad antideslizante, casco o protección de oídos, utilizado para las condiciones apropiadas, reducirá las lesiones corporales.

**Evite el arranque accidental. Asegúrese de que el interruptor esté en la posición de apagado antes de enchufar la herramienta.** Si se transportan herramientas mecánicas con el dedo en el interruptor o se enchufan herramientas mecánicas que tienen el interruptor en la posición de encendido, se invita a que se produzcan accidentes.

**Quite todas las llaves de ajuste o de tuerca antes de encender la herramienta mecánica.** Una llave de tuerca o de ajuste que se deje colocada en una pieza giratoria de la herramienta mecánica podría causar lesiones corporales.

**No intente alcanzar demasiado lejos. Mantenga un apoyo de los pies y un equilibrio apropiados en todo momento.** Esto permite controlar mejor la herramienta mecánica en situaciones inesperadas.

**Vístase adecuadamente. No use ropa holgada ni alhajas holgadas. Mantenga el pelo, la ropa y los guantes alejados de las piezas móviles.** La ropa holgada, las alhajas holgadas o el pelo largo pueden quedar atrapados en las piezas móviles.

**Si se proporcionan dispositivos para la conexión de instalaciones de extracción y recolección de polvo, asegúrese de que dichas instalaciones estén conectadas y se usen correctamente.** El uso de estos dispositivos puede reducir los peligros relacionados con el polvo.

**Mantenga los mangos secos, limpios y libres de aceite y grasa.** Las manos resbalosas no pueden controlar de modo seguro la herramienta mecánica.

### Uso y cuidado de las herramientas mecánicas

**No fuerce la herramienta mecánica. Use la herramienta mecánica correcta para la aplicación que desee realizar.** La herramienta mecánica correcta hará el trabajo mejor y con más seguridad a la capacidad nominal para la que fue diseñada.

**No use la herramienta mecánica si el interruptor no la enciende y apaga.** Toda herramienta mecánica que no se pueda controlar con el interruptor es peligrosa y debe ser reparada.

**Desconecte el enchufe de la fuente de energía y/o el paquete de batería de la herramienta mecánica antes de hacer cualquier ajuste, cambiar accesorios o almacenar herramientas mecánicas.** Dichas medidas preventivas de seguridad reducen el riesgo de arrancar accidentalmente la herramienta mecánica.

**Guarde las herramientas que no esté usando fuera del alcance de los niños y no deje que personas que no estén familiarizadas con la herramienta mecánica o con estas instrucciones utilicen la herramienta.** Las herramientas mecánicas son peligrosas en manos de usuarios que no hayan recibido capacitación.

**Mantenga las herramientas mecánicas. Compruebe si hay piezas móviles desalineadas o que se atoran, si hay piezas rotas y si existe cualquier otra situación que podría afectar el funcionamiento de la herramienta mecánica. Si la herramienta mecánica**

**está dañada, haga que la reparen antes de usarla.** Muchos accidentes son causados por herramientas mecánicas mantenidas deficientemente.

**Mantenga las herramientas de corte afiladas y limpias.** Es menos probable que las herramientas de corte mantenidas apropiadamente, con bordes de corte afilados, se atoren, y dichas herramientas son más fáciles de controlar.

**Use la herramienta mecánica, los accesorios, las brocas de la herramienta, etc., de acuerdo con estas instrucciones y de la manera prevista para el tipo específico de herramienta mecánica, teniendo en cuenta las condiciones de trabajo y el trabajo que se vaya a realizar.** El uso de la herramienta mecánica para operaciones distintas a aquéllas para las que fue diseñada podría causar una situación peligrosa.

**Use abrazaderas u otro modo práctico de sujetar y soportar la pieza de trabajo en una plataforma estable.** Si se sujeta la pieza de trabajo con la mano o contra el cuerpo, se crea una situación inestable que podría causar pérdida de control.

### Servicio de ajustes y reparaciones

**Haga que su herramienta mecánica reciba servicio de un técnico de reparaciones calificado, utilizando únicamente piezas de repuesto idénticas.** Esto asegurará que se mantenga la seguridad de la herramienta mecánica.

**Desarrolle un programa de mantenimiento periódico de la herramienta.** Cuando limpie una herramienta, tenga cuidado de no desmontar ninguna de sus partes, ya que los cables internos podrían reubicarse incorrectamente o pellizcarse, o los resortes de retorno de los protectores de seguridad podrían montarse incorrectamente. Ciertos agentes de limpieza, tales como gasolina, tetracloruro de carbono, amoníaco, etc., podrían dañar las piezas de plástico.

## Normas de seguridad para martillos giratorios

**Sujete la herramienta por las superficies de agarre aisladas cuando realice una operación en la que la herramienta de corte pueda entrar en contacto con cables ocultos o con su propio cordón.** El contacto con un cable que tenga corriente hará que ésta pase a las partes metálicas descubiertas de la herramienta y que el operador reciba sacudidas eléctricas.

**Use abrazaderas u otro modo práctico de sujetar y soportar la pieza de trabajo en una plataforma estable.** Si se sujeta la pieza de trabajo con la mano o contra el cuerpo, se crea una situación inestable que podría causar pérdida de control.

No taladre, rompa, ni haga trabajo de sujeción en paredes existentes ni en otras áreas ciegas donde pueda haber cables eléctricos. Si esta situación es inevitable, desconecte todos los fusibles o cortacircuitos que alimentan este sitio de trabajo.

**Use protectores de oídos cuando utilice la herramienta durante períodos prolongados.** La exposición prolongada a ruido de alta intensidad puede causar pérdida de audición.

**Utilice un detector de metales para determinar si hay tuberías de gas o de agua ocultas en el área de trabajo o llame a la compañía local de servicios públicos para**

**obtener asistencia antes de comenzar la operación.** Golpear o cortar una tubería de gas producirá una explosión. La entrada de agua en un dispositivo eléctrico puede causar electrocución.

**Utilice siempre el mango auxiliar para tener un control máximo sobre la reacción de par motor o retroceso. Nunca intente manejar esta herramienta con una mano.** El embrague deslizante se acopla si usted controla firmemente la herramienta durante una reacción de par motor o retroceso.

**Use siempre gafas de seguridad o protección de los ojos cuando utilice esta herramienta. Use una máscara antipolvo o un respirador para aplicaciones que generan polvo.** Las gafas de seguridad o la protección de los ojos ayudarán a desviar los fragmentos del material que puedan salir despedidos hacia la cara y los ojos. El polvo generado o los gases liberados por los materiales que esté cortando (por ej., tuberías con aislamiento de asbesto, radón) pueden causar dificultades respiratorias.

**Use guantes con almohadillado grueso y limite el tiempo de exposición tomando frecuentes períodos de descanso.** La vibración causada por la acción de percusión y taladrado puede ser perjudicial para las manos y los brazos.

**Posicione el cordón de modo que esté alejado de la broca que gira. No enrolle el cordón alrededor del brazo o de la muñeca.** Si pierde el control y tiene el cordón enrollado en el brazo o en la muñeca, el cordón puede atraparlo y causarle lesiones.

**Sitúese de modo que evite ser atrapado entre la herramienta o el mango lateral y las paredes o los postes.** Si la broca se atasca o se engancha en la pieza de trabajo, el par motor de reacción de la herramienta podría aplastarle la mano o la pierna.

**No golpee la broca con un martillo de mano ni con una herramienta de martilleo cuando intente soltar una broca atascada o enganchada.** Se podrían soltar

fragmentos de metal de la broca y golpearle a usted o golpear a las personas que se encuentren presentes.

**Nunca deje la herramienta en ningún lugar hasta que la broca o el accesorio se haya detenido por completo.**

**No utilice brocas ni accesorios desafilados o dañados.** Las brocas o accesorios desafilados o dañados pueden atascarse frecuentemente en la pieza de trabajo, causando una reacción de par motor.

**Al sacar la broca de la herramienta, evite el contacto con la piel y use guantes de protección adecuados al agarrar la broca o el accesorio.** Los accesorios pueden estar calientes después de un uso prolongado.

**No tenga en marcha la herramienta mientras la lleva a su lado.** La broca taladradora que gira puede engancharse en la ropa y se pueden producir lesiones.

**⚠ ADVERTENCIA** Cierta polvo generado por el lijado, aserrado, amolado y taladrado mecánicos, y por otras actividades de construcción, contiene agentes químicos que se sabe que causan cáncer, defectos de nacimiento u otros daños sobre la reproducción. Algunos ejemplos de estos agentes químicos son:


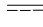
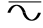




- Plomo de pinturas a base de plomo,
- Sílice cristalina de ladrillos y cemento y otros productos de mampostería, y
- Arsénico y cromo de madera tratada químicamente.

Su riesgo por causa de estas exposiciones varía, dependiendo de con cuánta frecuencia realice este tipo de trabajo. Para reducir su exposición a estos agentes químicos: trabaje en un área bien ventilada y trabaje con equipo de seguridad aprobado, como por ejemplo máscaras antipolvo que estén diseñadas especialmente para impedir mediante filtración el paso de partículas microscópicas.



## Símbolos

**IMPORTANTE:** Es posible que algunos de los símbolos siguientes se usen en su herramienta. Por favor, estúdielos y aprenda su significado. La interpretación adecuada de estos símbolos le permitirá utilizar la herramienta mejor y con más seguridad.

Símbolo	Nombre	Designación/explicación
V	Volt	Tensión (potencial)
A	Ampere	Corriente
Hz	Hertz	Frecuencia (ciclos por segundo)
W	Watt	Potencia
kg	Kilogramo	Peso
min	Minuto	Tiempo
s	Segundo	Tiempo
∅	Diámetro	Tamaño de las brocas taladradoras, muelas, etc.
$n_0$	Velocidad sin carga	Velocidad rotacional sin carga
.../min	Revoluciones o alternación por minuto	Revoluciones, golpes, velocidad de superficie, órbitas, etc., por minuto
0	Posición "off" (apagado)	Velocidad cero, par motor cero...
1, 2, 3, ... I, II, III,	Graduaciones del selector	Graduaciones de velocidad, par motor o posición. Un número más alto significa mayor velocidad
	Selector infinitamente variable con apagado	La velocidad aumenta desde la graduación de 0
	Flecha	Acción en la dirección de la flecha
	Corriente alterna	Tipo o una característica de corriente
	Corriente continua	Tipo o una característica de corriente
	Corriente alterna o continua	Tipo o una característica de corriente
	Construcción de clase II	Designa las herramientas de construcción con aislamiento doble.
	Terminal de toma de tierra	Terminal de conexión a tierra
	Símbolo de advertencia	Alerta al usuario sobre mensajes de advertencia
	Sello RBRC de Ni-Cd	Designa el programa de reciclaje de baterías de Ni-Cd



Este símbolo indica que esta herramienta está catalogada por Underwriters Laboratories.



Este símbolo indica que Underwriters Laboratories ha catalogado esta herramienta indicando que cumple las normas canadienses.



Este símbolo indica que esta herramienta cumple con la norma mexicana oficial (NOM).



Este símbolo indica que esta herramienta está catalogada por la Canadian Standards Association.



Este símbolo indica que esta herramienta está catalogada por Underwriters Laboratories y que Underwriters Laboratories la ha catalogado según las normas canadienses.

## Descripción funcional y especificaciones

**ADVERTENCIA** Desconecte el enchufe de la fuente de energía antes de realizar cualquier ensamblaje o ajuste, o cambiar accesorios. Estas medidas de seguridad preventivas reducen el riesgo de arrancar la herramienta accidentalmente.

### Martillo giratorio

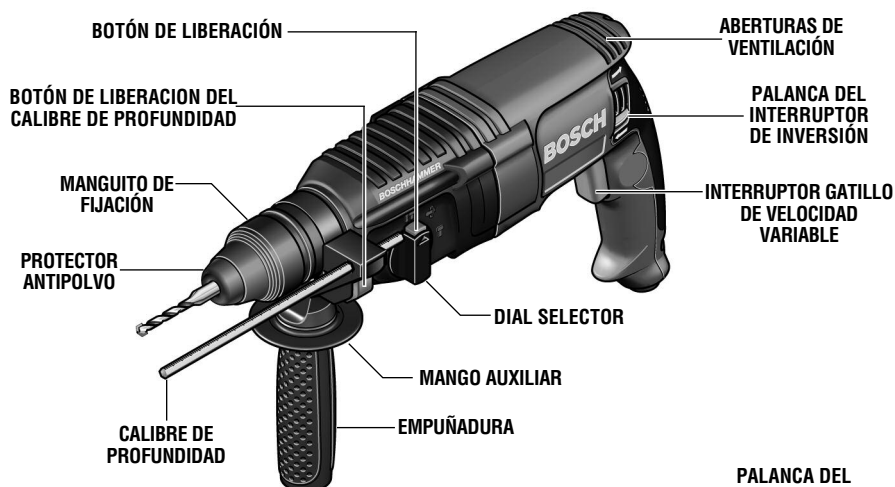


FIG. 1



Número de modelo	11253VSR	11255VSR
Estilo de cuerpo	SDS-plus®	SDS-plus®
<b>Capacidad máxima:</b>		
Brocas con punta de carburo	(26mm)	(26mm)
Brocas huecas de pared delgada	(68mm)	(68mm)

**NOTA:** Para obtener las especificaciones de la herramienta, consulte la placa del fabricante colocada en la herramienta.

## Instrucciones de funcionamiento

### INTERRUPTOR GATILLO DE VELOCIDAD VARIABLE CONTROLADA

La herramienta está equipada con un interruptor gatillo de velocidad variable. La velocidad de la herramienta se puede controlar desde las RPM mínimas hasta las RPM máximas indicadas en la placa del fabricante por medio de la presión que usted ejerce sobre el gatillo. Ejerza más presión para aumentar la velocidad y disminuya la presión para reducir la velocidad. Este preciso control de velocidad le permite a usted taladrar sin realizar punzonaduras para marcar. También le permite utilizar la herramienta como destornillador mecánico. Hay brocas disponibles para apretar tornillos y también para pernos y tuercas.

### PALANCA DEL INTERRUPTOR DE INVERSIÓN

Esta herramienta está equipada con el sistema de inversión de escobillas giratorias. Esto tiene como resultado una vida más larga a la vez que maximiza la potencia tanto en el sentido de avance como en el inverso. El interruptor de inversión se puede accionar desde el lado derecho o desde el lado izquierdo de la herramienta.

PARA LA ROTACION DE AVANCE: desplace el interruptor hasta la flecha marcada avance (FWD) (Fig. 1).

PARA LA ROTACION EN SENTIDO INVERSO: desplace el interruptor hasta la flecha marcada inversión (REV). NOTA: la herramienta no funcionará con el interruptor en la posición central.

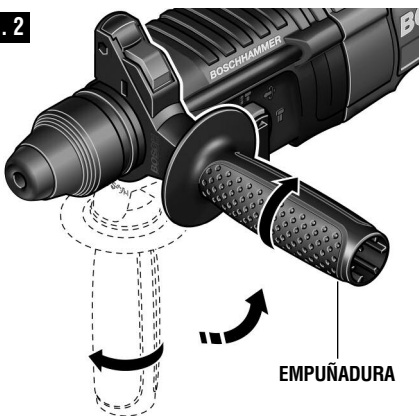
### EMBRAGUE DESLIZANTE

La herramienta tiene un embrague interno preajustado. El embrague está ajustado de tal modo que se transmita suficiente fuerza a la broca en la mayoría de las situaciones de taladrado, pero patinará cuando la broca se atasque en el agujero o la herramienta se sobrecargue. Tenga presente que debido al ajuste requerido para el embrague, se podrá producir una reacción de par motor un instante antes de que el embrague patine. Esta reacción de par motor torcerá el cuerpo del martillo giratorio en sentido contrario al del giro de la broca, es decir, en sentido contrario al de las agujas del reloj. Cuando el embrague patine, lo más probable es que la broca deje de girar. Cuando se elimina la fuerza que el atasco ejerce sobre la broca, el embrague se reajusta automáticamente. Si se produce atasco de la hoja y el embrague comienza a patinar, apague la herramienta inmediatamente y corrija la situación que hace que la hoja se atasque.

### MANGO AUXILIAR

La herramienta se debe sujetar con el mango auxiliar, el cual se puede girar 360°. Para reposicionar y/o hacer girar el mango, afloje la empuñadura, mueva el mango hasta la posición deseada a lo largo del cuerpo cilíndrico y vuelva a apretar firmemente la empuñadura.

FIG. 2



EMPUÑADURA

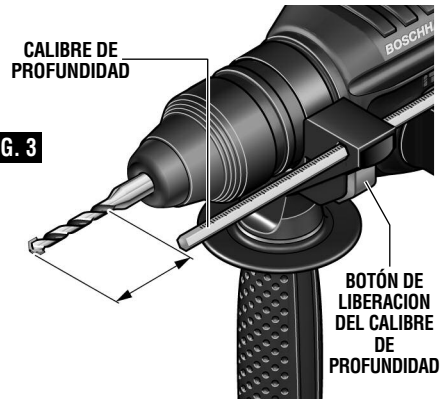
### CALIBRE DE PROFUNDIDAD

La profundidad de perforación se puede fijar y/o repetir utilizando el calibre de profundidad.

Ajuste de la profundidad: Después de instalar el mango auxiliar, asegúrese de que el accesorio se haya introducido completamente en el portaherramienta antes de ajustar el calibre de profundidad (Fig. 3).

Para ajustar la profundidad, oprima el botón de liberación del calibre de profundidad, deslice dicho calibre hasta la profundidad deseada y deje de ejercer presión sobre el botón para fijar el calibre de profundidad en su sitio.

FIG. 3



CALIBRE DE PROFUNDIDAD

BOTÓN DE LIBERACION DEL CALIBRE DE PROFUNDIDAD

### DIAL SELECTOR

El dial selector permite ajustar la herramienta para varias aplicaciones de taladrado y taladrado de percusión. Oprima el botón de liberación y gire el dial selector hasta la derecha o hacia la izquierda según las aplicaciones que se indican a continuación.

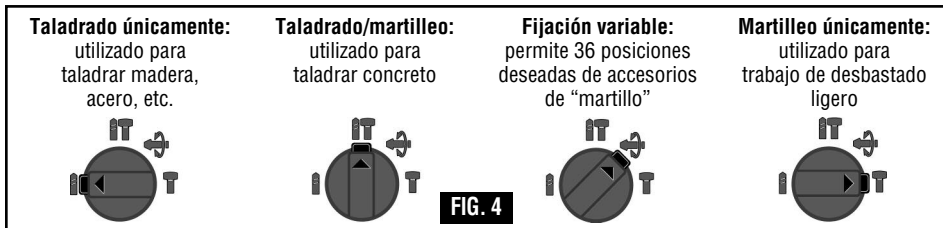
Al usar brocas de demoler o de desbastar, tales como brocas de punta rompedora, de cincel, de pala, de media caña, etc., se debe seleccionar el modo de "martillo solamente".

**PRECAUCION** No accione el dial de selección hasta que la herramienta se haya detenido por completo. Si se gira el dial mientras el embrague está girando, la herramienta puede dañarse.

### DIAL SELECTOR — FIJACION VARIABLE

Ajuste de la fijación variable: La fijación variable se puede ajustar en cualquiera de treinta y seis posiciones (incrementos de 10°). Elija la posición más idónea para la operación que usted desea realizar.

Oprima el botón de liberación y gire el dial selector hasta la posición de fijación variable. A continuación, gire el manguito de fijación, junto con el accesorio, hasta la posición deseada. Luego, gire el dial selector hasta la posición de "martillo únicamente" y gire ligeramente el manguito de fijación para hacer que éste quede fijo automáticamente en una posición determinada.



### INSTALACION DE ACCESORIOS

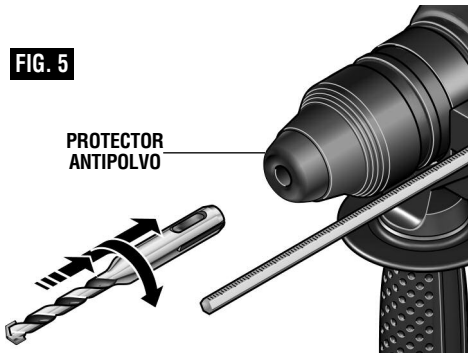
**ADVERTENCIA** Desconecte el enchufe de la fuente de energía antes de realizar cualquier ensamblaje o ajuste, o cambiar accesorios. Estas medidas de seguridad preventivas reducen el riesgo de arrancar la herramienta accidentalmente.

El martillo giratorio 11253VSR y 11255VSR utiliza brocas para taladro "SDS-plus". El sistema "SDS-plus" transfiere el par motor de taladrado de manera eficaz y maximiza la energía suministrada por martillazo.

Limpie el extremo de inserción del cuerpo del accesorio para quitar los residuos que éste pueda tener y luego engráselo ligeramente con un aceite o lubricante ligero.

Introduzca el accesorio en el portaherramienta a través del protector antipolvo a la vez que lo hace girar y lo empuja hacia adentro hasta que quede fijo en su sitio

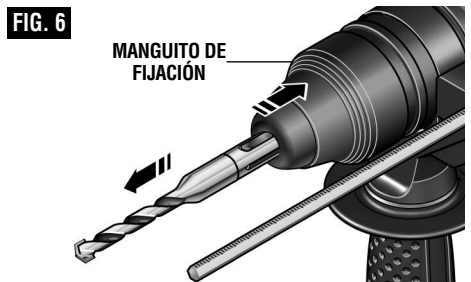
automáticamente. Tire del accesorio hacia afuera para asegurarse de que ha quedado fijo dentro del soporte de la herramienta (Fig. 5).



### REMOCION DE ACCESORIOS

**ADVERTENCIA** Al sacar la broca de la herramienta, evite el contacto con la piel y use guantes de protección adecuados al agarrar la broca o el accesorio. Los accesorios pueden estar calientes después de un uso prolongado.

Para quitar un accesorio, empuje hacia atrás el manguito de fijación 3 (hacia la parte posterior de la herramienta) a la vez que tira del accesorio hacia afuera. Se deberán limpiar todos los accesorios después de quitarlos (Fig. 6).



**HAMMERHOOK™ (modelo 1125VSR solamente)**

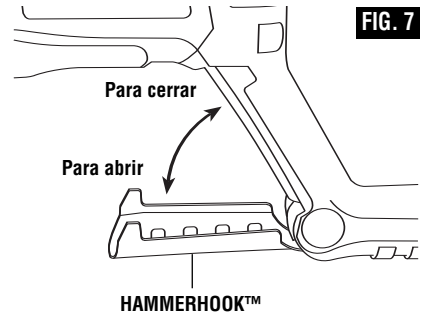
La herramienta está equipada con un práctico gancho para colgarla. Para utilizarlo, simplemente abra el gancho hasta que se acople a presión en la posición abierta (Fig. 7).

**Cuando utilice el gancho HAMMERHOOK™, asegúrese siempre de que el accesorio esté al descubierto.** Cuelgue siempre la herramienta en un área donde usted y las personas que se encuentren presentes no puedan hacer contacto accidentalmente con el accesorio.

**⚠ ADVERTENCIA** Para reducir el riesgo de lesiones, tenga cuidado al seleccionar la ubicación para colgar la herramienta.

- Seleccione un objeto con la forma y el tamaño adecuados, que proporcione una estabilidad de suspensión adecuada. Una superficie de suspensión inestable podría hacer que la herramienta se caiga inesperadamente.
- Asegúrese de que la herramienta esté colgada fuera del paso de pasarelas y áreas de trabajo donde haya gente. La herramienta podría ser golpeada o una de esas personas podría engancharse en el cordón de energía, haciendo que la herramienta se caiga inesperadamente.

**⚠ ADVERTENCIA** Para reducir el riesgo de lesiones, no use el gancho de suspensión si parece que está dañado o deformado. Eso podría causar una suspensión inestable y hacer que la herramienta se caiga inesperadamente.



Cuando no se esté utilizando el gancho, ciérrelo siempre hasta que se acople a presión en la posición cerrada.

**CONSEJOS PARA LA HERRAMIENTA**

El seguir unos cuantos consejos simples reducirá el desgaste de la herramienta y las posibilidades de lesiones del operador.

**NOTA:** La alta eficiencia proporcionada por los martillos giratorios sólo se puede obtener si se utilizan accesorios afilados y sin daños. El “costo” de mantener accesorios afilados y sin daños es sobradamente compensado por el “tiempo que se ahorra” al hacer funcionar la herramienta con accesorios afilados.

Todos los martillos requieren un corto período de tiempo para calentarse. Según la temperatura ambiente, este período podrá variar desde aproximadamente 15 segundos (90°F) hasta 2 minutos (32°F). Un martillo nuevo requiere un período de rodaje antes de poder funcionar a pleno rendimiento. Puede que este período requiera hasta 5 horas de funcionamiento.

**Brocas con punta de carburo:** Utilizadas para taladrar piedra, hormigón, cemento, ladrillo, ladrillo de cenizas y otros no metales extraordinariamente duros. El martillo giratorio está diseñado para brocas con punta de carburo “SDS” de hasta 3/4 de pulgada de diámetro.

**MANDRIL DE 3 MORDAZAS**

El mandril de 3 mordazas con el accesorio adaptador de cuerpos SDS puede transformar la herramienta para la utilización con brocas de cuerpo recto.

Usted prolongará la vida de las brocas y realizará un trabajo mejor ejecutado si siempre pone la broca en

contacto con la pieza de trabajo ANTES de apretar el gatillo. Durante el funcionamiento, sujete el taladro firmemente y ejerza una presión moderada y uniforme. Una presión excesiva a baja velocidad hará que el martillo se detenga. Una presión demasiado pequeña no permitirá que la broca corte y producirá un exceso de fricción al patinar sobre la superficie. Esto puede ser perjudicial para el taladro y para la broca.

El cuerpo de todas las brocas para taladro se debe limpiar antes de la utilización de éstas e inmediatamente después de quitarlas.

Recuerde estas instrucciones para un funcionamiento con seguridad:

1. Algunos materiales requieren velocidades de taladrado lentas, mientras que otros requieren una velocidad de taladrado más alta para producir los mejores resultados.
2. Todas las piezas de trabajo se deben apoyar o fijar antes de taladrar y se debe ejercer una presión firme y uniforme en línea con la broca.
3. Cuando la broca atraviese la pieza de trabajo y llegue al otro lado, reduzca la presión y continúe haciendo funcionar el taladro a medida que va sacando la broca.

Los materiales tales como vidrio, porcelana, cerámica, loseta, plástico, etc., se deben taladrar a velocidades bajas con brocas para taladro y lubricantes diseñados especialmente.

### TALADRADO DE MADERA O PLÁSTICO

Si no se utiliza un bloque de refuerzo, disminuya la presión justo antes de que la broca atraviese completamente la madera para evitar el astillado. Termine el agujero desde la parte posterior inmediatamente después de que la punta atraviese la pieza de trabajo. Si la broca se atasca, invierta la operación de taladrado para ayudar a sacar la broca de la pieza de trabajo.

### TALADRADO DE METAL

Hay dos reglas para taladrar materiales duros. Primero, cuanto más duro sea el material, mayor es la presión que usted necesita ejercer sobre la herramienta. Segundo, cuanto más duro sea el material, más lenta ha de ser la velocidad. He aquí unos cuantos consejos para taladrar metal. Realice una punzonadura para marcar en el material a fin de comenzar más fácilmente. Lubrique la punta de la broca de vez en cuando con aceite para

cortar, excepto al taladrar metales blandos tales como aluminio, cobre o hierro fundido. Si el agujero que se va a taladrar es bastante grande, primero taladre un agujero más pequeño y luego agrándelo hasta el tamaño requerido; a la larga, esto suele ser más rápido. Mantenga suficiente presión para asegurar que la broca no se limita a dar vueltas sin avanzar dentro del agujero. Esto desafilará la broca y acortará mucho la vida de ésta.

### TALADRADO DE MAMPOSTERÍA

Utilice una broca para mampostería con punta de carburo para ladrillo de cenizas, argamasa, ladrillo común, piedra blanda y otros materiales. La cantidad de presión a ejercer depende del tipo de material que se está taladrando. Los materiales blandos requieren menos presión, mientras que los materiales duros necesitan más presión para evitar que la broca dé vueltas sin avanzar.

## Mantenimiento

### Servicio

**⚠ ADVERTENCIA** El mantenimiento preventivo realizado por personal no autorizado puede dar lugar a la colocación incorrecta de cables y componentes internos que podría constituir un peligro serio. Recomendamos que todo el servicio de las herramientas sea realizado por un Centro de servicio de fábrica Bosch o por una Estación de servicio Bosch autorizada.

### LUBRICACIÓN DE LAS HERRAMIENTAS

Su herramienta Bosch ha sido lubricada adecuadamente y está lista para la utilización. Se recomienda que las herramientas con engranajes se vuelvan a engrasar con un lubricante especial para engranajes en cada cambio de escobillas.

### ESCOBILLAS DE CARBÓN

Las escobillas y el conmutador de la herramienta han sido diseñados para muchas horas de servicio fiable. Para mantener un rendimiento óptimo del motor, recomendamos que cada dos a seis meses se examinen las escobillas. Sólo se deben usar escobillas de repuesto Bosch genuinas diseñadas específicamente para su herramienta.

### RODAMIENTOS

Después de 300-400 horas de funcionamiento, o después de cada segundo cambio de escobillas, los

rodamientos deben cambiarse en un Centro de servicio de fábrica Bosch o en una Estación de servicio Bosch autorizada. Los rodamientos que se vuelven ruidosos (debido a la pesada carga o al corte de materiales muy abrasivos) deben ser sustituidos inmediatamente para evitar el sobrecalentamiento o el fallo del motor.

### Limpieza

**⚠ ADVERTENCIA** Para evitar accidentes desconecte siempre la herramienta de la fuente de energía antes de la limpieza o de la realización de cualquier mantenimiento. La herramienta se puede limpiar más eficazmente con aire comprimido seco. **Use gafas de seguridad siempre que limpie herramientas con aire comprimido.**

Las aberturas de ventilación y las palancas de interruptor deben mantenerse limpias y libres de materias extrañas. No intente limpiar introduciendo objetos puntiagudos a través de las aberturas.

**⚠ PRECAUCION** Ciertos agentes de limpieza y disolventes dañan las piezas de plástico. Algunos de estos son: gasolina, tetracloruro de carbono, disolventes de limpieza clorados, amoníaco y detergentes domésticos que contienen amoníaco.

## Accesorios

**⚠ ADVERTENCIA** Si es necesario un cordón de extensión, se debe usar un cordón con conductores de tamaño adecuado que sea capaz de transportar la corriente necesaria para la herramienta. Esto evitará caídas de tensión excesivas, pérdida de potencia o recalentamiento. Las herramientas conectadas a tierra deben usar cordones de extensión de 3 hilos que tengan enchufes de 3 terminales y receptáculos para 3 terminales.

**NOTA:** Cuanto más pequeño es el número de calibre, más grueso es el cordón.

### TAMAÑOS RECOMENDADOS DE CORDONES DE EXTENSION HERRAMIENTAS DE 120 V CORRIENTE ALTERNA

Capacidad nominal en amperes de la herramienta	Tamaño del cordón en A.W.G.				Tamaños del cable en mm <sup>2</sup>			
	Longitud del cordón en pies				Longitud del cordón en metros			
	25	50	100	150	15	30	60	120
3-6	18	16	16	14	0,75	0,75	1,5	2,5
6-8	18	16	14	12	0,75	1,0	2,5	4,0
8-10	18	16	14	12	0,75	1,0	2,5	4,0
10-12	16	16	14	12	1,0	2,5	4,0	—
12-16	14	12	—	—	—	—	—	—

\* Mango auxiliar de 360°

\* Calibre de profundidad

\* Estuche de transporte

\*\* Mandril de 3 mordazas

\*\* Adaptador SDS de mandril recto

(\* = equipo estándar)

(\*\* = accesorios opcionales)

### LIMITED WARRANTY OF BOSCH PORTABLE AND BENCHTOP POWER TOOLS

Robert Bosch Tool Corporation ("Seller") warrants to the original purchaser only, that all BOSCH portable and benchtop power tools will be free from defects in material or workmanship for a period of one year from date of purchase. SELLER'S SOLE OBLIGATION AND YOUR EXCLUSIVE REMEDY under this Limited Warranty and, to the extent permitted by law, any warranty or condition implied by law, shall be the repair or replacement of parts, without charge, which are defective in material or workmanship and which have not been misused, carelessly handled, or misrepaired by persons other than Seller or Authorized Service Station. To make a claim under this Limited Warranty, you must return the complete portable or benchtop power tool product, transportation prepaid, to any BOSCH Factory Service Center or Authorized Service Station. For Authorized BOSCH Power Tool Service Stations, please refer to your phone directory.

THIS LIMITED WARRANTY DOES NOT APPLY TO ACCESSORY ITEMS SUCH AS CIRCULAR SAW BLADES, DRILL BITS, ROUTER BITS, JIGSAW BLADES, SANDING BELTS, GRINDING WHEELS AND OTHER RELATED ITEMS.

ANY IMPLIED WARRANTIES SHALL BE LIMITED IN DURATION TO ONE YEAR FROM DATE OF PURCHASE. SOME STATES IN THE U.S., SOME CANADIAN PROVINCES DO NOT ALLOW LIMITATIONS ON HOW LONG AN IMPLIED WARRANTY LASTS, SO THE ABOVE LIMITATION MAY NOT APPLY TO YOU.

IN NO EVENT SHALL SELLER BE LIABLE FOR ANY INCIDENTAL OR CONSEQUENTIAL DAMAGES (INCLUDING BUT NOT LIMITED TO LIABILITY FOR LOSS OF PROFITS) ARISING FROM THE SALE OR USE OF THIS PRODUCT. SOME STATES IN THE U.S. AND SOME CANADIAN PROVINCES DO NOT ALLOW THE EXCLUSION OR LIMITATION OF INCIDENTAL OR CONSEQUENTIAL DAMAGES, SO THE ABOVE LIMITATION OR EXCLUSION MAY NOT APPLY TO YOU.

THIS LIMITED WARRANTY GIVES YOU SPECIFIC LEGAL RIGHTS, AND YOU MAY ALSO HAVE OTHER RIGHTS WHICH VARY FROM STATE TO STATE IN THE U.S., PROVINCE TO PROVINCE IN CANADA AND FROM COUNTRY TO COUNTRY.

THIS LIMITED WARRANTY APPLIES ONLY TO PORTABLE AND BENCHTOP ELECTRIC TOOLS SOLD WITHIN THE UNITED STATES OF AMERICA, CANADA AND THE COMMONWEALTH OF PUERTO RICO. FOR WARRANTY COVERAGE WITHIN OTHER COUNTRIES, CONTACT YOUR LOCAL BOSCH DEALER OR IMPORTER.

### GARANTIE LIMITÉE DES OUTILS ÉLECTRIQUES PORTATIFS ET D'ÉTABLI BOSCH

Robert Bosch Tool Corporation (le « vendeur ») garantit à l'acheteur initial seulement que tous les outils électriques portatifs et d'établi BOSCH seront exempts de vices de matériaux ou d'exécution pendant une période d'un an depuis la date d'achat. LA SEULE OBLIGATION DU VENDEUR ET LE SEUL RECOURS DE L'ACHETEUR sous la présente garantie limitée, et en autant que la loi le permette sous toute garantie ou condition implicite qui en découlerait, sera l'obligation de remplacer ou réparer gratuitement les pièces défectueuses matériellement ou comme fabrication, pourvu que lesdites défectosités ne soient pas attribuables à un usage abusif ou à quelque réparation bricolée par quelqu'un d'autre que le vendeur ou le personnel d'une station-service agréée. Pour présenter une réclamation en vertu de cette garantie limitée, vous devez renvoyer l'outil électrique portatif ou d'établi complet, port payé, à tout centre de service agréé ou centre de service usine. Veuillez consulter votre annuaire téléphonique pour les adresses.

LA PRÉSENTE GARANTIE NE S'APPLIQUE PAS AUX ACCESSOIRES TELS QUE LAMES DE SCIES CIRCULAIRES, MÊCHES DE PERCEUSES, FERS DE TÔUPIES, LAMES DE SCIES SAUTEUSES, COURROIES DE PONÇAGE, MEULES ET AUTRES ARTICLES DU GENRE.

TOUTE GARANTIE IMPLICITE SERA LIMITÉE COMME DURÉE À UN AN À COMPTER DE LA DATE D'ACHAT. CERTAINS ÉTATS AMÉRICAINS, CERTAINES PROVINCES CANADIENNES N'ADMETTANT PAS LE PRINCIPE DE LA LIMITATION DE LA DURÉE DES GARANTIES IMPLICITES, IL EST POSSIBLE QUE LES LIMITATIONS CI-DESSUS NE S'APPLIQUENT PAS À VOTRE CAS.

EN AUCUN CAS LE VENDEUR NE SAURAIT ÊTRE TENU POUR RESPONSABLE DES INCIDENTS OU DOMMAGES INDIRECTS (INCLUANT, MAIS NE SE LIMITANT PAS AUX PERTES DE PROFITS) CONSÉCUTIFS À LA VENTE OU L'USAGE DE CE PRODUIT. CERTAINS ÉTATS AMÉRICAINS ET CERTAINES PROVINCES CANADIENNES N'ADMETTANT PAS LE PRINCIPE DE LA LIMITATION NI L'EXCLUSION DES DOMMAGES INDIRECTS ET CONSÉQUENTIELS, IL EST POSSIBLE QUE LES LIMITATIONS OU EXCLUSIONS CI-DESSUS NE S'APPLIQUENT PAS À VOTRE CAS.

LA PRÉSENTE GARANTIE VOUS ACCORDE DES DROITS BIEN DÉTERMINÉS, Y COMPRIS POSSIBLEMENT CERTAINS DROITS VARIABLES DANS LES DIFFÉRENTS ÉTATS AMÉRICAINS, PROVINCES CANADIENNE ET DE PAYS À PAYS.

CETTE GARANTIE LIMITÉE NE S'APPLIQUE QU'ÀUX OUTILS ÉLECTRIQUES PORTATIFS ET D'ÉTABLI VENDUS AUX ÉTATS-UNIS D'AMÉRIQUE, AU CANADA ET AU COMMONWEALTH DE PORTO RICO. POUR COUVERTURE DE GARANTIE DANS LES AUTRES PAYS, CONTACTEZ VOTRE IMPORTATEUR OU REVENDEUR BOSCH LOCAL.

### GARANTIA LIMITADA PARA HERRAMIENTAS MECANICAS PORTATILES Y PARA TABLERO DE BANCO BOSCH

Robert Bosch Tool Corporation ("el Vendedor") garantiza, únicamente al comprador original, que todas las herramientas mecánicas portátiles y para tablero de banco BOSCH estarán libres de defectos de material o de fabricación durante un periodo de un año a partir de la fecha de compra. LA ÚNICA OBLIGACION DEL VENDEADOR Y EL RECURSO EXCLUSIVO QUE USTED TIENE bajo esta Garantía Limitada y, hasta donde la ley lo permita, bajo cualquier garantía o condición implícita por ley, consistirá en la reparación o sustitución sin costo de las piezas que presenten defectos de material o de fabricación y que no hayan sido utilizadas incorrectamente, manejadas descuidadamente o reparadas incorrectamente por personas que no sean el Vendedor o una Estación de servicio autorizada. Para efectuar una reclamación bajo esta Garantía Limitada, usted debe devolver el producto, que consiste en la herramienta mecánica portátil o para tablero de banco completa, con el transporte pagado, a cualquier Centro de servicio de fábrica o Estación de servicio autorizada. Para Estaciones de servicio autorizadas de herramientas mecánicas BOSCH, por favor, consulte el directorio telefónico.

ESTA GARANTIA LIMITADA NO SE APLICA A ARTICULOS ACCESORIOS TALES COMO HOJAS PARA SIERRAS CIRCULARES, BROCAS PARA TALADROS, BROCAS PARA FRESADORAS, HOJAS PARA SIERRAS DE VAIVEN, CORREAS PARA LIJAR, RUEDAS DE AMOLAR Y OTROS ARTICULOS RELACIONADOS.

TODAS LAS GARANTIAS IMPLICITAS TENDRAN UNA DURACION LIMITADA A UN AÑO A PARTIR DE LA FECHA DE COMPRA. ALGUNOS ESTADOS DE LOS EE.UU. Y ALGUNAS PROVINCIAS CANADIENSES NO PERMITEN LIMITACIONES EN CUANTO A LA DURACION DE UNA GARANTIA IMPLICITA, POR LO QUE ES POSIBLE QUE LA LIMITACION ANTERIOR NO SEA APLICABLE EN EL CASO DE USTED.

EL VENDEADOR NO SERA RESPONSABLE EN NINGUN CASO DE NINGUN DAÑO INCIDENTAL O EMERGENTE (INCLUYENDO PERO NO LIMITADO A RESPONSABILIDAD POR PERDIDA DE BENEFICIOS) QUE SE PRODUZCA COMO CONSECUENCIA DE LA VENTA O UTILIZACION DE ESTE PRODUCTO. ALGUNOS ESTADOS DE LOS EE.UU. Y ALGUNAS PROVINCIAS CANADIENSES NO PERMITEN LA EXCLUSION O LIMITACION DE LOS DAÑOS INCIDENTALES O EMERGENTES, POR LO QUE ES POSIBLE QUE LA LIMITACION O EXCLUSION ANTERIOR NO SEA APLICABLE EN EL CASO DE USTED.

ESTA GARANTIA LIMITADA LE CONFIERE A USTED DERECHOS LEGALES ESPECIFICOS Y ES POSIBLE QUE USTED TAMBIEN TENGA OTROS DERECHOS QUE VARIAN DE ESTADO A ESTADO EN LOS EE.UU., DE PROVINCIA A PROVINCIA EN CANADA Y DE UN PAIS A OTRO.

ESTA GARANTIA LIMITADA SE APLICA SOLAMENTE A HERRAMIENTAS ELECTRICAS PORTATILES Y PARA TABLERO DE BANCO VENDIDAS EN LOS ESTADOS UNIDOS DE AMERICA, CANADA Y EL ESTADO LIBRE ASOCIADO DE PUERTO RICO. PARA COBERTURA DE GARANTIA EN OTROS PAISES, PONGASE EN CONTACTO CON SU DISTRIBUIDOR O IMPORTADOR LOCAL DE BOSCH.

© Robert Bosch Tool Corporation 1800 W. Central Road Mt. Prospect, IL 60056-2230

Exportado por: Robert Bosch Tool Corporation Mt. Prospect, IL 60056 -2230, E.U.A.

Importado en México por: Robert Bosch, S.A. de C.V., Calle Robert Bosch No. 405, Zona Industrial, Toluca, Edo. de México, C.P. 50070, Tel. (722) 2792300