



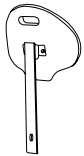
# CHAIR ASSEMBLY INSTRUCTION GUIDE

for BEVCO EVERLAST/DURA CHAIRS

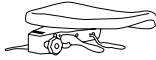
7000/7000D Series Tilt Models



## PARTS LIST



Back Support  
w/Integrated  
Support Bar  
(1)



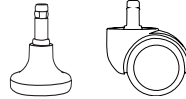
Seat w/control  
Mechanism  
(1)



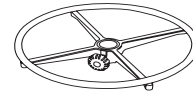
Five-star Base  
(1)



Pneumatic  
Cylinder  
(1)



Glides/Casters  
(5)

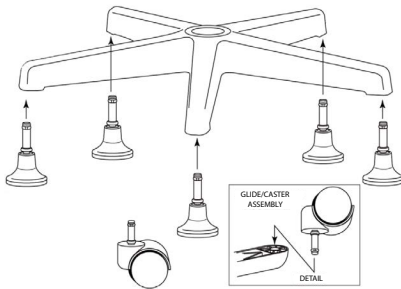


Footring  
(optional)  
(1)



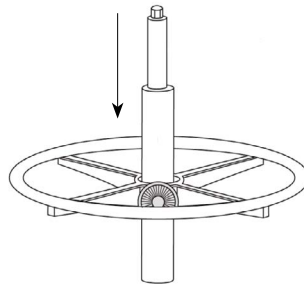
Armrests  
(optional)  
(2)  
Must be ordered  
w/Chair

**1**



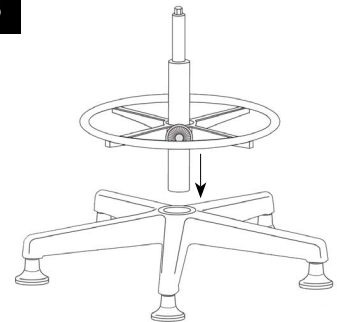
Insert glides or casters into each leg of the base.

**2**



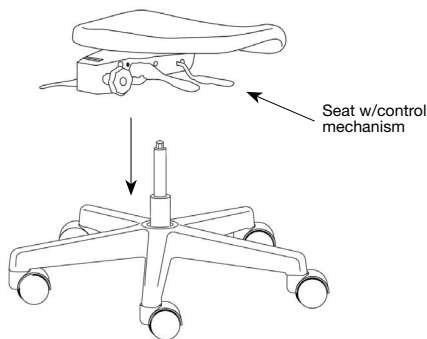
Slide footring (if enclosed) onto cylinder. Ensure the tubular ring faces upward. Tighten handwheel securely.

**3**



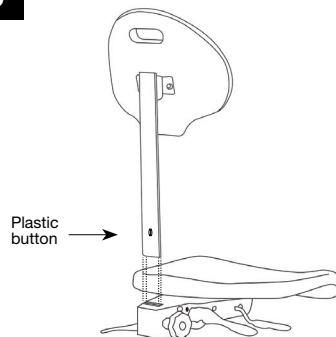
Slide the cylinder into the center of the base.

**4**



Place seat with control mechanism onto the end of the pneumatic cylinder. Sit on seat to secure fit onto cylinder.

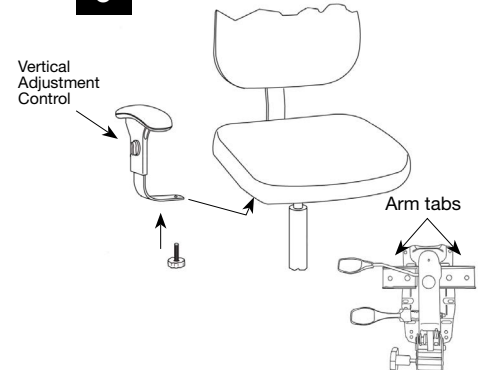
**5**



Remove plastic button from support bar connected to the backrest and slide the back support bar through the opening of the nylon insert on the control mechanism on back of seat. Tighten handwheel securely. Replace plastic button into hole in support bar.

**6**

### OPTIONAL ARMREST ASSEMBLY



Slide arm bracket into mounting plate arm tabs attached to control mechanism underneath seat. Tighten handwheel securely.